



US00D458911S

(12) **United States Design Patent**  
**Kataoka**

(10) **Patent No.:** **US D458,911 S**

(45) **Date of Patent:** **\*\* Jun. 18, 2002**

(54) **COMBINED MONITOR TELEVISION  
RECEIVER, VIDEO CAMERA AND  
SPEAKER BOX**

D433,394 S \* 11/2000 Suzuki ..... D14/126  
D439,227 S \* 3/2001 Okada ..... D14/136  
D452,232 S \* 12/2001 Hayasaka ..... D14/317

(75) Inventor: **Tetsu Kataoka**, Tokyo (JP)

\* cited by examiner

(73) Assignee: **Sony Corporation**, Tokyo (JP)

*Primary Examiner*—Raphael Barkai

(\*\*) Term: **14 Years**

(74) *Attorney, Agent, or Firm*—Rader, Fishman & Grauer,  
PLLC

(21) Appl. No.: **29/147,105**

(57) **CLAIM**

(22) Filed: **Aug. 23, 2001**

The ornamental design for a combined monitor television receiver, video camera and speaker box, as shown and described.

(51) **LOC (7) Cl.** ..... **14-03**

(52) **U.S. Cl.** ..... **D14/129**

(58) **Field of Search** ..... D14/125–136,  
D14/371, 314, 317, 374, 168, 358; D16/202;  
379/419, 420, 428, 440, 399, 412; 455/550–575,  
90; 348/14.01, 14.02; 312/7.2; 248/917–924

**DESCRIPTION**

(56) **References Cited**

**U.S. PATENT DOCUMENTS**

D300,026 S \* 2/1989 Pace ..... D14/135  
D381,651 S \* 7/1997 Banik ..... D14/317  
5,880,928 A \* 3/1999 Ma ..... 361/681  
D419,555 S \* 1/2000 Thomson ..... D14/168  
D432,126 S \* 10/2000 Goo ..... D14/374

FIG. 1 is a top, front, right perspective view of a combined monitor television receiver, video camera and speaker box showing my new design;

FIG. 2 is a top, rear, left perspective view thereof;

FIG. 3 is a top plan view thereof;

FIG. 4 is a bottom plan view thereof;

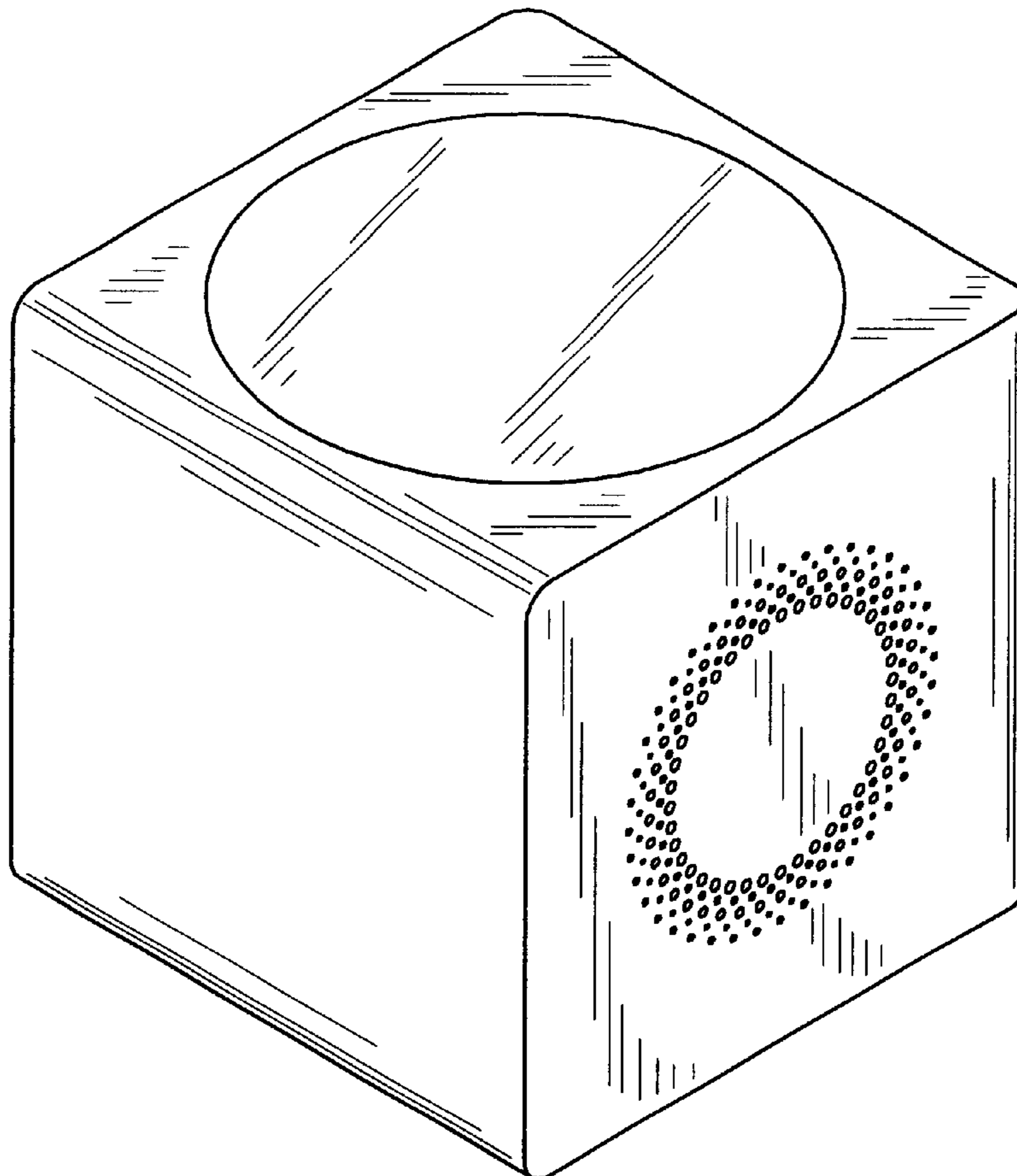
FIG. 5 is a right side elevational view thereof;

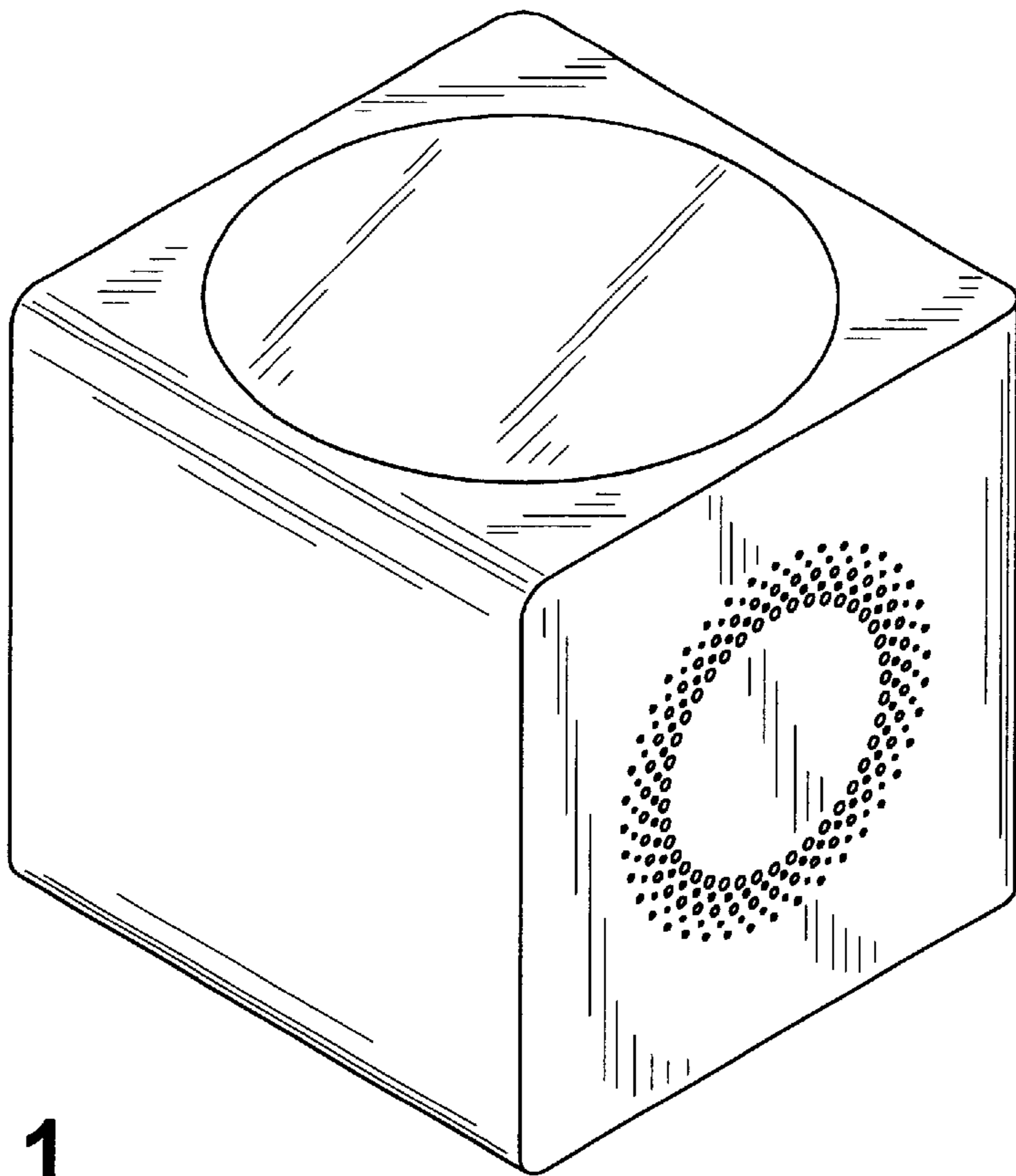
FIG. 6 is a left side elevational view thereof;

FIG. 7 is a rear elevational view thereof; and,

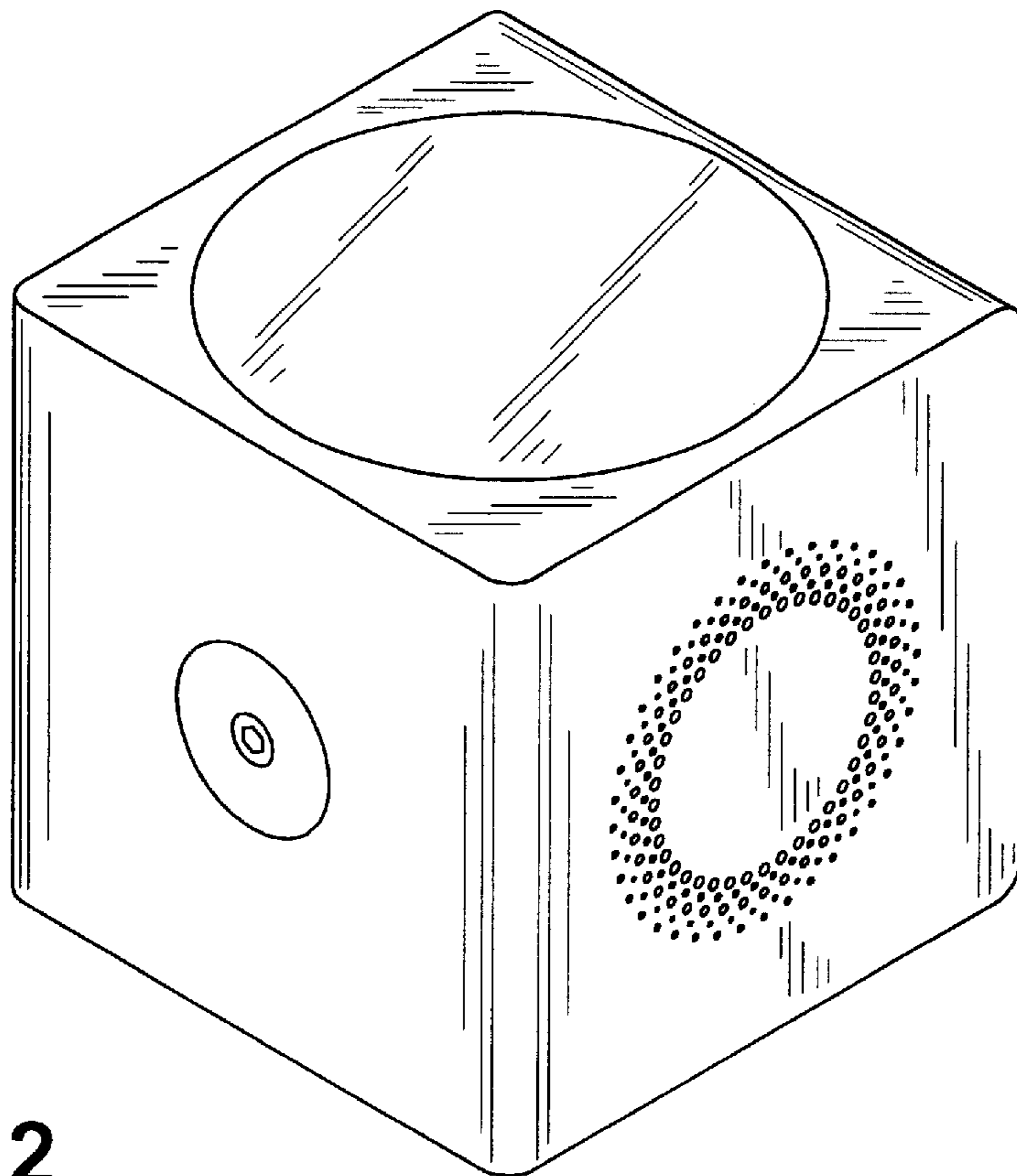
FIG. 8 is a front elevational view.

**1 Claim, 4 Drawing Sheets**

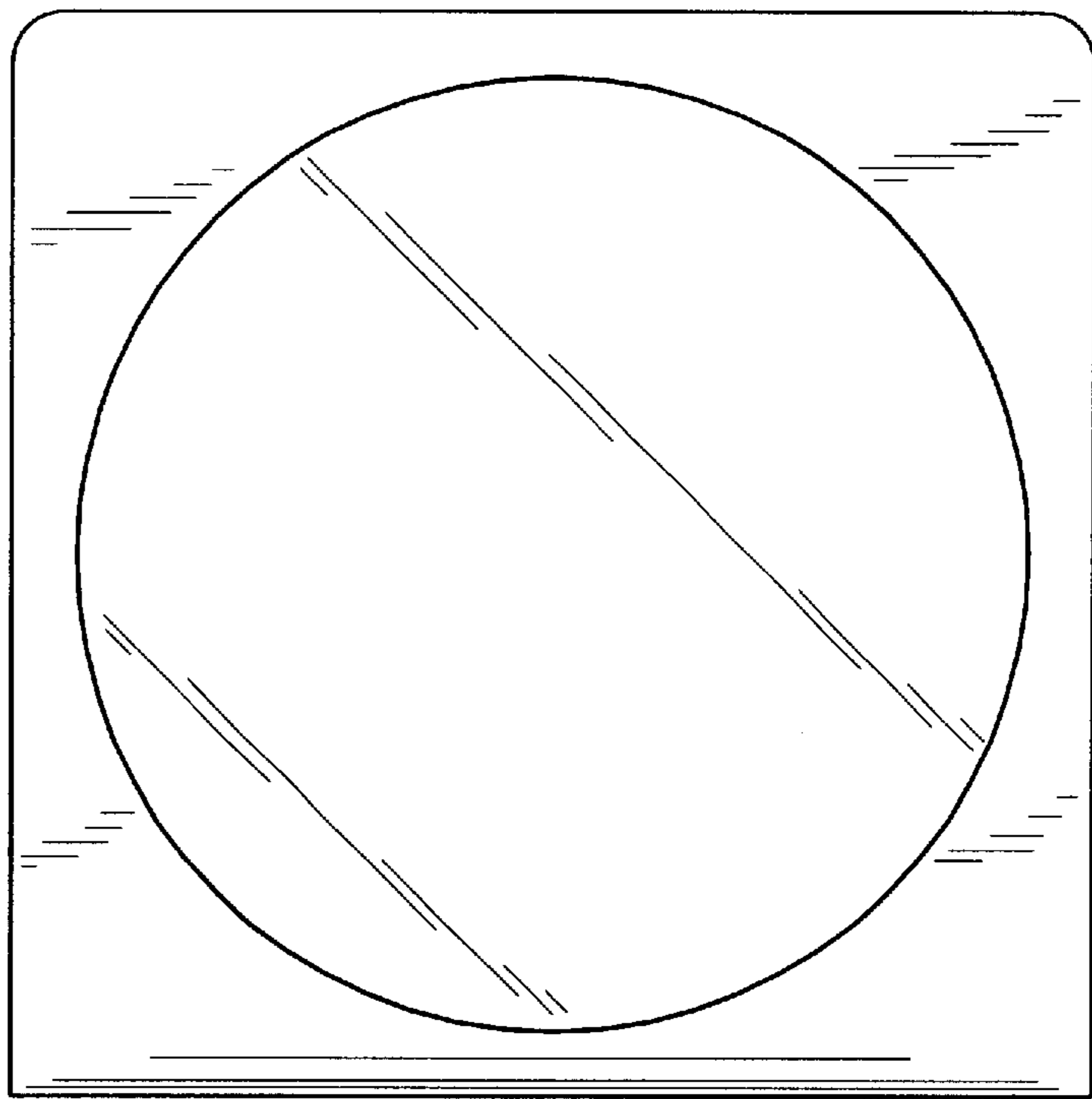




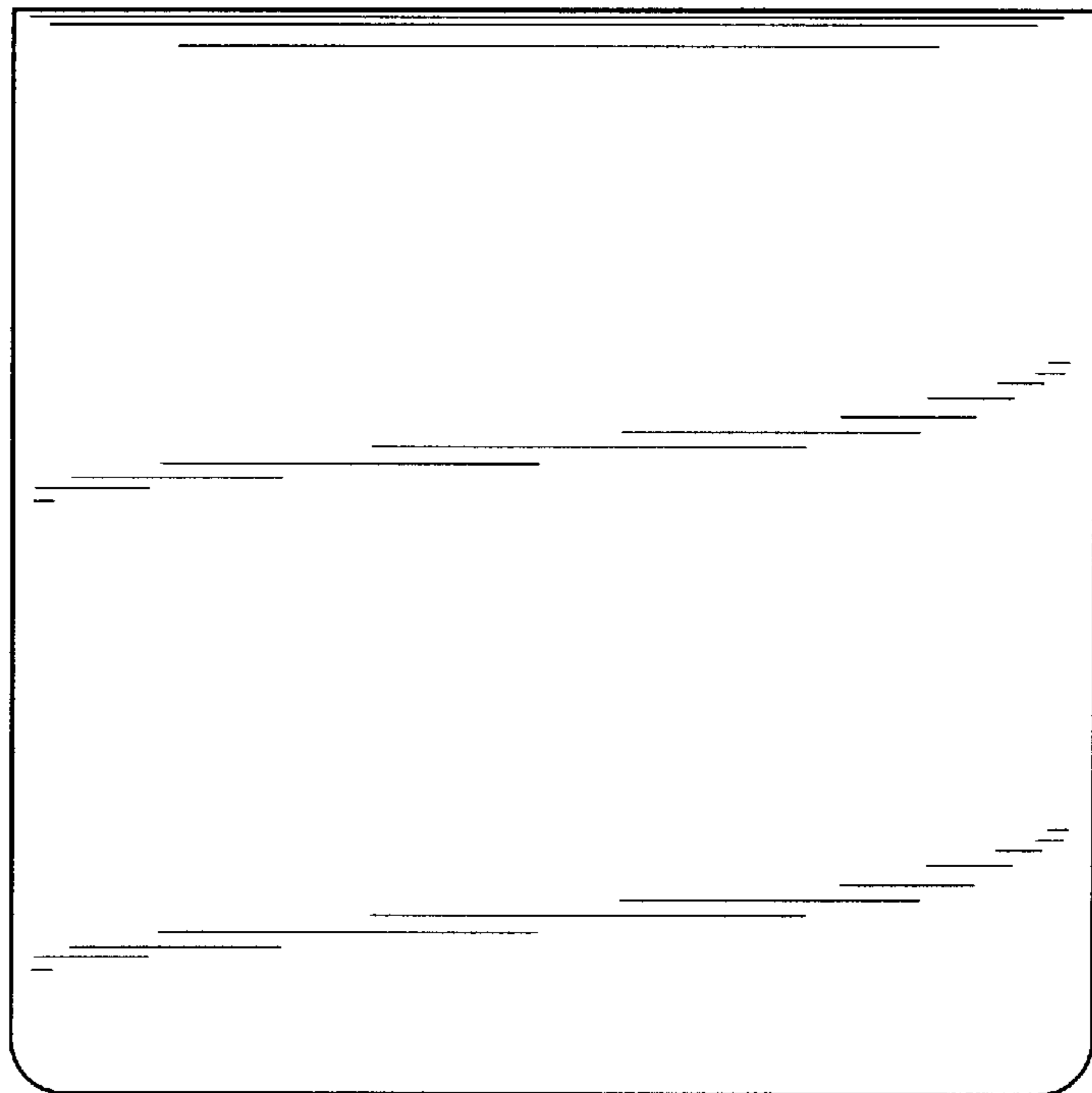
**Fig. 1**



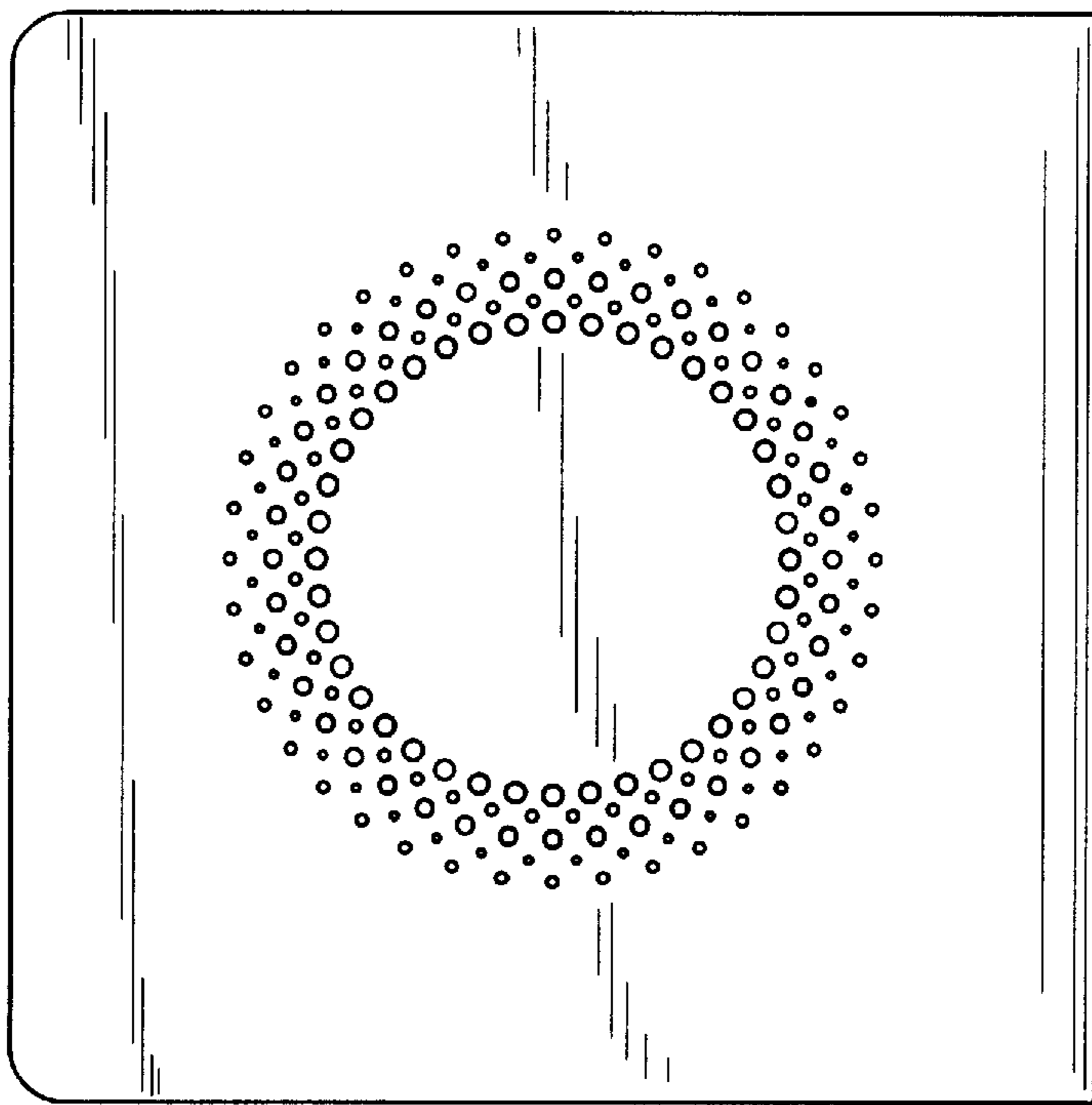
**Fig. 2**



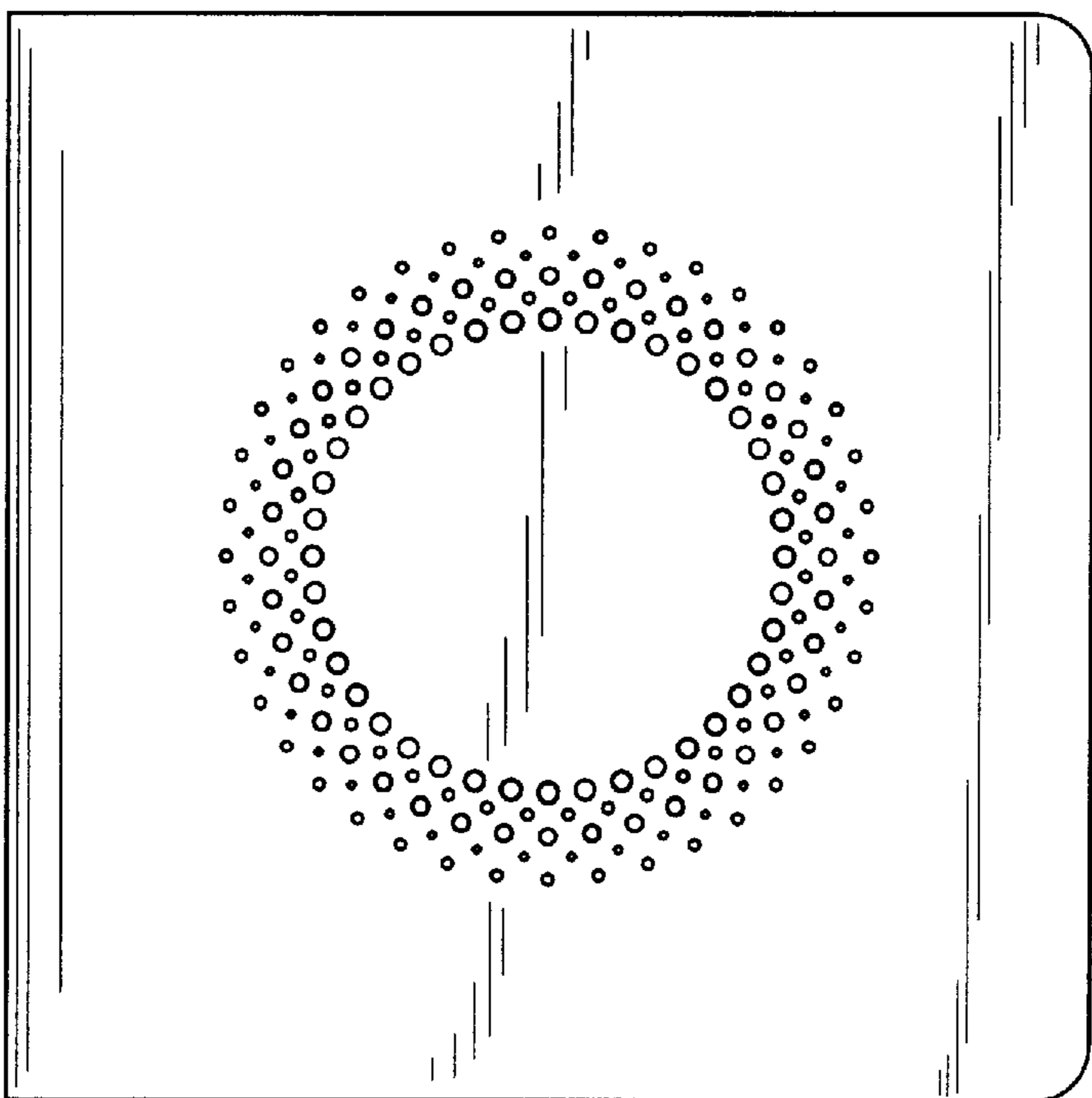
**Fig. 3**



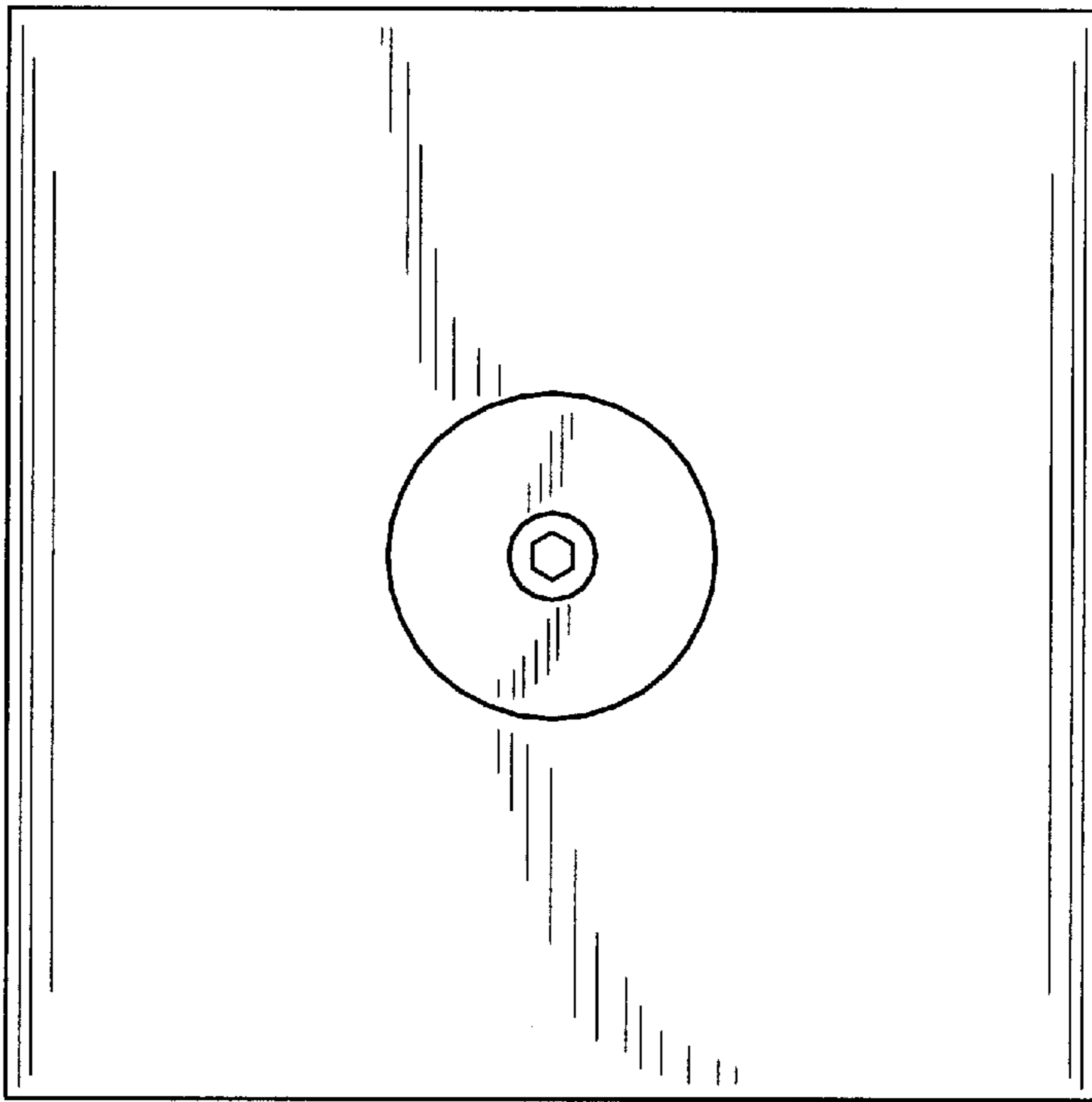
**Fig. 4**



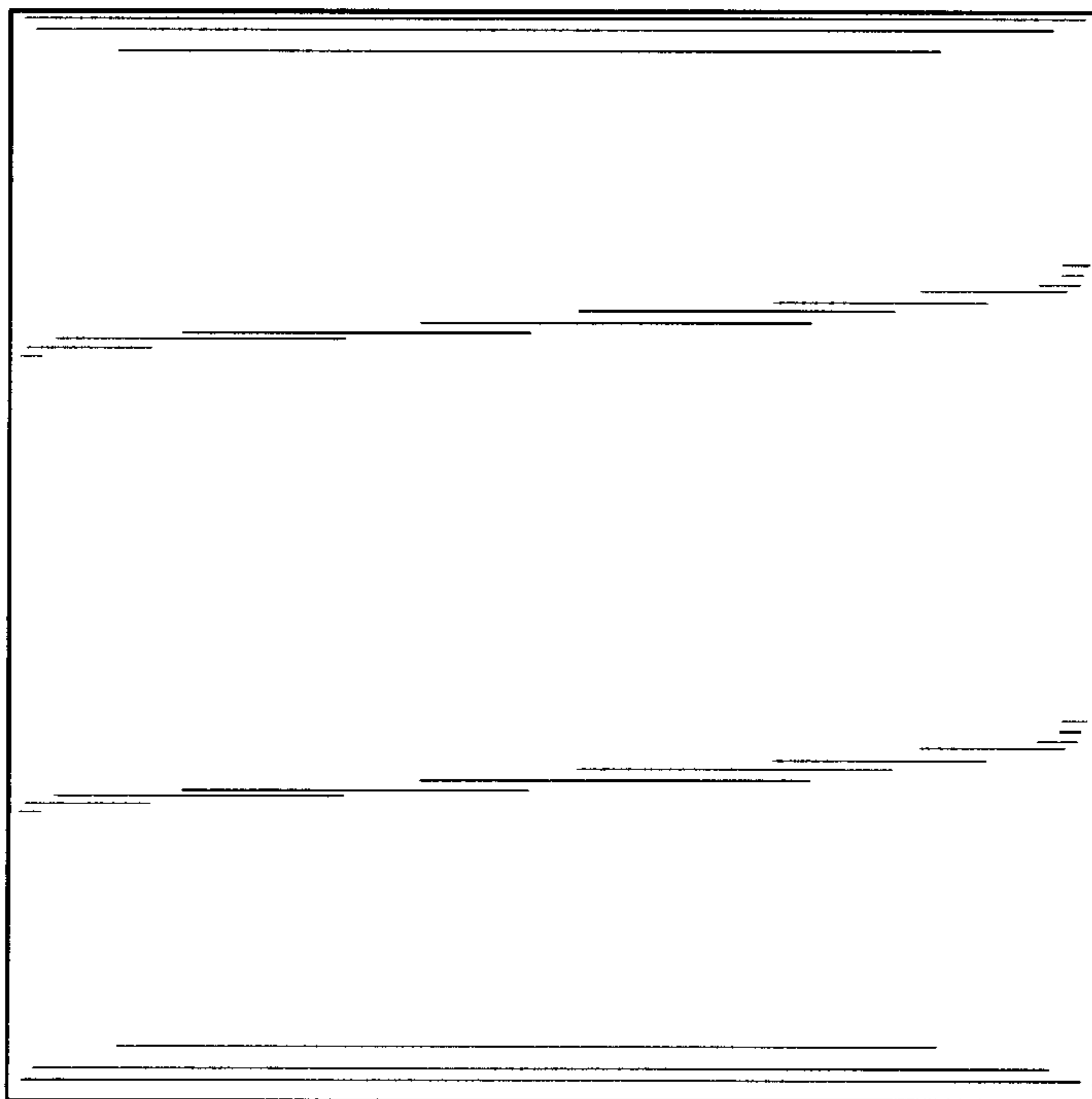
**Fig. 5**



**Fig. 6**



**Fig. 7**



**Fig. 8**