



US00D458910S

(12) **United States Design Patent**
Kita

(10) **Patent No.:** **US D458,910 S**
(45) **Date of Patent:** **** Jun. 18, 2002**

(54) **TELEVISION SET**

(75) Inventor: **Toshiyuki Kita**, Osaka-fu (JP)

(73) Assignee: **Sharp Kabushiki Kaisha**, Osaka (JP)

(**) Term: **14 Years**

(21) Appl. No.: **29/143,534**

(22) Filed: **Jun. 18, 2001**

(30) **Foreign Application Priority Data**

Dec. 18, 2000 (JP) 2000-036138

(51) **LOC (7) Cl.** **14-03**

(52) **U.S. Cl.** **D14/126**

(58) **Field of Search** D14/125-136,
D14/239, 371, 374-375; 312/7.2; 348/836,
838, 180, 184, 325, 739; 345/905, 104,
133, 168, 87, 173; 248/917-924; 341/12

(56) **References Cited**

U.S. PATENT DOCUMENTS

- D387,041 S * 12/1997 Horiki et al. D14/374
- D412,166 S * 7/1999 Kumagai D14/126
- D421,601 S * 3/2000 Chou D14/375
- D422,978 S * 4/2000 Hirota D14/374

- D427,169 S 6/2000 Saeki et al.
- D429,227 S 8/2000 Shimizu
- D431,537 S 10/2000 Saeki et al.
- D438,848 S 3/2001 Kita
- D439,224 S 3/2001 Kita
- D439,225 S 3/2001 Kita

* cited by examiner

Primary Examiner—Raphael Barkai

(74) *Attorney, Agent, or Firm*—Nixon & Vanderhye

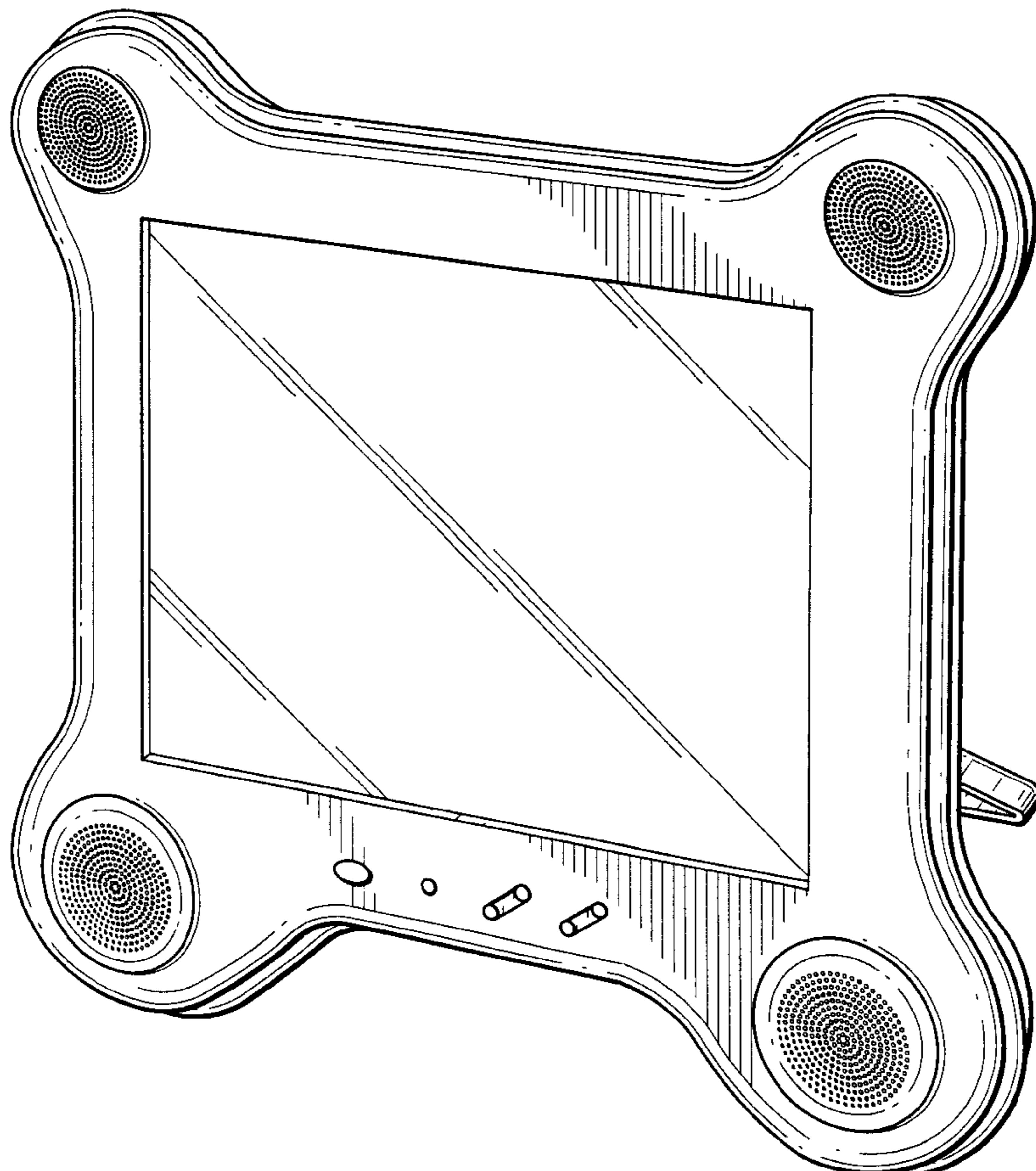
(57) **CLAIM**

The ornamental design for a “television set”, as shown and described.

DESCRIPTION

FIG. 1 is a top, front and right side perspective view of a television set according to my design;
 FIG. 2 is a front elevational view thereof;
 FIG. 3 is a top plan view thereof;
 FIG. 4 is a rear elevational view thereof;
 FIG. 5 is a bottom plan view thereof;
 FIG. 6 is a right side elevational view thereof;
 FIG. 7 is a left side elevational view thereof; and,
 FIG. 8 is a top, rear and left side perspective view thereof.

1 Claim, 6 Drawing Sheets



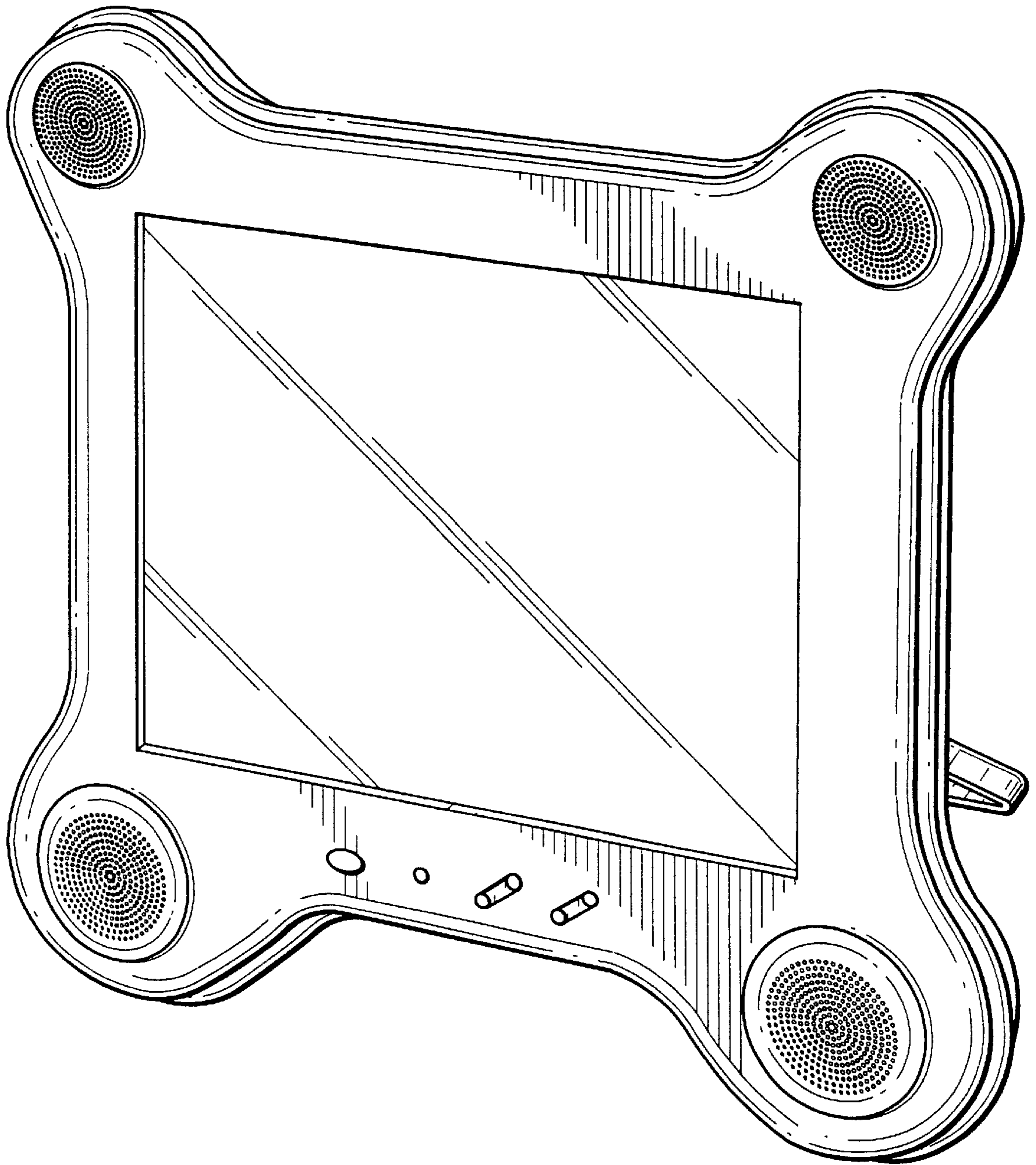


Fig. 1

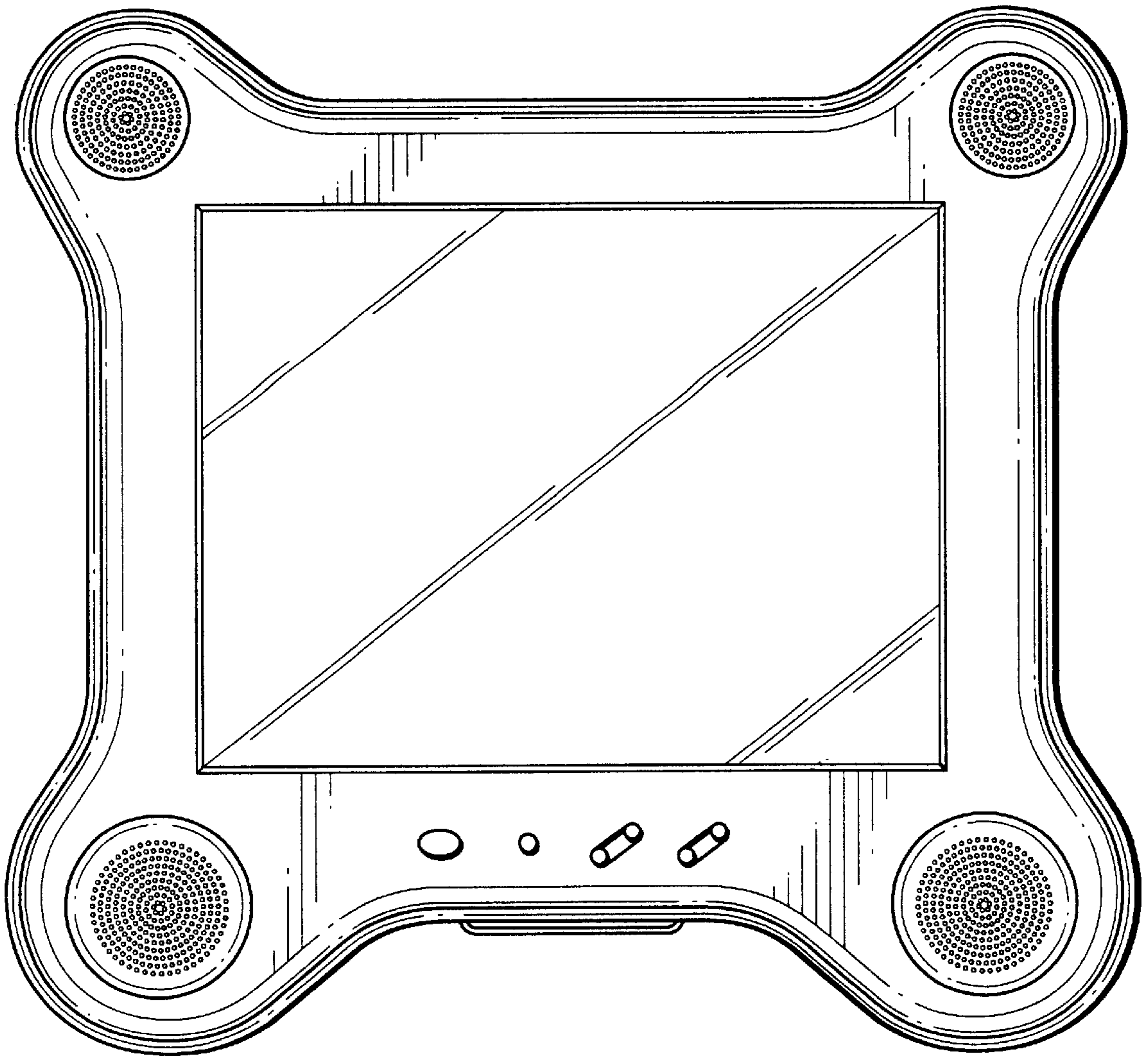


Fig. 2

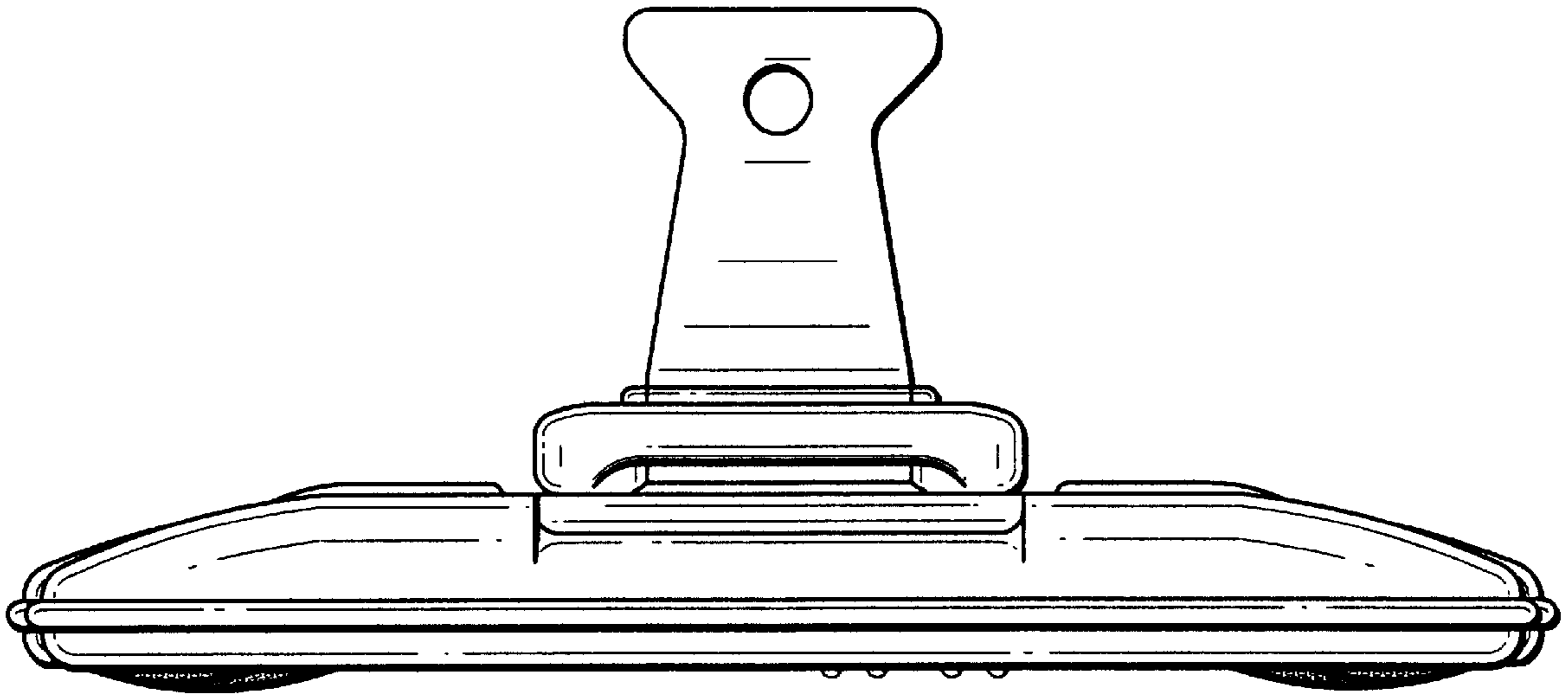


Fig. 3

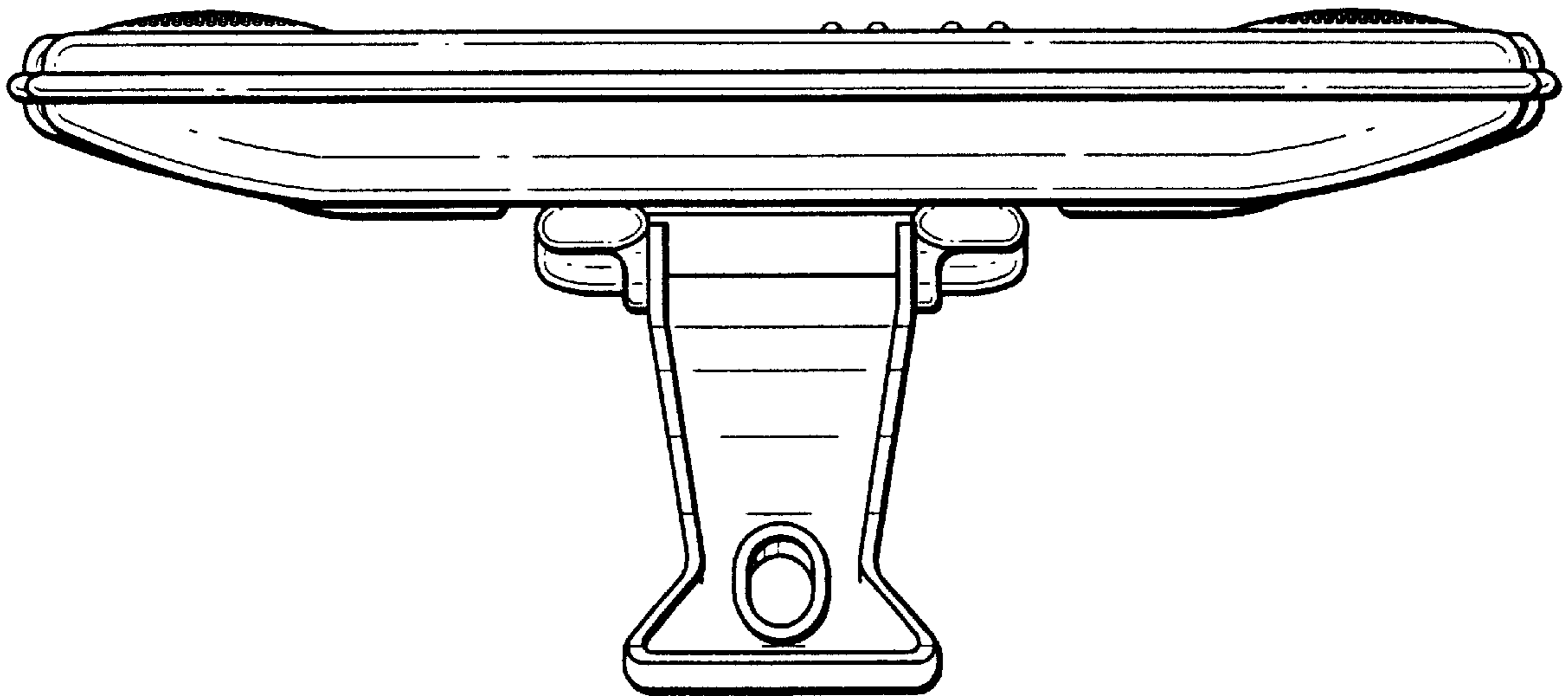


Fig. 5

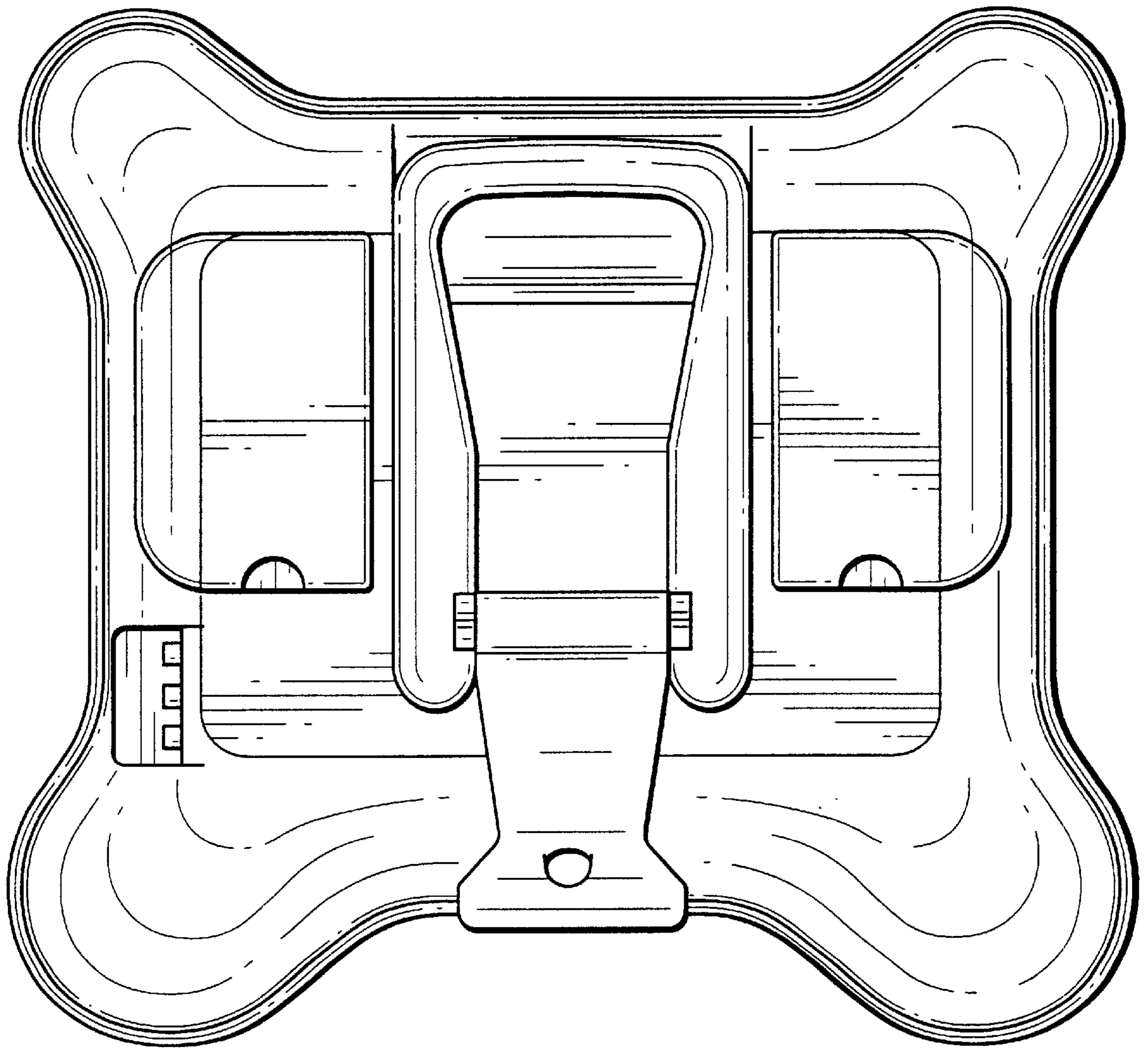


Fig. 4

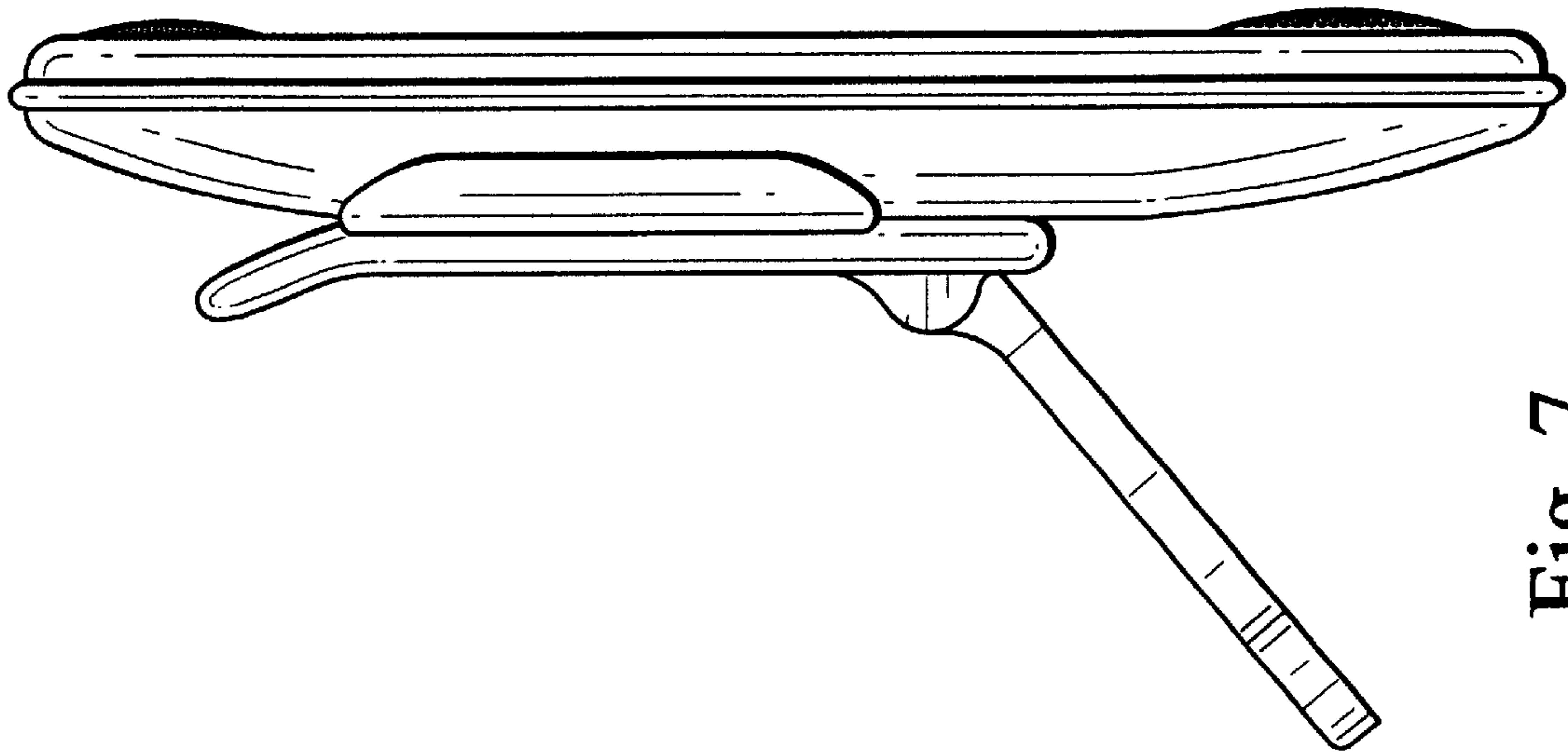


Fig. 7

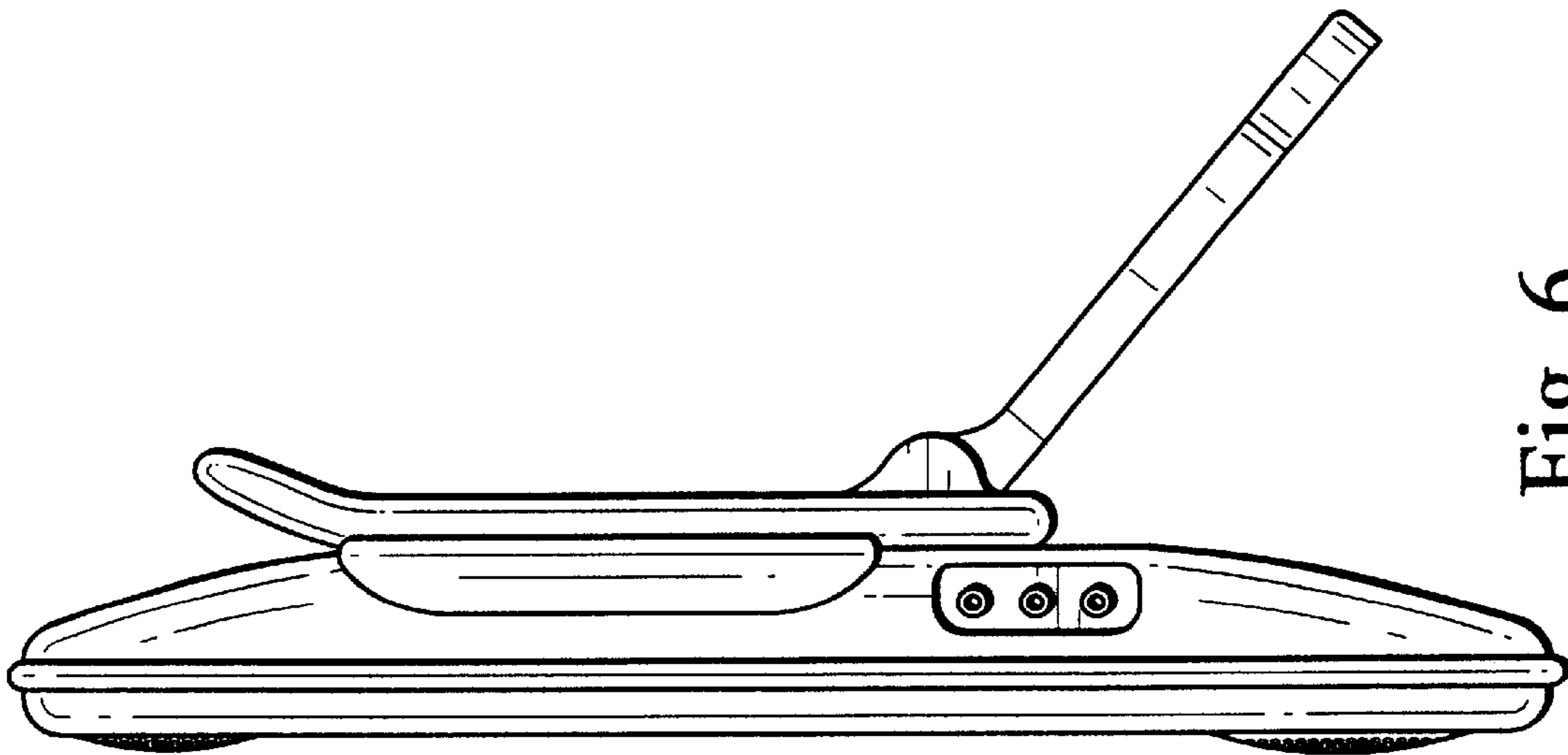


Fig. 6

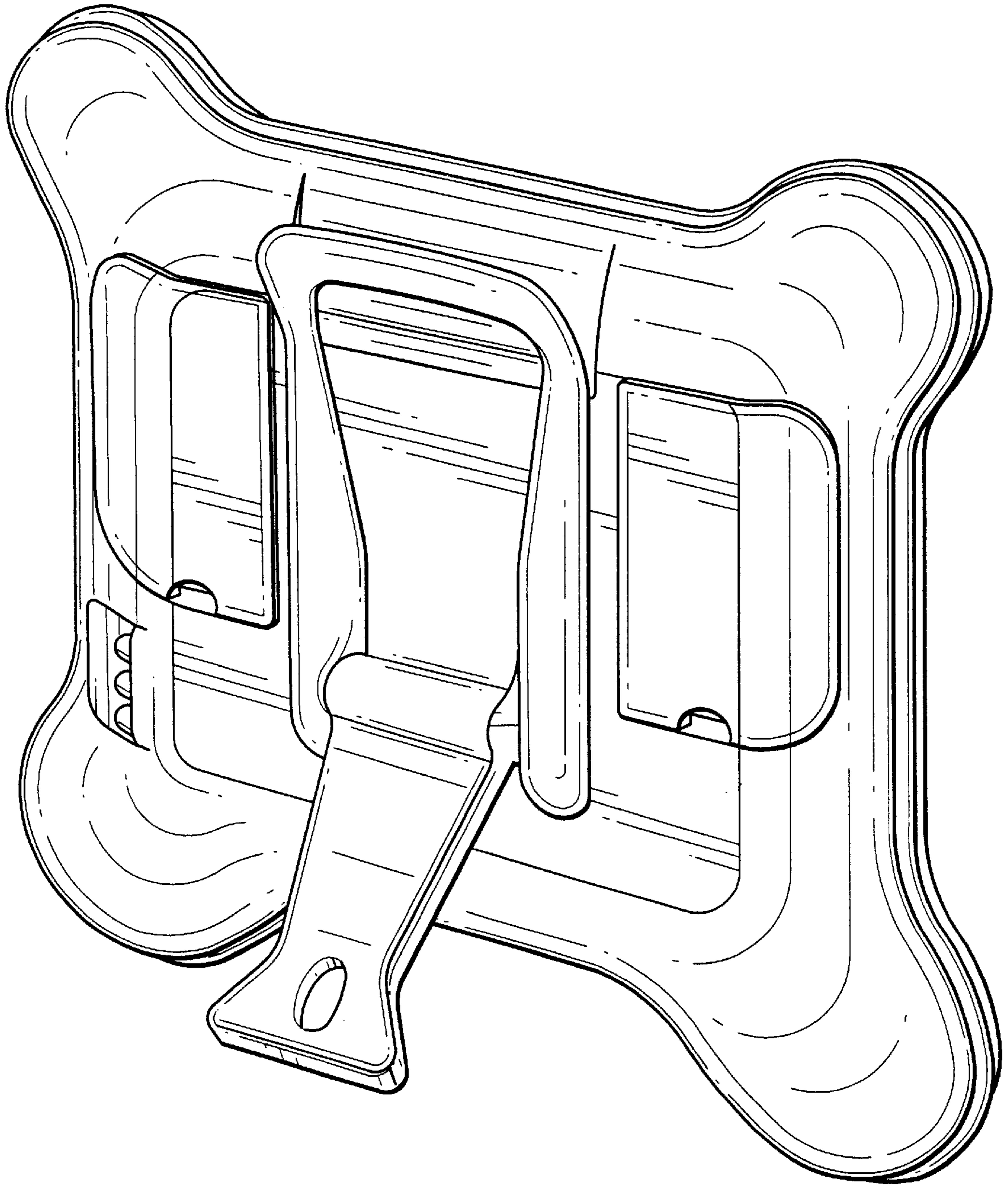


Fig. 8