



US00D458907S

(12) **United States Design Patent**
Morimiya

(10) **Patent No.:** **US D458,907 S**

(45) **Date of Patent:** **** Jun. 18, 2002**

(54) **SEMICONDUCTOR ELEMENT**

6,166,913 A * 12/2000 Fun et al. 361/737

(75) Inventor: **Yuji Morimiya**, Tokyo (JP)

OTHER PUBLICATIONS

(73) Assignee: **Sony Corporation**, Tokyo (JP)

What's SD Memory Card? PANASONIC SD TM 64MB
Sep. 30, 2000.

(**) Term: **14 Years**

Sony [http://www.world.sony.com/JP/News/Press/200004/00-020/Nov. 24, 2000.](http://www.world.sony.com/JP/News/Press/200004/00-020/Nov.24,2000)

(21) Appl. No.: **29/136,003**

* cited by examiner

(22) Filed: **Jan. 24, 2001**

(51) **LOC (7) Cl.** **13-03**

Primary Examiner—Ted Shooman

(52) **U.S. Cl.** **D13/182**

Assistant Examiner—Selina Sikder

(58) **Field of Search** D13/105, 107,
D13/114, 110, 117, 182; 174/52.1, 52.2,
52.4, 52.5; 361/679, 728, 736, 737, 742,
752, 802, 818; 257/679; 439/328, 377

(74) *Attorney, Agent, or Firm*—Rader, Fishman & Grauer,
PLLC

(57) **CLAIM**

(56) **References Cited**

The ornamental design for a semiconductor element, as
shown and described.

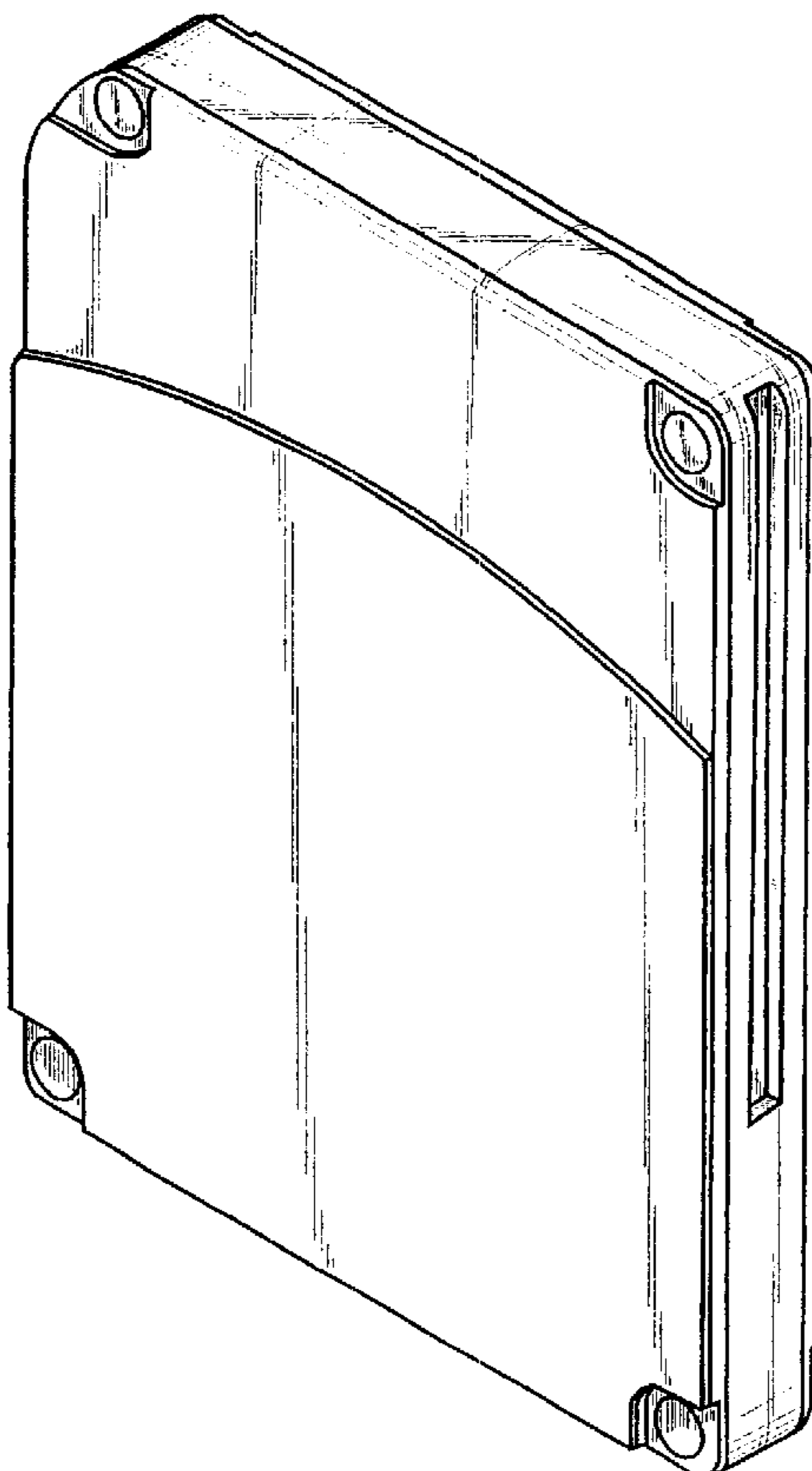
U.S. PATENT DOCUMENTS

DESCRIPTION

D298,327 S	*	11/1988	Kimura	D14/114
D356,291 S	*	3/1995	Kawamura	D13/110
5,548,485 A	*	8/1996	Bethurum et al.	361/737
D375,937 S	*	11/1996	Mergenthaler et al.	D13/110
D376,133 S	*	12/1996	Kerklaan	D13/182
D379,350 S	*	5/1997	Kerklaan	D13/182
D421,597 S		3/2000	Oba et al.		
D421,967 S		3/2000	Oba et al.		
D427,159 S	*	6/2000	Oba	D13/182
D432,505 S	*	10/2000	Oba et al.	D13/182

FIG. 1 is a perspective view of a semiconductor element
showing my new design;
FIG. 2 is a front elevational view thereof;
FIG. 3 is a rear elevational view thereof;
FIG. 4 is a left side elevational view thereof;
FIG. 5 is a right side elevational view thereof;
FIG. 6 is a top plan view thereof; and,
FIG. 7 is a bottom plan view thereof.

1 Claim, 4 Drawing Sheets



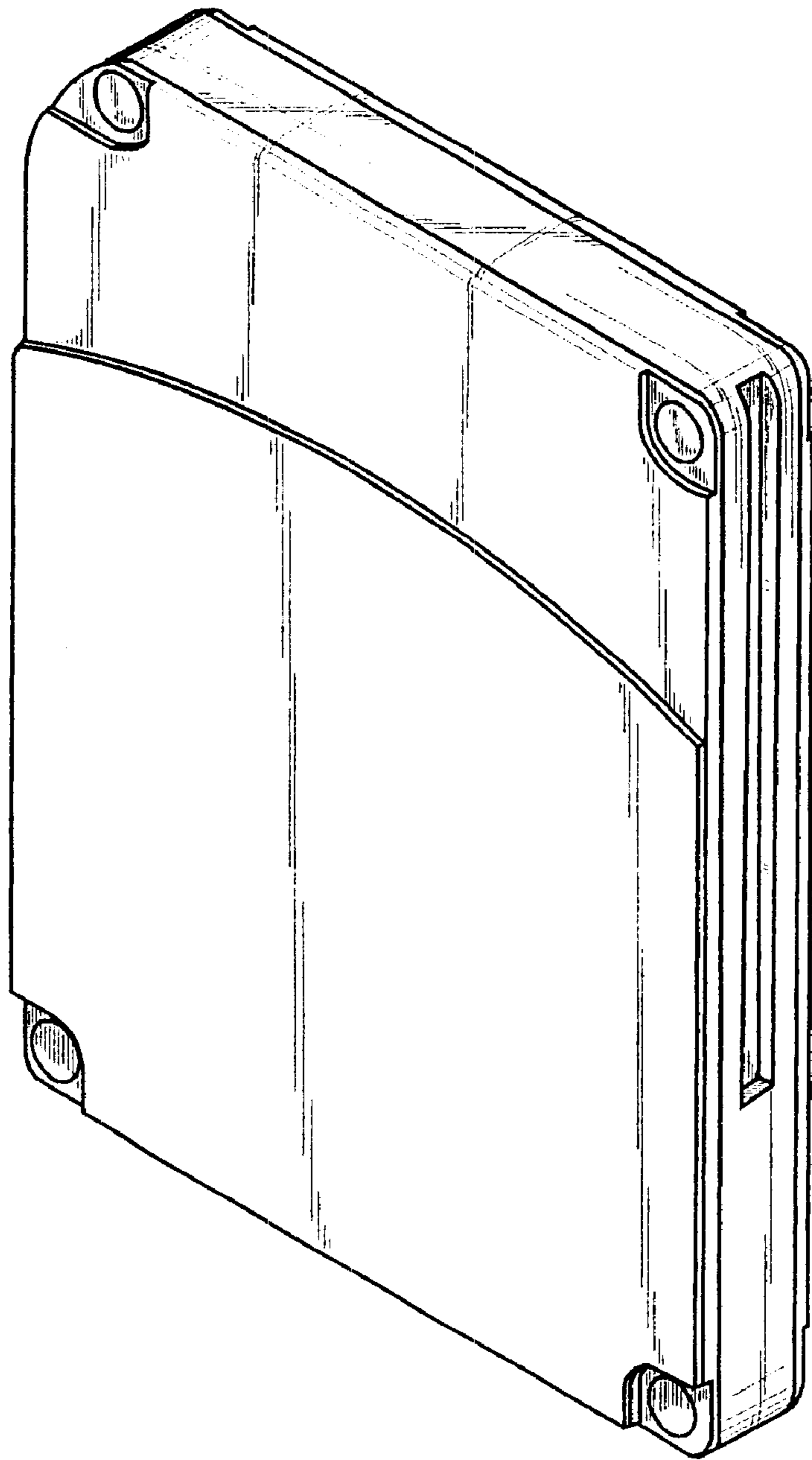


Fig. 1

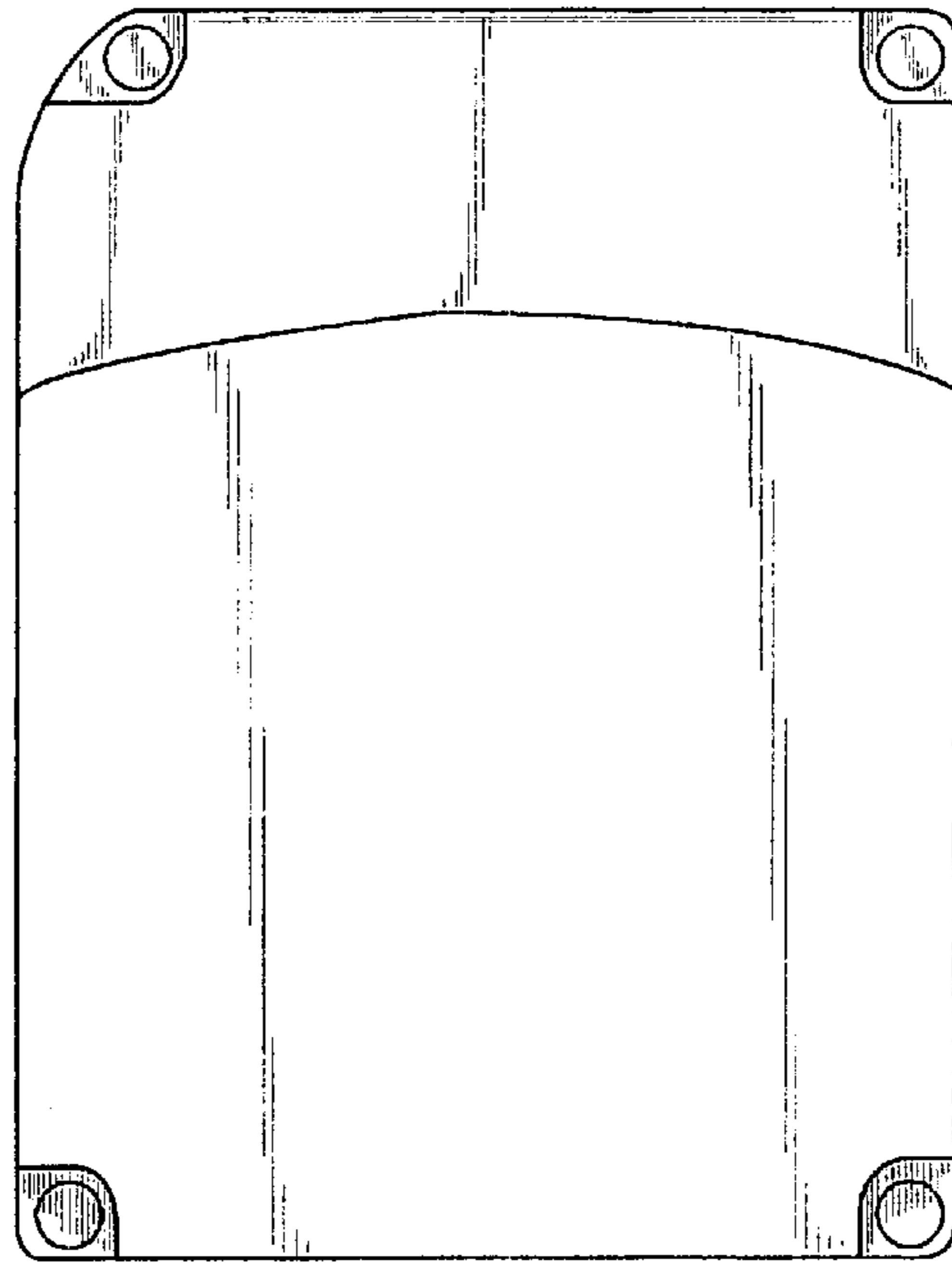


Fig. 2

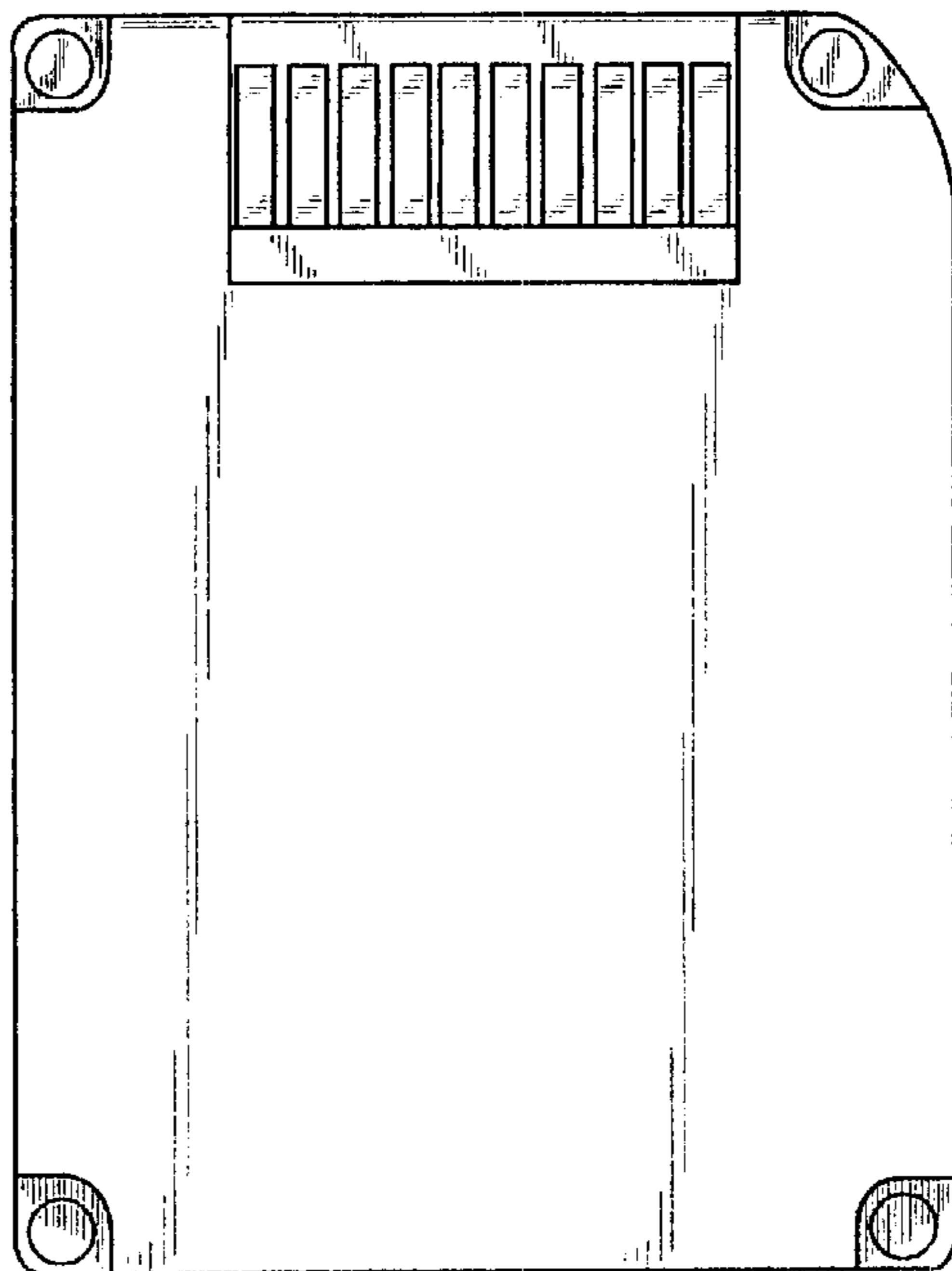


Fig. 3



Fig. 4



Fig. 5

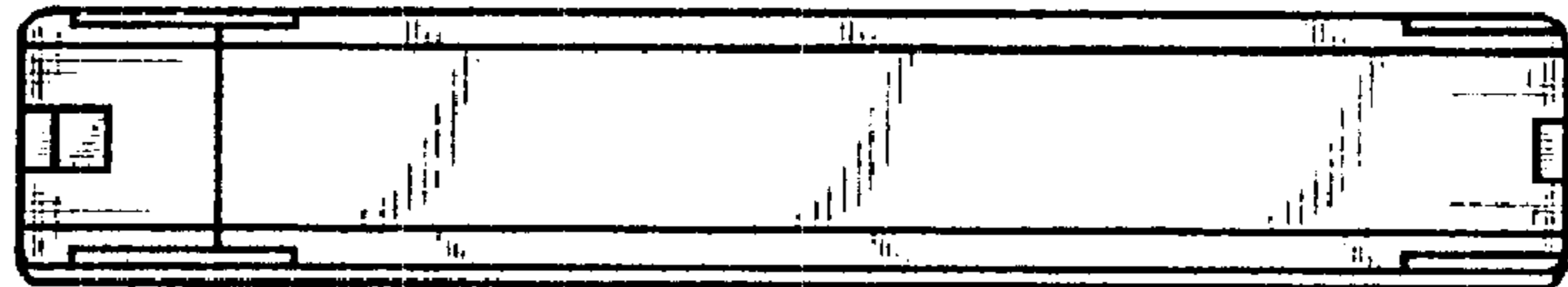


Fig. 6

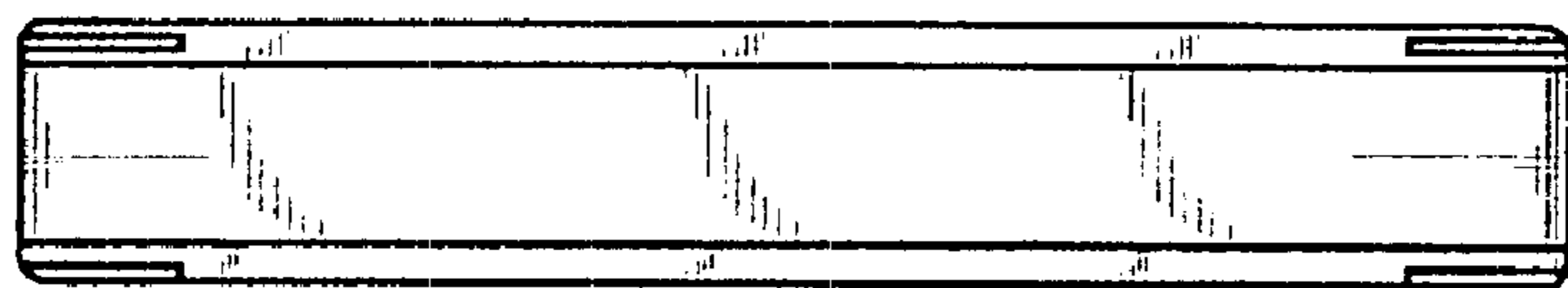


Fig. 7