



US00D458903S

(12) **United States Design Patent**
Ohbayashi et al.

(10) **Patent No.:** **US D458,903 S**
(45) **Date of Patent:** **** Jun. 18, 2002**

(54) **CONNECTOR WITH A SHUTTER FOR PHOTOELECTRIC CONVERSION**

D451,472 S * 12/2001 Suzuki D13/133

* cited by examiner

(75) Inventors: **Yoshiaki Ohbayashi**, Nara; **Keiji Mine**, Yao; **Hiroshi Nakagawa**, Kyoto, all of (JP)

Primary Examiner—Joel Sincavage
(74) *Attorney, Agent, or Firm*—Jones, Tullar & Cooper, P.C.

(73) Assignee: **Hosiden Corporation**, Osaka (JP)

(57) **CLAIM**

(**) Term: **14 Years**

The ornamental design for a connector with a shutter for photoelectric conversion, as shown and described.

(21) Appl. No.: **29/145,359**

DESCRIPTION

(22) Filed: **Jul. 23, 2001**

(51) **LOC (7) Cl.** **13-03**

(52) **U.S. Cl.** **D13/147**

(58) **Field of Search** D13/133; 439/188, 439/668, 669

FIG. 1 is a front elevation view of a connector with a shutter for photoelectric conversion showing our new design; FIG. 2 is a rear elevation view thereof; FIG. 3 is a top plan view thereof; FIG. 4 is a bottom plan view thereof; FIG. 5 is a left side view thereof; FIG. 6 is a right side view thereof; FIG. 7 is a left side view thereof in the position wherein a shutter is entirely opened; and, FIG. 8 is a left side view thereof in the position wherein a shutter is half opened.

(56) **References Cited**

U.S. PATENT DOCUMENTS

6,077,126	A	*	6/2000	Peng	439/668
6,220,898	B1	*	4/2001	Wu	439/668
6,231,396	B1	*	5/2001	Huang	439/668
6,312,274	B1	*	11/2001	Lin	439/188
6,319,030	B1	*	11/2001	Wu	439/188

1 Claim, 4 Drawing Sheets

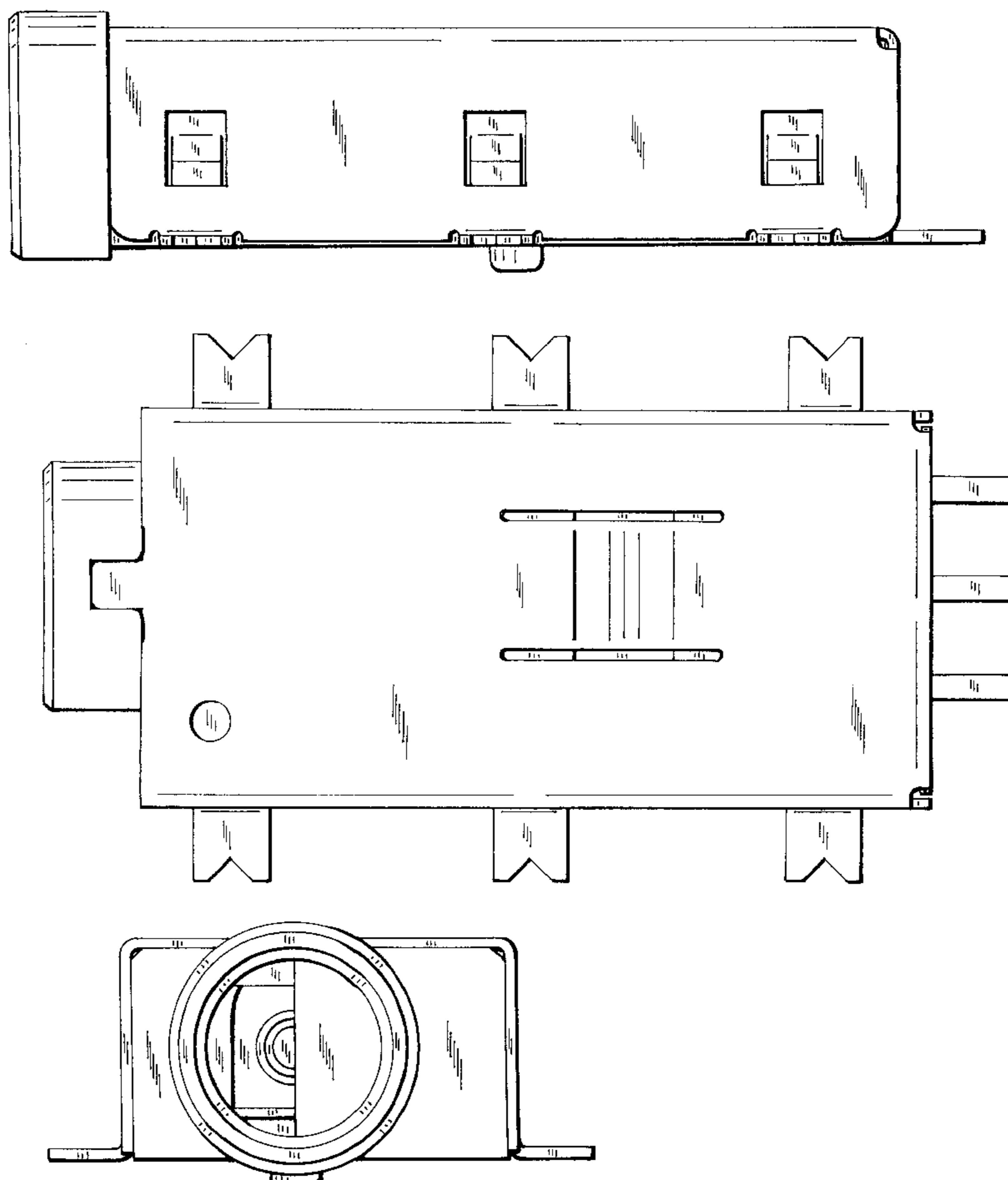


Fig. 1

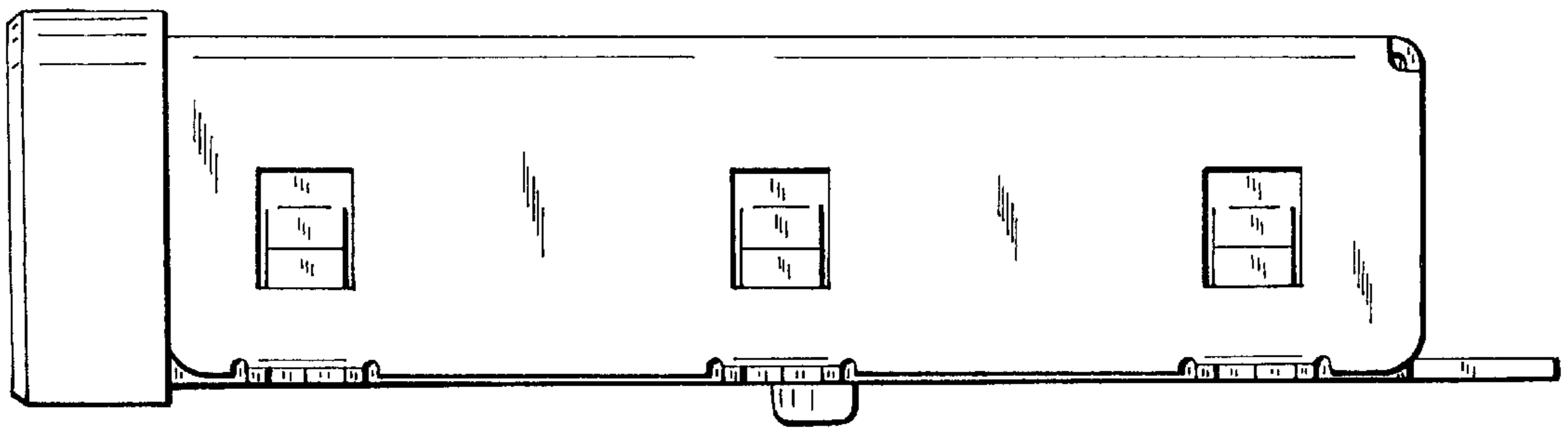


Fig. 2

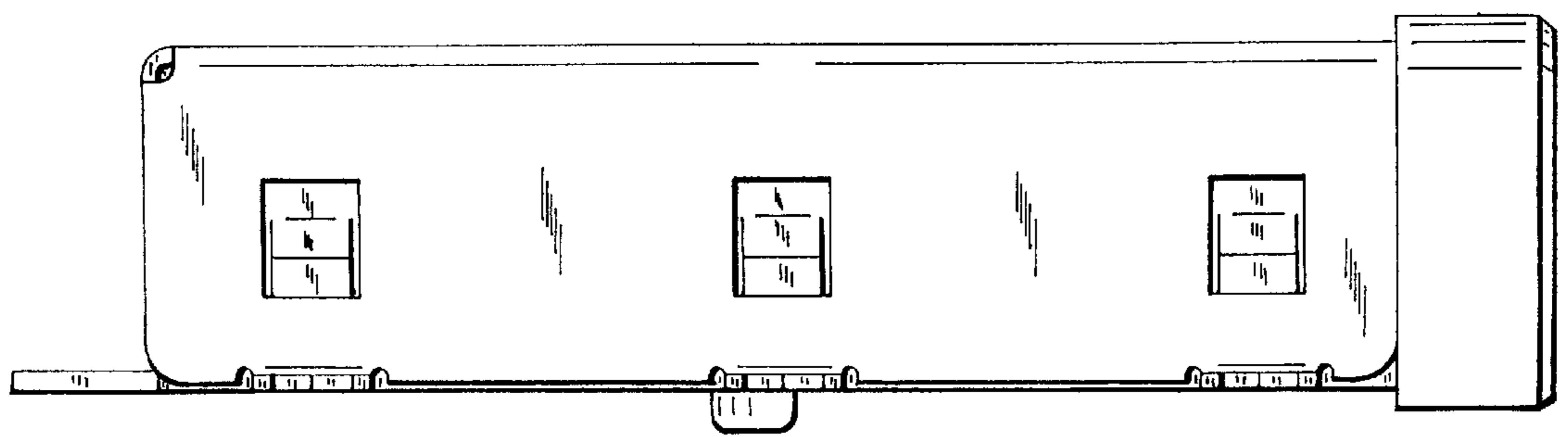


Fig. 3

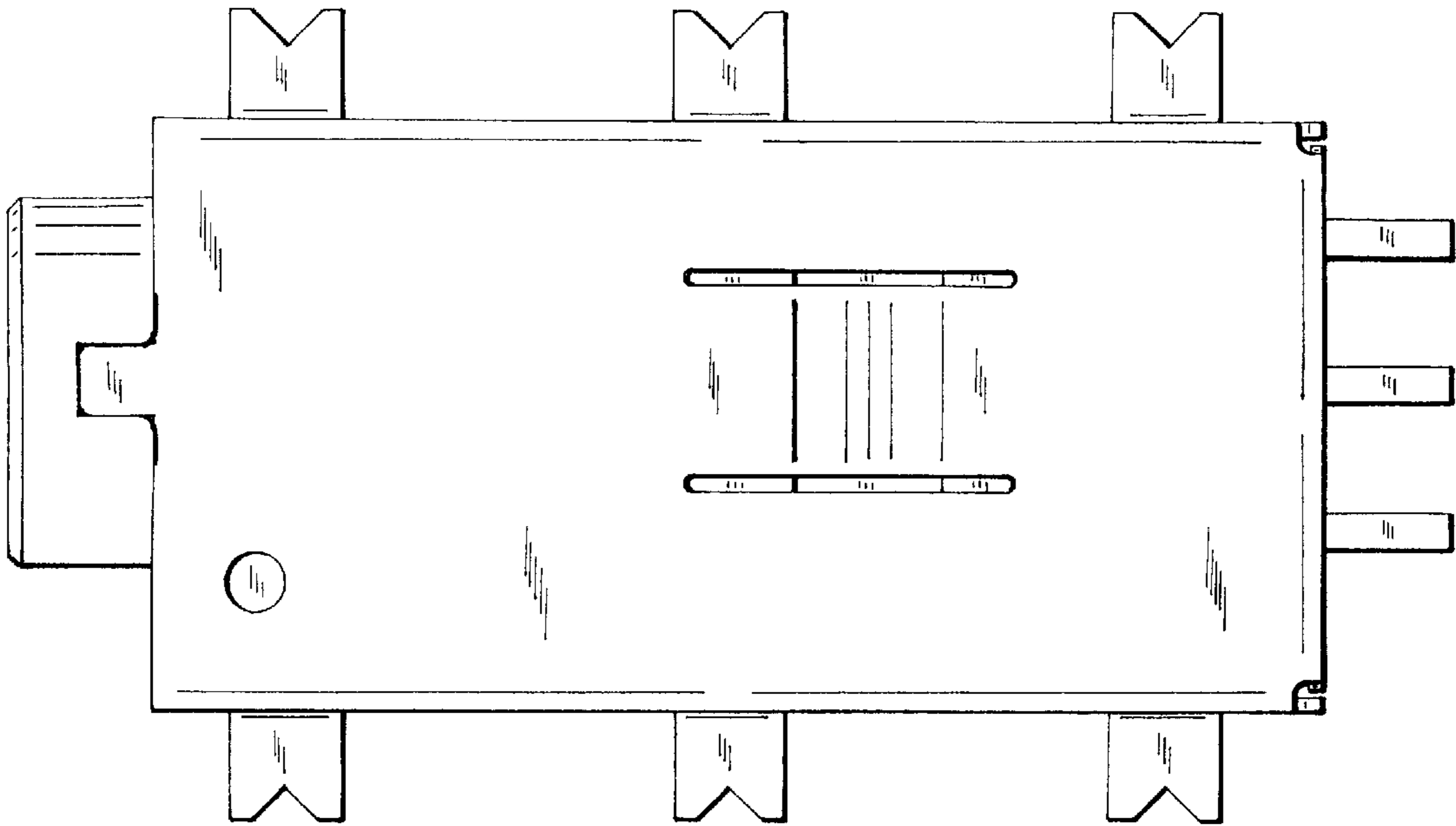


Fig. 4

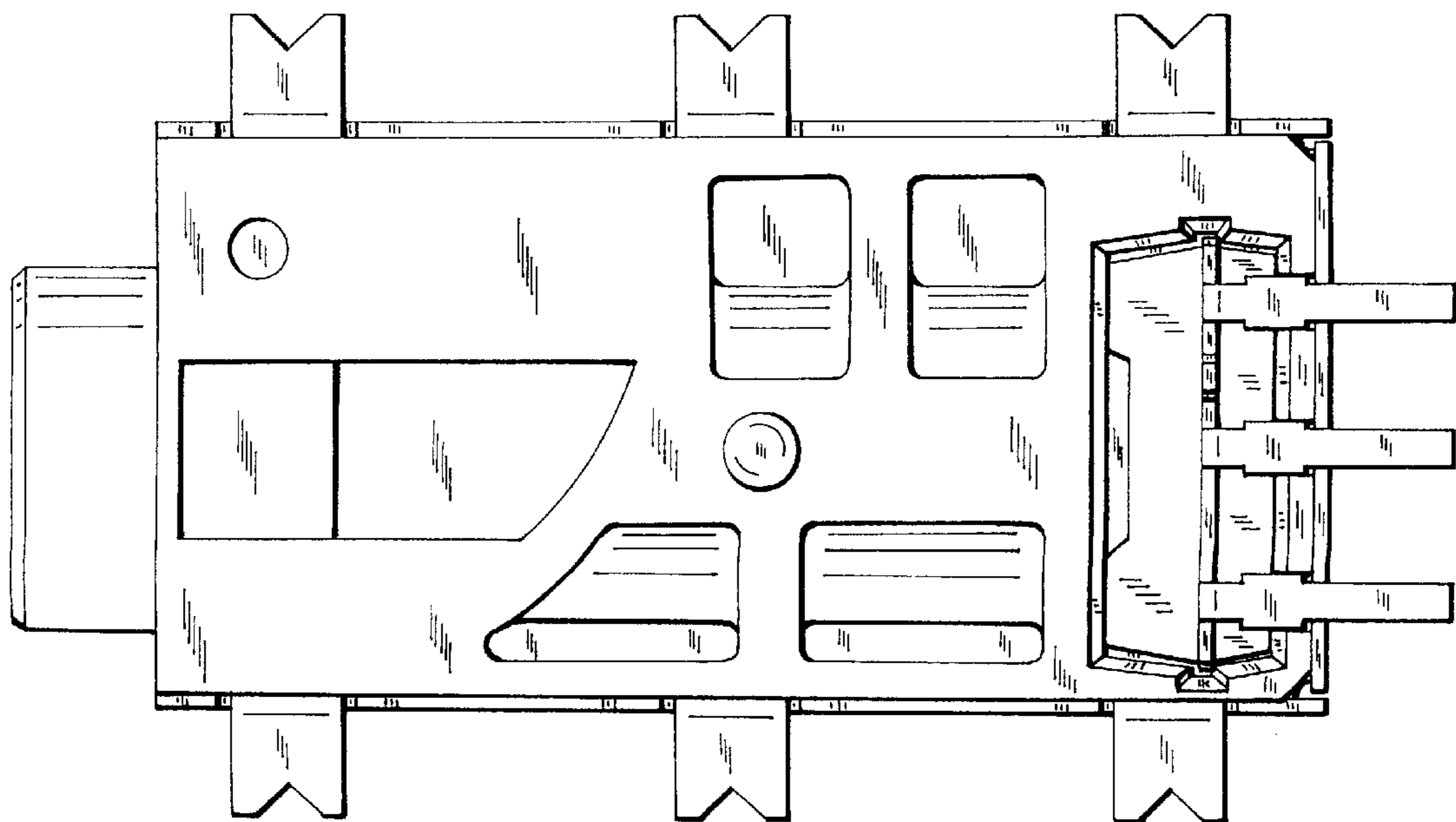


Fig. 5

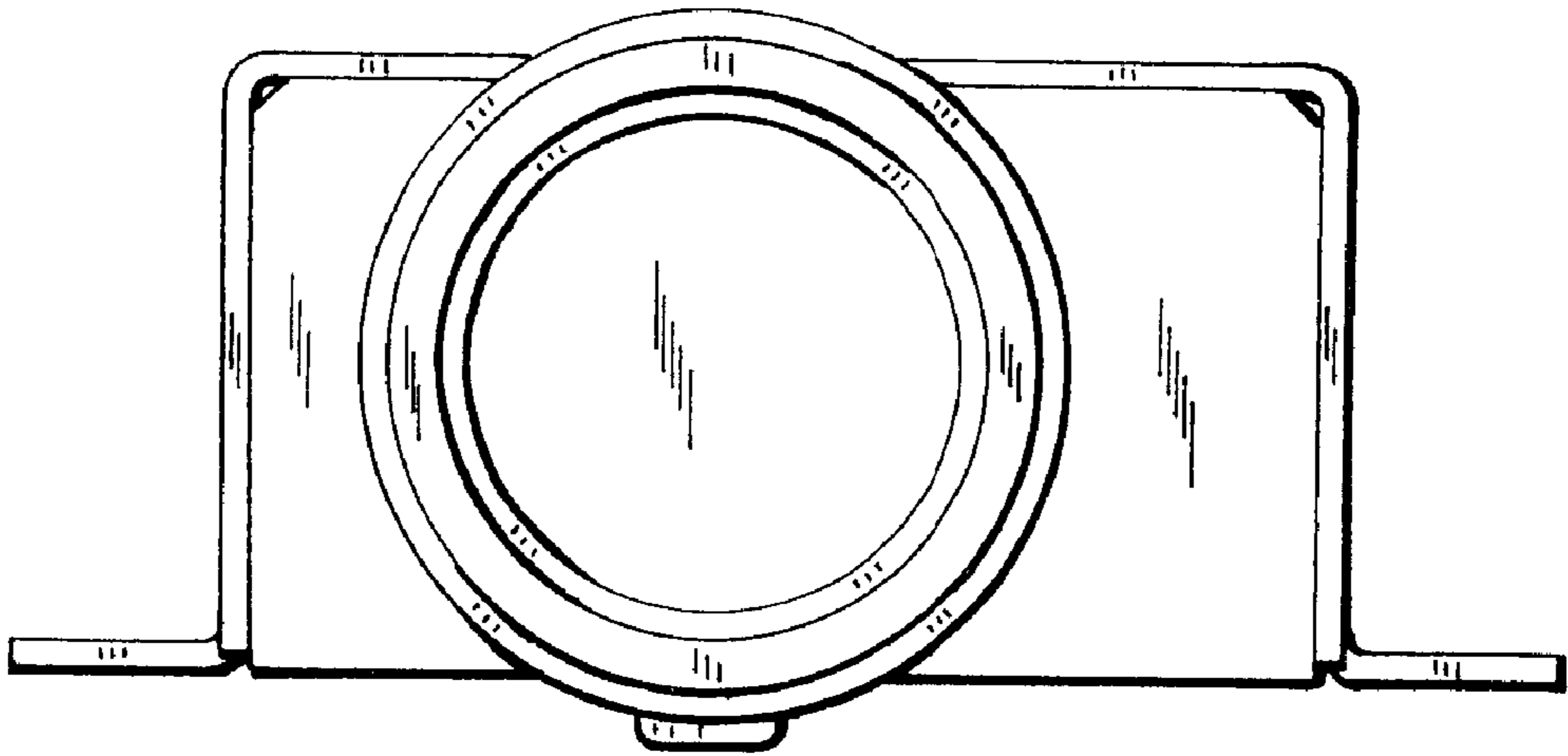


Fig. 6

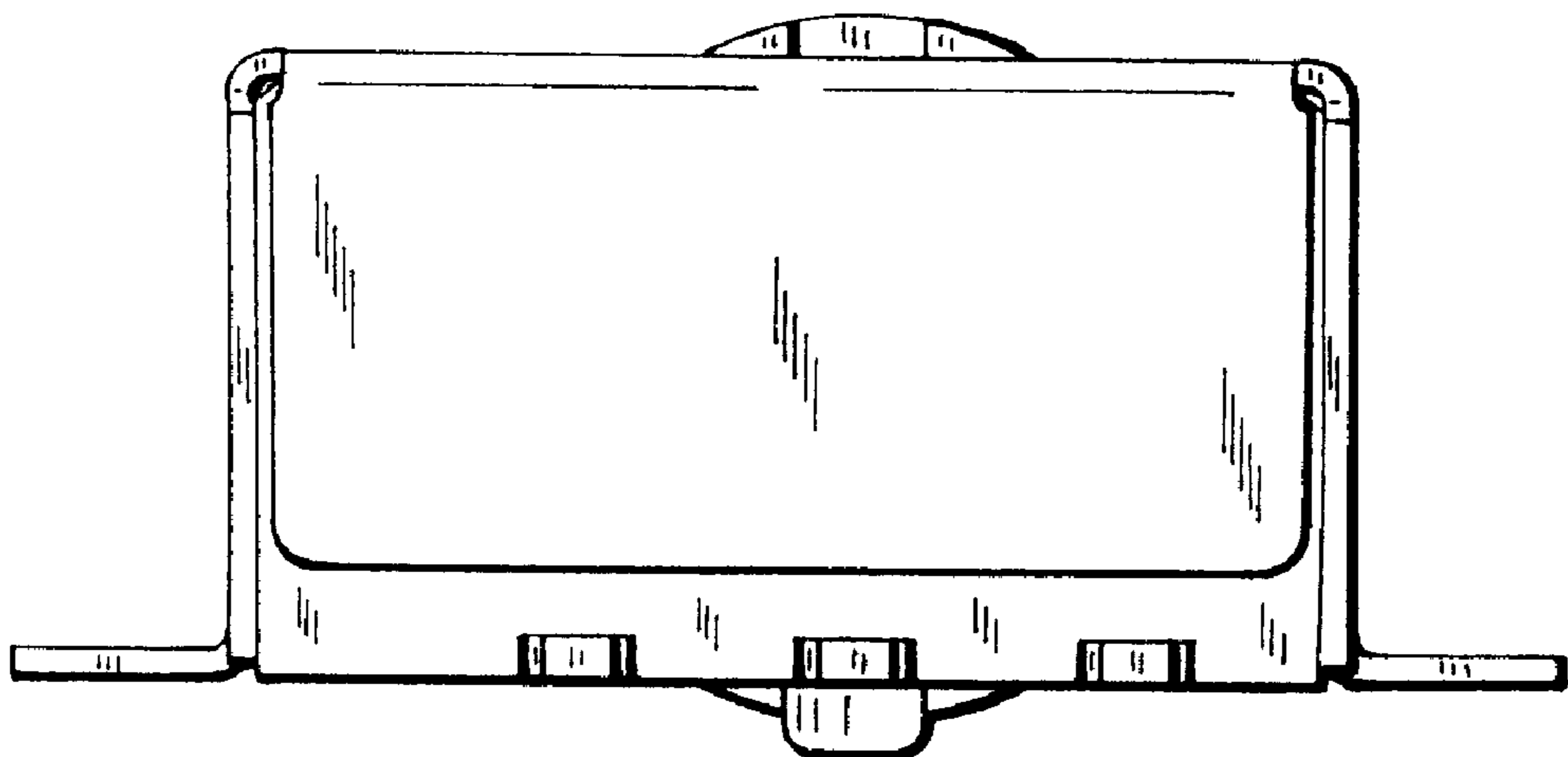


Fig. 7

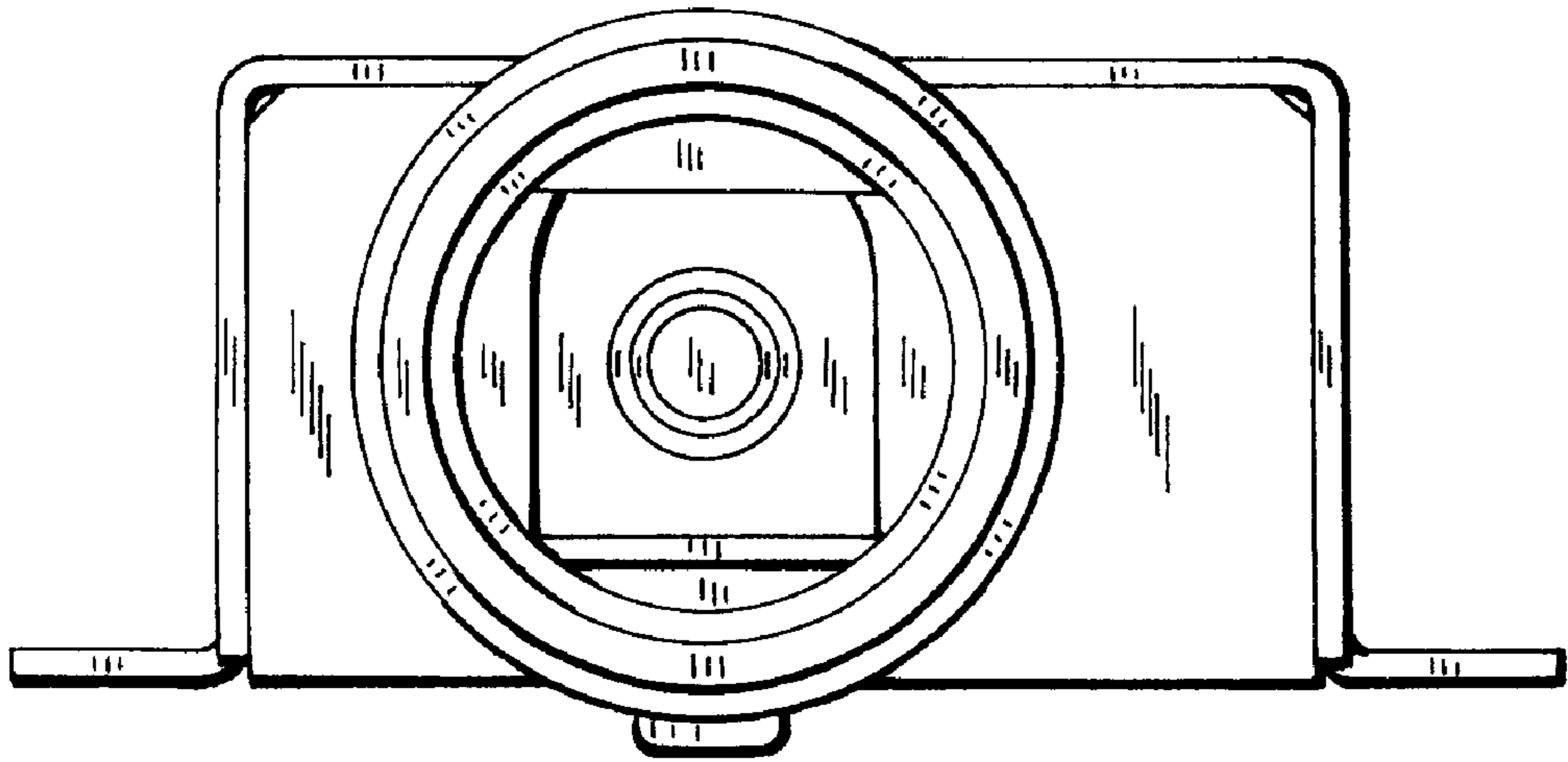


Fig. 8

