



US00D458902S

(12) **United States Design Patent**
Suzuki

(10) **Patent No.:** **US D458,902 S**

(45) **Date of Patent:** **** Jun. 18, 2002**

(54) **JACK**
(75) Inventor: **Yoshiaki Suzuki**, Ibaraki (JP)
(73) Assignee: **SMK Corporation**, Tokyo (JP)
(**) Term: **14 Years**

5,693,924 A * 12/1997 Fetterolf, Sr. et al. .. 439/188 X
5,782,646 A * 7/1998 Broadfield et al. 439/638 X
5,885,088 A * 3/1999 Brennan et al. 439/680
5,954,529 A * 9/1999 Meller 439/188
6,186,833 B1 * 2/2001 Wu 439/668
6,202,344 B1 * 3/2001 Ito 439/669 X

* cited by examiner

(21) Appl. No.: **29/133,455**
(22) Filed: **Dec. 1, 2000**
(30) **Foreign Application Priority Data**
Jun. 2, 2000 (JP) 2000-018621

Primary Examiner—Joel Sincavage
(74) *Attorney, Agent, or Firm*—Sughrue Mion, PLLC

(51) **LOC (7) Cl.** **13-03**
(52) **U.S. Cl.** **D13/147**
(58) **Field of Search** D13/146, 147;
439/638, 660, 639, 578, 188, 680, 668,
669

(57) **CLAIM**

The ornamental design for a jack, as shown.

DESCRIPTION

FIG. 1 is a perspective view of top, front and right side of a jack showing my new design;
FIG. 2 is a perspective view of the bottom, rear and left side thereof;
FIG. 3 is a front elevational view thereof;
FIG. 4 is a rear elevational view thereof;
FIG. 5 is a top plan view thereof;
FIG. 6 is a bottom plan view thereof;
FIG. 7 is a right side elevational view thereof; and,
FIG. 8 is a left side elevational view thereof.

(56) **References Cited**
U.S. PATENT DOCUMENTS
5,387,134 A * 2/1995 Bryce et al. 439/660
5,454,734 A * 10/1995 Eggert et al. 439/578
5,538,435 A * 7/1996 Yohn 439/188
5,601,451 A * 2/1997 Driones et al. 439/639 X

1 Claim, 4 Drawing Sheets

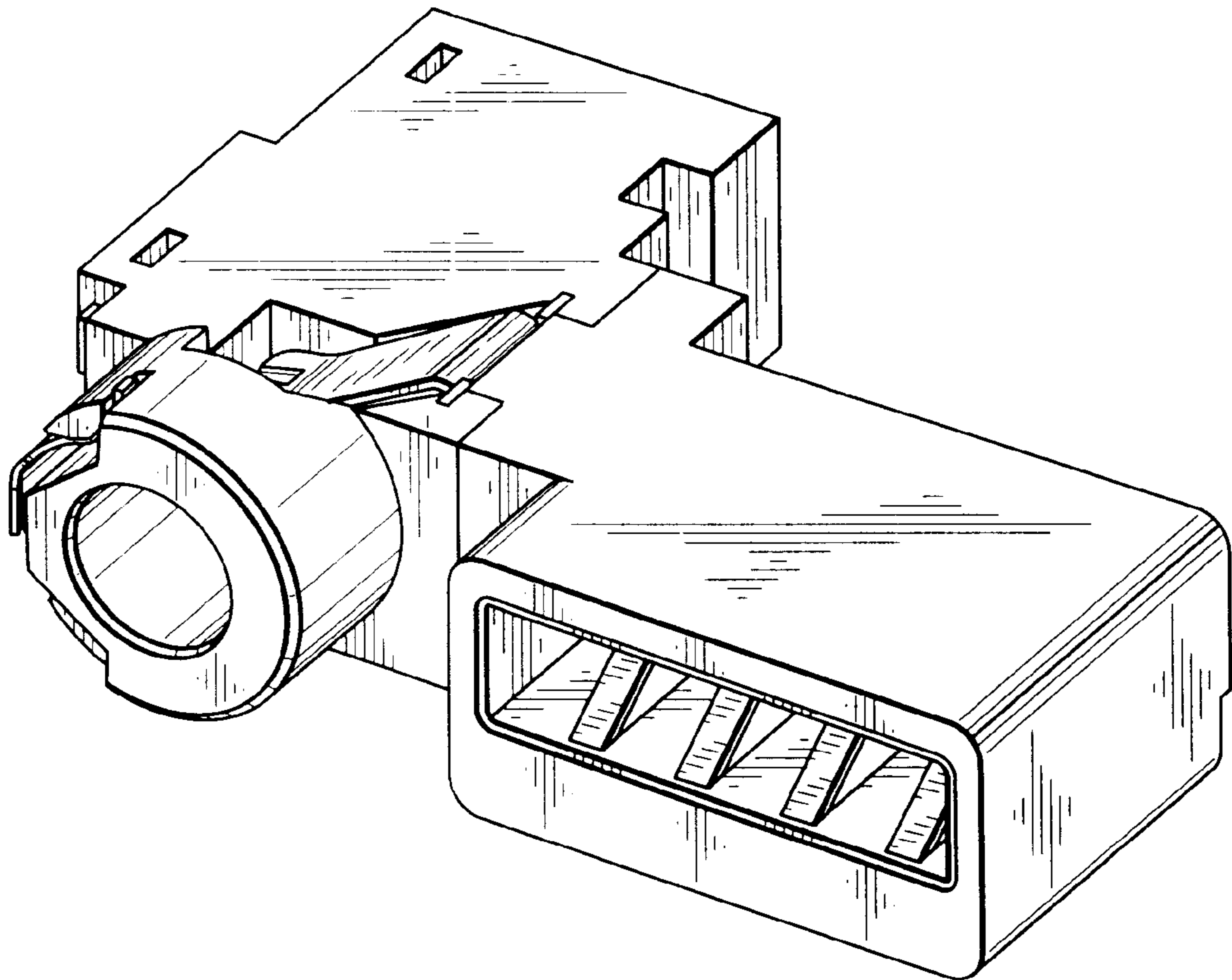


FIG. 1

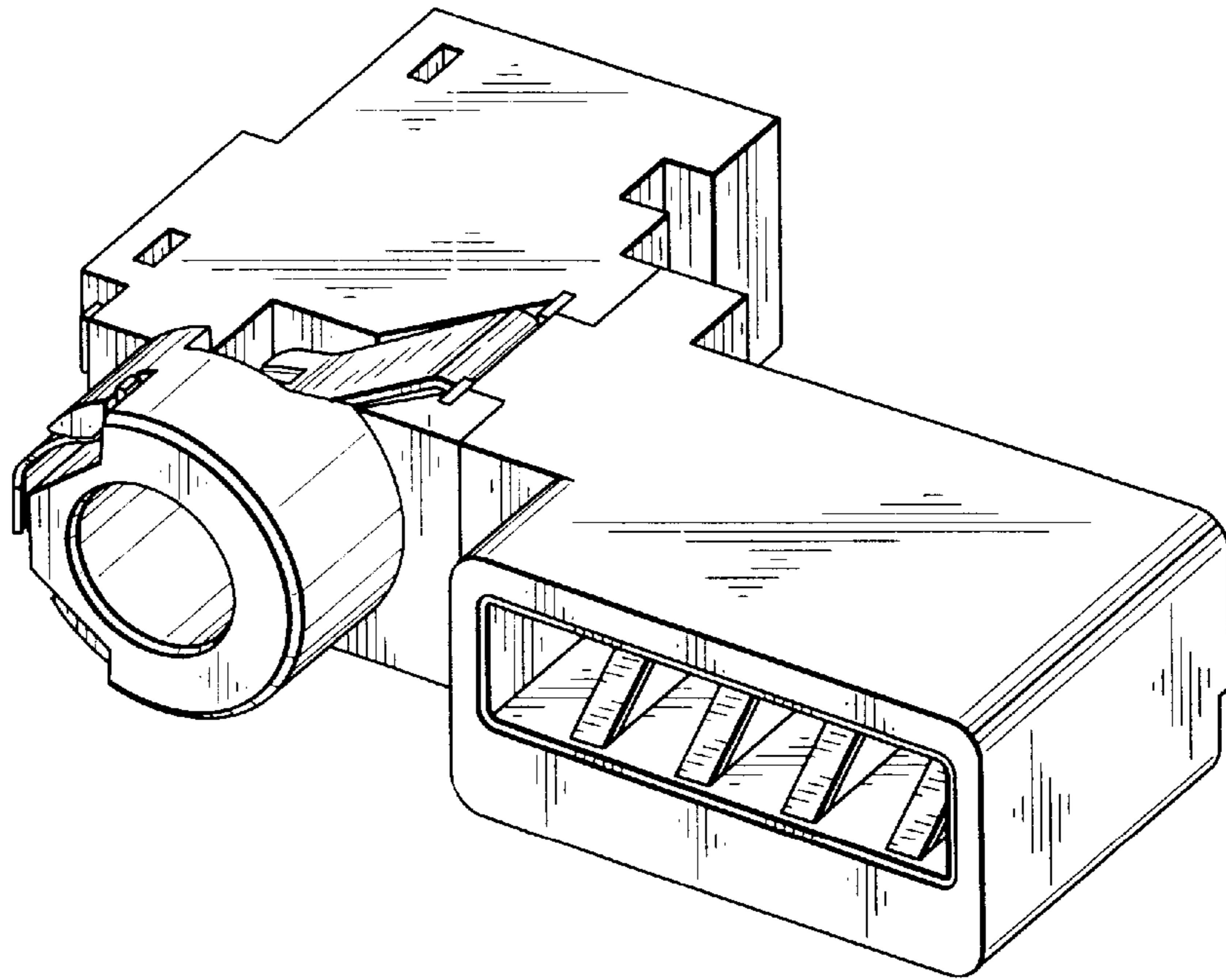


FIG. 2

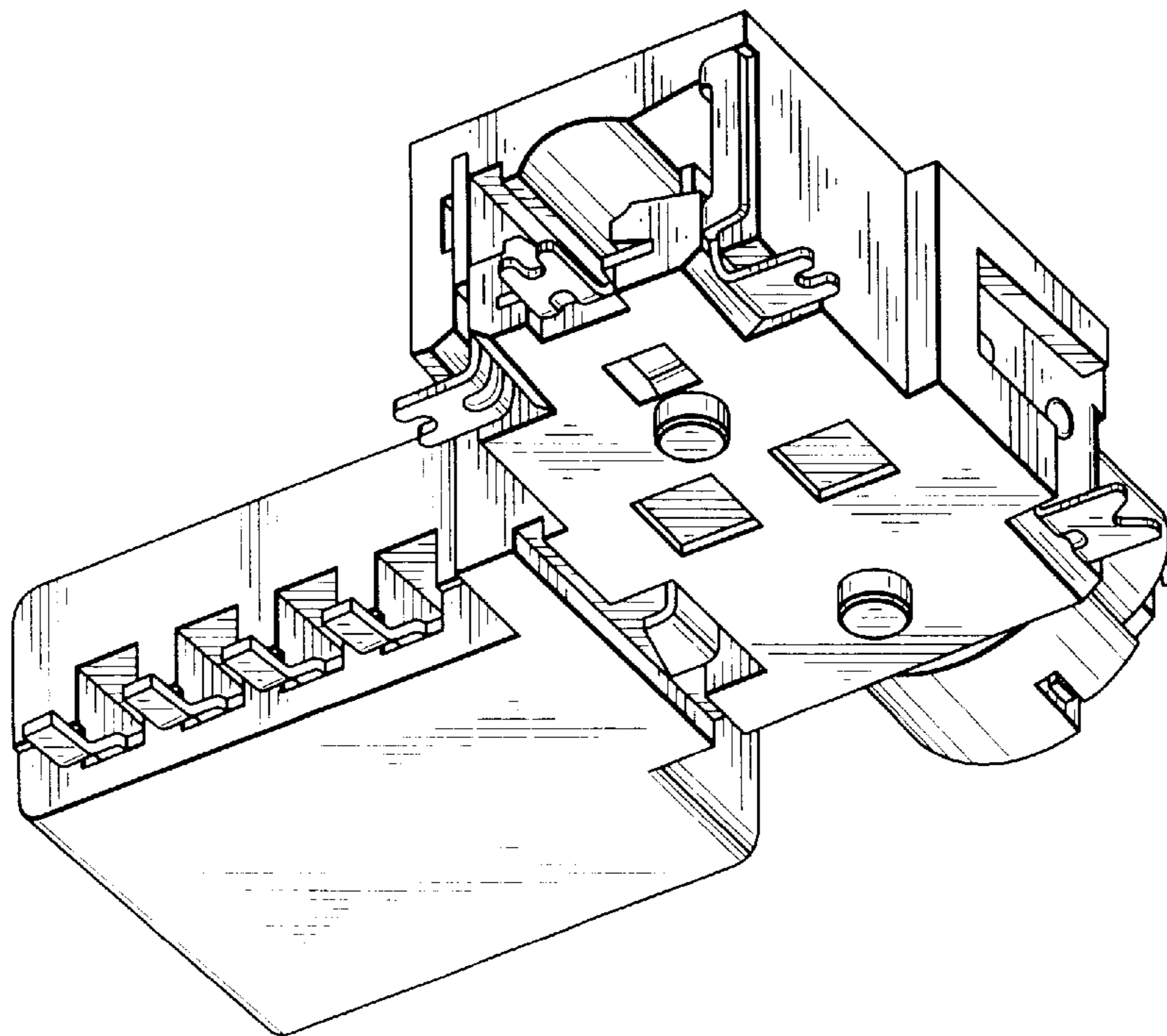


FIG. 3

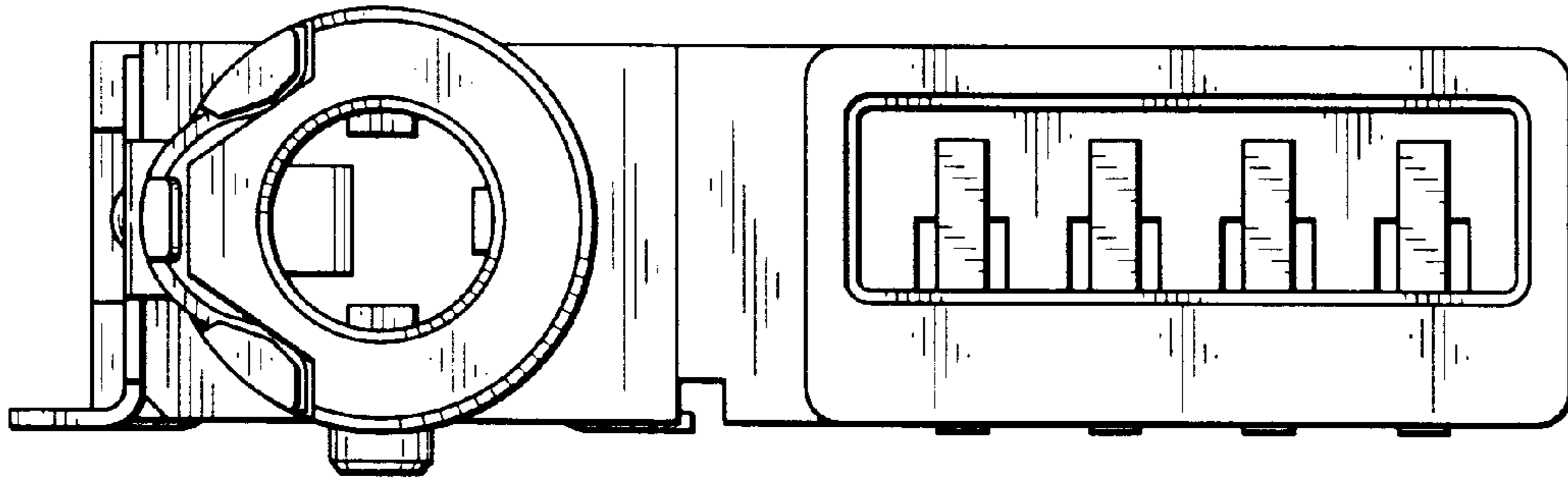


FIG. 4

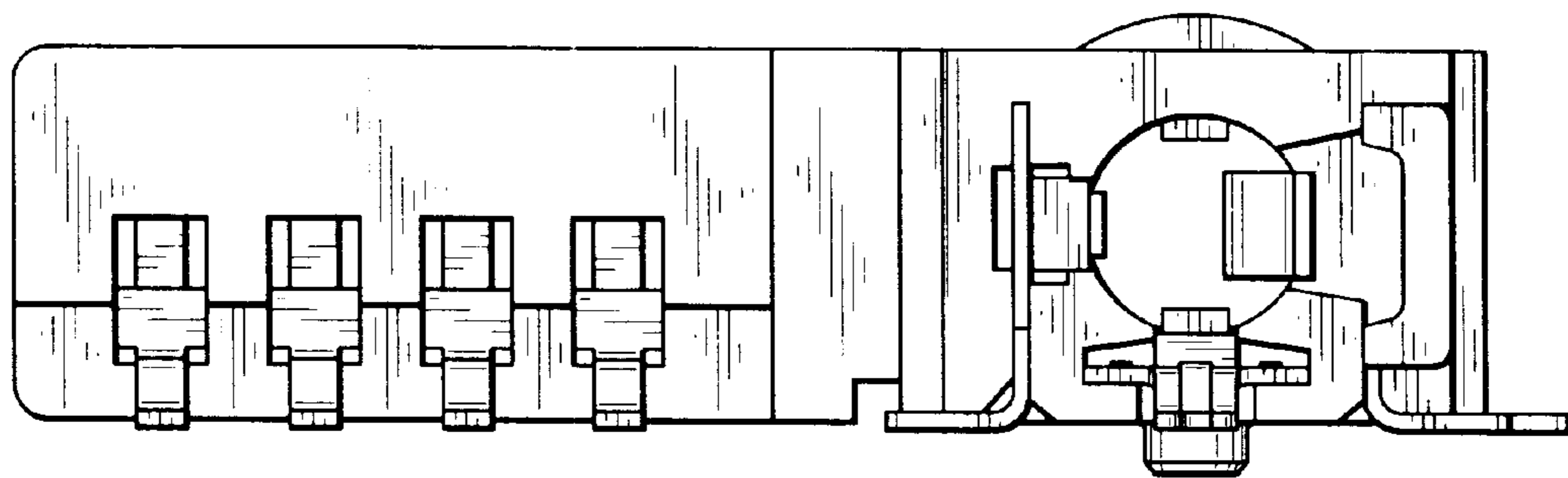


FIG. 5

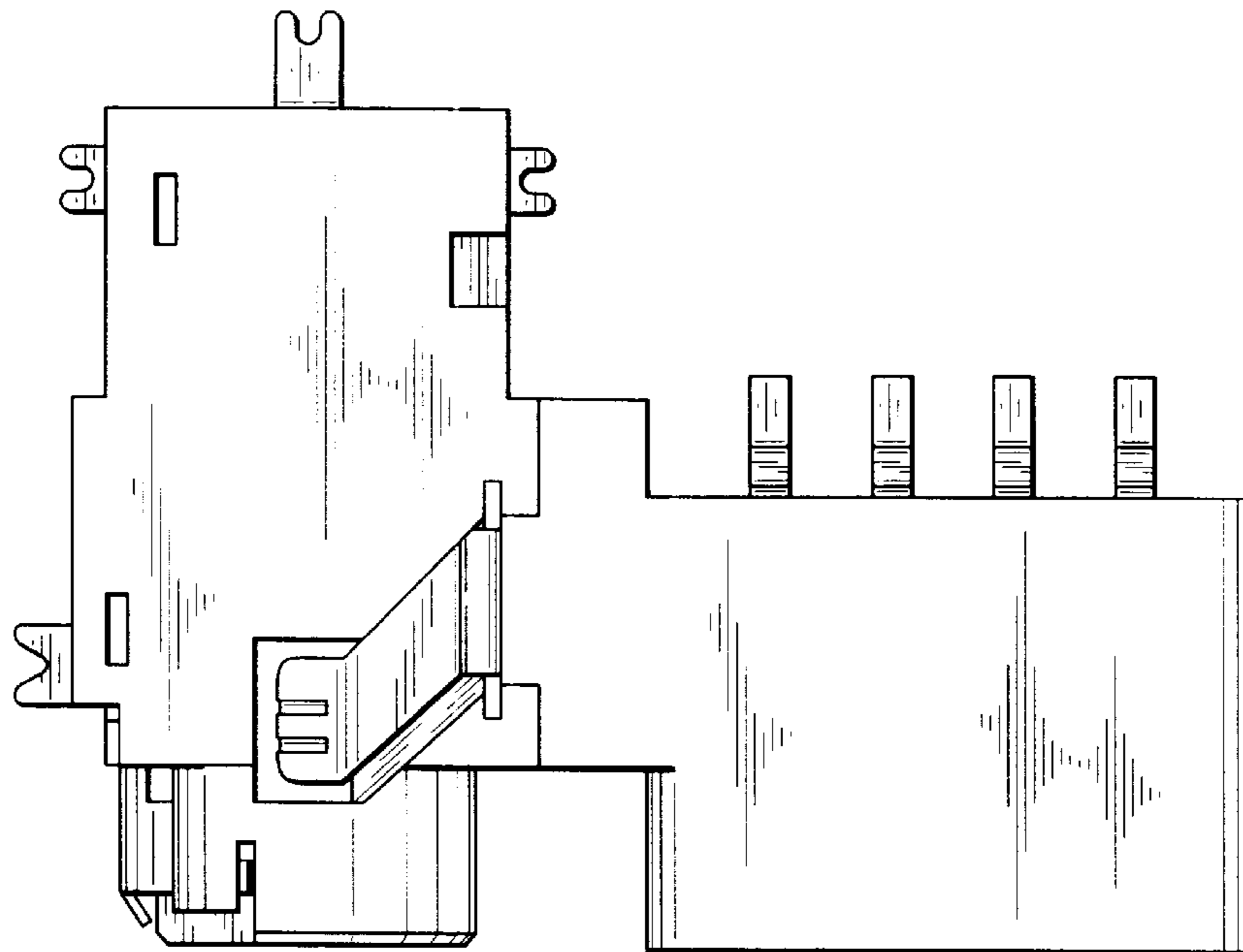


FIG. 6

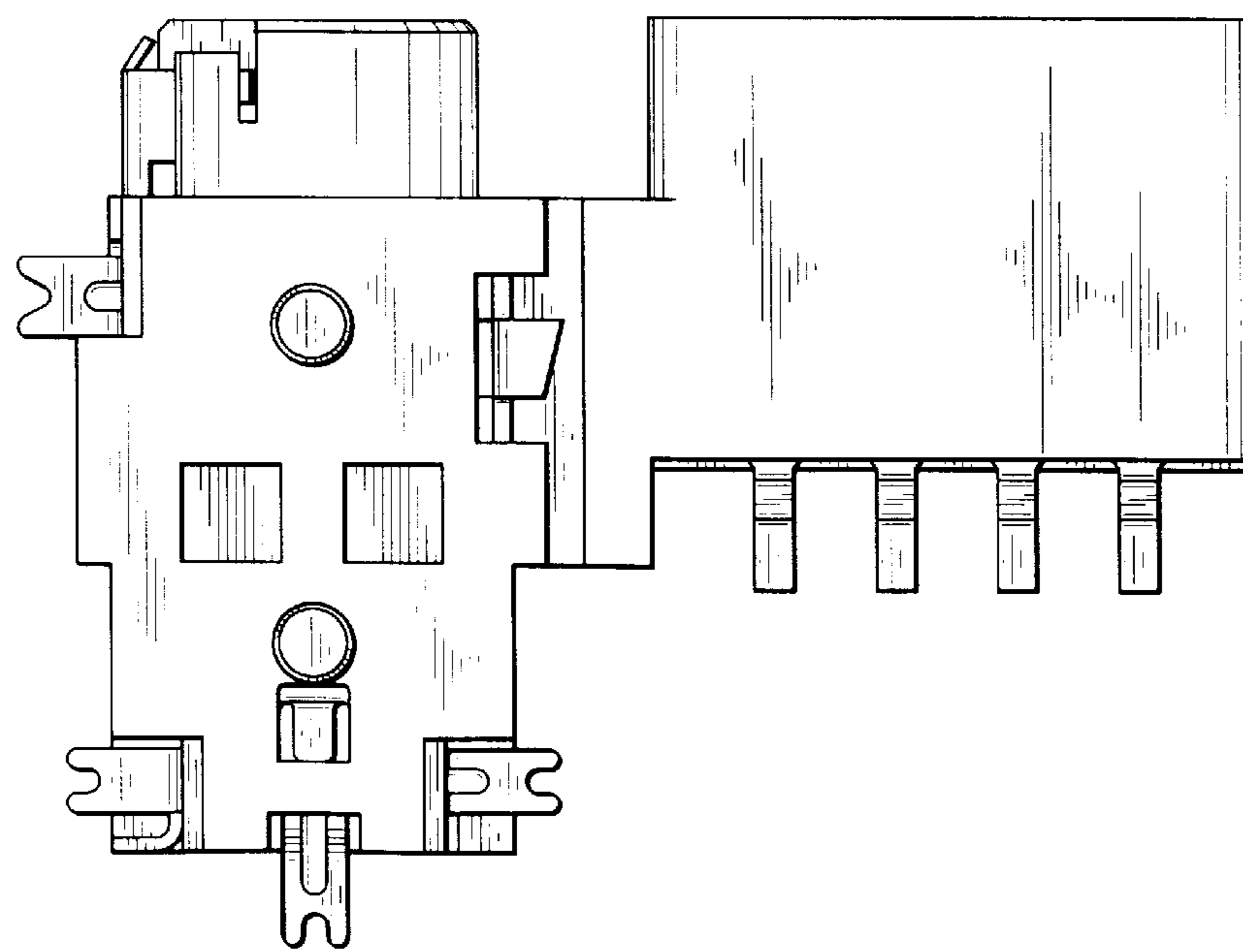


FIG. 7

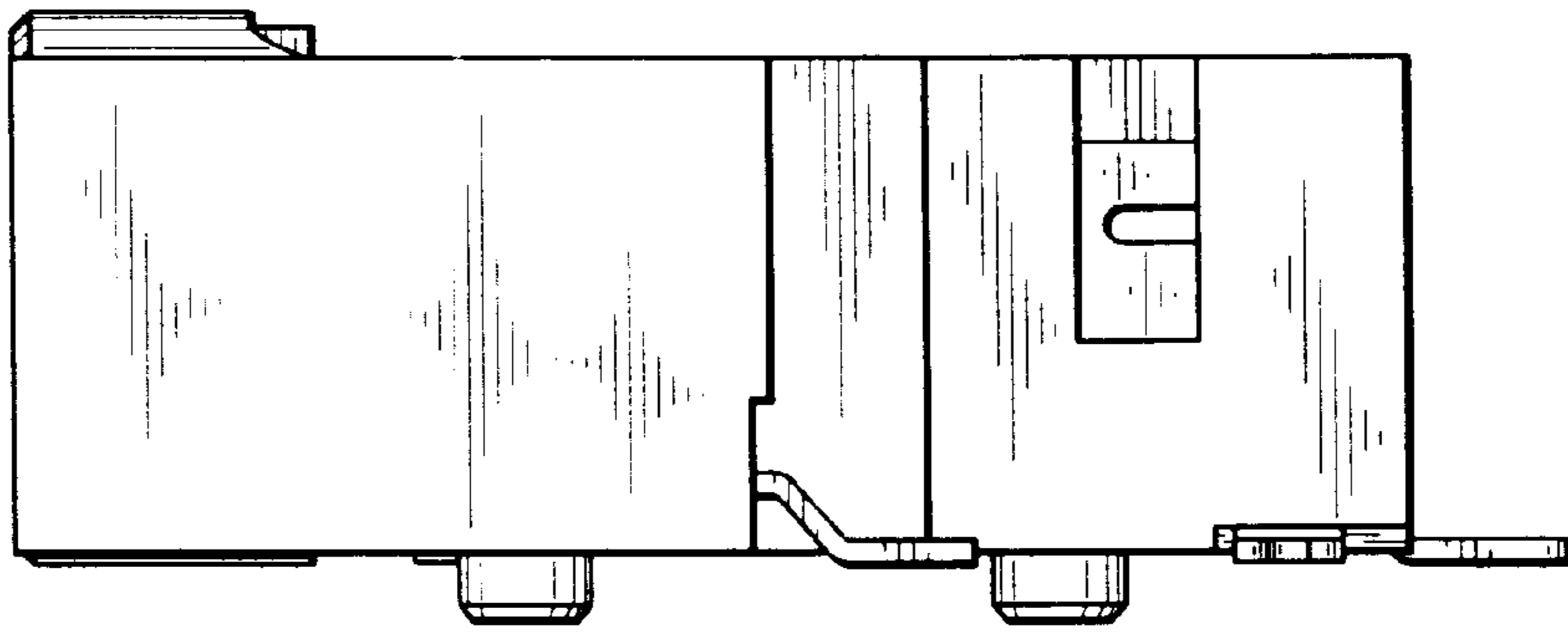


FIG. 8

