



US00D458901S

(12) **United States Design Patent**
Larsen et al.

(10) **Patent No.:** **US D458,901 S**
(45) **Date of Patent:** **** Jun. 18, 2002**

(54) **SOCKET CONNECTOR WITH POWER AND SIGNAL SOCKETS**

D412,489 S 8/1999 Middlehurst et al. D13/147
D434,726 S 12/2000 Middlehurst D13/147

(75) Inventors: **Russell G. Larsen**, San Jose; **Rodolfo F. Aguilar**, Hayward, both of CA (US)

* cited by examiner

Primary Examiner—Joel Sincavage

(73) Assignee: **TVM Group, Inc.**, Fremont, CA (US)

(74) *Attorney, Agent, or Firm*—Flehr Hohbach Test Albritton & Herbert LLP

(**) Term: **14 Years**

(57) **CLAIM**

(21) Appl. No.: **29/129,535**

The ornamental design for a socket connector with power and signal sockets, as shown and described.

(22) Filed: **Sep. 18, 2000**

DESCRIPTION

(51) **LOC (7) Cl.** **13-03**

(52) **U.S. Cl.** **D13/147**

(58) **Field of Search** D13/147; 439/378,
439/677-680, 752

FIG. 1 is a perspective view of the socket connector with power and signal sockets of my new design.

FIG. 2 is a top plan view of the socket connector with power and signal sockets shown in FIG. 1.

FIG. 3 is a bottom plan view of socket connector with power and signal sockets shown in FIG. 1.

FIG. 4 is a front elevational view of the socket connector with power and signal sockets shown in FIG. 1.

FIG. 5 is a rear elevational view of the socket connector with power and signal sockets shown in FIG. 1.

FIG. 6 is a right side elevational view of the socket connector with power and signal sockets shown in FIG. 1; and,

FIG. 7 is a left side elevational view of the socket connector with power and signal sockets shown in FIG. 1.

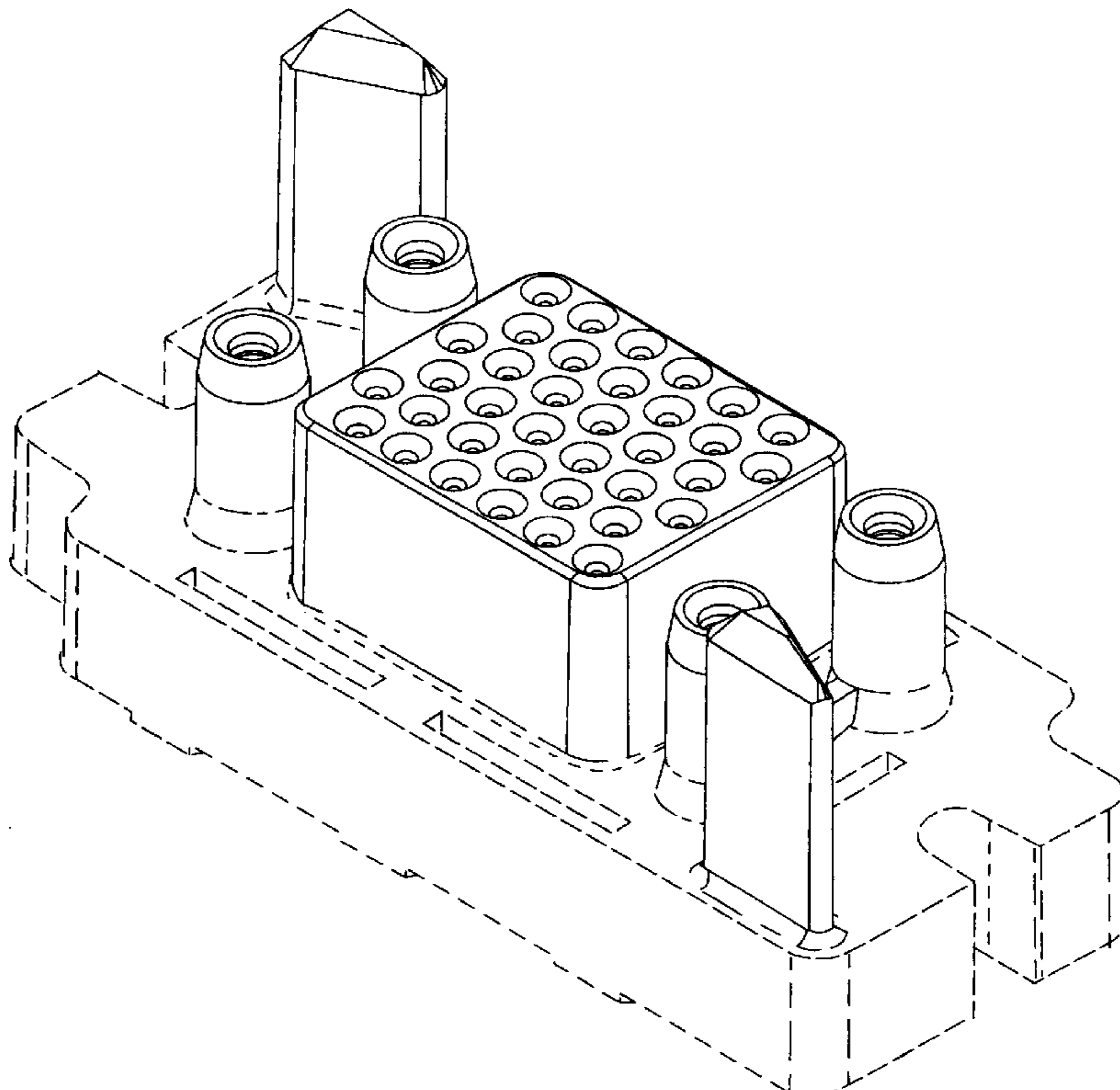
The broken lines showing throughout the drawing figures are included for the purpose of illustrating environmental structure only and form no part of the claimed design.

(56) **References Cited**

U.S. PATENT DOCUMENTS

D200,645 S	*	3/1965	Schumacher	D13/146
4,179,179 A	*	12/1979	Lowden	439/680 X
4,647,130 A	*	3/1987	Blair et al.	439/248
4,664,456 A	*	5/1987	Blair et al.	439/378 X
4,761,144 A	*	8/1988	Hunt, III et al.	439/545
4,812,133 A	*	3/1989	Fleak et al.	439/248
5,362,261 A	*	11/1994	Puerner	439/752
D366,241 S		1/1996	Eaton	D13/147
D366,454 S		1/1996	Eaton	D13/147
5,575,690 A		11/1996	Eaton	439/717
5,588,852 A	*	12/1996	Puerner	439/752 X
5,888,101 A	*	3/1999	Dent et al.	439/680

1 Claim, 3 Drawing Sheets



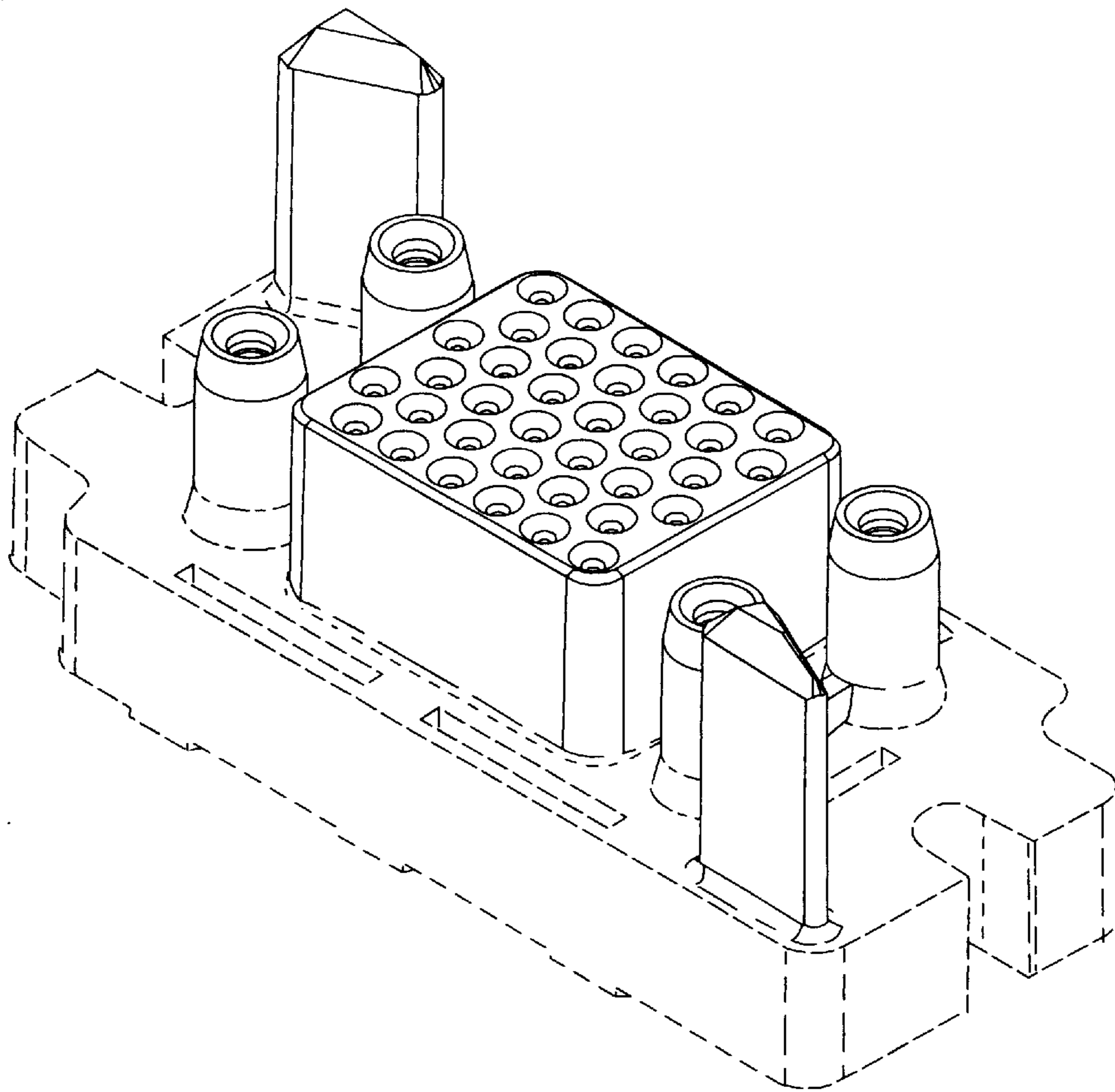


FIG. 1

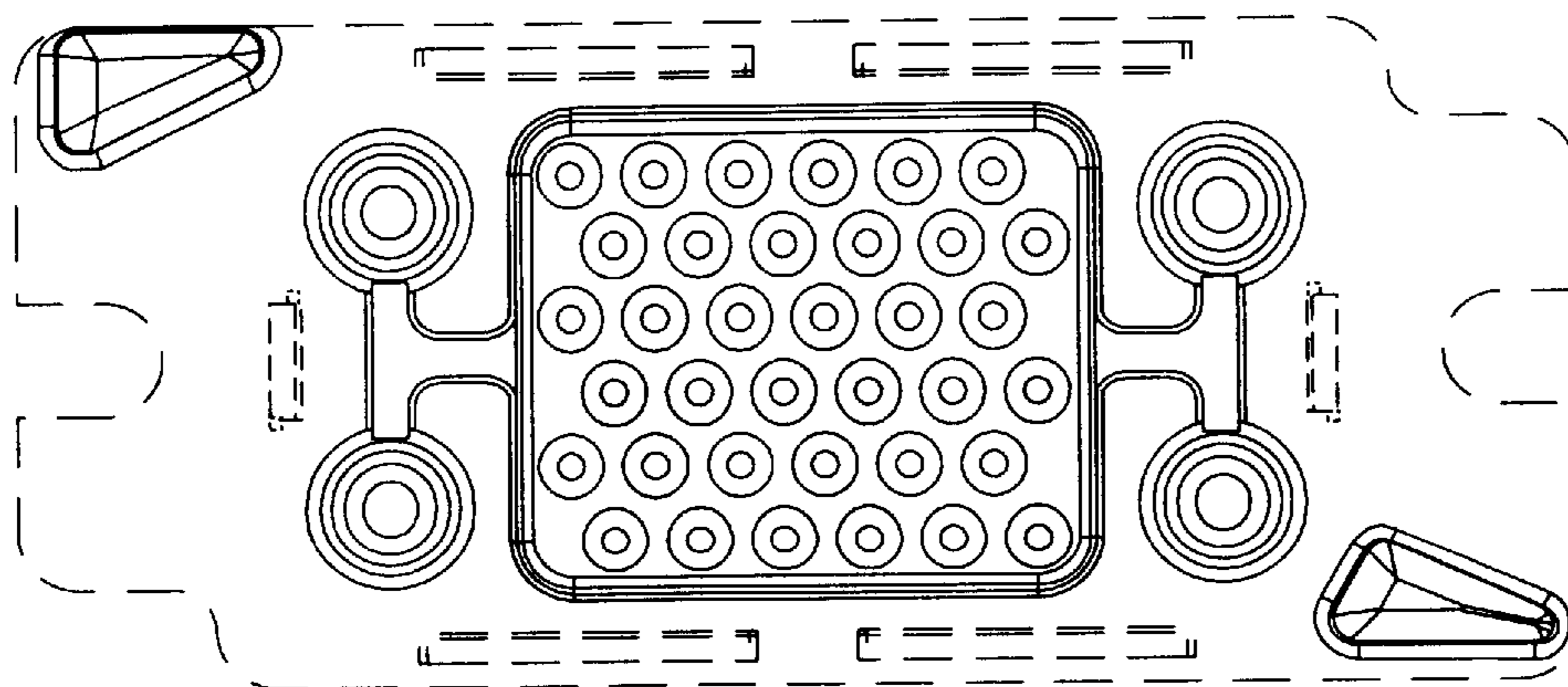


FIG. 2

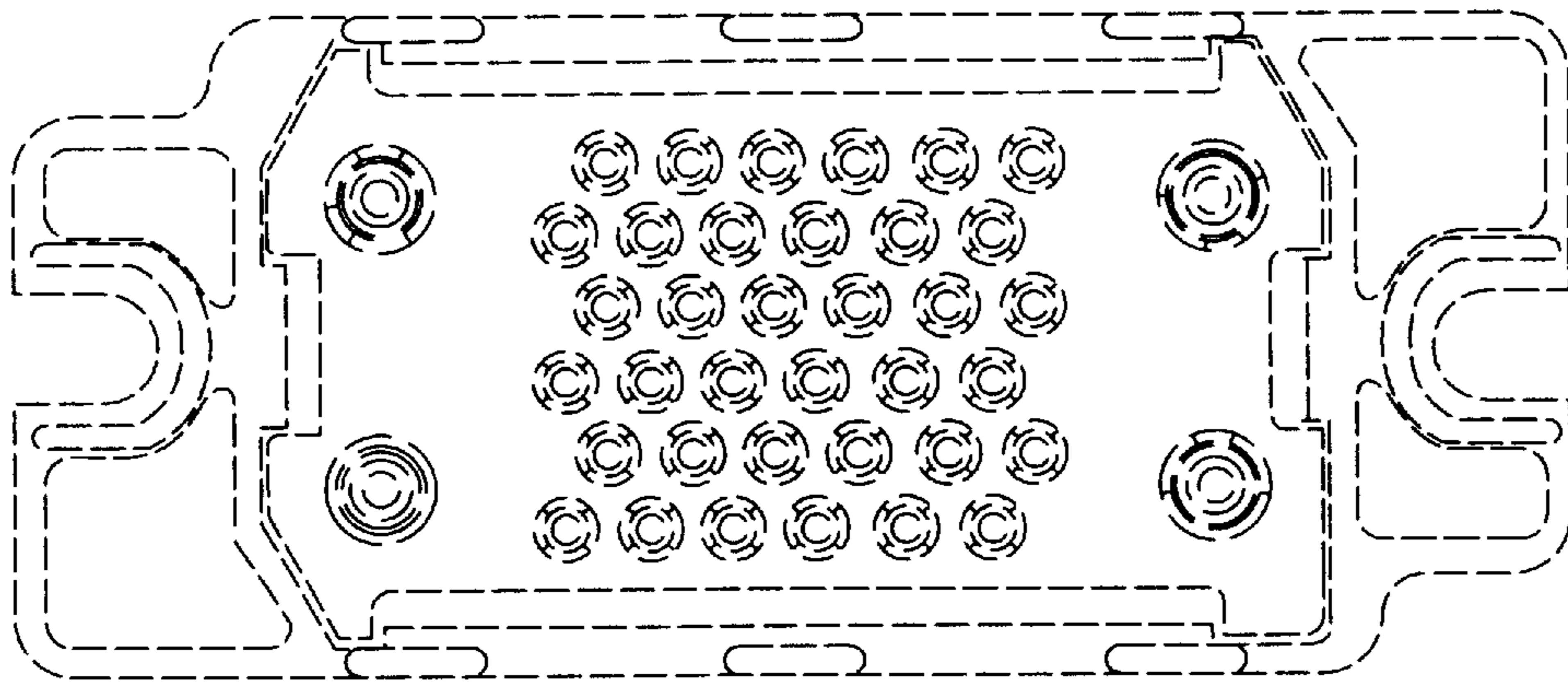


FIG. 3

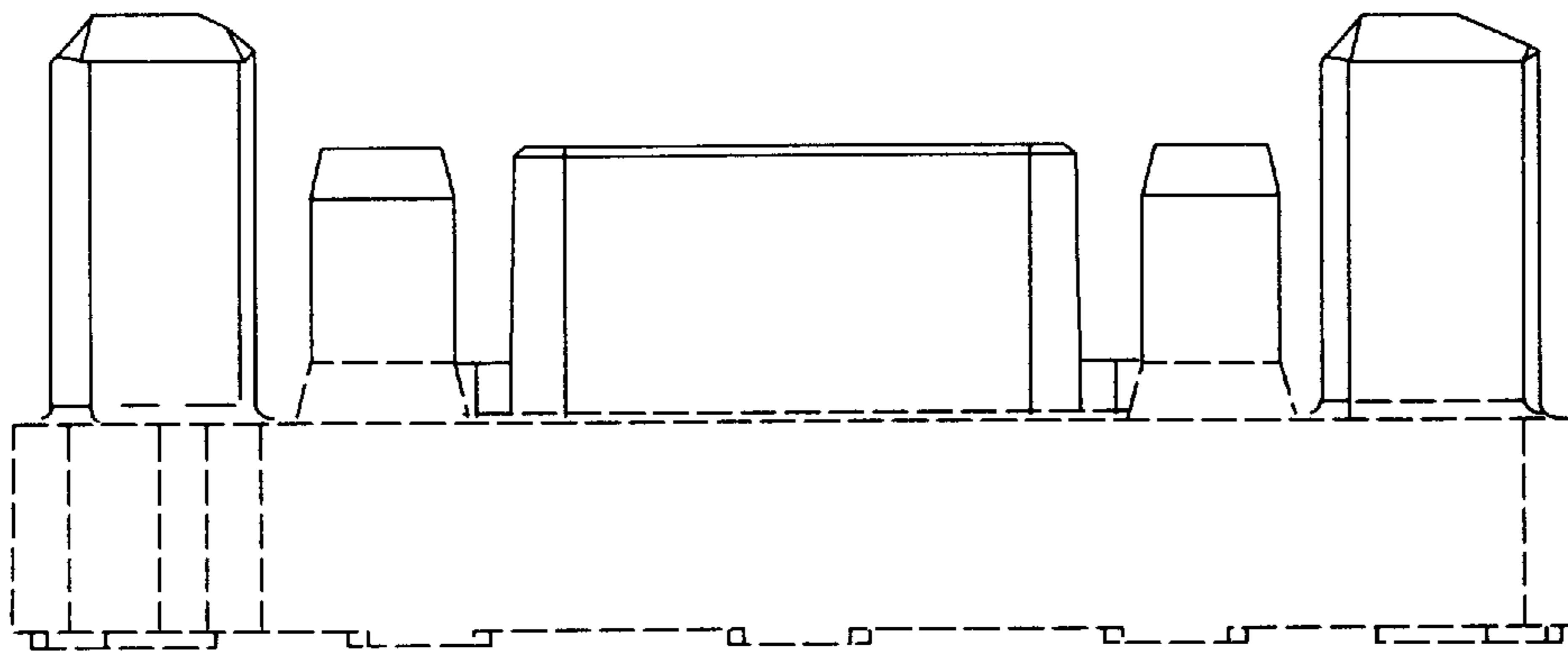


FIG. 4

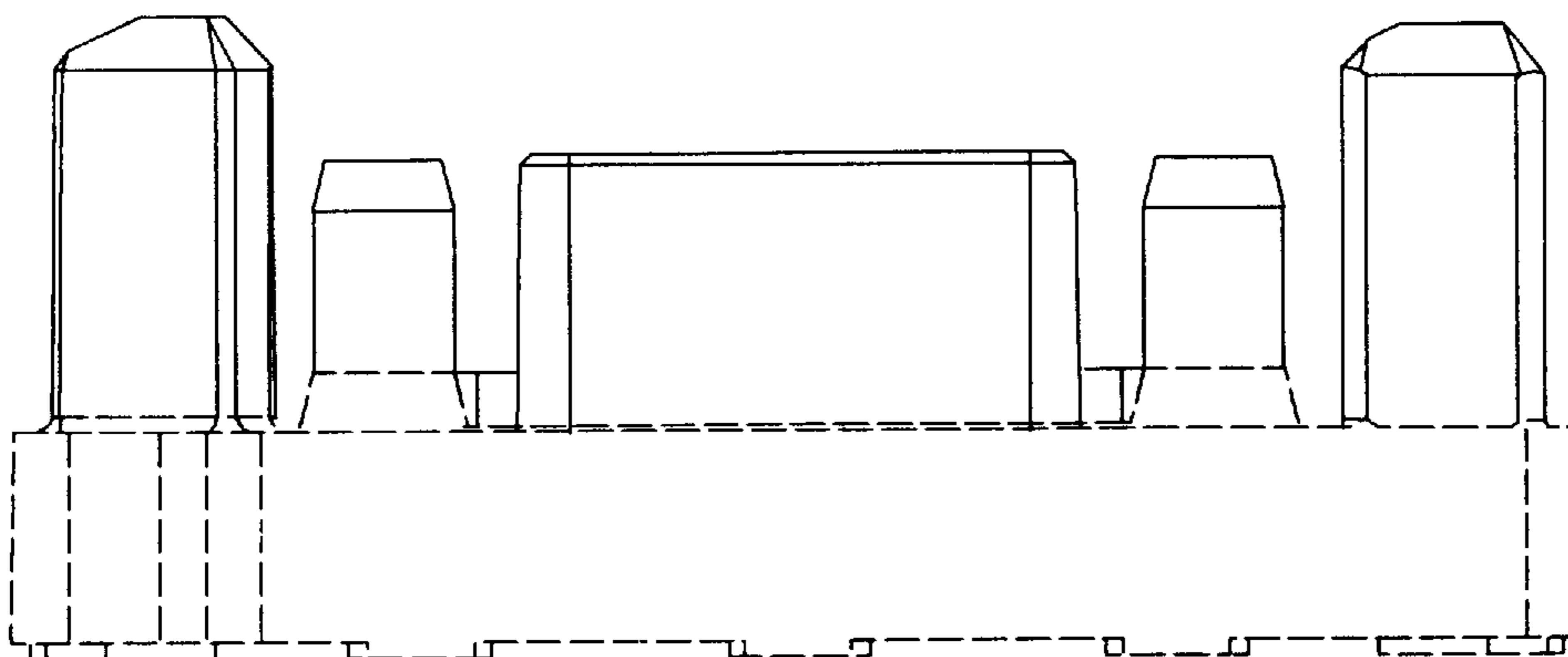


FIG. 5

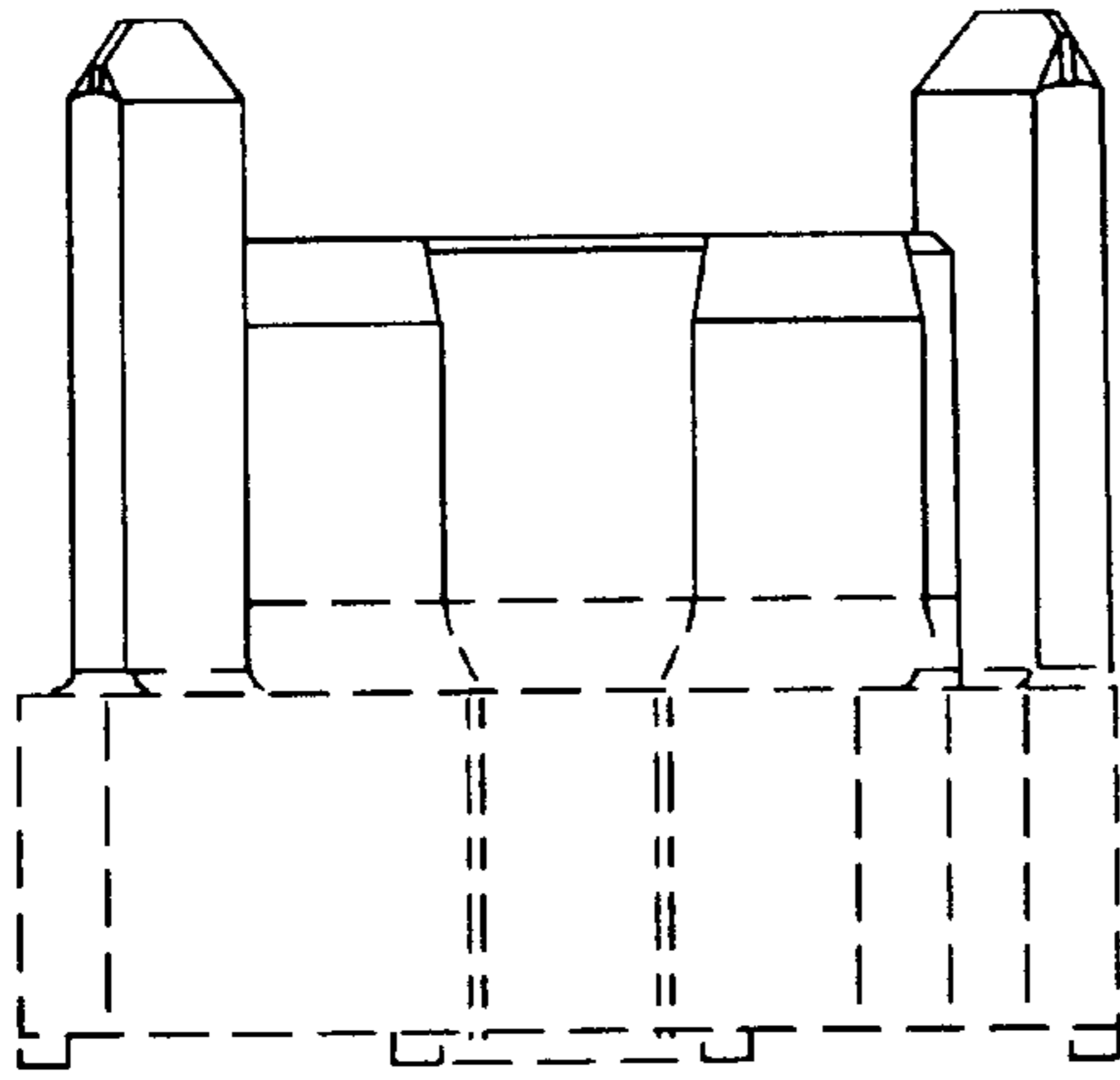


FIG. 6

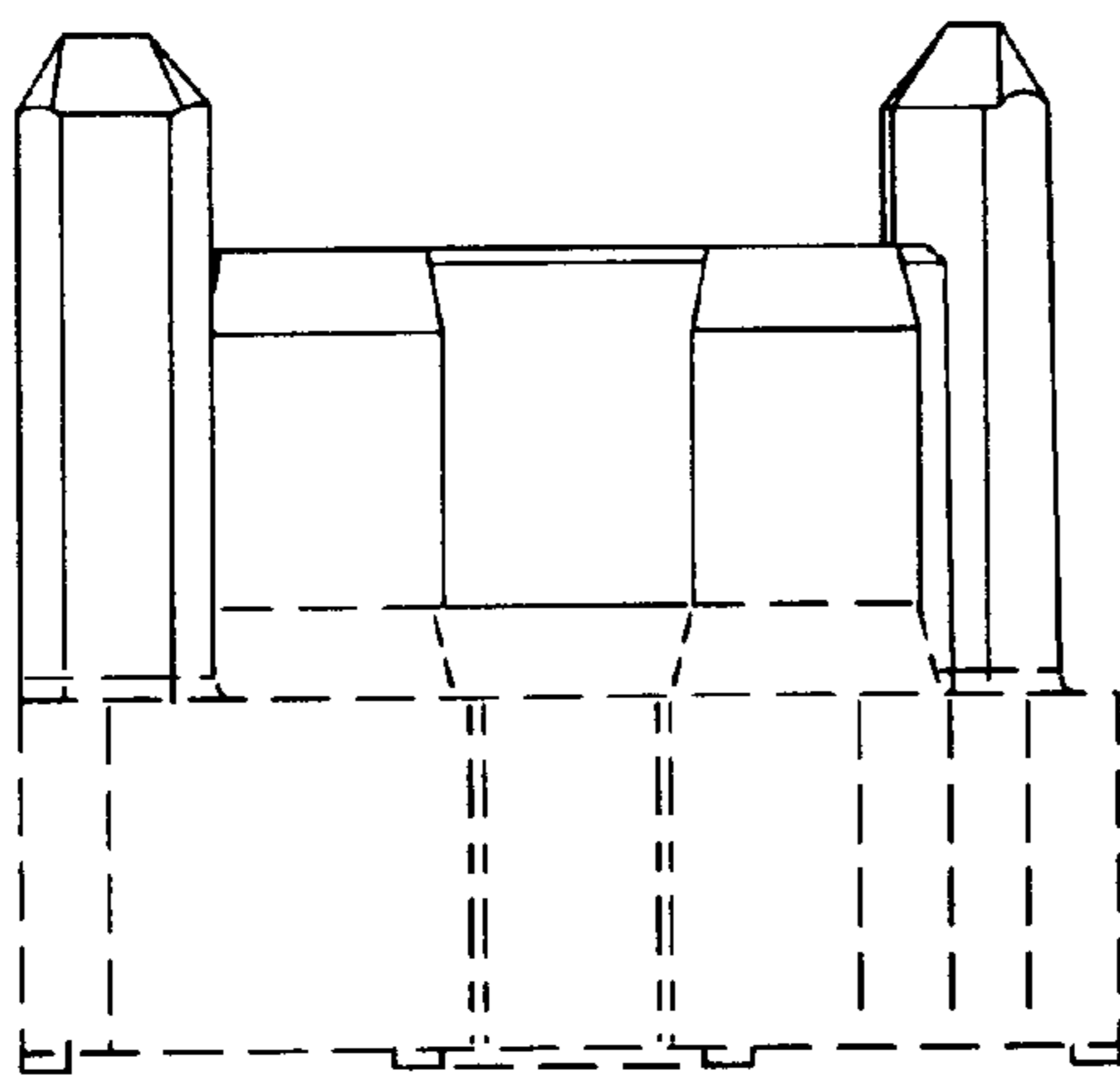


FIG. 7