



US00D458899S

(12) **United States Design Patent**
Nopper et al.

(10) **Patent No.:** **US D458,899 S**

(45) **Date of Patent:** **** Jun. 18, 2002**

(54) **TIRE TREAD**

(75) Inventors: **Theresa Marie Nopper**, Cuyahoga Falls; **William Thomas Adams, Jr.**, North Canton; **Dale Edward Umstot**, Atwater, all of OH (US)

(73) Assignee: **The Goodyear Tire & Rubber Company**, Akron, OH (US)

(**) Term: **14 Years**

(21) Appl. No.: **29/144,181**

(22) Filed: **Jun. 27, 2001**

(51) **LOC (7) Cl.** **12-15**

(52) **U.S. Cl.** **D12/601**

(58) **Field of Search** D12/560, 561,
D12/566, 567, 579, 596, 597, 600, 602,
603, 900; 152/209.1, 209.9, 209.12, 209.18,
209.25

(56) **References Cited**

U.S. PATENT DOCUMENTS

4,481,991 A	11/1984	Pieper	152/209 R
D291,792 S	* 9/1987	Clemens	D12/600
D294,929 S	3/1988	Clemens	D12/147
D317,144 S	5/1991	Fujiki	D12/138
D318,036 S	* 7/1991	Maxwell et al.	D12/603
D349,081 S	7/1994	Downey et al.	D12/147
5,327,953 A	7/1994	Ichiki	152/209 R
5,538,060 A	7/1996	van der Meer et al.	..	152/209 R

D379,785 S	* 6/1997	Galante et al.	D12/597
D381,944 S	8/1997	Regallis et al.	D12/147
D384,609 S	* 10/1997	Gillard et al.	D12/596
5,679,186 A	10/1997	Tagashira et al.	152/209 R
D386,453 S	11/1997	Guspodin	D12/146
5,814,169 A	9/1998	Yamaguchi et al.	152/209 R
5,871,598 A	2/1999	Tomita	152/209 R
D412,304 S	7/1999	McKisson et al.	D12/147
D451,445 S	* 12/2001	Guspodin	D12/601
D451,864 S	* 12/2001	Seifert et al.	D12/601

* cited by examiner

Primary Examiner—Robert M. Spear

(74) *Attorney, Agent, or Firm*—David L. King

(57) **CLAIM**

The ornamental Design for a tire tread, as shown and described.

DESCRIPTION

FIG. 1 is a perspective view of a tire tread showing our new design, it being understood that the pattern repeats uniformly throughout the circumference of the tread;

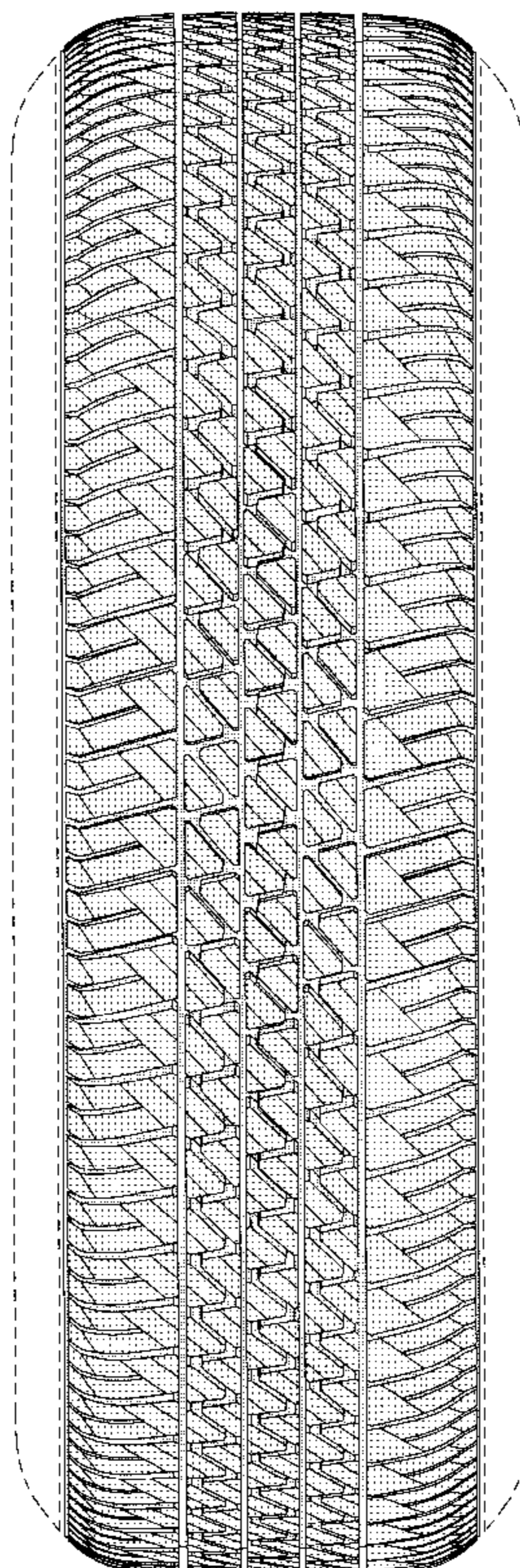
FIG. 2 is a front elevational view thereof;

FIG. 3 is a side elevational view thereof, the opposite side elevational view being identical thereto; and,

FIG. 4 is an enlarged fragmentary perspective view.

In the drawings, the broken lines defining the sidewall and inner bead of the tire are for illustrative purposes only and form no part of the claimed design.

1 Claim, 4 Drawing Sheets



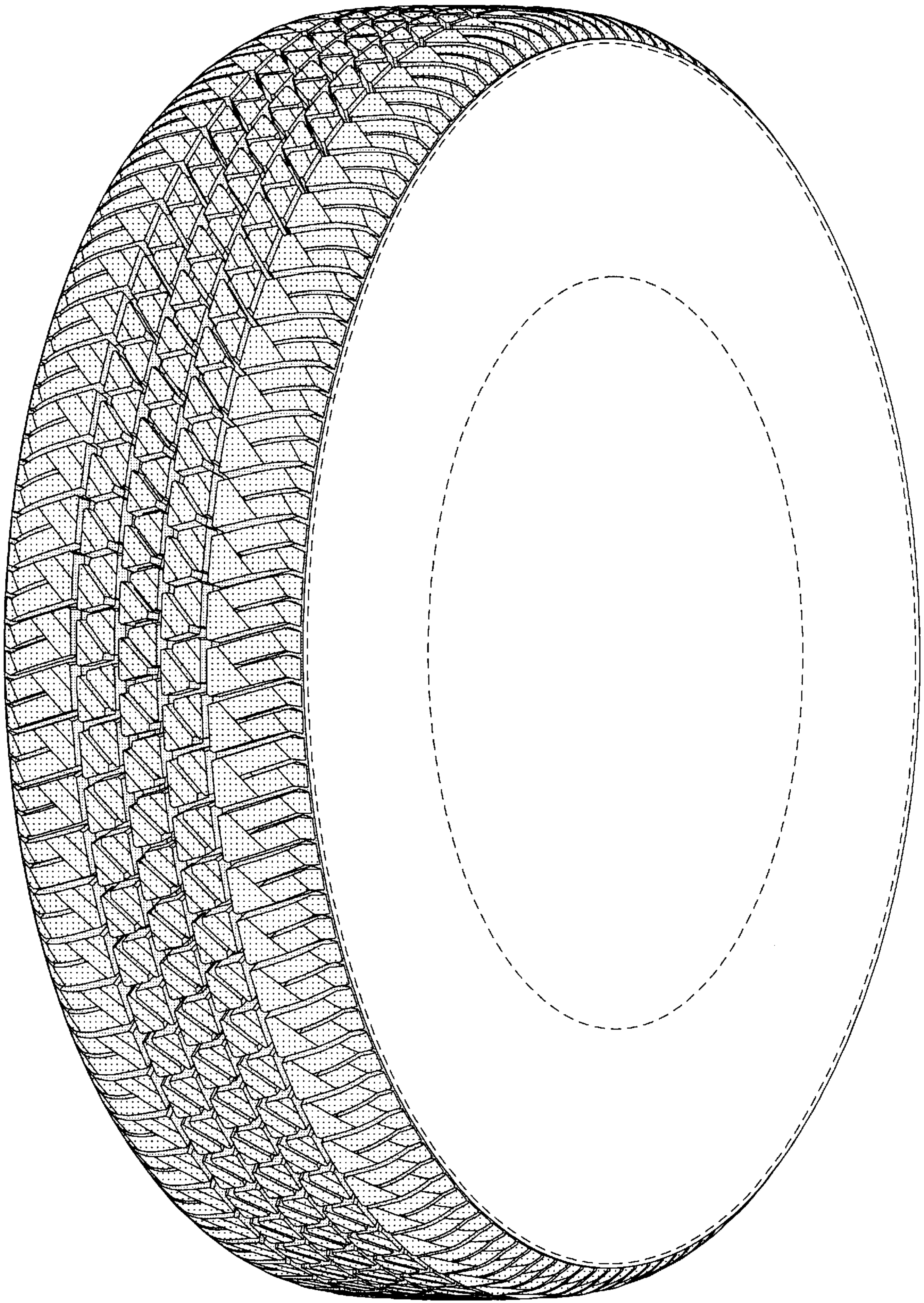


FIGURE 1

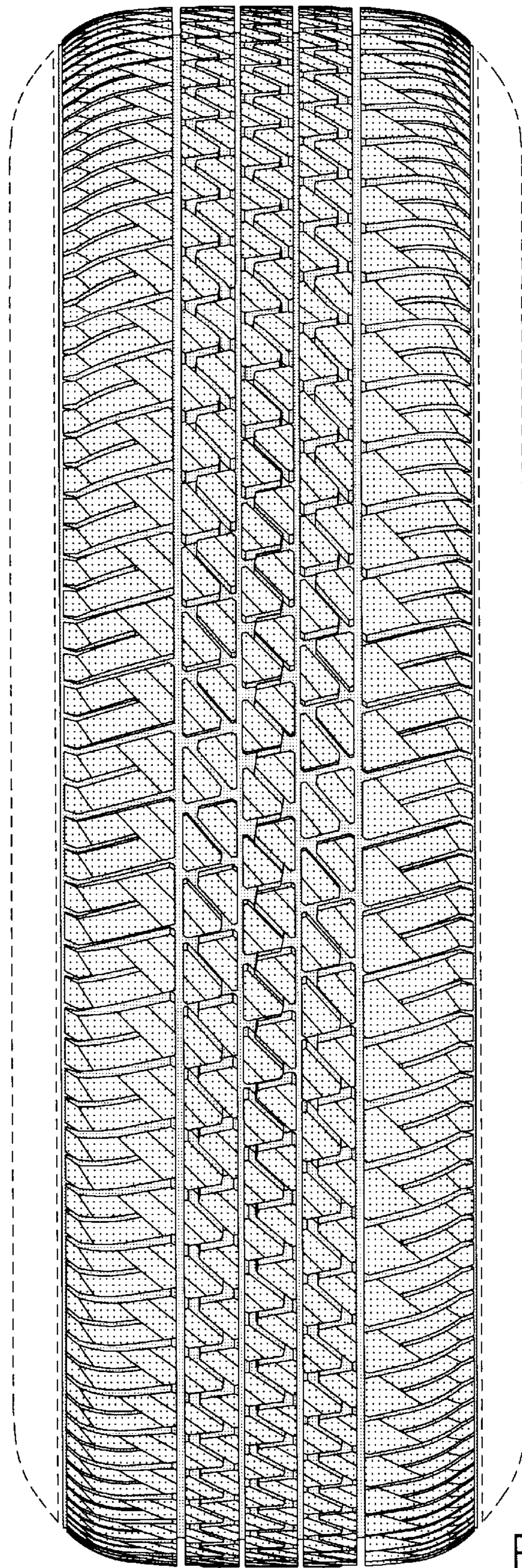


FIGURE 2

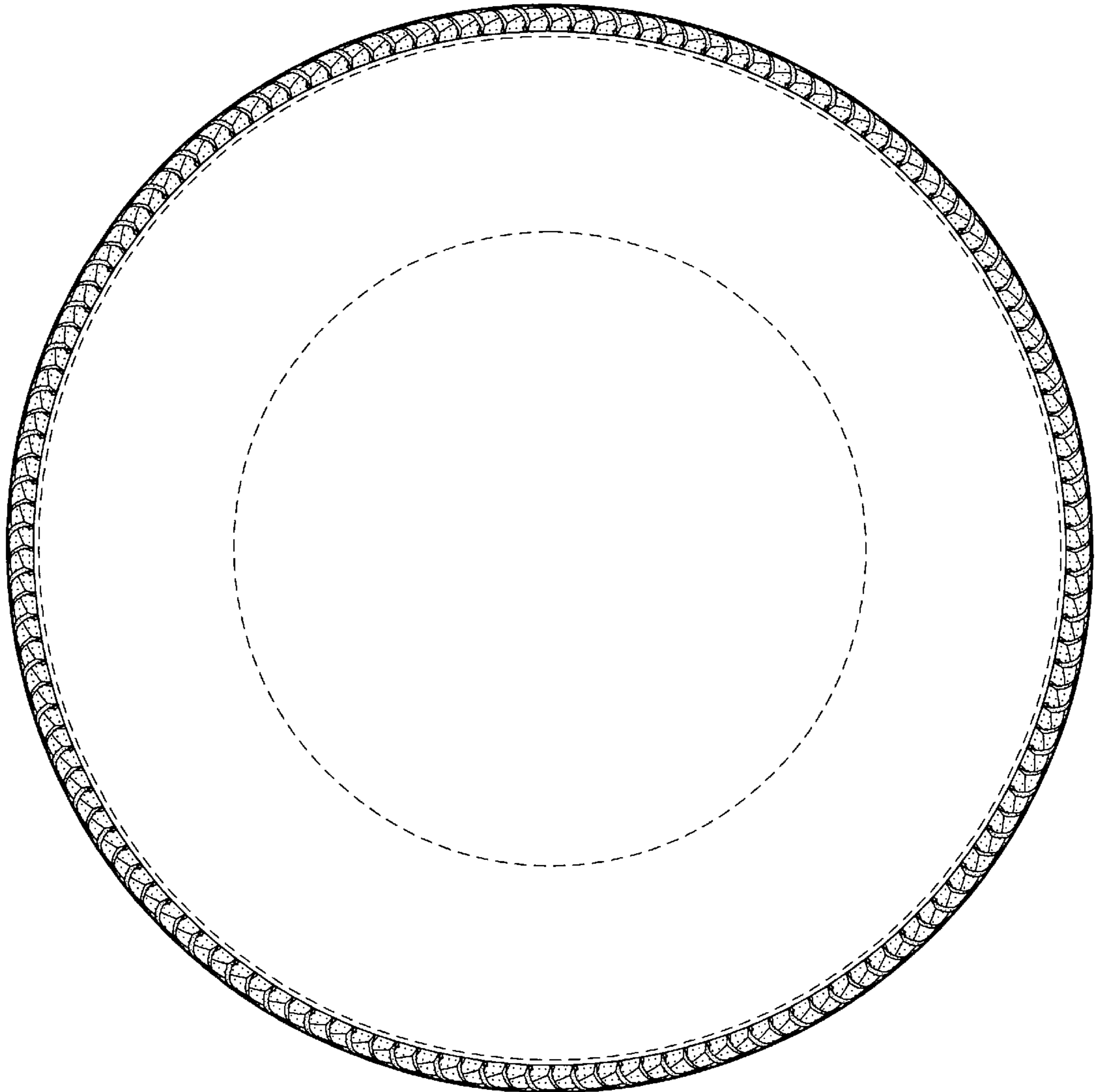


FIGURE 3

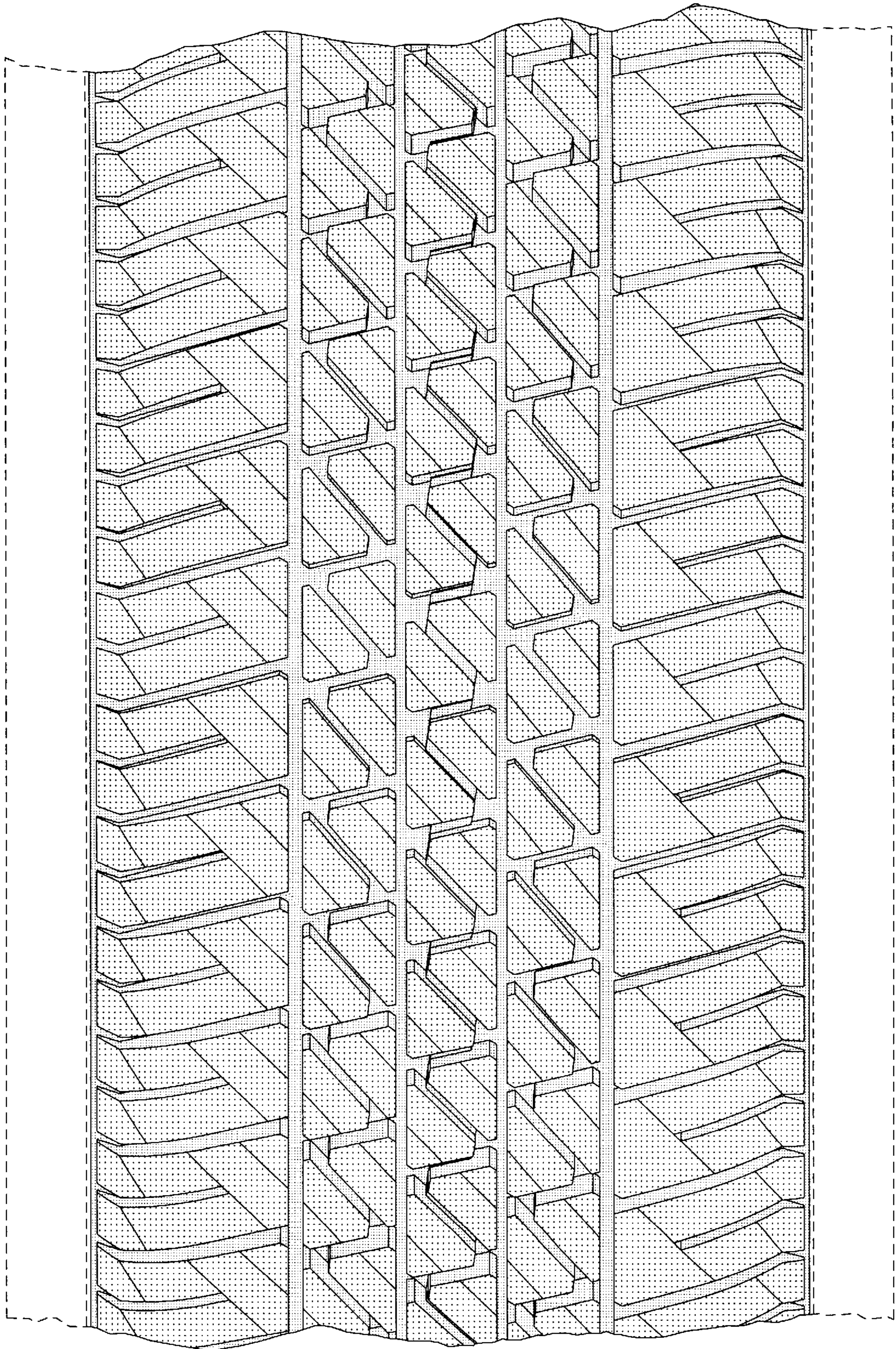


FIGURE 4