



US00D458891S

(12) **United States Design Patent**
Whitley

(10) **Patent No.:** **US D458,891 S**

(45) **Date of Patent:** **** Jun. 18, 2002**

(54) **LIFT-UP CLEAT**

(75) **Inventor:** **Warwick M. Whitley, McAllen, TX (US)**

(73) **Assignee:** **Steelcase Development Corporation, Caledonia, MI (US)**

(**) **Term:** **14 Years**

4,331,096 A	5/1982	Lovejoy	114/218
4,350,108 A	9/1982	Vall	114/102
4,354,445 A	10/1982	Kafka et al.	114/218
4,453,486 A	6/1984	Harken	114/218
4,457,650 A	7/1984	Tseng	410/111
4,527,821 A	7/1985	Tanaka	292/19
4,603,649 A	8/1986	Hystad	114/199
4,672,909 A	6/1987	Sweetsir	114/218
4,689,976 A	9/1987	Larsen	70/208

(List continued on next page.)

(21) **Appl. No.:** **29/095,987**

(22) **Filed:** **Nov. 3, 1998**

(51) **LOC (7) Cl.** **12-06**

(52) **U.S. Cl.** **D12/317**

(58) **Field of Search** D12/300, 318,
D12/317; 114/218, 230, 102; D8/301, 313

FOREIGN PATENT DOCUMENTS

DE 635569 9/1936

OTHER PUBLICATIONS

Osculati brochure dated at least as early as 1993, 3 pages.
"ABI Lift Up Cleat" brochure by A & B Industries Incorporated of Petaluma, California, dated at least as early as Mar. 1998, (1 page).

"Flush Mounted Pop-Up Cleat" brochure by Accon Marine, Inc. of Clearwater, Florida, dated at least as early as Mar. 1998, (4 pages).

U.S. Trademark Registration No. 1,937,562 on Marine Fittings in the name of Accon, Inc. of Clearwater, Florida, registered Nov. 21, 1995, (1 page).

Primary Examiner—Kay H. Chin

(74) *Attorney, Agent, or Firm*—Price, Heneveld, Cooper, DeWitt & Litton

(56) **References Cited**

U.S. PATENT DOCUMENTS

243,374 A	6/1881	Howard et al.
515,818 A	3/1894	Cline
757,882 A	4/1904	Butterworth
1,299,529 A	4/1919	Young
1,868,580 A	7/1932	McKinney
2,045,083 A	6/1936	Illig 292/DIG. 31
2,077,629 A	4/1937	Lahr 292/DIG. 31
2,427,386 A	9/1947	Claud-Mantle 292/169
2,783,494 A	3/1957	Sterling et al. D8/313 X
D183,739 S	10/1958	Gomersall D8/301
2,870,733 A	1/1959	Winther 114/218
3,042,161 A	7/1962	Meyer, Jr. 189/90
3,074,750 A	1/1963	Craig et al. 292/336.3
3,102,708 A	9/1963	Crain 248/361
3,111,833 A	11/1963	Dettmer 70/140
3,126,859 A	3/1964	Bigelow 114/218
3,234,765 A	2/1966	Kerr 70/208
3,257,971 A	6/1966	Swendsen 105/369
3,524,413 A	8/1970	Veasman 105/369
3,747,554 A	7/1973	Allen 114/218
3,915,485 A	10/1975	Richman et al. 292/1
3,917,213 A	11/1975	Poehlmann 248/509
4,254,909 A	3/1981	Rex 238/340
4,270,478 A	6/1981	Kafka et al. 114/218
4,278,042 A	7/1981	Lindquist 114/218

(57) **CLAIM**

The ornamental design for a lift-up cleat, as shown and described.

DESCRIPTION

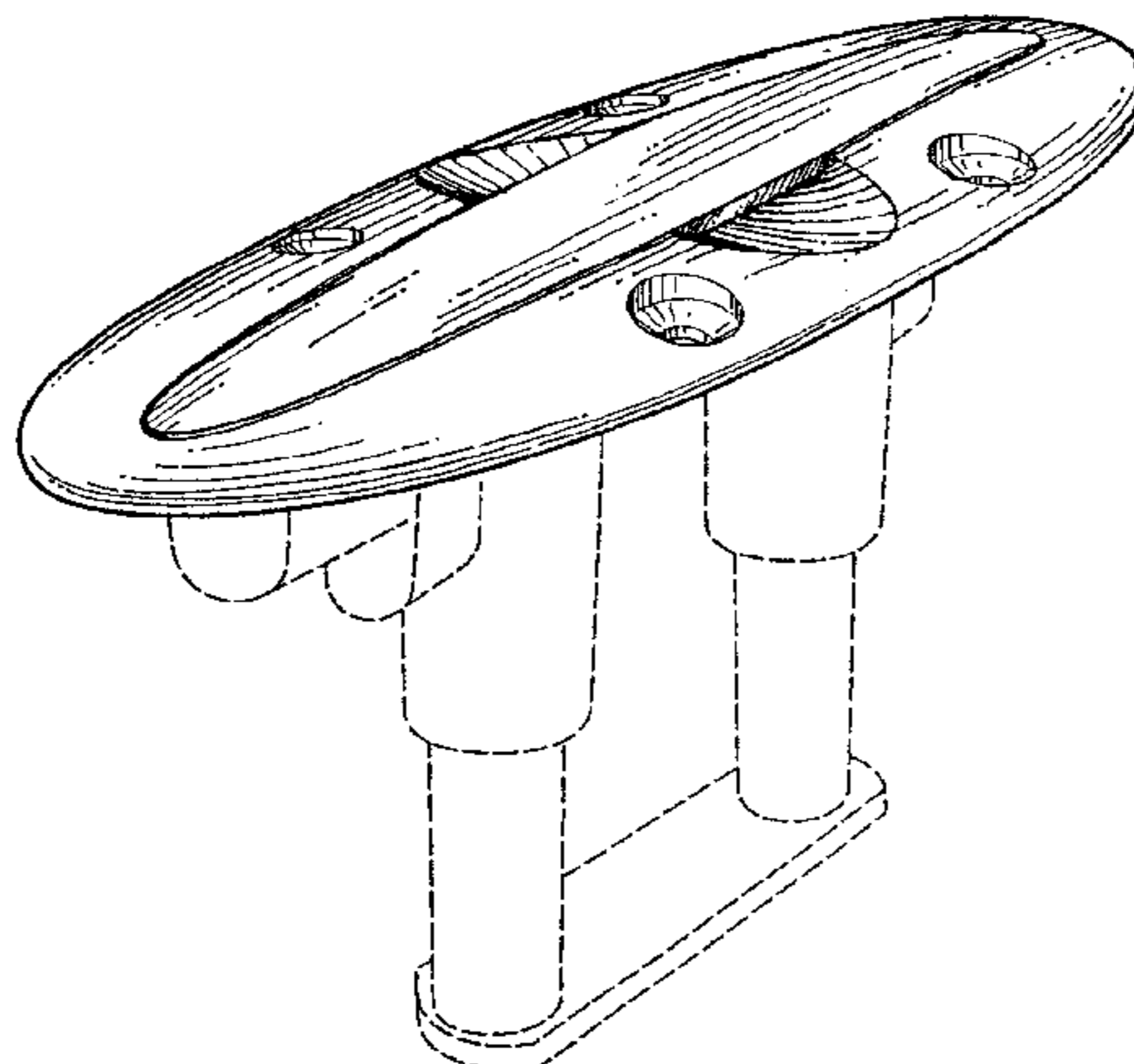
FIG. 1 is a top perspective view of a lift-up cleat, showing my new design;

FIG. 2 is an end elevational view, wherein the opposite end elevational view is substantially identical;

FIG. 3 is a front elevational view, wherein the rear elevational view is substantially identical; and,

FIG. 4 is a top plan view thereof.

1 Claim, 1 Drawing Sheet



US D458,891 S

Page 2

U.S. PATENT DOCUMENTS						
4,809,634 A	3/1989	Czipri	114/218	5,301,627 A	4/1994 Czipri	114/218
4,890,566 A	1/1990	Morris	114/218	5,327,844 A	7/1994 Kress	114/218
4,921,258 A	5/1990	Fournier et al.	277/29	5,442,976 A	8/1995 Cheng	74/594.6
4,945,849 A	8/1990	Morris et al.	114/218	5,477,800 A	12/1995 Lawrence	114/218
4,966,018 A	10/1990	Hauber	70/208	5,477,801 A	12/1995 Lawrence	114/218
4,969,916 A	11/1990	Weinerman et al.	70/208	5,507,505 A	4/1996 von-Arndt et al.	277/208
5,004,388 A	4/1991	Harris	410/107	5,519,959 A	5/1996 Cross	43/21.2
5,058,907 A	10/1991	Percebois et al.	277/207 A	5,520,134 A	5/1996 Walker	114/230
5,106,248 A	4/1992	Harris	114/218 X	5,535,694 A	7/1996 Czipri	114/218
				D376,752 S	12/1996 Benveniste	D8/356

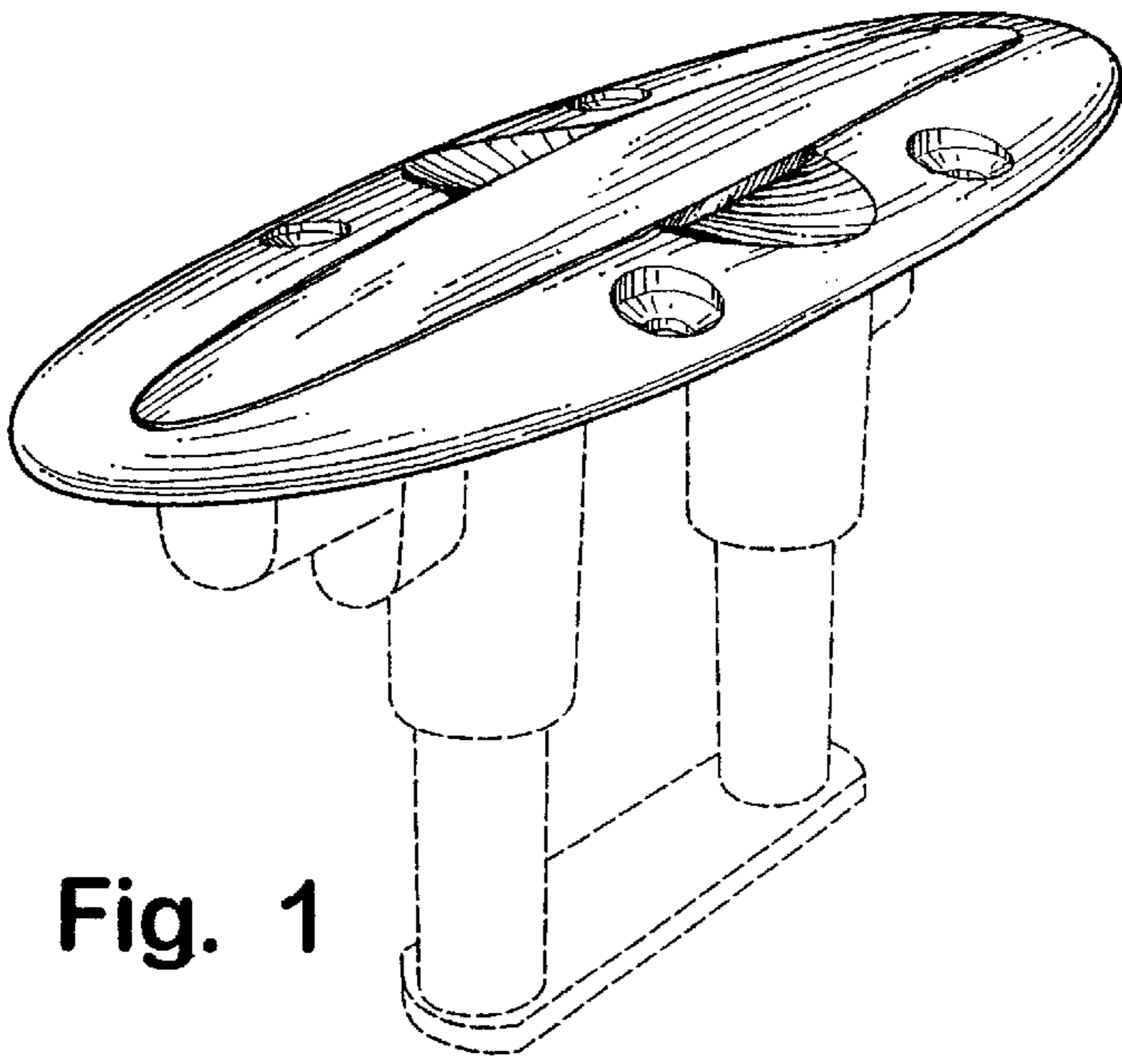


Fig. 1

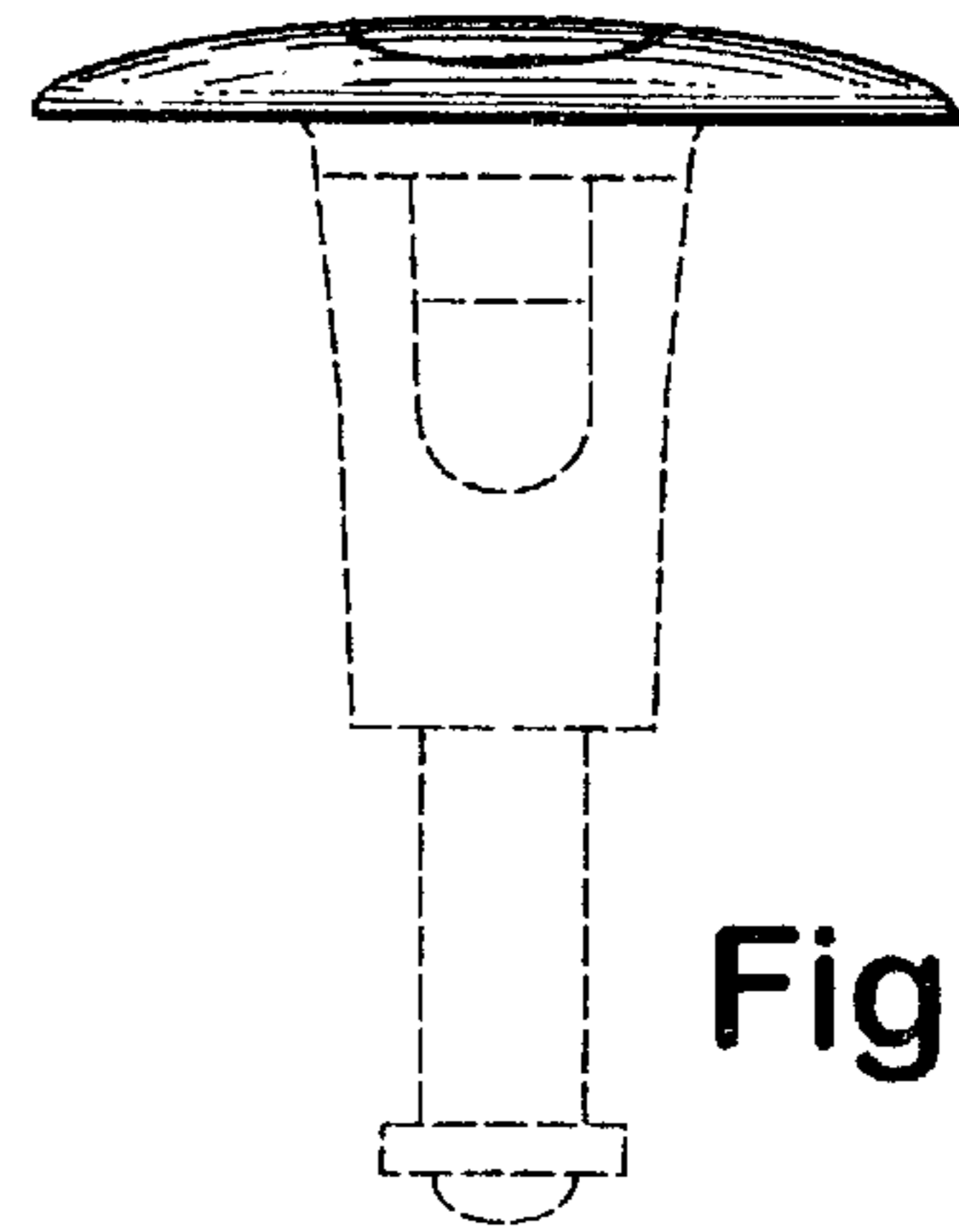


Fig. 2

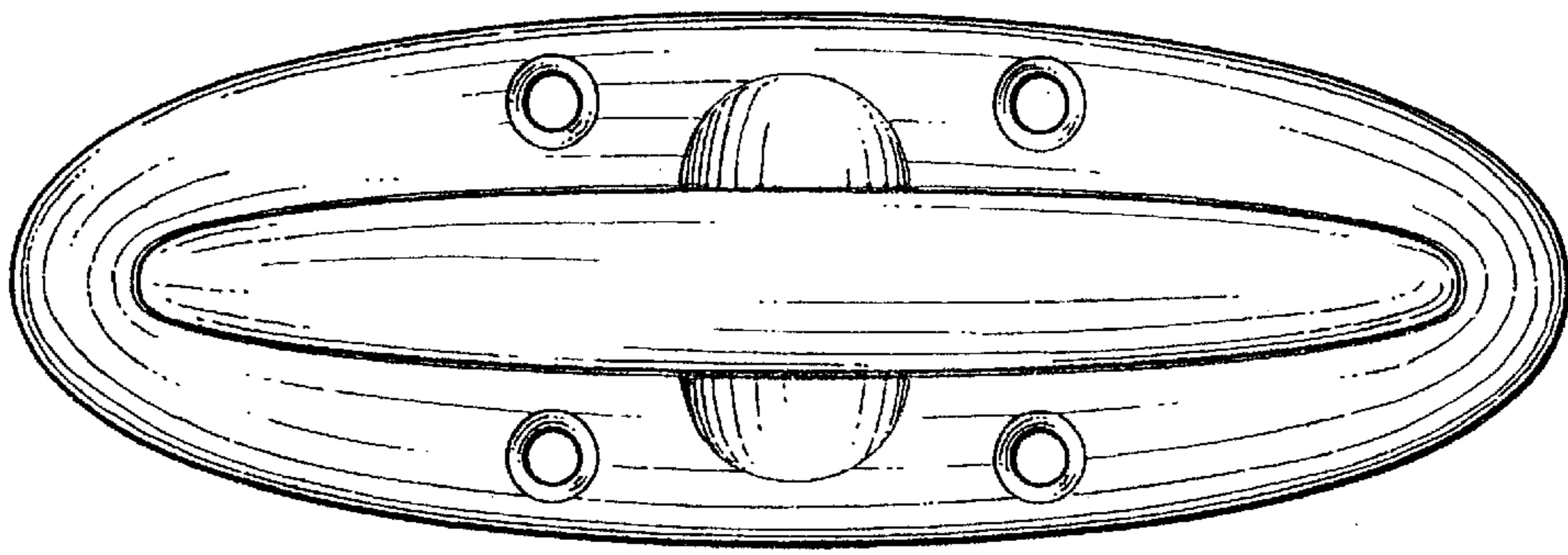


Fig. 4

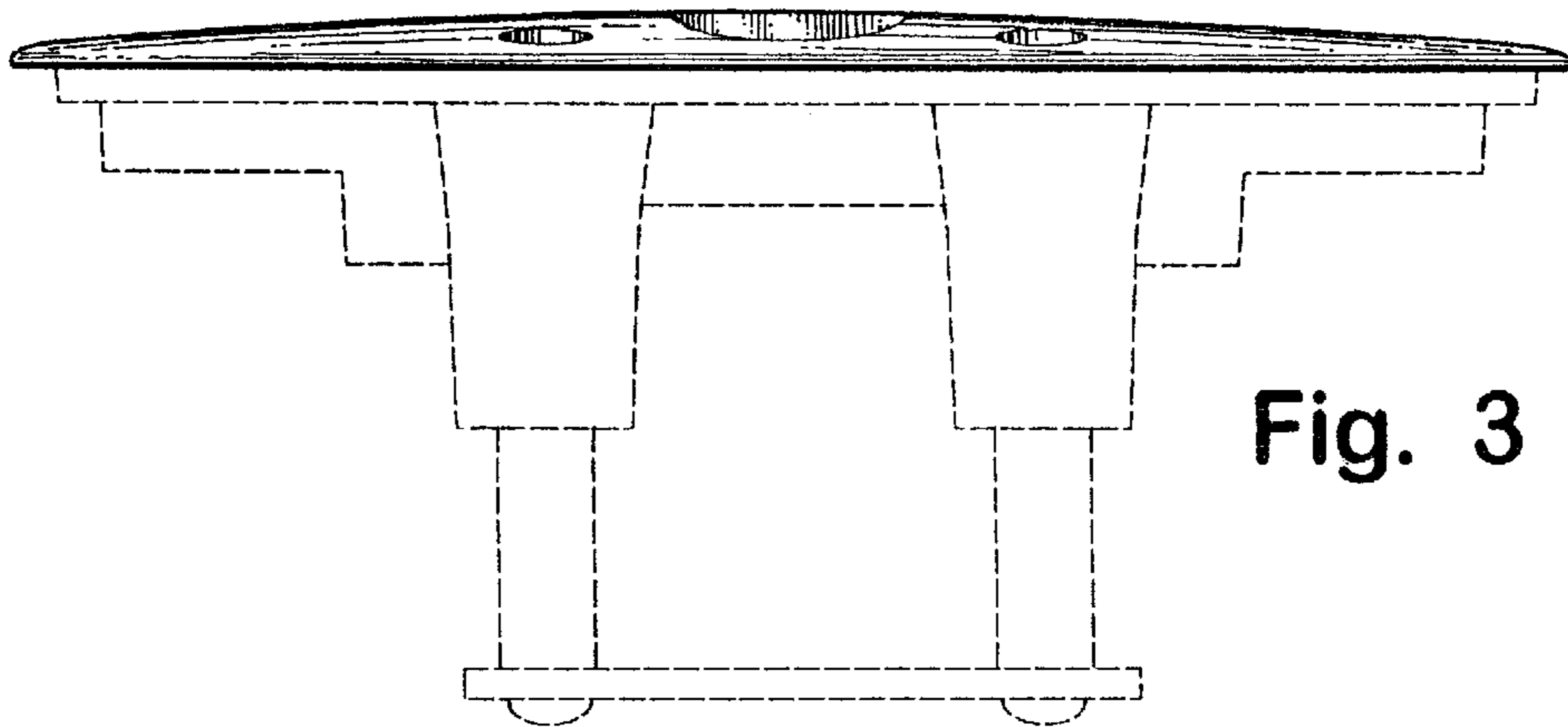


Fig. 3