



US00D45889S

(12) **United States Design Patent**  
**Fitzgerald**

(10) **Patent No.:**

**US D458,889 S**

(45) **Date of Patent:**

**\*\* Jun. 18, 2002**

(54) **MOTOR VEHICLE WHEEL FRONT FACE**

(75) **Inventor: Kevin Fitzgerald, Long Beach, CA (US)**

(73) **Assignee: KMC Products, Inc., Riverside, CA (US)**

(\*\*) **Term: 14 Years**

(21) **Appl. No.: 29/148,870**

(22) **Filed: Sep. 28, 2001**

(51) **LOC (7) Cl. .... 12-16**

(52) **U.S. Cl. .... D12/211**

(58) **Field of Search ..... D12/204-211;  
301/37.1, 64.1, 65**

(56) **References Cited**

**U.S. PATENT DOCUMENTS**

D352,688 S	*	11/1994	Boselli	.....	D12/211
D405,749 S	*	2/1999	Kulla	.....	D12/211
D409,132 S	*	5/1999	Cullen	.....	D12/211
D413,853 S	*	9/1999	Hale, Jr.	.....	D12/211
D414,454 S	*	9/1999	Chung	.....	D12/211
D418,473 S	*	1/2000	Chung	.....	D12/211

D422,550 S	*	4/2000	Chung	.....	D12/211
D423,445 S	*	4/2000	Baumgartner	.....	D12/211
D424,500 S	*	5/2000	Johnson	.....	D12/209
D428,379 S	*	7/2000	Donikoglu	.....	D12/211
D428,380 S	*	7/2000	Chinellato	.....	D12/211
D441,339 S	*	5/2001	Hussaini et al.	.....	D12/211
D442,532 S	*	5/2001	Chung	.....	D12/209
D446,180 S	*	8/2001	Sulahian et al.	.....	D12/211
D450,030 S	*	11/2001	Pfeiffer	.....	D12/211

\* cited by examiner

*Primary Examiner*—Stacia Cadmus

(74) *Attorney, Agent, or Firm*—Dykema Gossett PLLC

(57) **CLAIM**

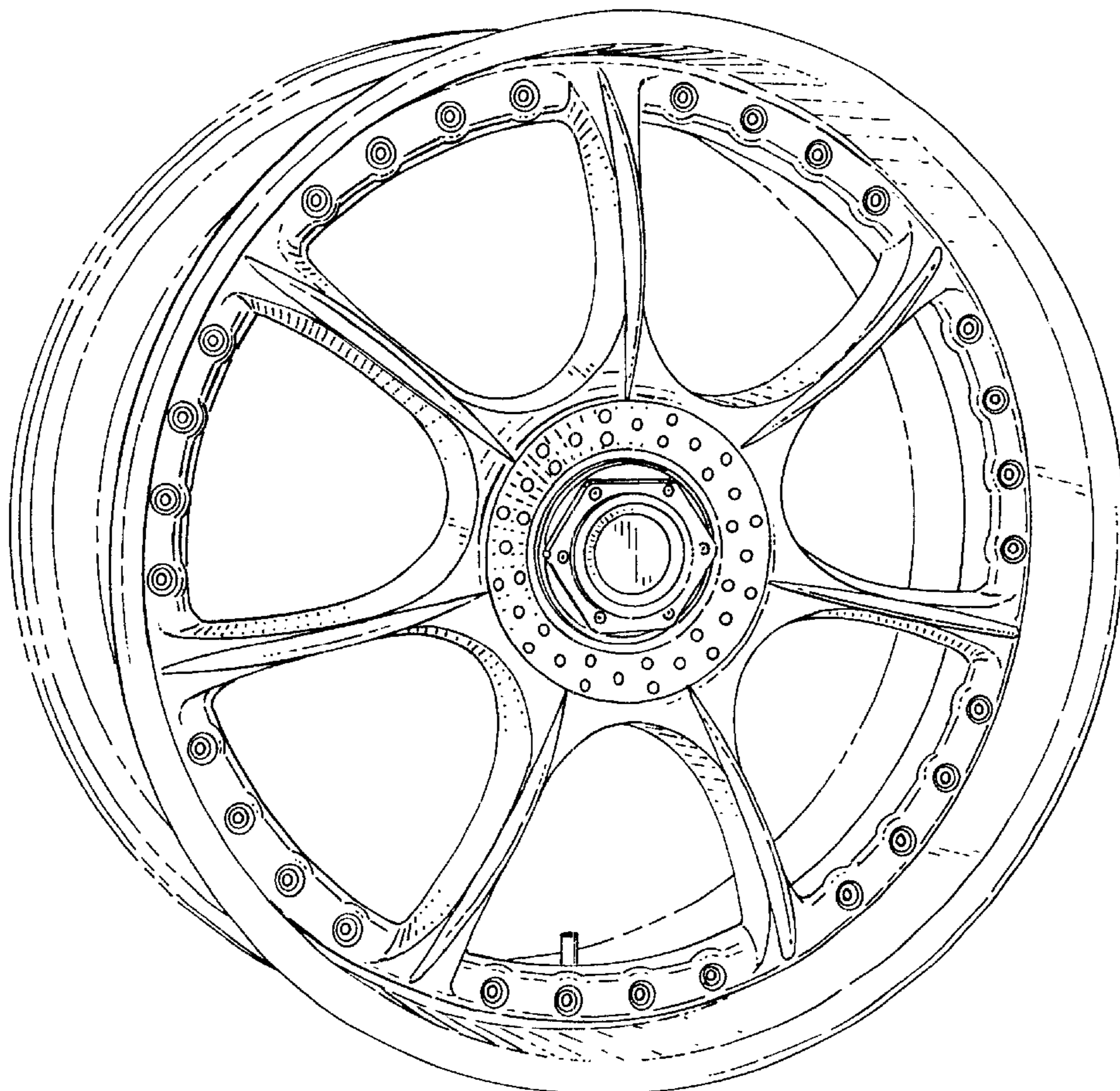
The ornamental design for a motor vehicle wheel front face, as shown and described.

**DESCRIPTION**

FIG. 1 is a front perspective view of a motor vehicle wheel front face showing my new design; and, FIG. 2 is a front elevational view of the wheel shown in FIG. 1.

The phantom line showing of environment is for illustrative purposes only and forms no part of the claimed design.

**1 Claim, 2 Drawing Sheets**



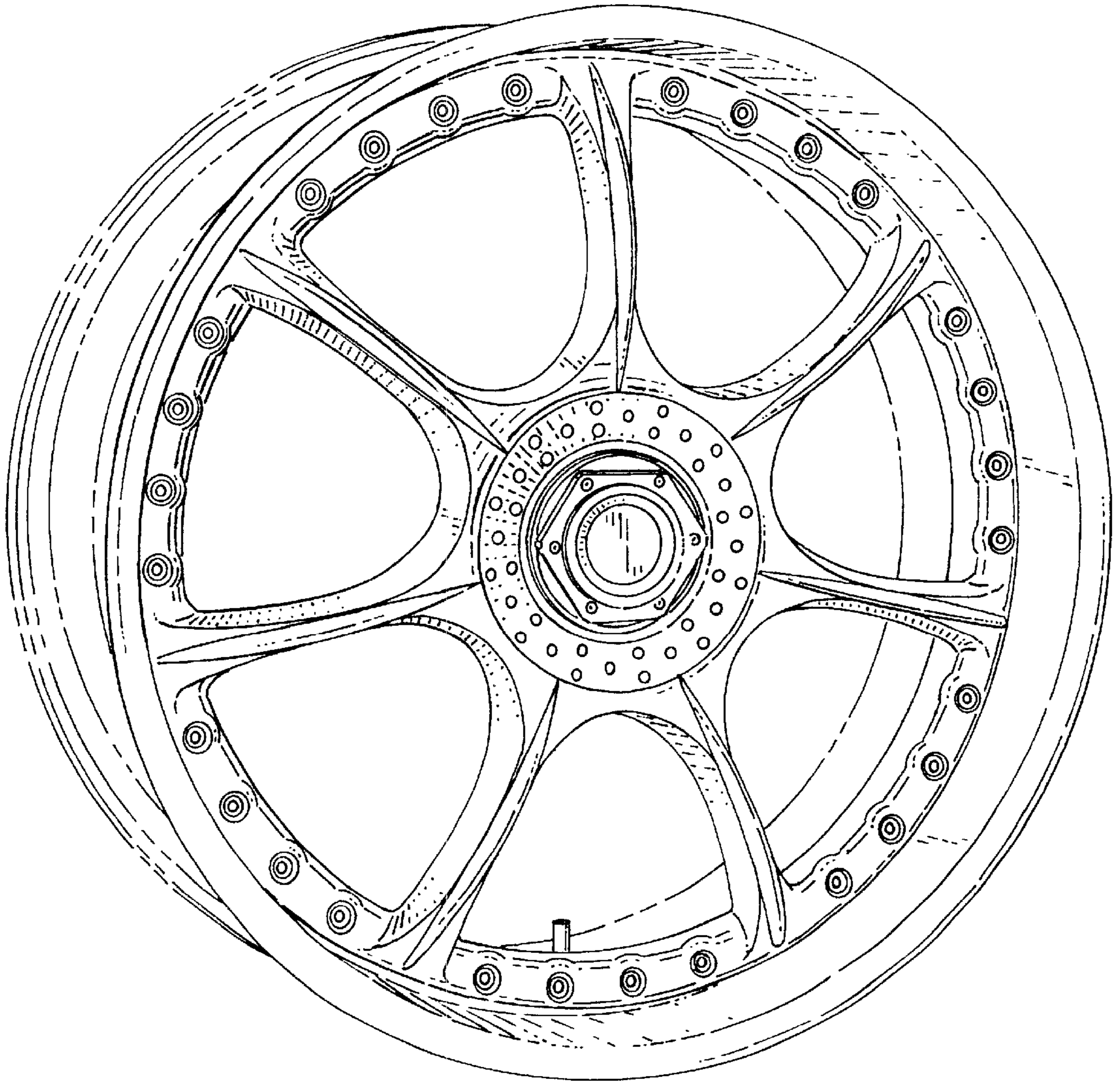


FIG. 1

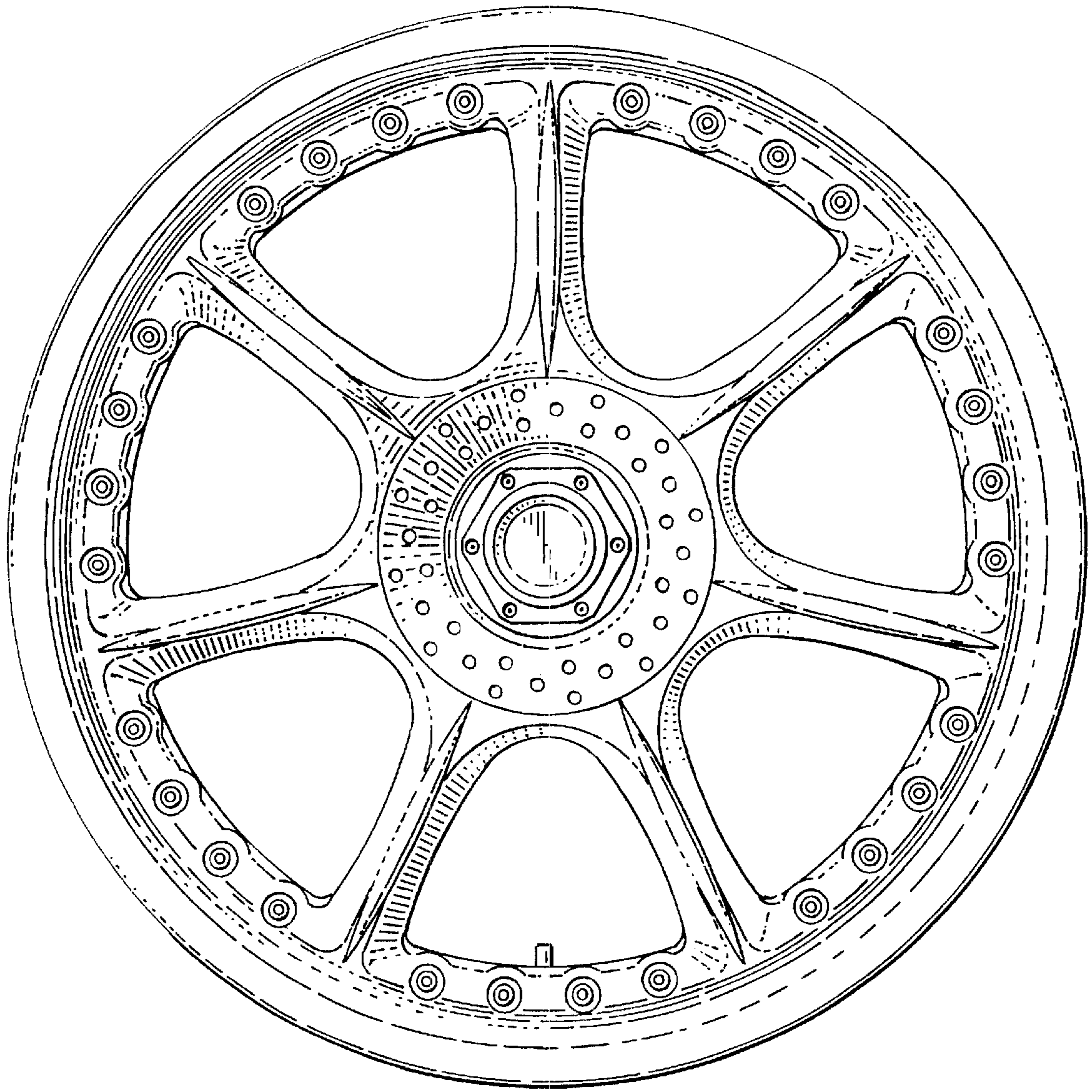


FIG. 2