



US00D45883S

(12) **United States Design Patent**
Tsay et al.

(10) **Patent No.:** **US D458,883 S**

(45) **Date of Patent:** **** Jun. 18, 2002**

(54) **DOOR PANEL**

(75) Inventors: **Michael Tsay**, Irvine; **Clarissa McPeck**, Pasadena, both of CA (US)

(73) Assignee: **Honda Giken Kogyo Kabushiki Kaisha**, Tokyo (JP)

(**) Term: **14 Years**

(21) Appl. No.: **29/148,249**

(22) Filed: **Sep. 18, 2001**

(51) **LOC (7) Cl.** **12-16**

(52) **U.S. Cl.** **D12/195**

(58) **Field of Search** D12/195, 190;
49/501, 502; 296/37.1, 37.13, 149, 153,
146.1

(56) **References Cited**

U.S. PATENT DOCUMENTS

- D338,865 S * 8/1993 Lim D12/195
- D382,528 S * 8/1997 Hellhake et al. D12/195
- D387,024 S * 12/1997 Hellhake et al. D12/195
- D409,965 S * 5/1999 Mueller et al. D12/195

- D411,157 S * 6/1999 Sacco et al. D12/195
- D415,461 S * 10/1999 Sacco et al. D12/195
- D433,978 S * 11/2000 Tsay D12/195
- D434,710 S * 12/2000 Tsay D12/195
- D435,003 S * 12/2000 Tsay D12/195

* cited by examiner

Primary Examiner—Stacia Cadmus

(74) *Attorney, Agent, or Firm*—Banner & Witcoff, Ltd.

(57) **CLAIM**

The ornamental design for a door panel, as shown and described.

DESCRIPTION

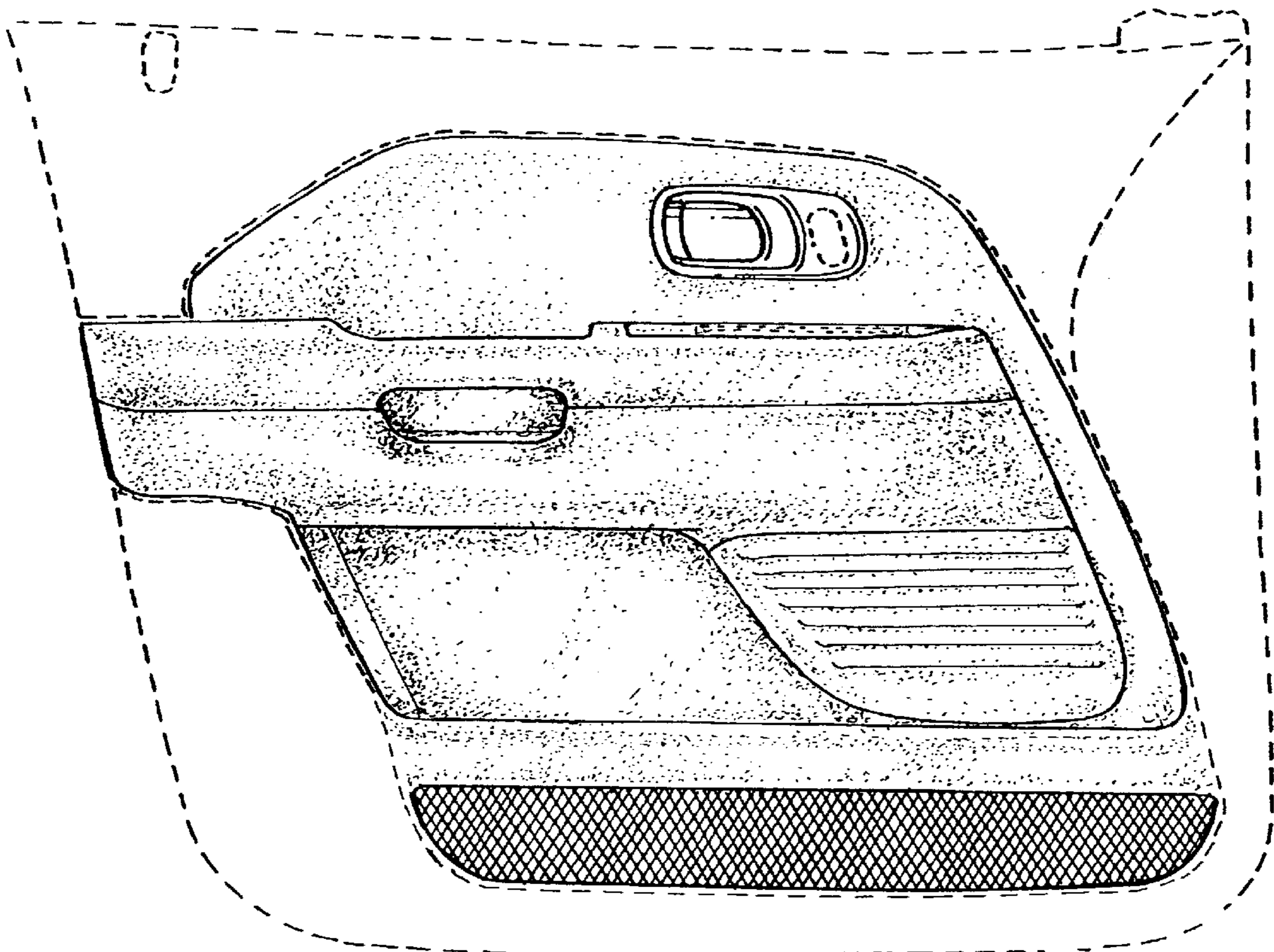
FIG. 1 is a perspective view of the door panel showing our new design;

FIG. 2 is an elevational view thereof; and,

FIG. 3 is a top elevational view thereof.

The broken line showings of the rectangular area on the armrest and the control button in the door handle area and the interior of the door are for illustrative purposes only and form no part of the claimed design.

1 Claim, 2 Drawing Sheets



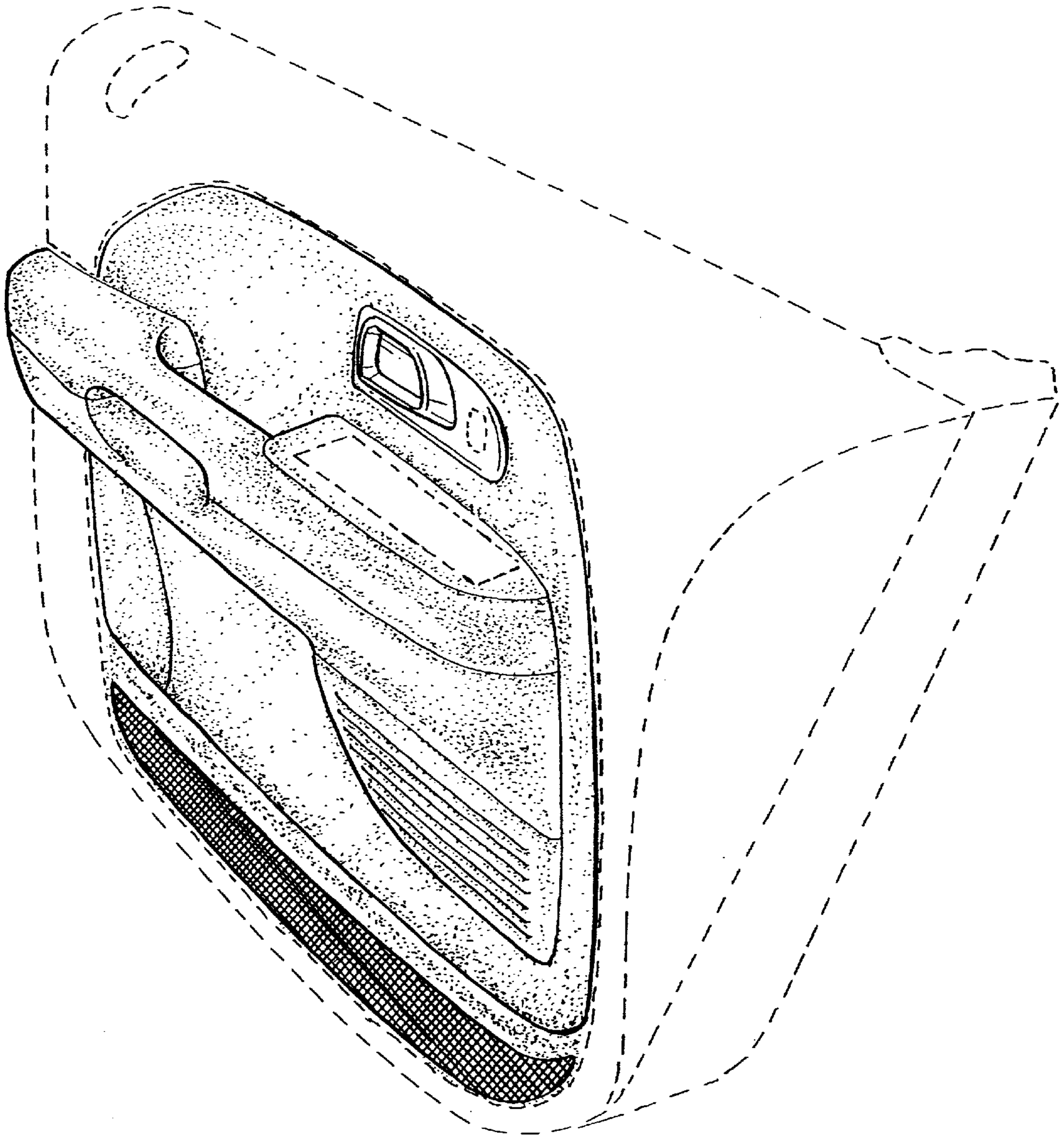


FIG. 1

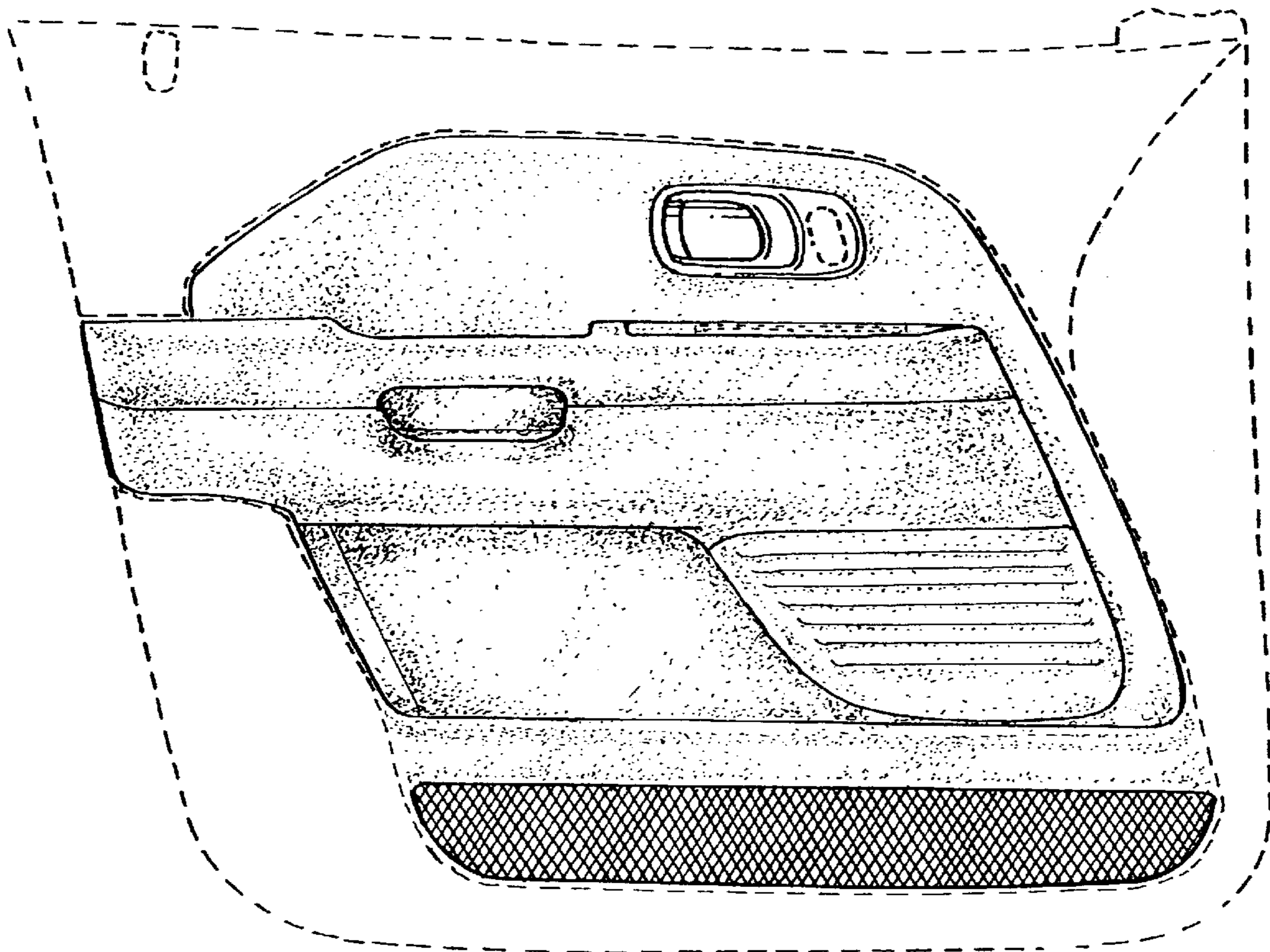


FIG. 2

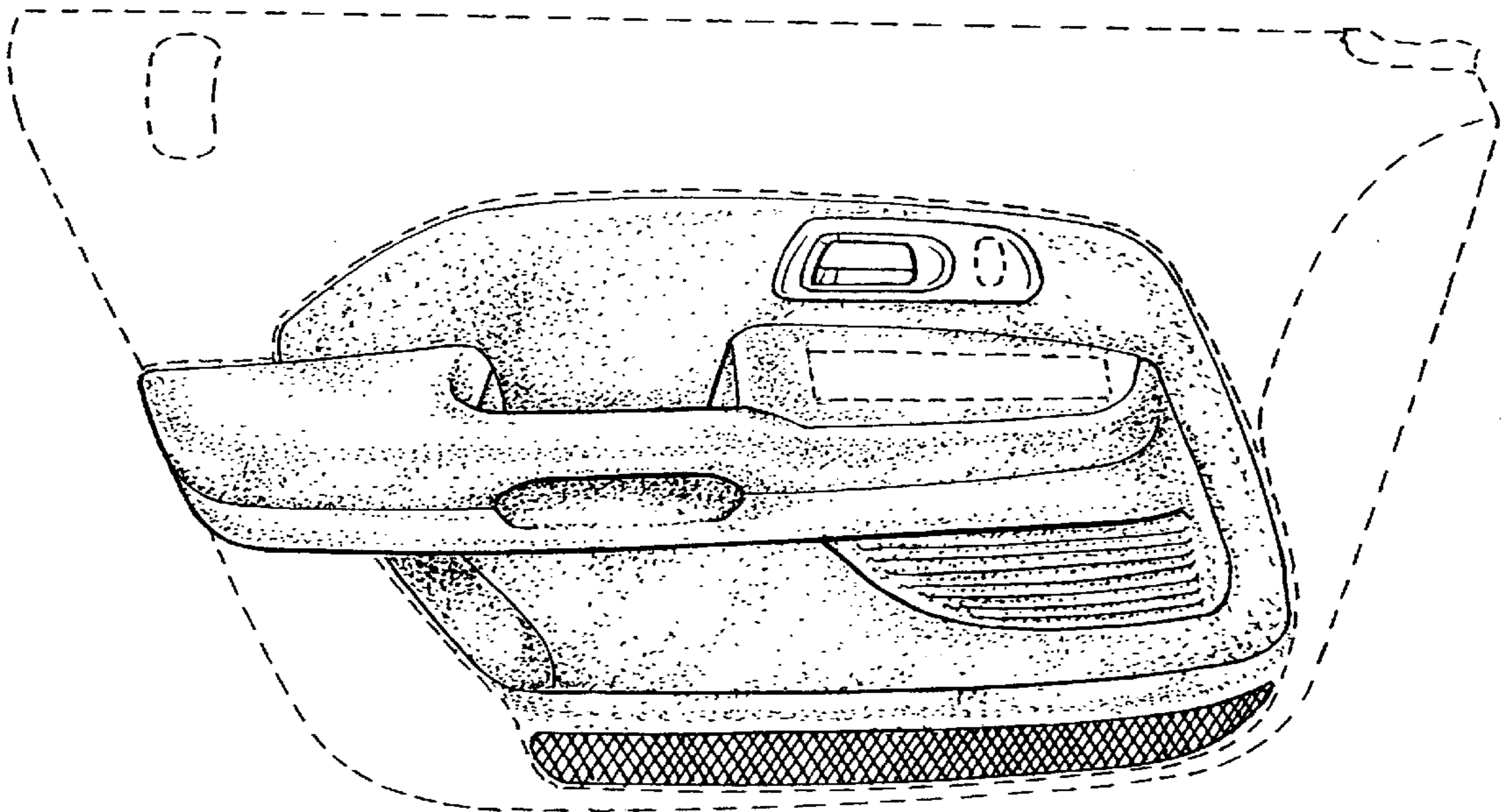


FIG. 3