



US00D45880S

(12) **United States Design Patent**
Hallgrimsson

(10) **Patent No.:** **US D458,880 S**

(45) **Date of Patent:** **** Jun. 18, 2002**

(54) **FRONT JOINT**

D356,061 S * 3/1995 Gelbein D12/179
D365,675 S * 1/1996 Mac Millan D12/179 X

(75) Inventor: **Bjarki Hallgrimsson, Ottawa (CA)**

* cited by examiner

(73) Assignee: **Random Products Trust (BB)**

Primary Examiner—Melody N. Brown

(**) Term: **14 Years**

(57) **CLAIM**

(21) Appl. No.: **29/126,239**

The ornamental design for a front joint, as shown and described.

(22) Filed: **Jul. 10, 2000**

(30) **Foreign Application Priority Data**

DESCRIPTION

Jan. 25, 2000 (CA) 2000-0170

FIG. 1 is a side view of the front joint showing my new design;

(51) **LOC (7) Cl.** **12-16**

FIG. 2 is a top view thereof;

(52) **U.S. Cl.** **D12/179**

FIG. 3 is a bottom view thereof;

(58) **Field of Search** D12/179; 74/551.8,
74/551.9, 502.5, 512, 473.13, 473.14, 473.16,
489

FIG. 4 is a front view thereof;

FIG. 5 is a rear view thereof; and,

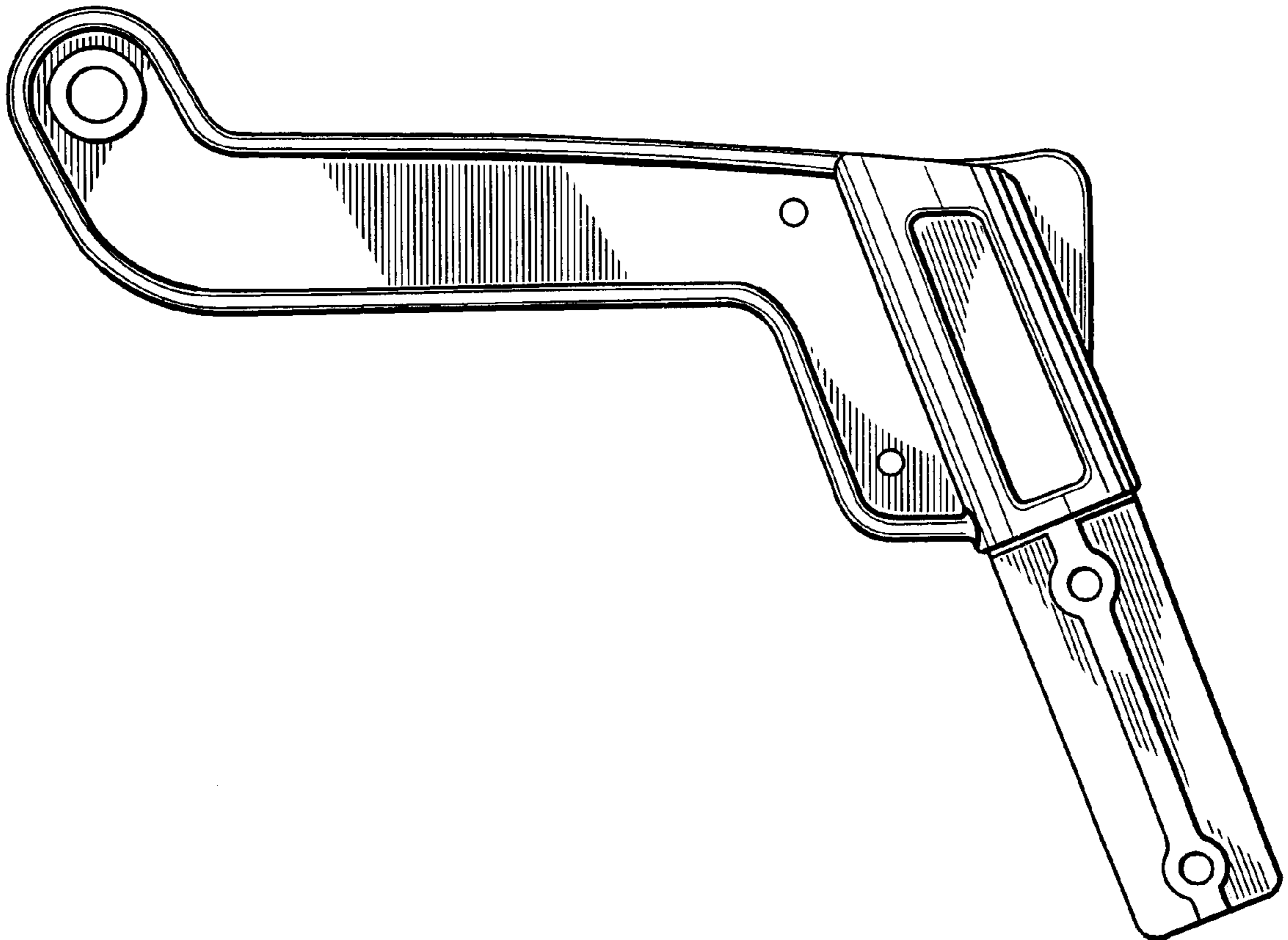
(56) **References Cited**

FIG. 6 is a side view showing the side opposite to FIG. 1 thereof.

U.S. PATENT DOCUMENTS

D342,661 S * 12/1993 Liao D8/303

1 Claim, 2 Drawing Sheets



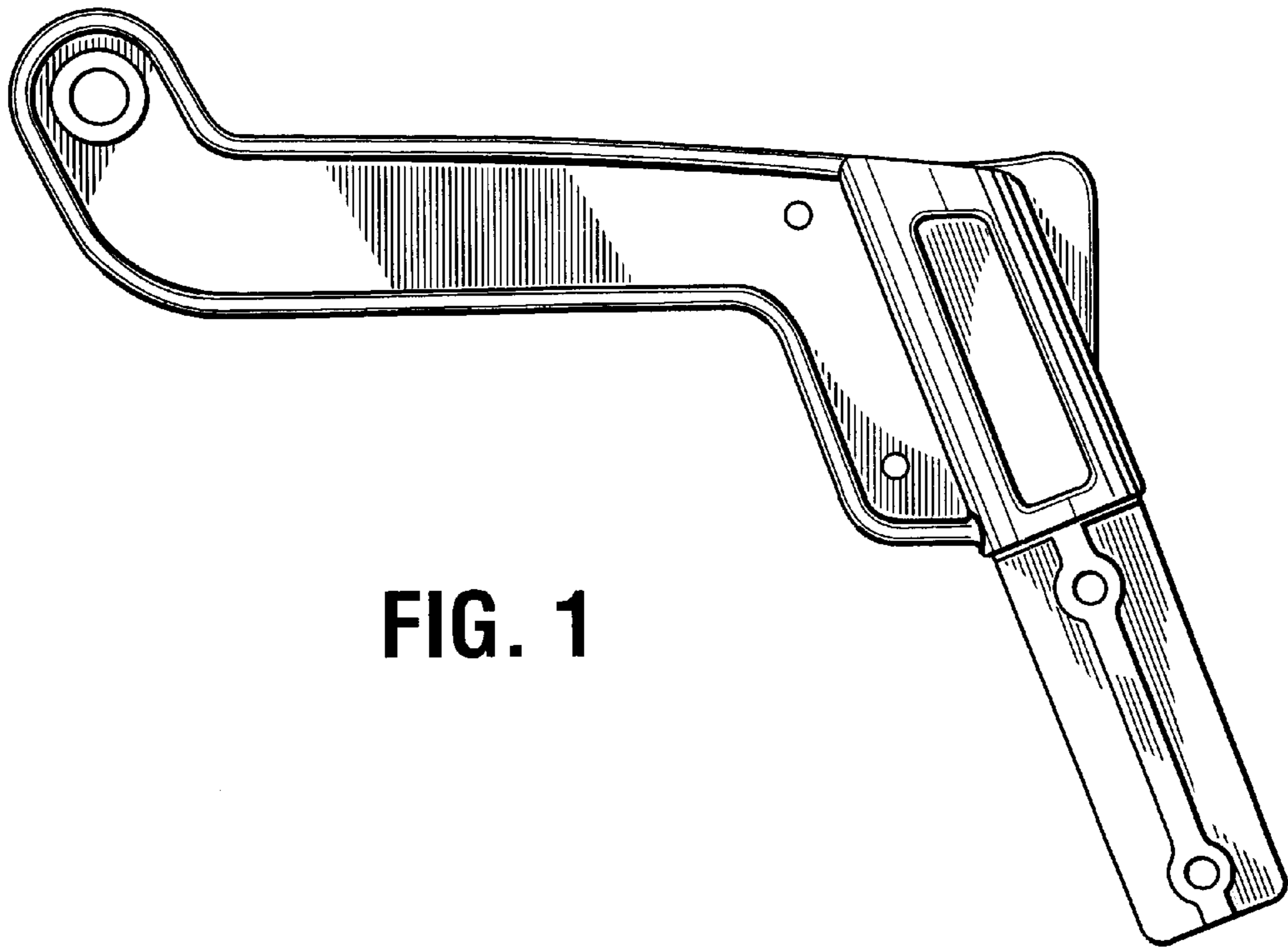


FIG. 1

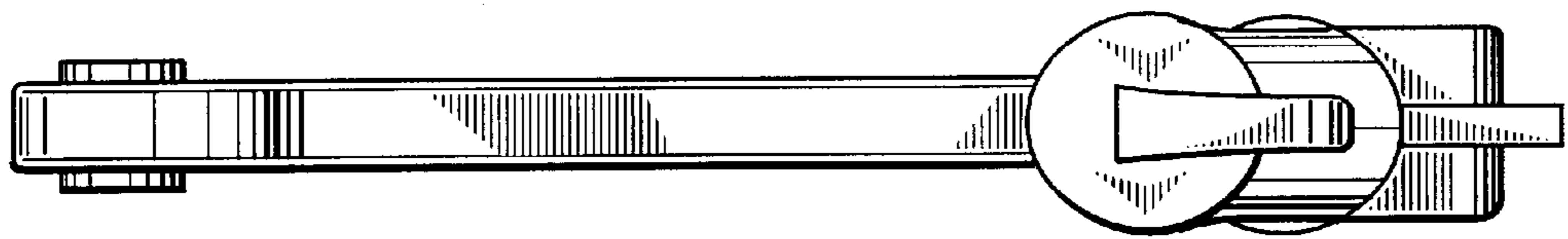


FIG. 2

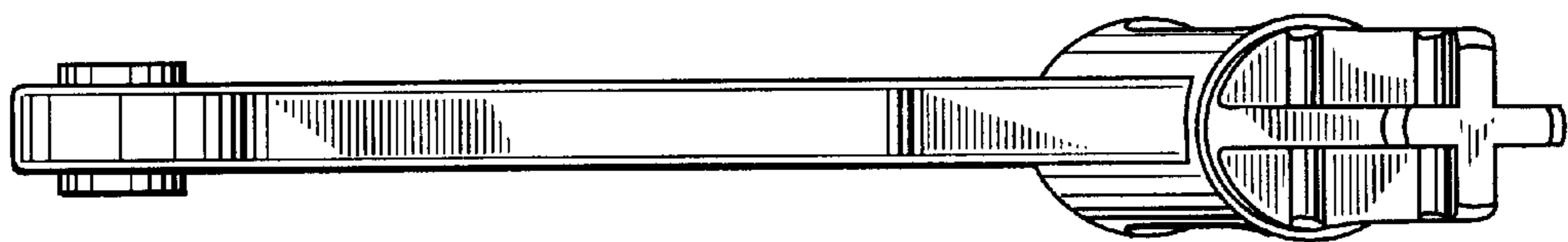


FIG. 3

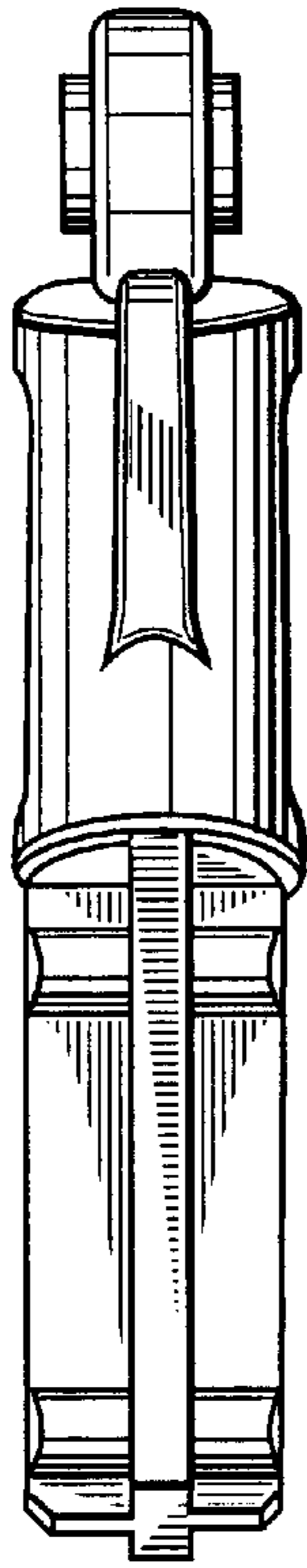


FIG. 4

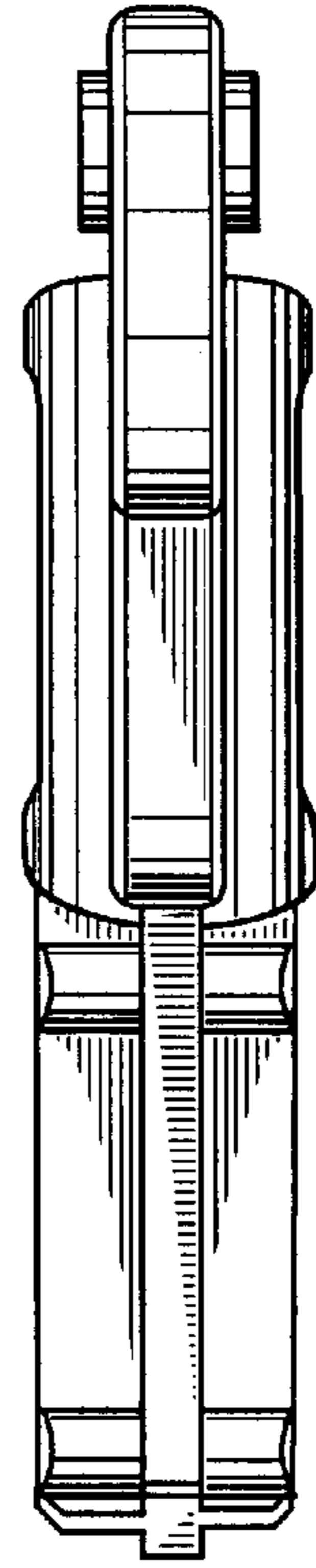


FIG. 5

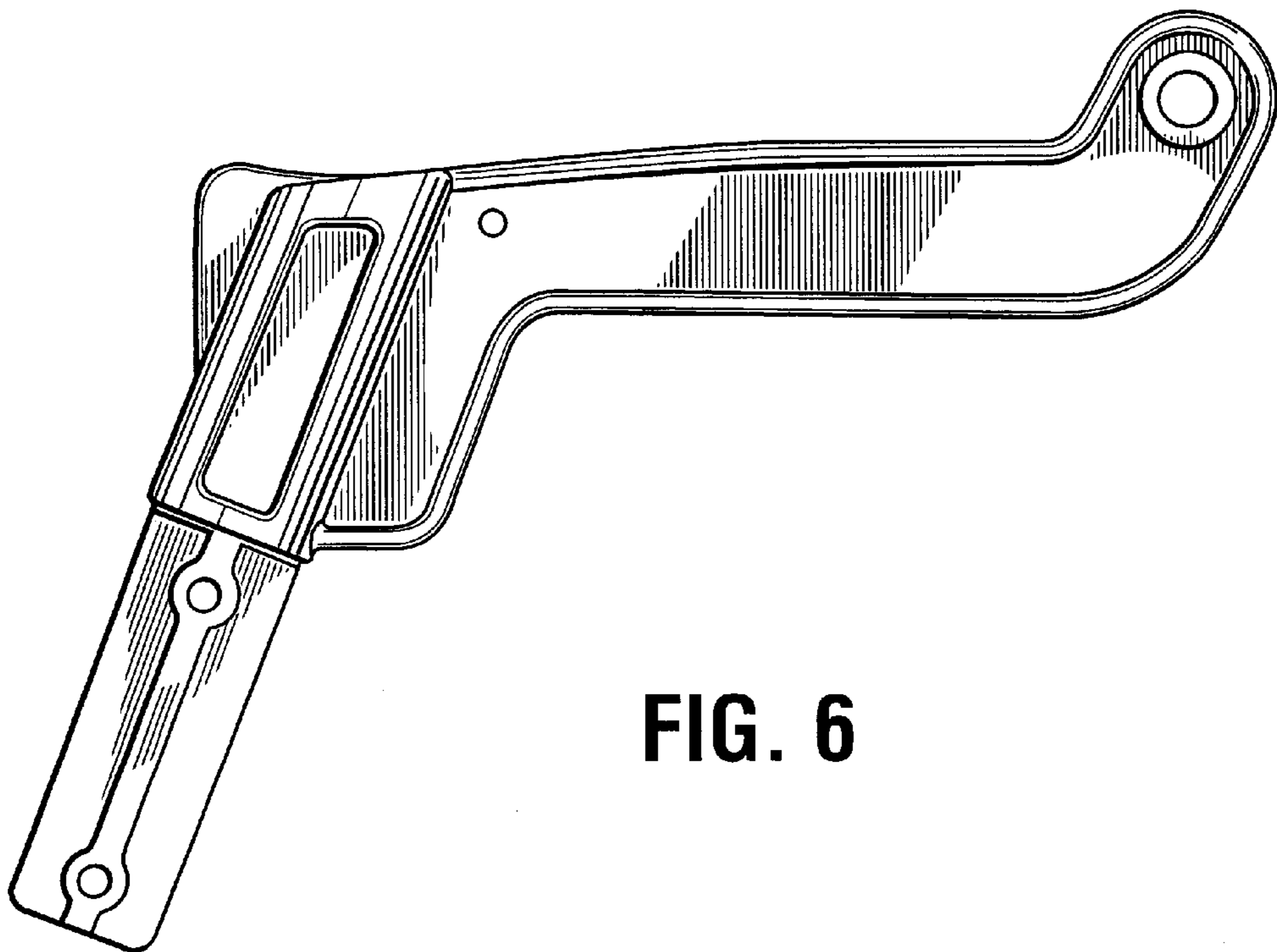


FIG. 6