



US00D458878S

(12) **United States Design Patent**
Greco

(10) **Patent No.:** **US D458,878 S**

(45) **Date of Patent:** **** Jun. 18, 2002**

(54) **TRAILER HITCH FISHING POLE HOLDER**

(76) Inventor: **Paul Greco**, 3970 Albin Ave., North
Port, FL (US) 34286

(**) Term: **14 Years**

(21) Appl. No.: **29/147,898**

(22) Filed: **Sep. 7, 2001**

(51) **LOC (7) Cl.** **12-16**

(52) **U.S. Cl.** **D12/162; D6/552**

(58) **Field of Search** D12/400, 406,
D12/162; D6/552, 457; 43/21.22; D22/147-148;
211/70.8, 60.1, 85.7, 86.01; 224/557, 569,
922; 160/327; 248/514, 534, 538

(56) **References Cited**

U.S. PATENT DOCUMENTS

D222,483 S	*	10/1971	Plath	D6/552 X
D255,259 S	*	6/1980	Nelson	D22/148
D261,581 S		11/1981	Buchanan		
4,372,072 A	*	2/1983	Comeau	43/21.2
D303,053 S	*	8/1989	Albert et al.	D6/552
D307,087 S	*	4/1990	Gibson et al.	D6/552
5,033,223 A		7/1991	Minter		
5,205,446 A		4/1993	Greenberg		
5,435,473 A		7/1995	Larkum		
5,460,306 A		10/1995	Rudd		
5,487,475 A	*	1/1996	Knee	211/70.8

D373,867 S	*	9/1996	Rask	D6/552 X
D381,392 S	*	7/1997	Darling	D22/148
5,715,952 A	*	2/1998	Chichetti	211/70.8
5,813,164 A	*	9/1998	Liberto	43/21.2
5,815,976 A		10/1998	Jernigan et al.		

* cited by examiner

Primary Examiner—Stacia Cadmus

(57) **CLAIM**

The ornamental design for a trailer hitch fishing pole holder, as shown and described.

DESCRIPTION

FIG. 1 is a front elevational view of the trailer hitch fishing pole holder of the present invention;
 FIG. 2 is a rear elevational view of the trailer hitch fishing pole holder of FIG. 1;
 FIG. 3 is a left side elevational view of the trailer hitch fishing pole holder of FIG. 1; the right side view being a mirror image thereof;
 FIG. 4 is a top plan view of the trailer hitch fishing pole holder of FIG. 1; and,
 FIG. 5 is a bottom plan view of the trailer hitch fishing pole holder of FIG. 1.
 The hollow interior of the square hitch tube shown in FIG. 2 and the round rod holders shown in FIGS. 4 and 5 are plain and unornamental and form no part of the claimed design.

1 Claim, 3 Drawing Sheets

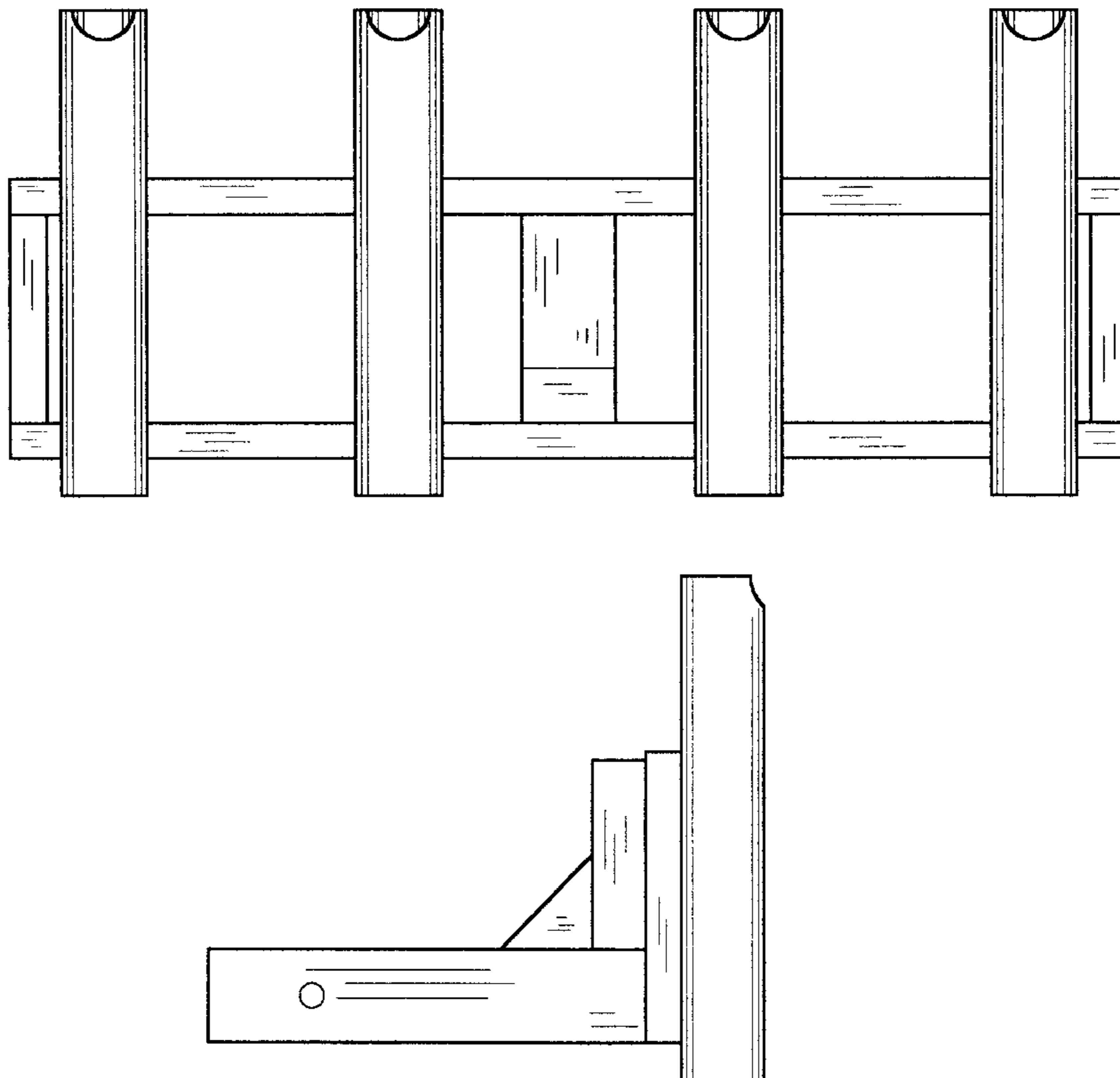


FIG. 1

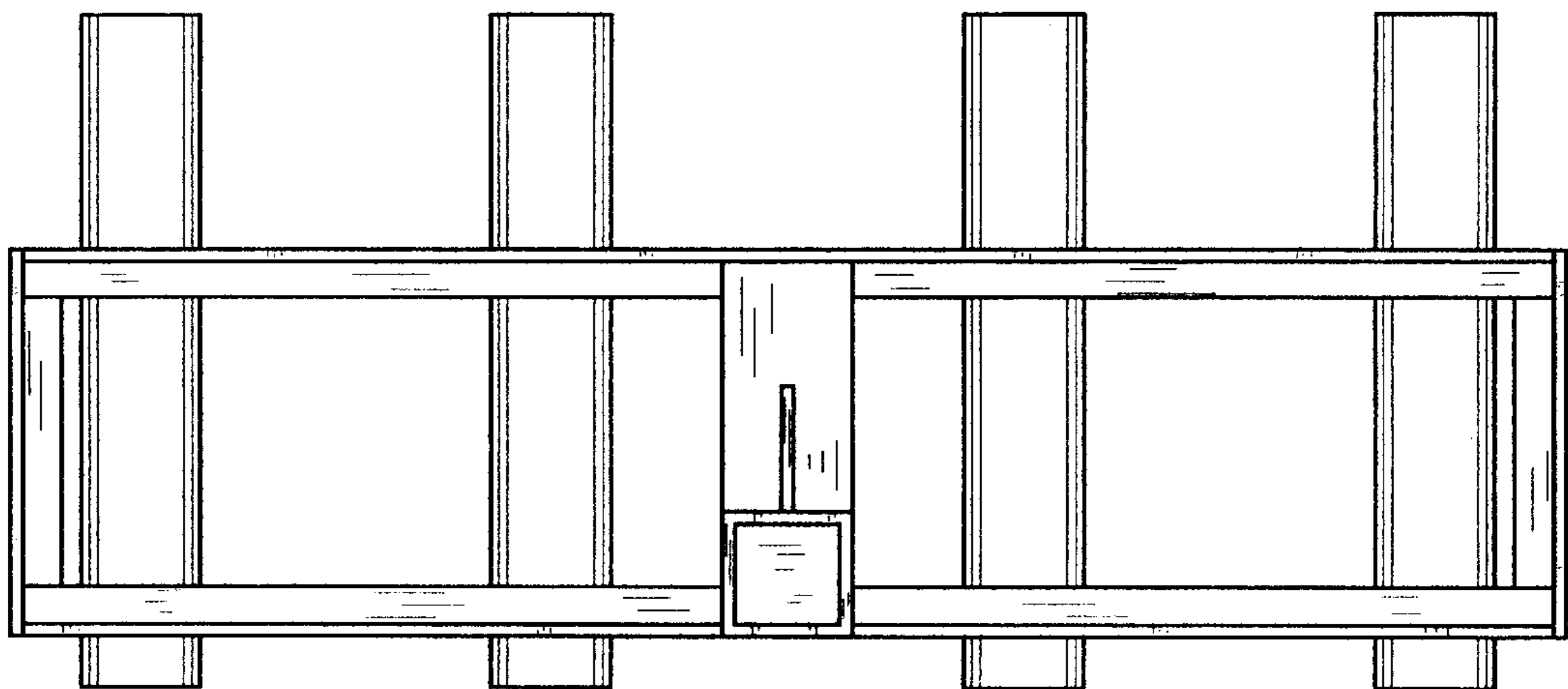
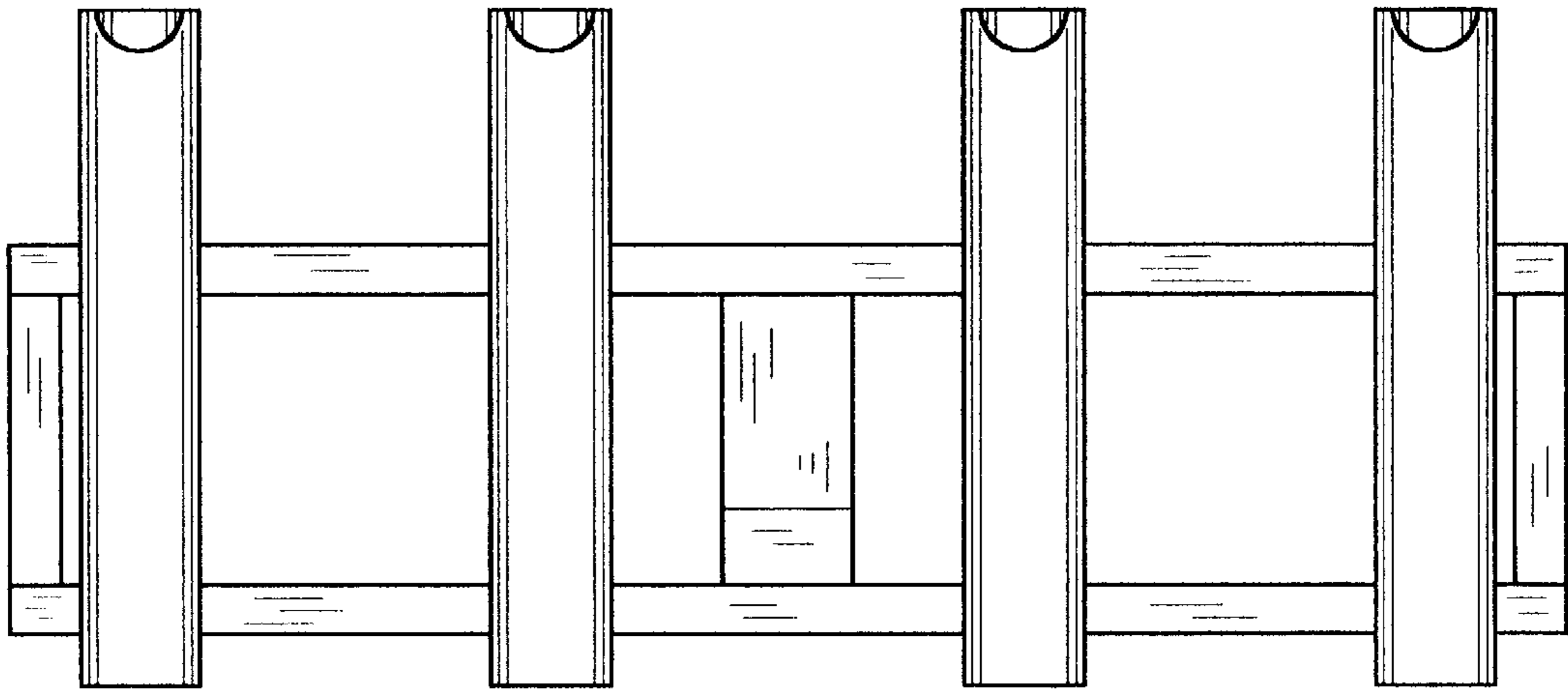


FIG. 2

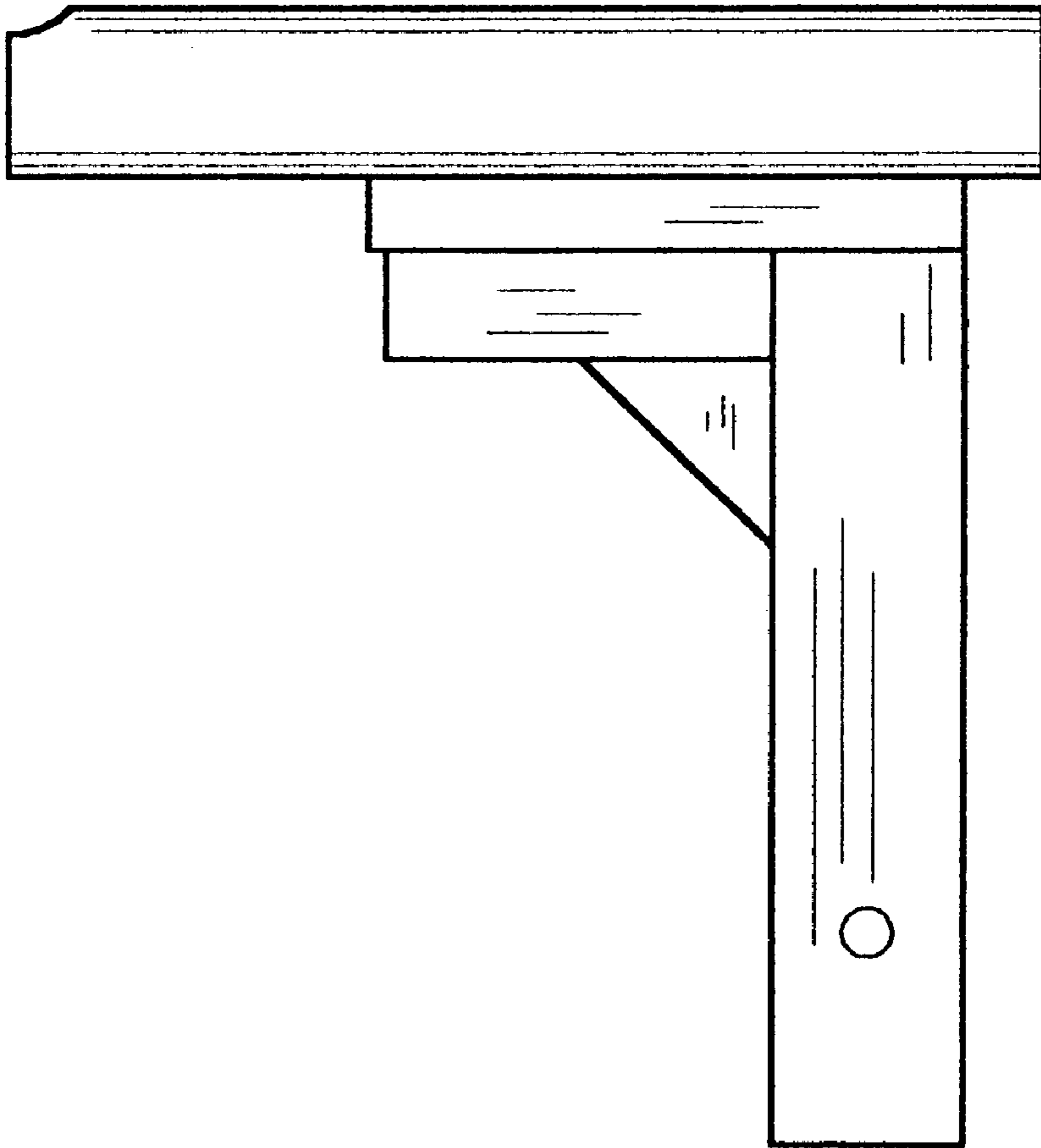


FIG. 3

FIG. 4

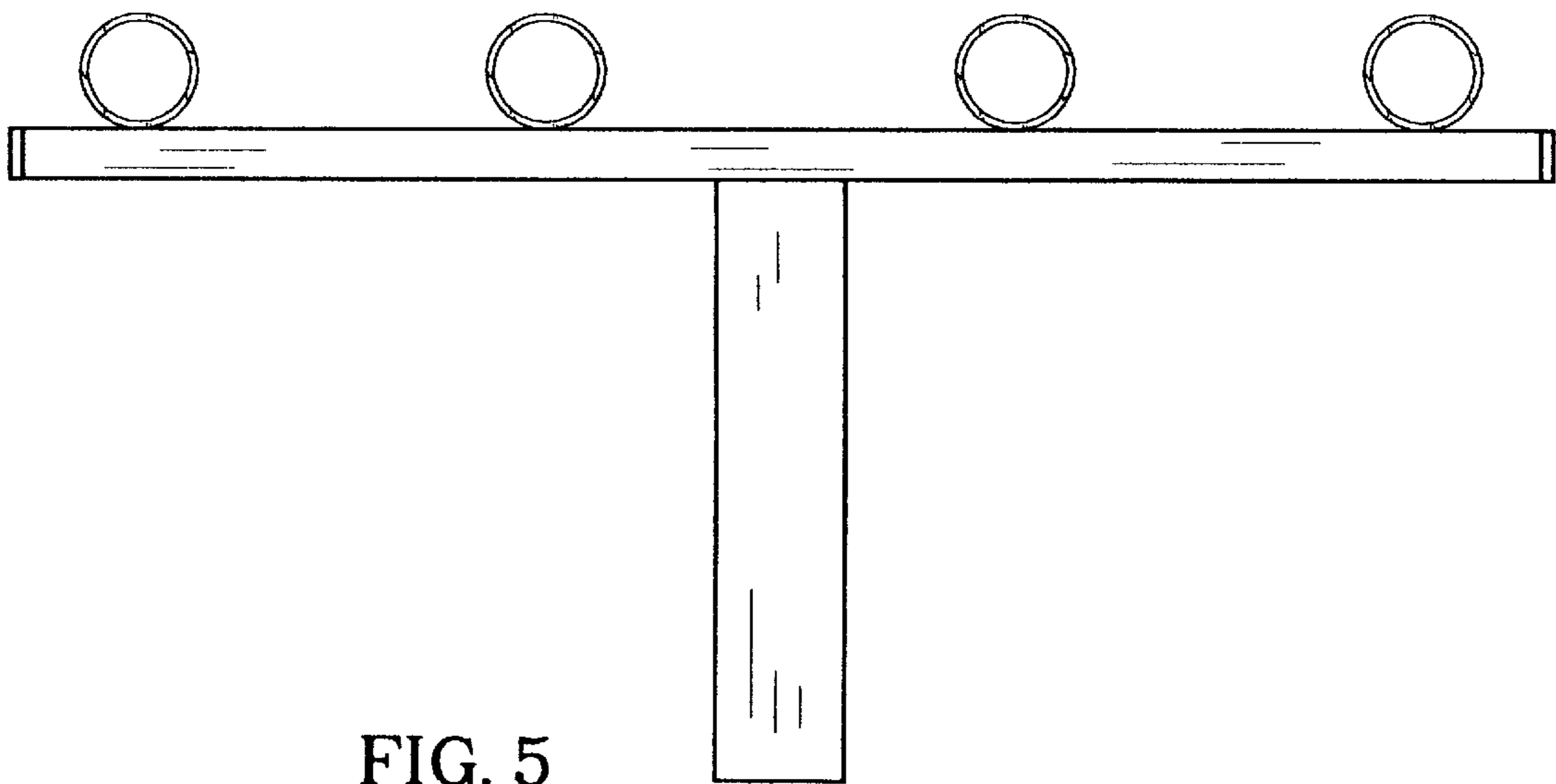
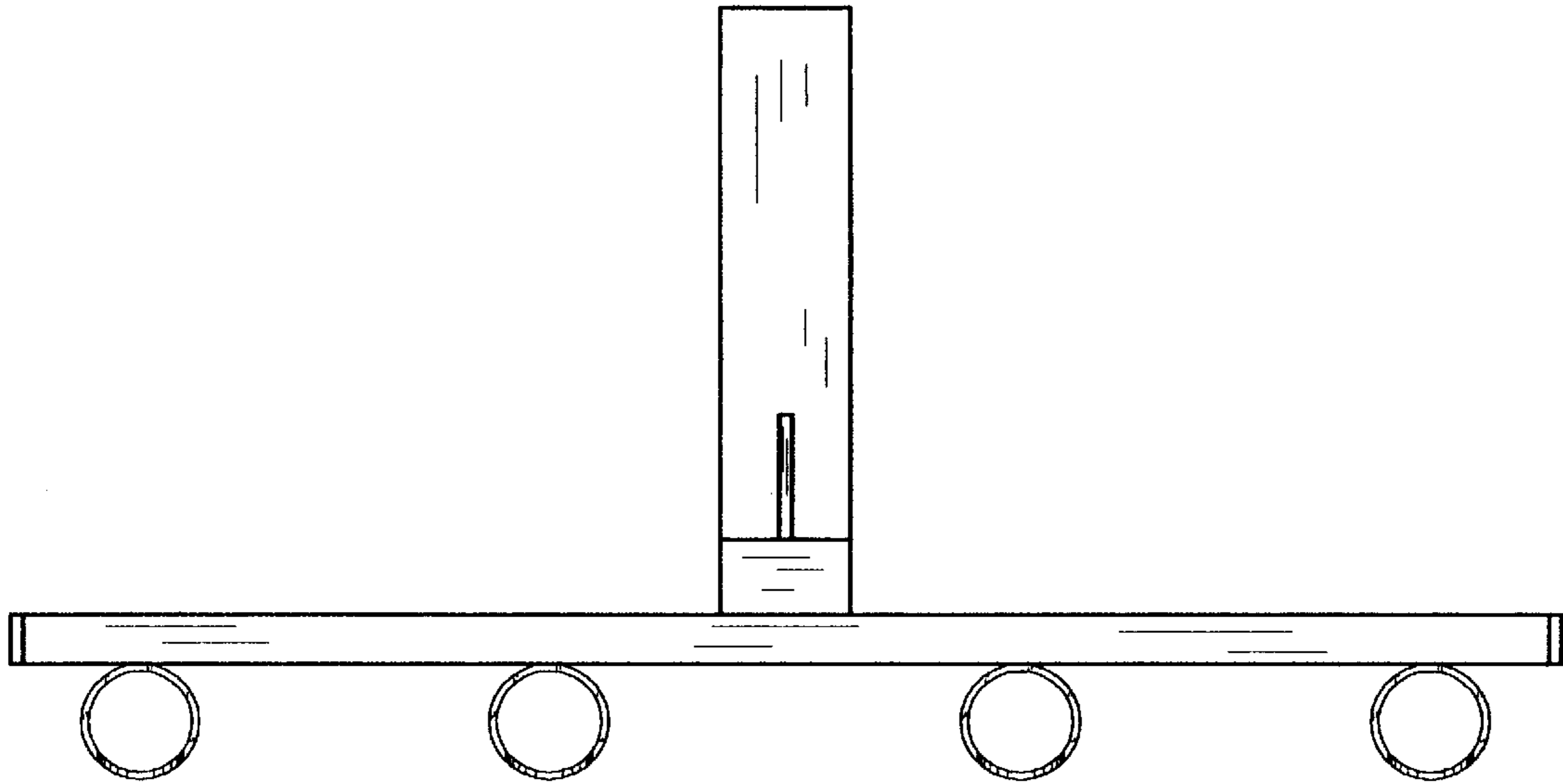


FIG. 5