



US00D458876S

(12) **United States Design Patent**
Kendall

(10) **Patent No.:** **US D458,876 S**
(45) **Date of Patent:** **** Jun. 18, 2002**

(54) **VEHICLE**

(75) Inventor: **Jeffrey Kendall, Ararat (AU)**

(73) Assignee: **Razorback Vehicles Corporation Limited, New South Wales (AU)**

(**) Term: **14 Years**

(21) Appl. No.: **29/135,963**

(22) Filed: **Jan. 23, 2001**

(30) **Foreign Application Priority Data**

Jul. 28, 2000 (AU) 2392/00

(51) **LOC (7) Cl.** **12-10**

(52) **U.S. Cl.** **D12/103**

(58) **Field of Search** D12/101-105,
D12/93; 296/24.1, 156, 168; 280/423, 424,
416, 418.1

(56) **References Cited**

U.S. PATENT DOCUMENTS

D223,751 S * 6/1972 Palumbo D12/103

D224,589 S * 8/1972 Chow D12/103
D225,159 S * 11/1972 Gardner et al. D12/103
D343,136 S * 1/1994 Premo D12/103
D392,921 S * 3/1998 McCloud D12/103

* cited by examiner

Primary Examiner—Melody N. Brown
(74) *Attorney, Agent, or Firm*—Rockey, Milnamow & Katz, Ltd.

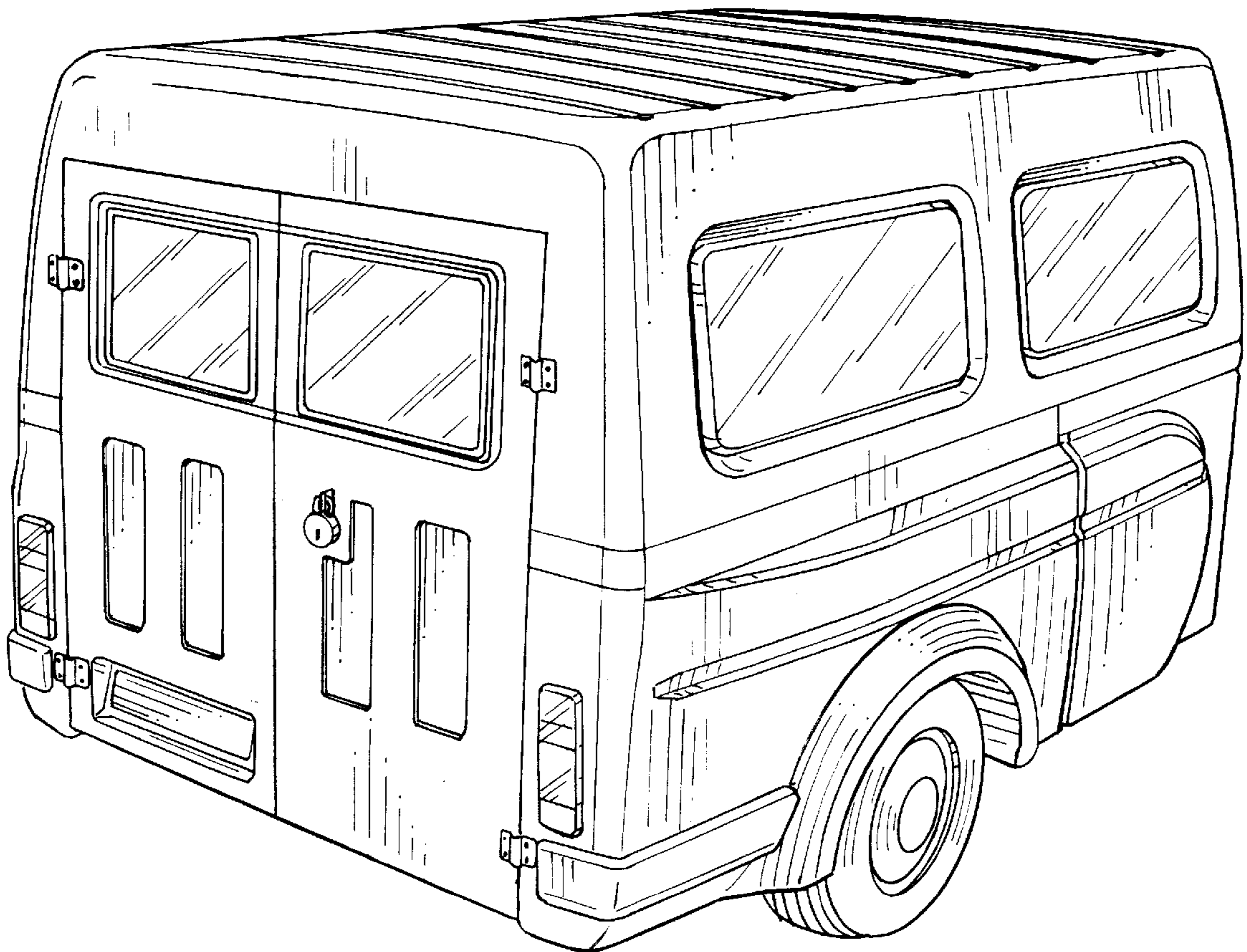
(57) **CLAIM**

The ornamental design for a vehicle, as shown and described.

DESCRIPTION

FIG. 1 is a perspective view of a vehicle showing my new design;
FIG. 2 is a right side view thereof;
FIG. 3 is a left side view thereof;
FIG. 4 is a front view thereof; and,
FIG. 5 is a rear view thereof.

1 Claim, 5 Drawing Sheets



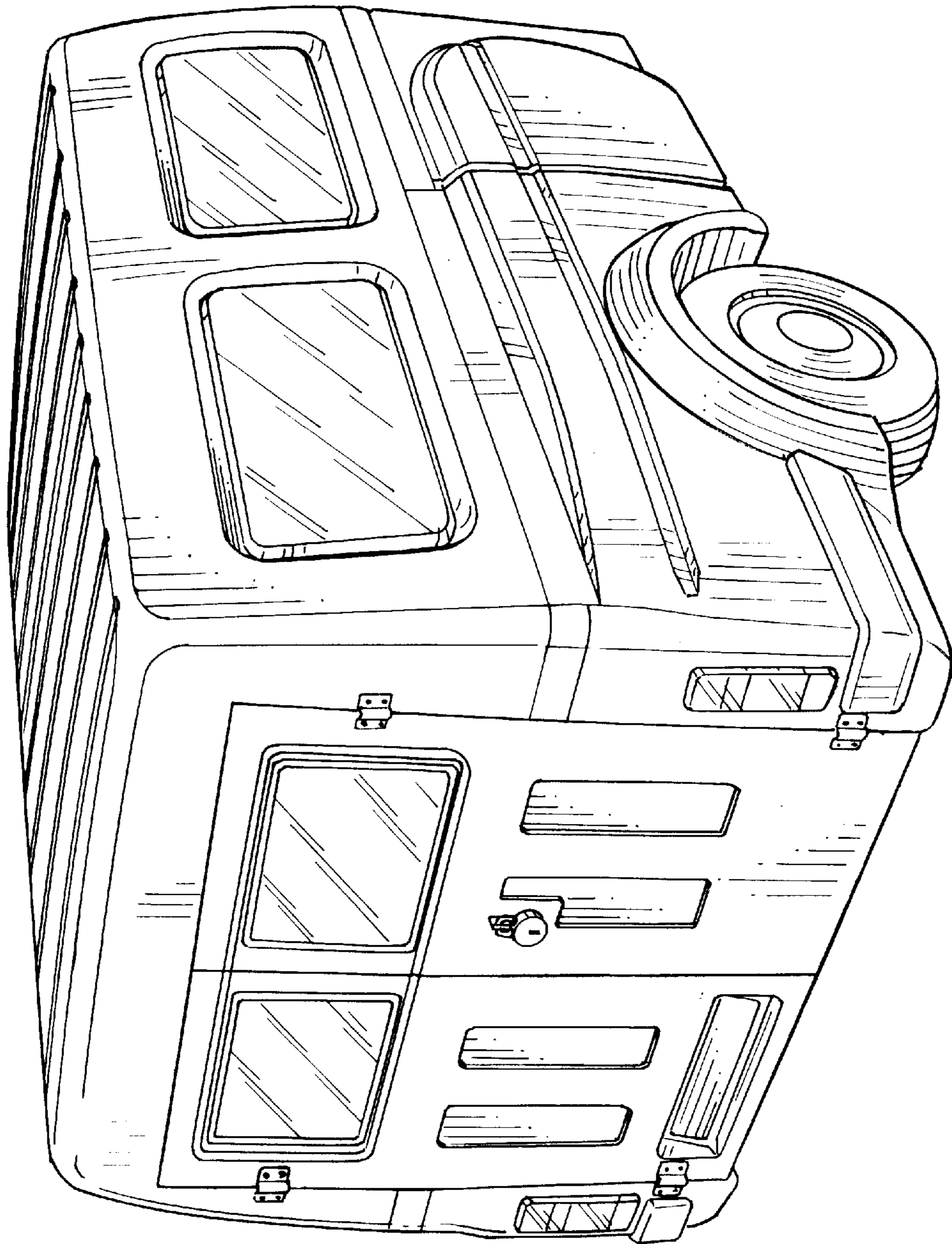


FIG. 1

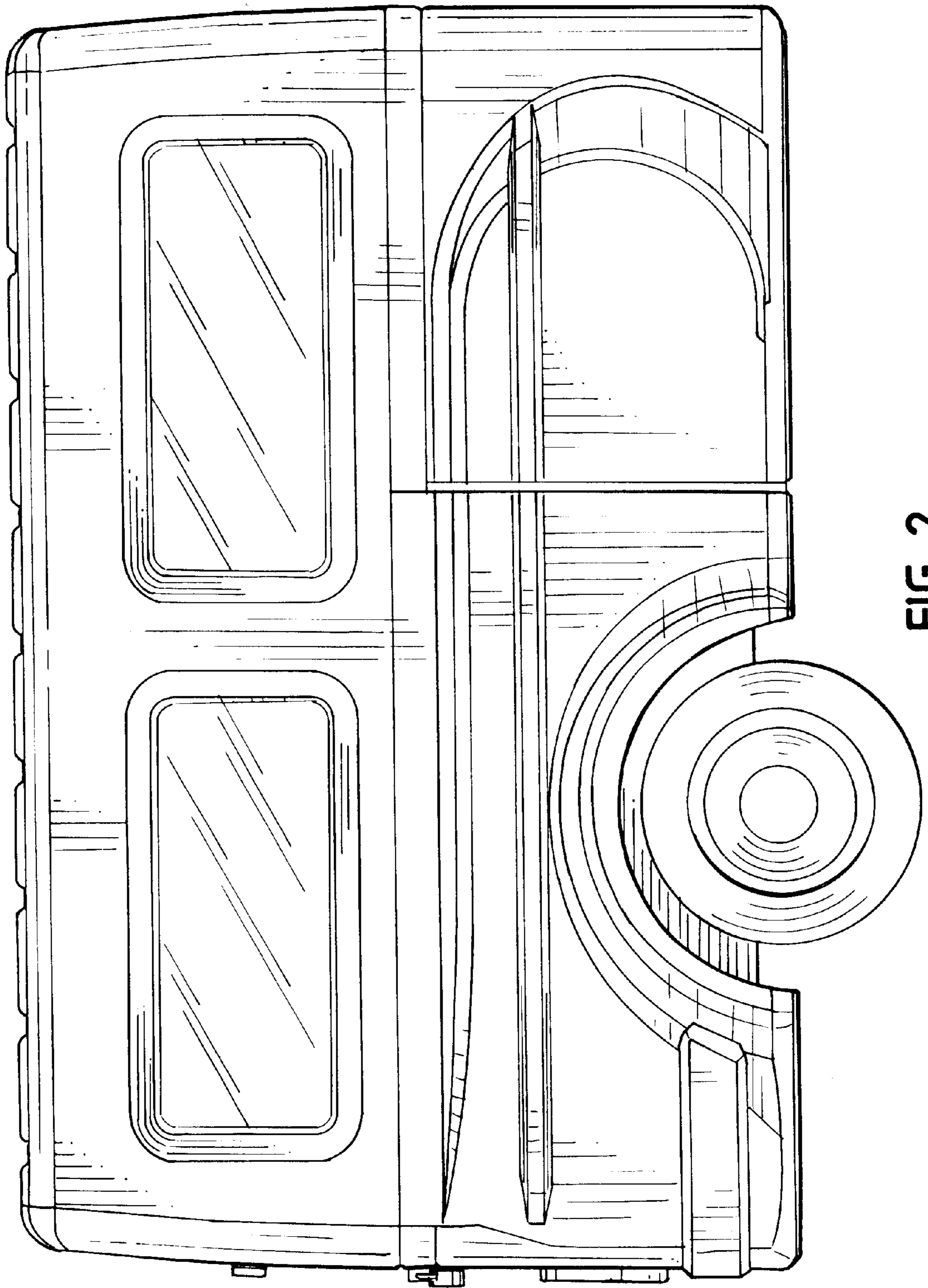


FIG. 2

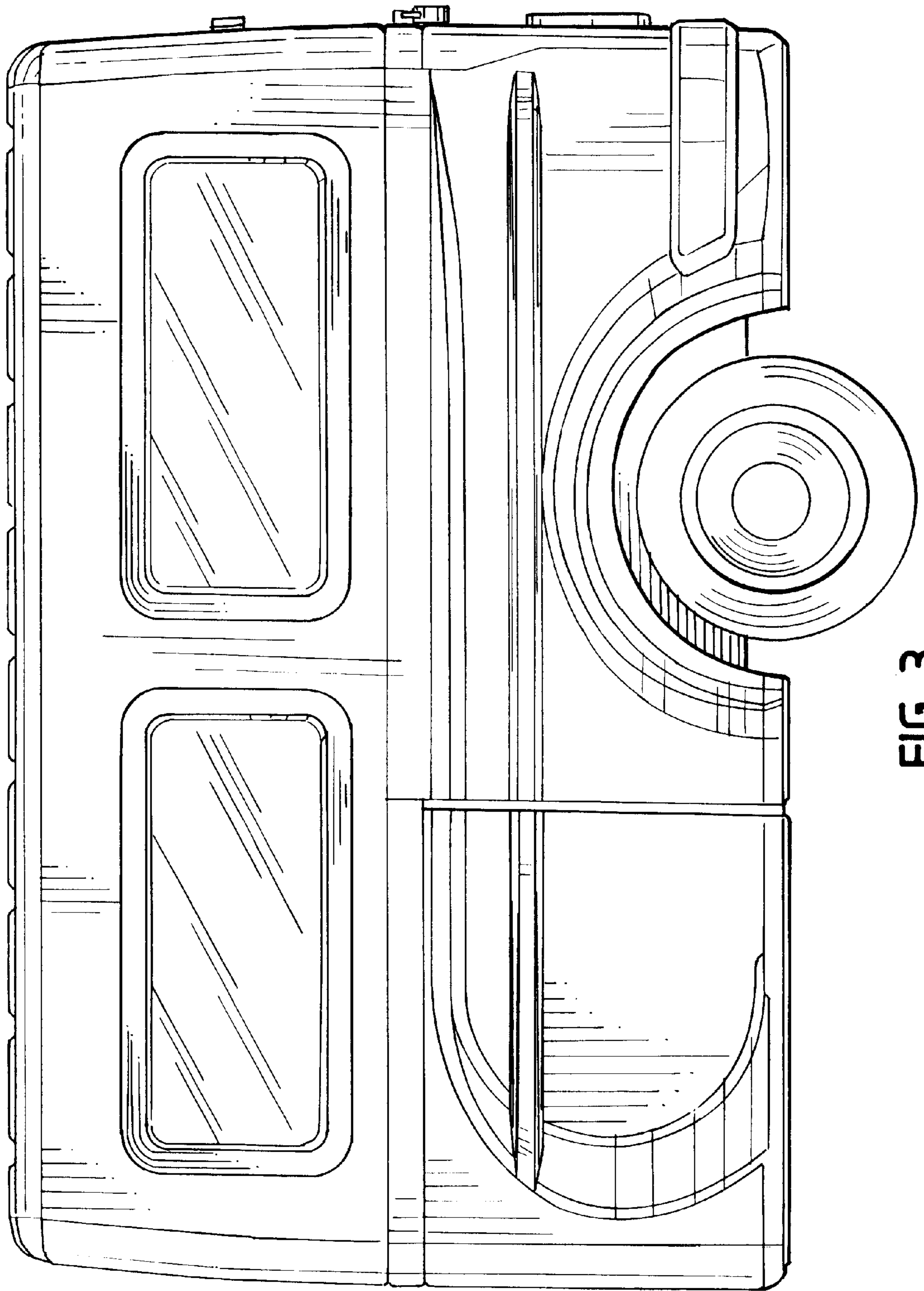


FIG. 3

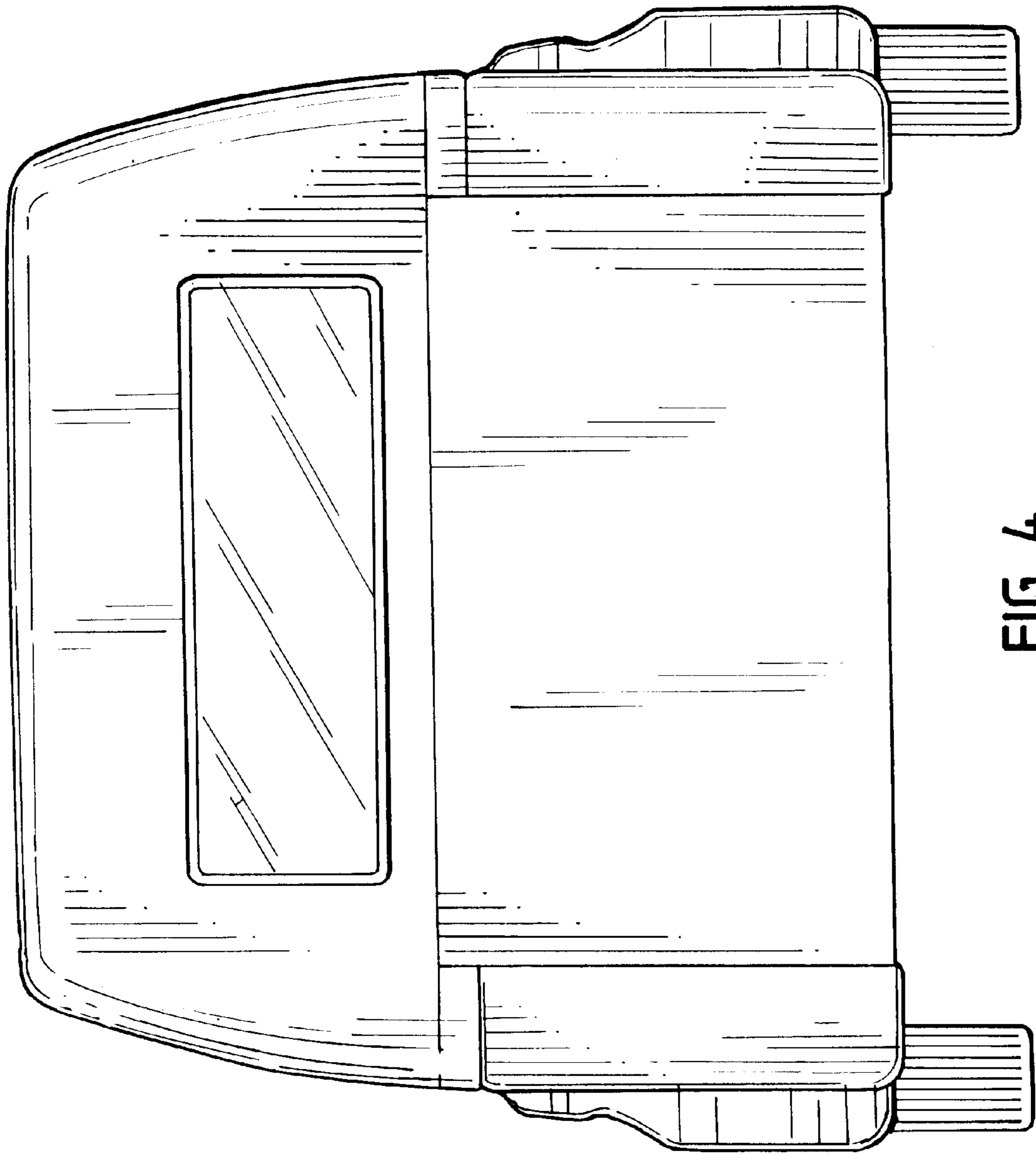


FIG. 4

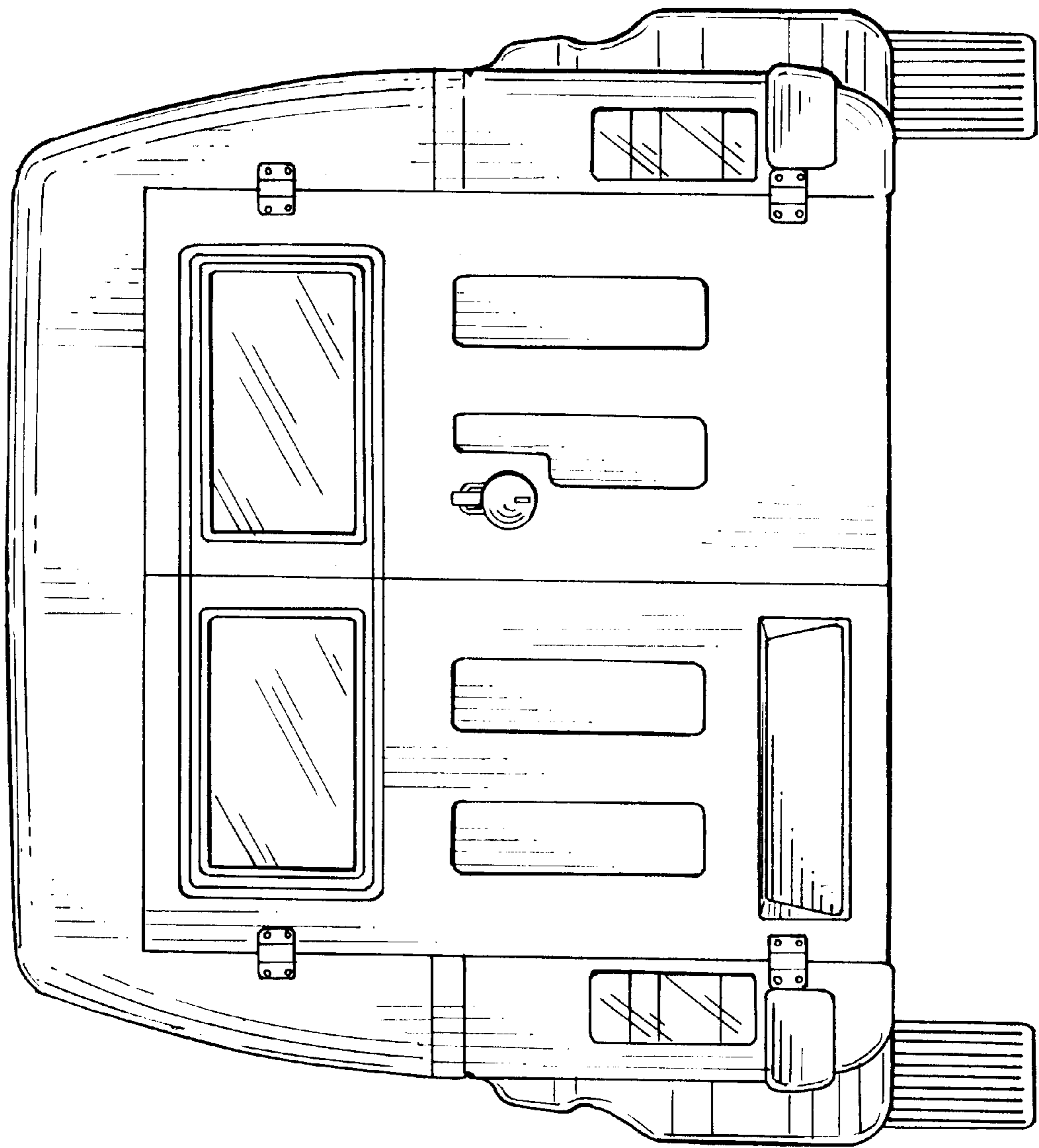


FIG. 5