



US00D458872S

(12) **United States Design Patent**
Ramaciotti

(10) **Patent No.:** **US D458,872 S**

(45) **Date of Patent:** **** Jun. 18, 2002**

(54) **CAR**

(75) **Inventor:** **Lorenzo Ramaciotti, Moncalieri (IT)**

(73) **Assignee:** **Ferrari S.p.A., Modena (IT)**

(**) **Term:** **14 Years**

(21) **Appl. No.:** **29/138,212**

(22) **Filed:** **Mar. 8, 2001**

(30) **Foreign Application Priority Data**

Sep. 12, 2000 (IT) TO0000223
Sep. 12, 2000 (IT) TO0000222

(51) **LOC (7) Cl.** **12-08**

(52) **U.S. Cl.** **D12/92**

(58) **Field of Search** D12/90-92; 296/185

(56) **References Cited**

U.S. PATENT DOCUMENTS

D411,138 S * 6/1999 Ramaciotti D12/92

D431,796 S * 10/2000 Lagaay D12/92
D439,205 S * 3/2001 Leutz D12/92
D439,867 S * 4/2001 Pfeiffer D12/92
D440,527 S * 4/2001 Wagner et al. D12/92

* cited by examiner

Primary Examiner—Melody N. Brown

(74) *Attorney, Agent, or Firm*—Robin, Blecker & Daley

(57) **CLAIM**

The ornamental design for a car, as shown and described.

DESCRIPTION

FIG. 1 is a perspective view of the car showing my new design;

FIG. 2 is a front view thereof;

FIG. 3 is a right view thereof;

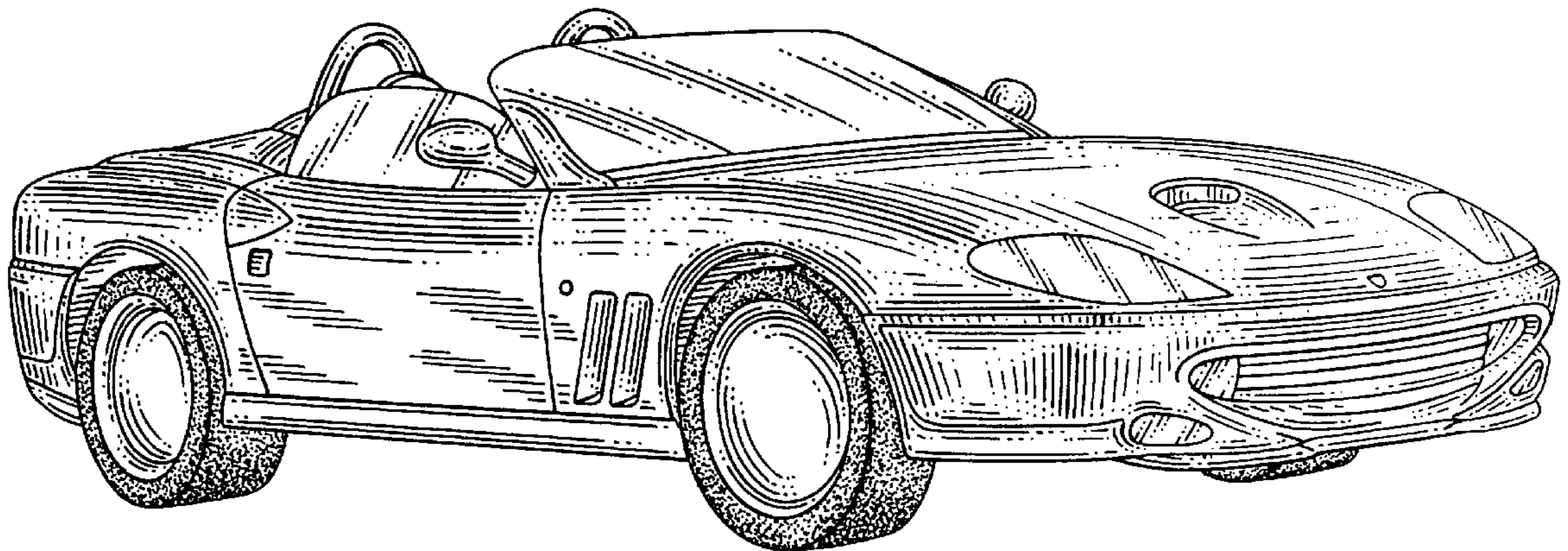
FIG. 4 is a left view thereof;

FIG. 5 is a rear view thereof;

FIG. 6 is a top view thereof; and,

FIG. 7 is a bottom view thereof.

1 Claim, 7 Drawing Sheets



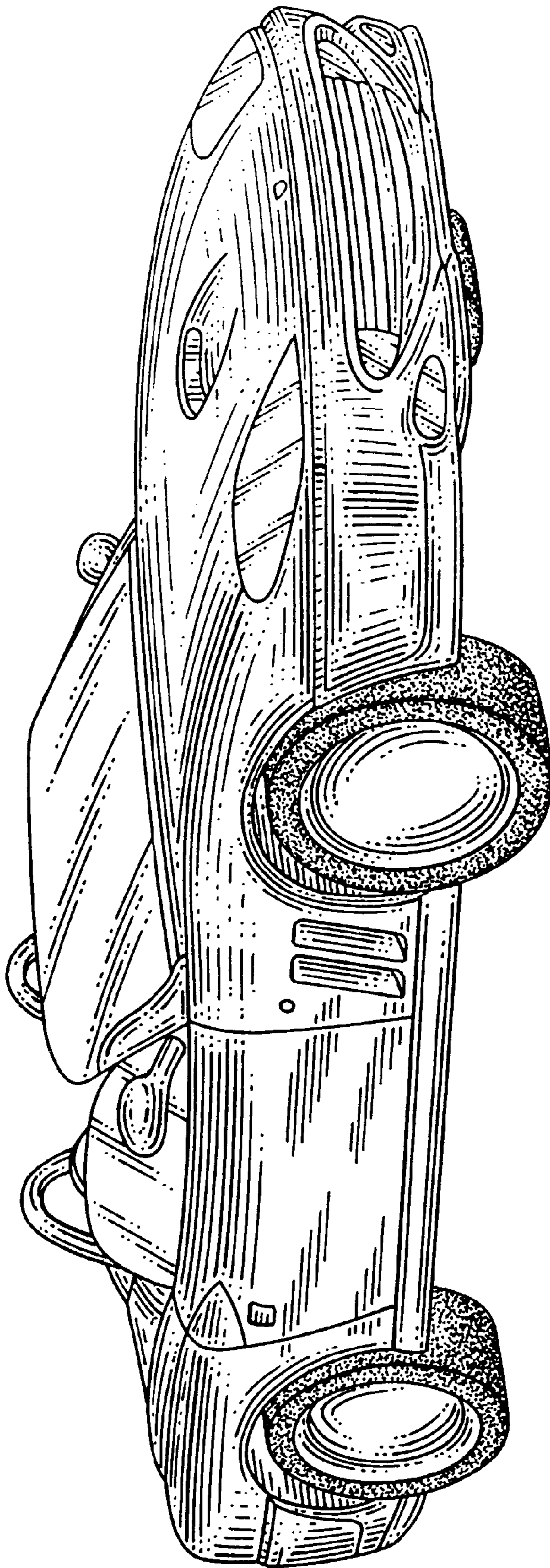


FIG. 1

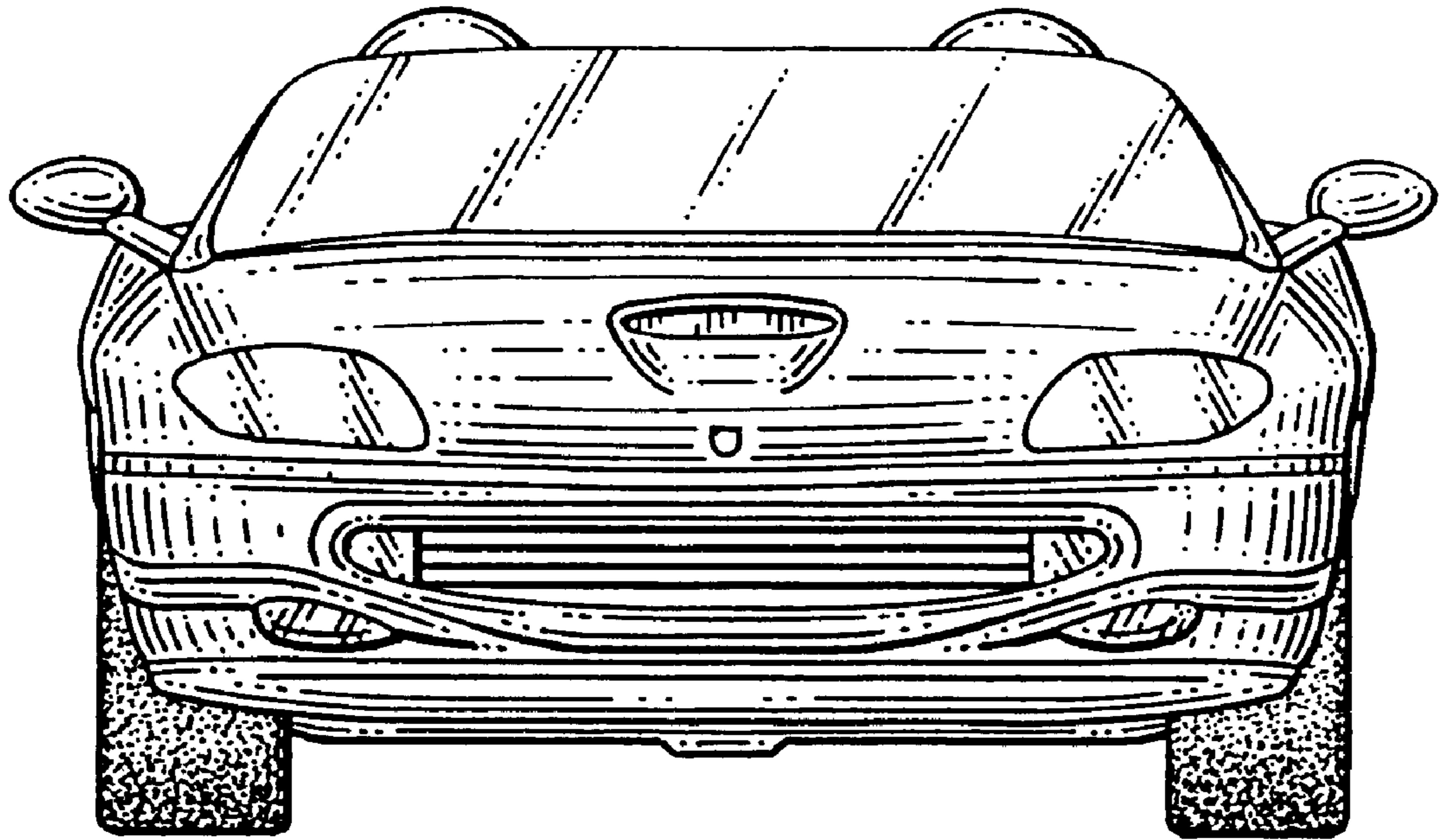


FIG. 2

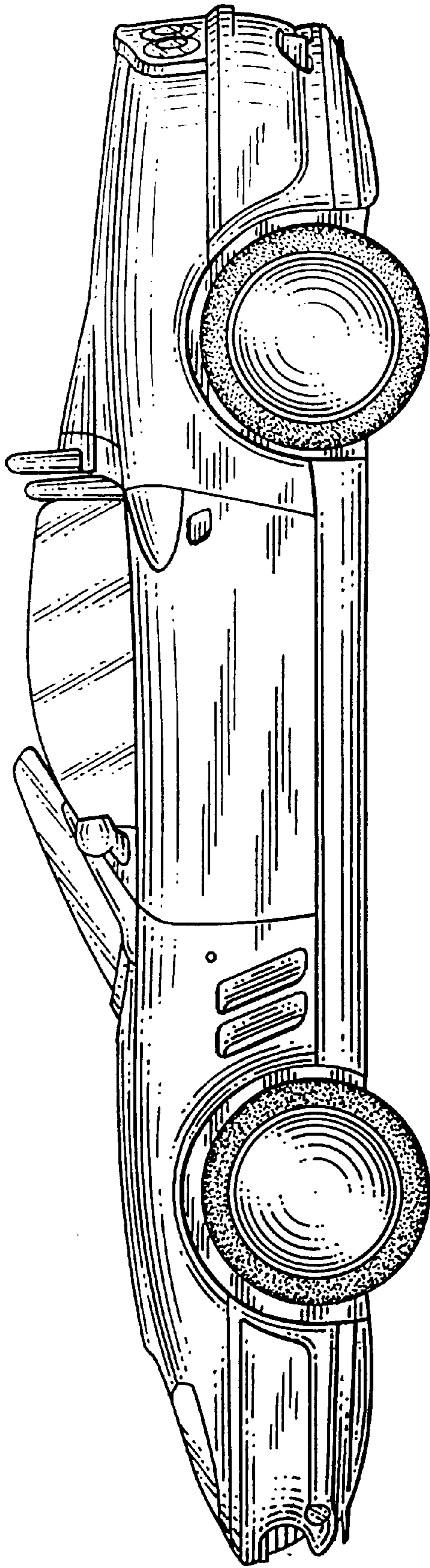


FIG. 3

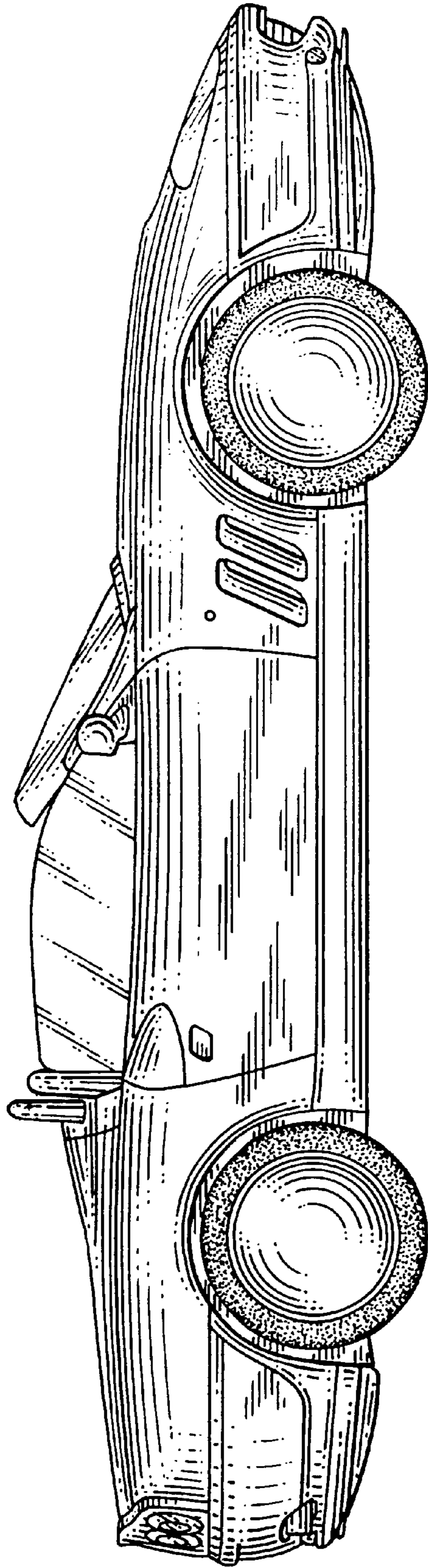


FIG. 4

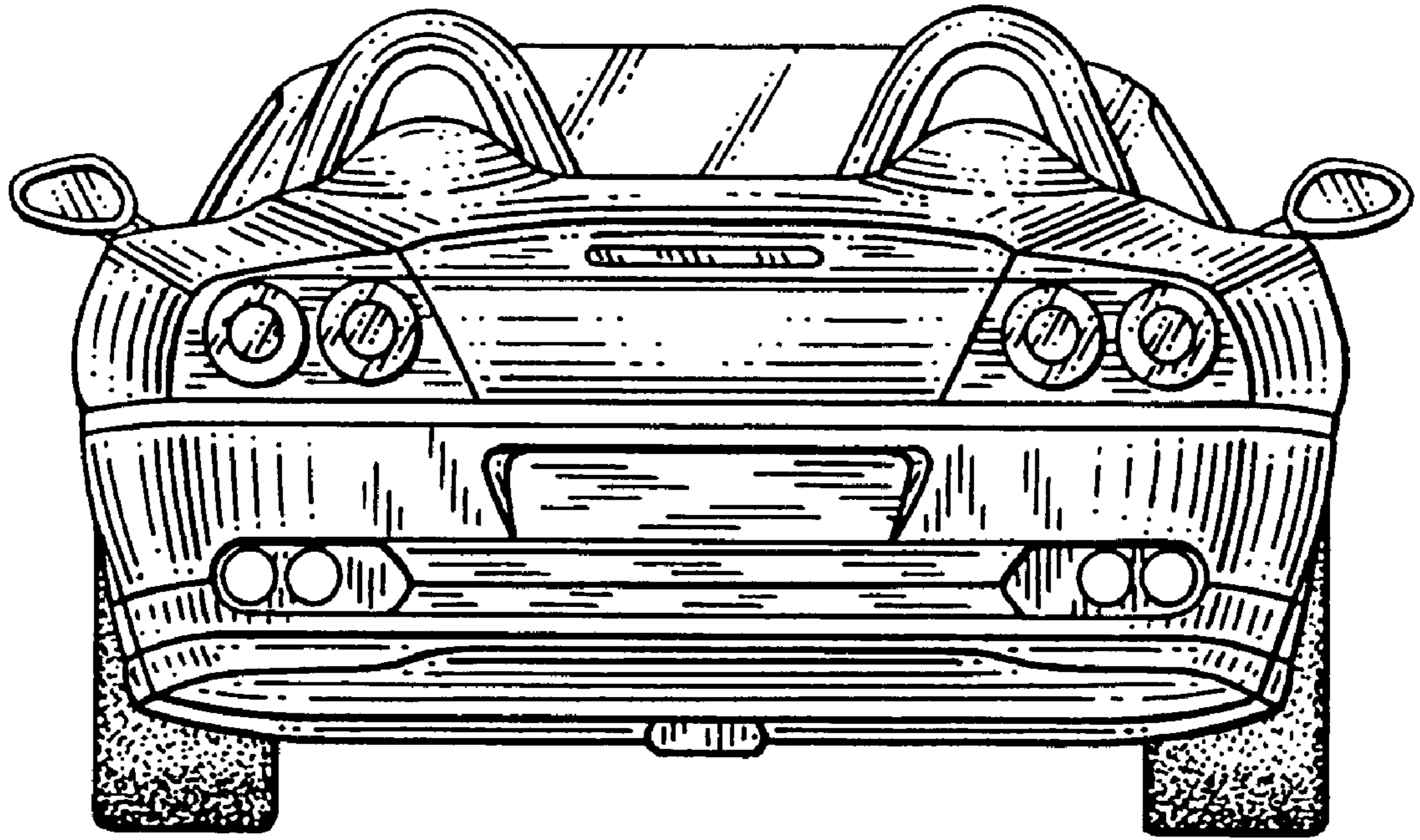


FIG. 5

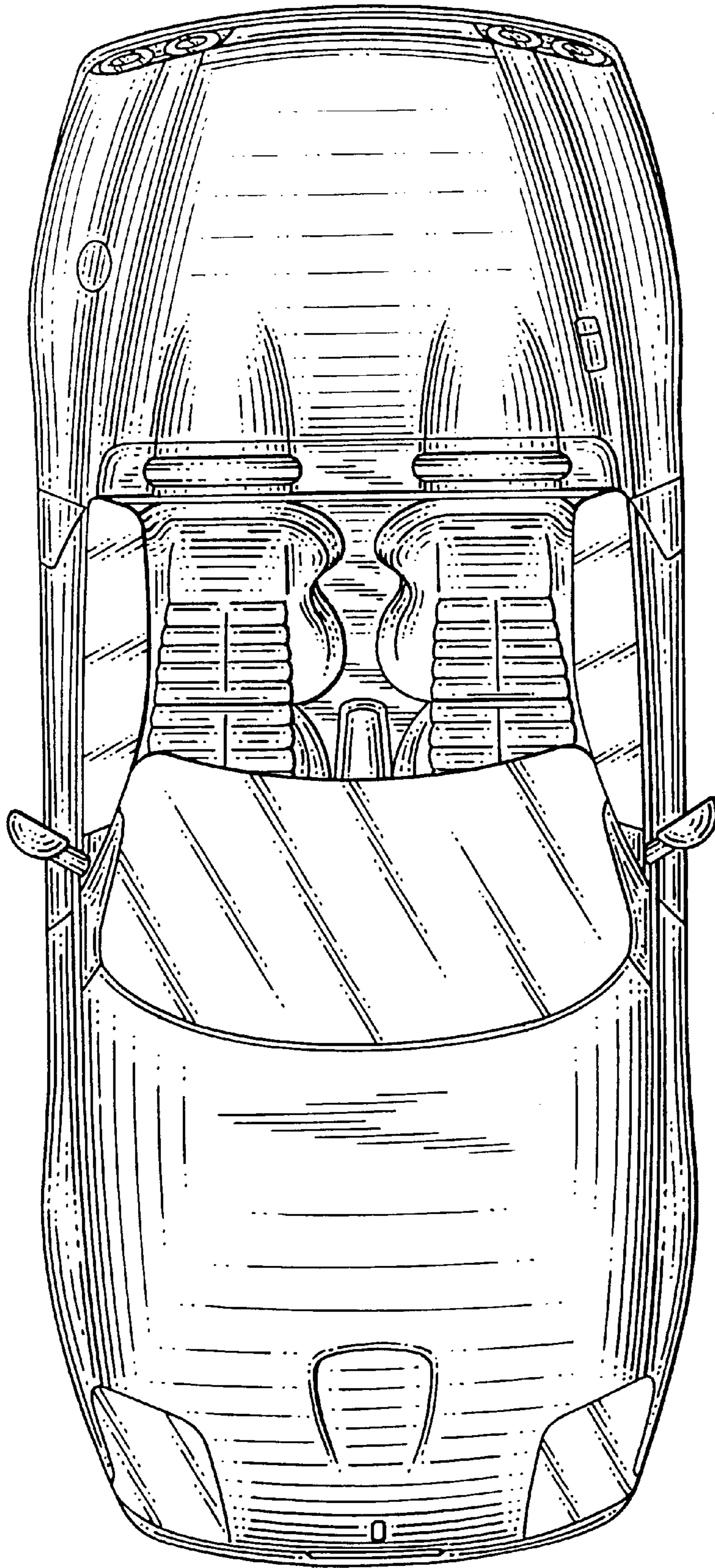


FIG. 6

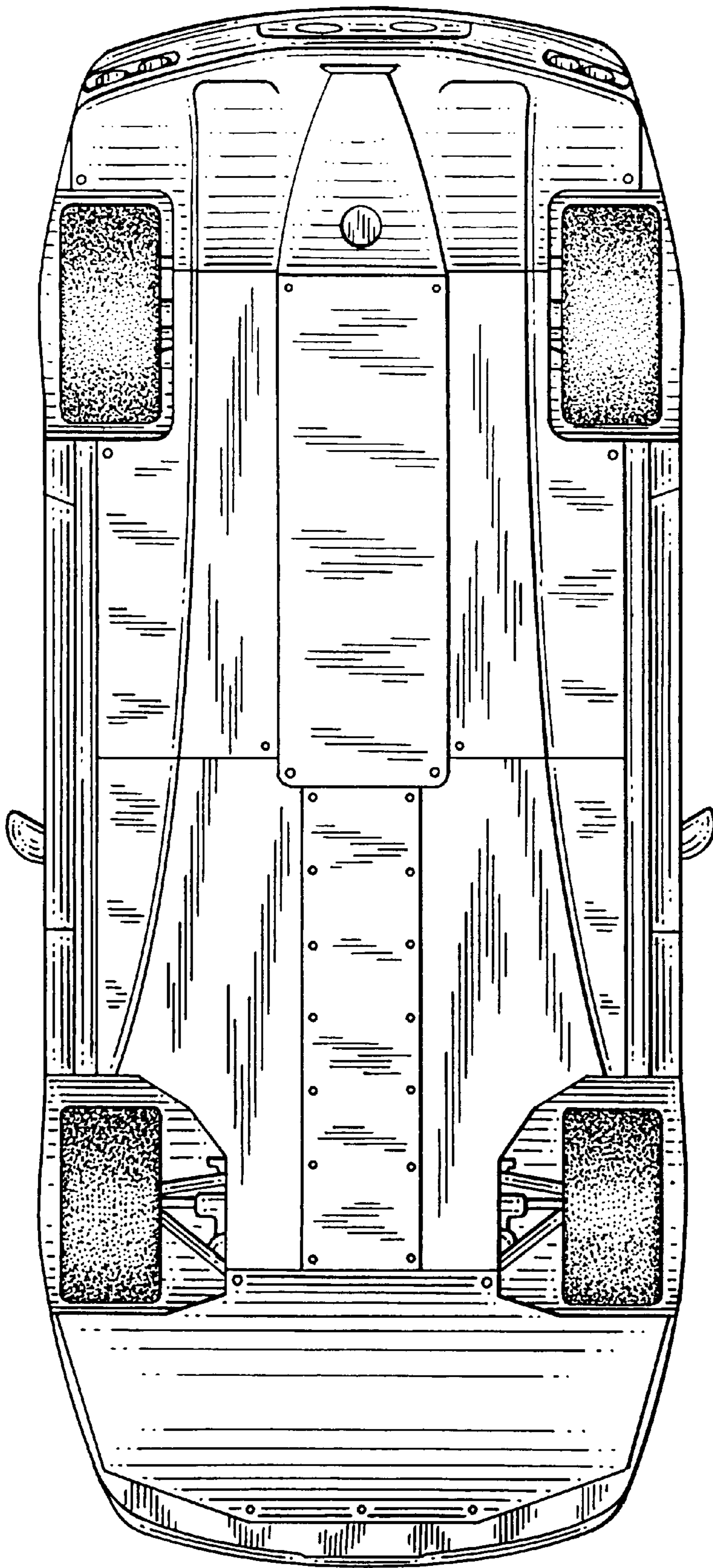


FIG. 7