



US00D458868S

(12) **United States Design Patent**
Cheung et al.

(10) **Patent No.:** **US D458,868 S**
(45) **Date of Patent:** **** Jun. 18, 2002**

(54) **ASSEMBLY OF AND MOUNTING FOR TRIANGULAR CUT PRECIOUS STONES**

D423,397 S * 4/2000 Raviv et al. D11/91
D437,251 S 2/2001 Wolf
D439,195 S 3/2001 Wolf
D440,181 S 4/2001 Wolf

(76) Inventors: **Henry Cheung**, 550 S. Hill St., Suite 601, Los Angeles, CA (US) 90013;
Eddie Cheung, Kaiser Estate Phase 1, 10/FL, Flat A1, 41, Main Yue Street, Hunghom, Kowloon (HK)

* cited by examiner

(**) Term: **14 Years**

Primary Examiner—Louis S. Zarfaz
Assistant Examiner—Deanne Levy
(74) *Attorney, Agent, or Firm*—Norton R. Townsley; Belasco Jacobs & Townsley, LLP

(21) Appl. No.: **29/147,714**

(57) **CLAIM**

(22) Filed: **Aug. 31, 2001**

We claim the ornamental design for the assembly of and mounting for triangular cut precious stones, as shown and described.

(51) **LOC (7) Cl.** **11-01**

(52) **U.S. Cl.** **D11/91**

(58) **Field of Search** D11/1-43, 48, D11/40, 75, 79, 86, 89-92; 63/3, 4, 12-15, 26-28, 32, 29.1

DESCRIPTION

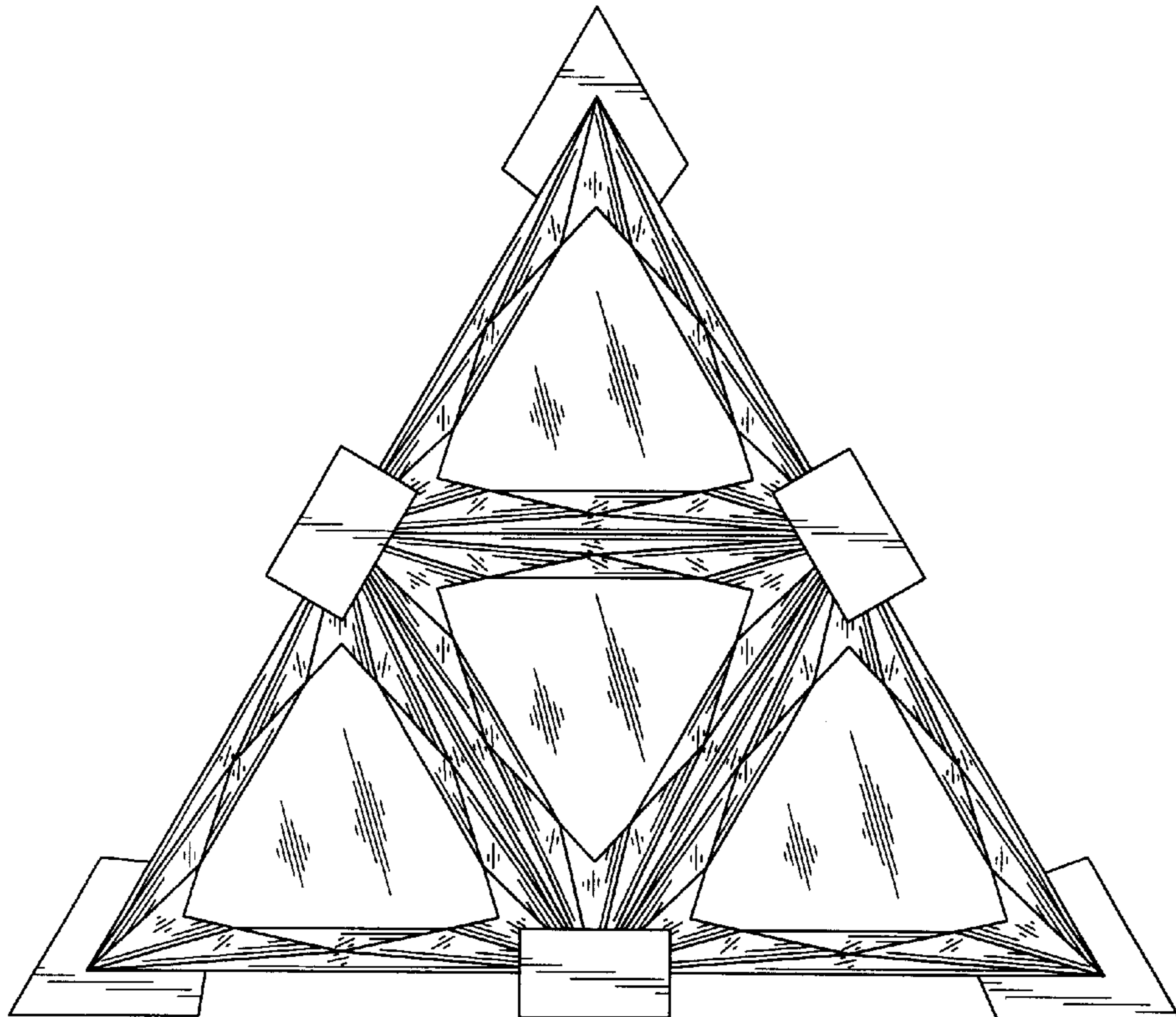
(56) **References Cited**

U.S. PATENT DOCUMENTS

D133,284 S * 8/1942 Meyer D11/75
2,825,260 A * 3/1958 O'Brien 63/32
5,072,601 A 12/1991 Slowinsky
5,123,265 A 6/1992 Ramot
5,533,364 A 7/1996 Freilich
D387,302 S 12/1997 Itzkowitz
D415,062 S 10/1999 Wolf
D419,480 S 1/2000 Wolf
D421,930 S 3/2000 Wolf

FIG. 1 is a top plan view of an assembly of and mounting for triangular cut precious stones showing our new design; FIG. 2 is a side elevation view thereof, it being understood that the broken lines are for illustrative purposes only and form no part of the claimed design; FIG. 3 is a top plan view of the mounting shown separately without the stones for clarity of illustration; and, FIG. 4 is a side elevation view similar to FIG. 2, but with the stones shown in exploded condition and the dot-dash projection lines illustrating how the stones are to be installed. No bottom view has been shown as it forms no part of the claimed design.

1 Claim, 3 Drawing Sheets



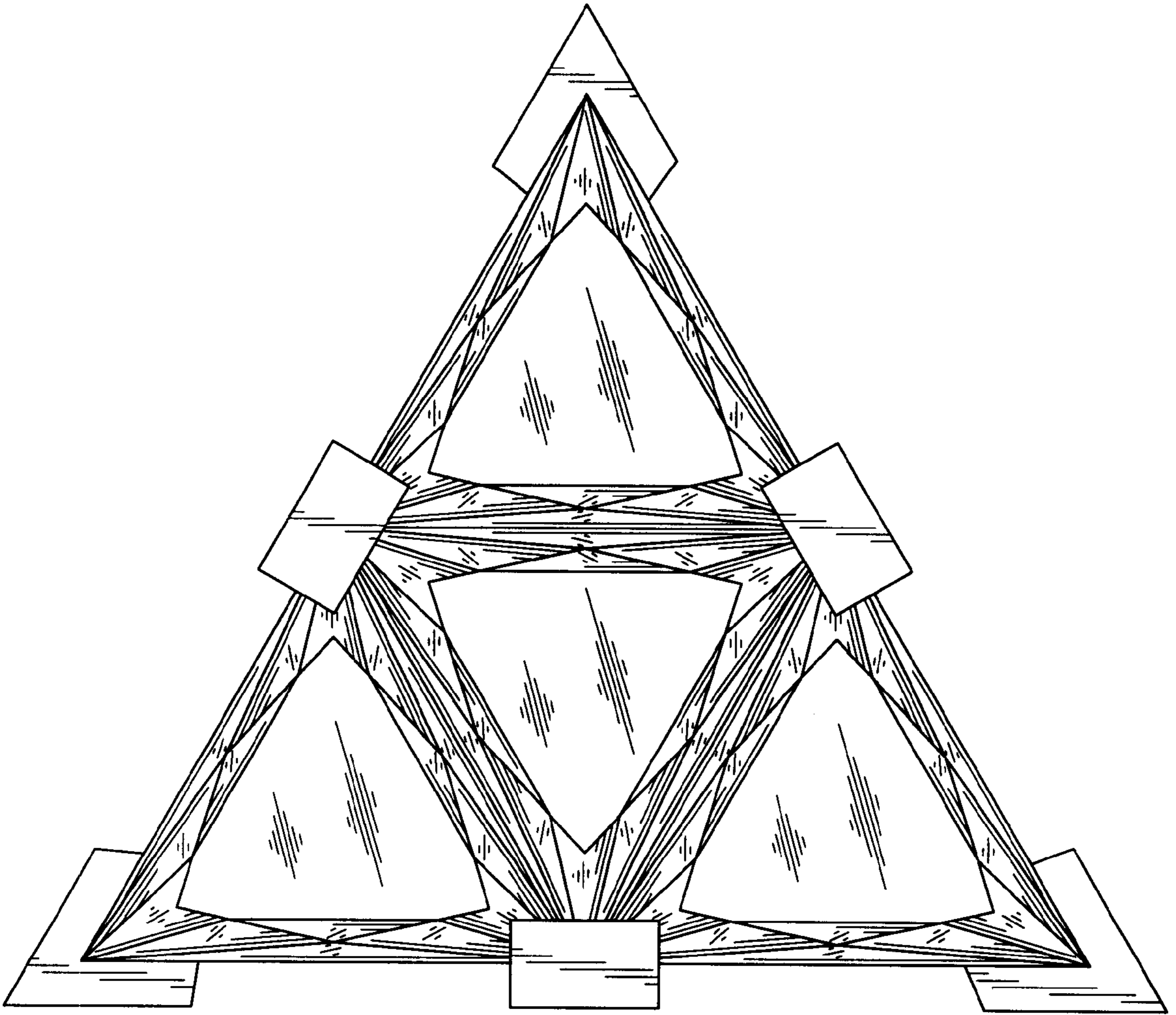


FIG. 1

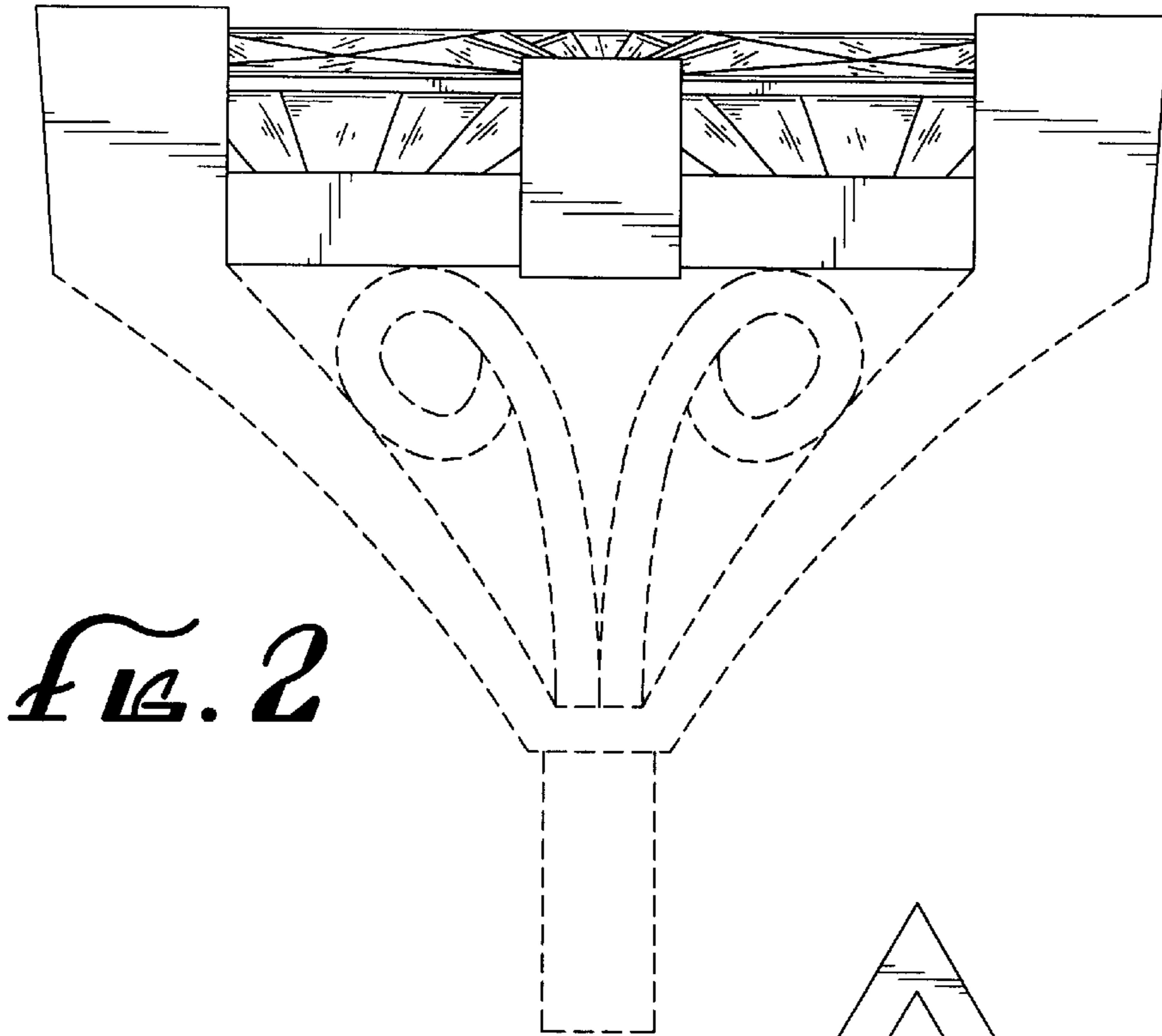


Fig. 2

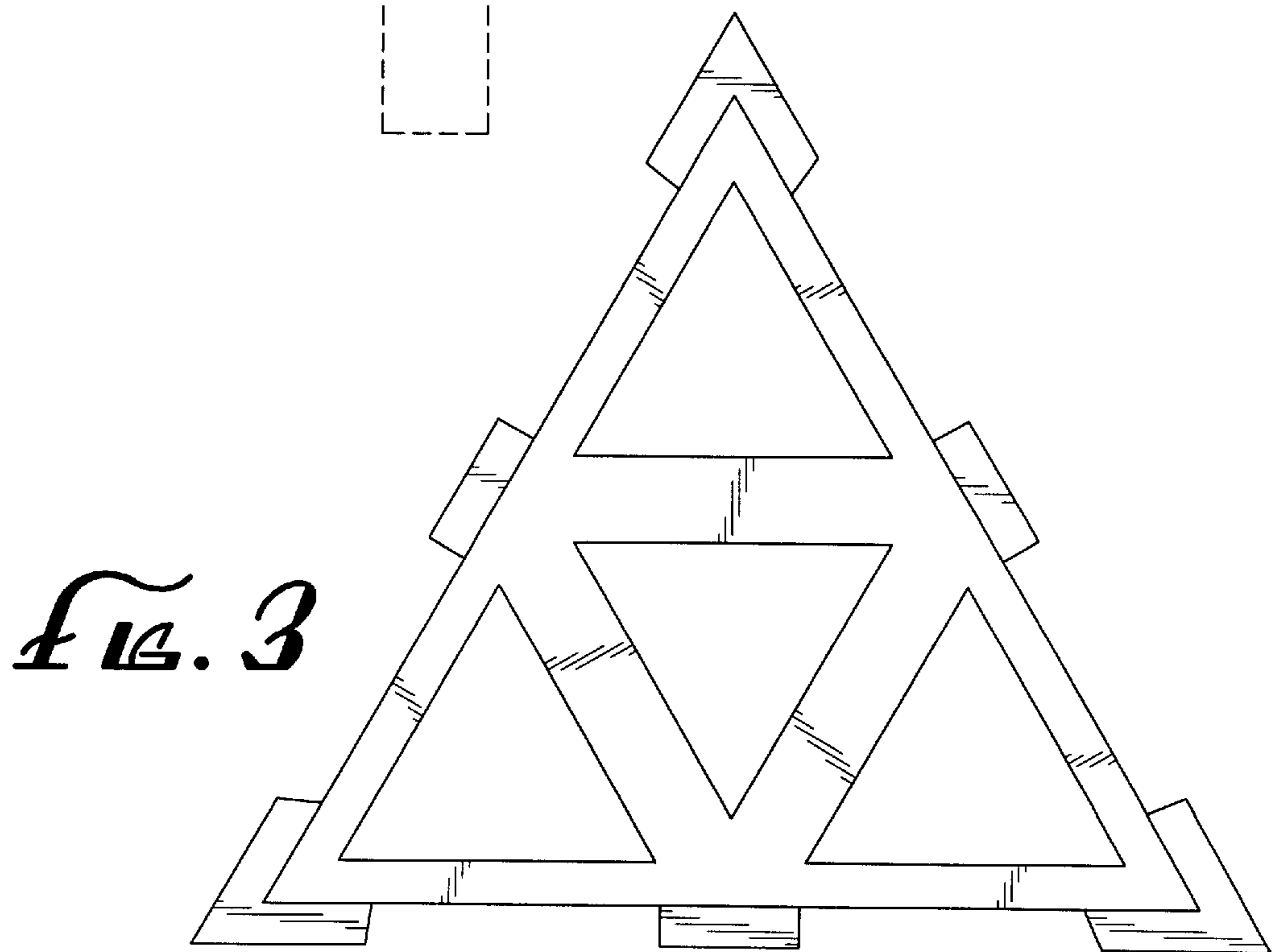


Fig. 3

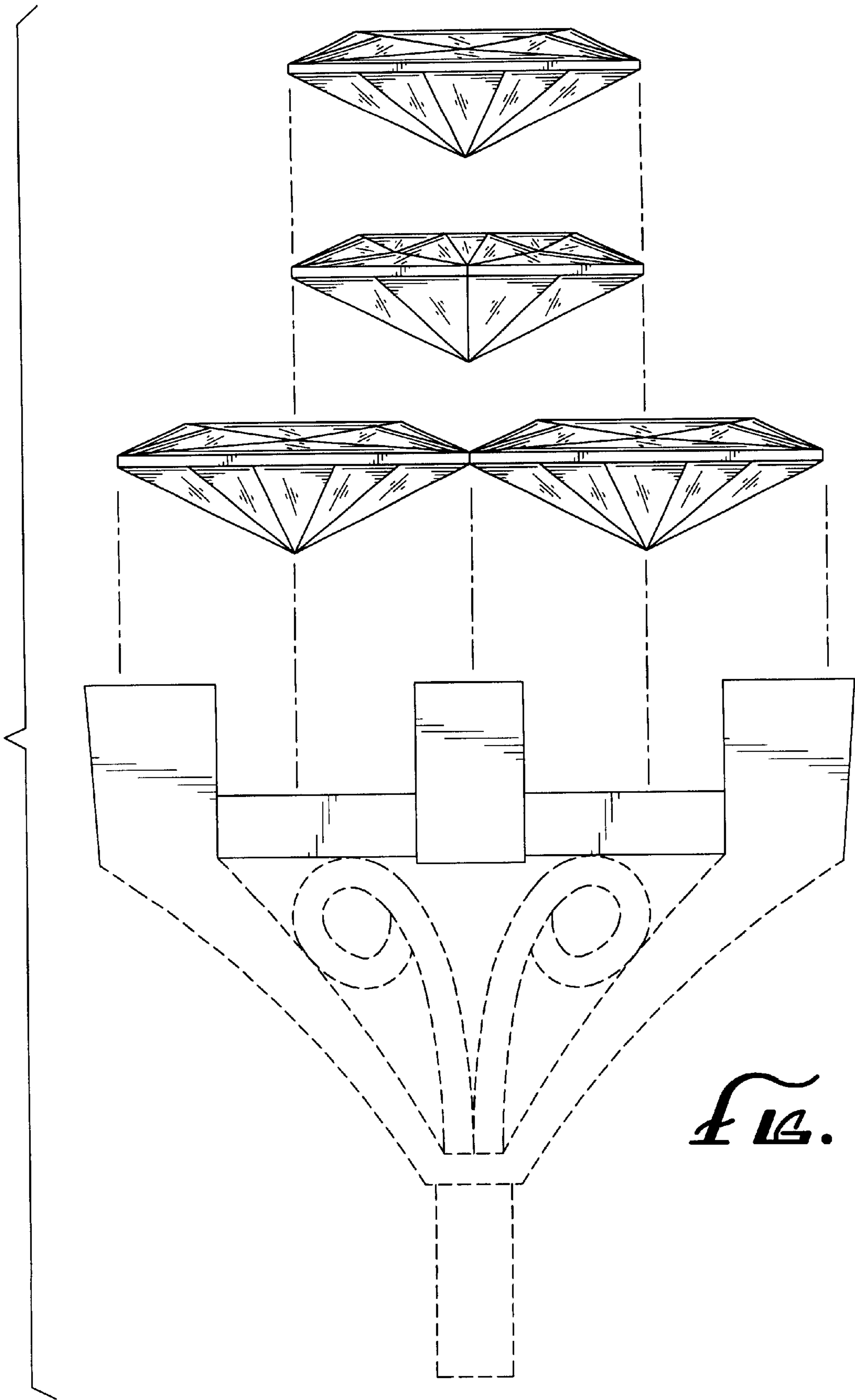


FIG. 4