



US00D458867S

(12) **United States Design Patent**
Tschetter

(10) **Patent No.:** **US D458,867 S**

(45) **Date of Patent:** **** Jun. 18, 2002**

(54) **RING HAVING A BAUBLE**

(76) **Inventor:** **Patricia Tschetter**, 5829 Joyce Way,
Dallas, TX (US) 75225-1624

(**) **Term:** **14 Years**

(21) **Appl. No.:** **29/143,428**

(22) **Filed:** **Sep. 10, 2001**

(51) **LOC (7) Cl.** **11-01**

(52) **U.S. Cl.** **D11/39**

(58) **Field of Search** D11/26-39, 3-5;
63/15, 15.1, 15.2, 15.3, 15.4, 15.45, 15.5,
15.6, 15.65, 15.7, 15.8, 15.9, 26-28, 3

(56) **References Cited**

U.S. PATENT DOCUMENTS

613,243 A	*	11/1898	Carroll et al.	63/15.4
D70,276 S	*	6/1926	Hammond	D11/27
1,855,331 A		4/1932	Bernier	
D184,833 S	*	4/1959	Sager	D11/39
D199,364 S	*	10/1964	Katz	D11/29
4,079,606 A	*	3/1978	Svihovec	D11/30
4,821,533 A		4/1989	Bonnefoy	63/3
5,003,678 A		4/1991	Oganesyan	63/15
5,606,873 A		3/1997	Zeller et al.	63/15
5,758,945 A		6/1998	Lima	63/15
D399,779 S	*	10/1998	Bulgari	D11/29
6,065,971 A		5/2000	Lennon	63/3

D434,688 S	*	12/2000	Bulgari	D11/26
D439,863 S	*	4/2001	Cabarbaye	D11/26
6,260,383 B1	*	7/2001	Warren et al.	63/15
D450,009 S	*	11/2001	Molfese	D11/26

OTHER PUBLICATIONS

Platinum Guild international USA; Platinum Edition VI catalog; Rec'd 1998; p. 100; Eli Jewels, Inc. rings center, lower right on page.*

Sandra Enterline's, *American Art Jewelry Today*, p. 93 (1994).

* cited by examiner

Primary Examiner—Cathy Anne MacCormac

(74) *Attorney, Agent, or Firm*—Gardere Wynne Sewell LLP; Sanford E. Warren, Jr.; Kenneth T. Emanuelson

(57) **CLAIM**

The ornamental design for the ring having a bauble, as shown and described.

DESCRIPTION

FIG. 1 is a front perspective view of a ring having a bauble showing my new design;

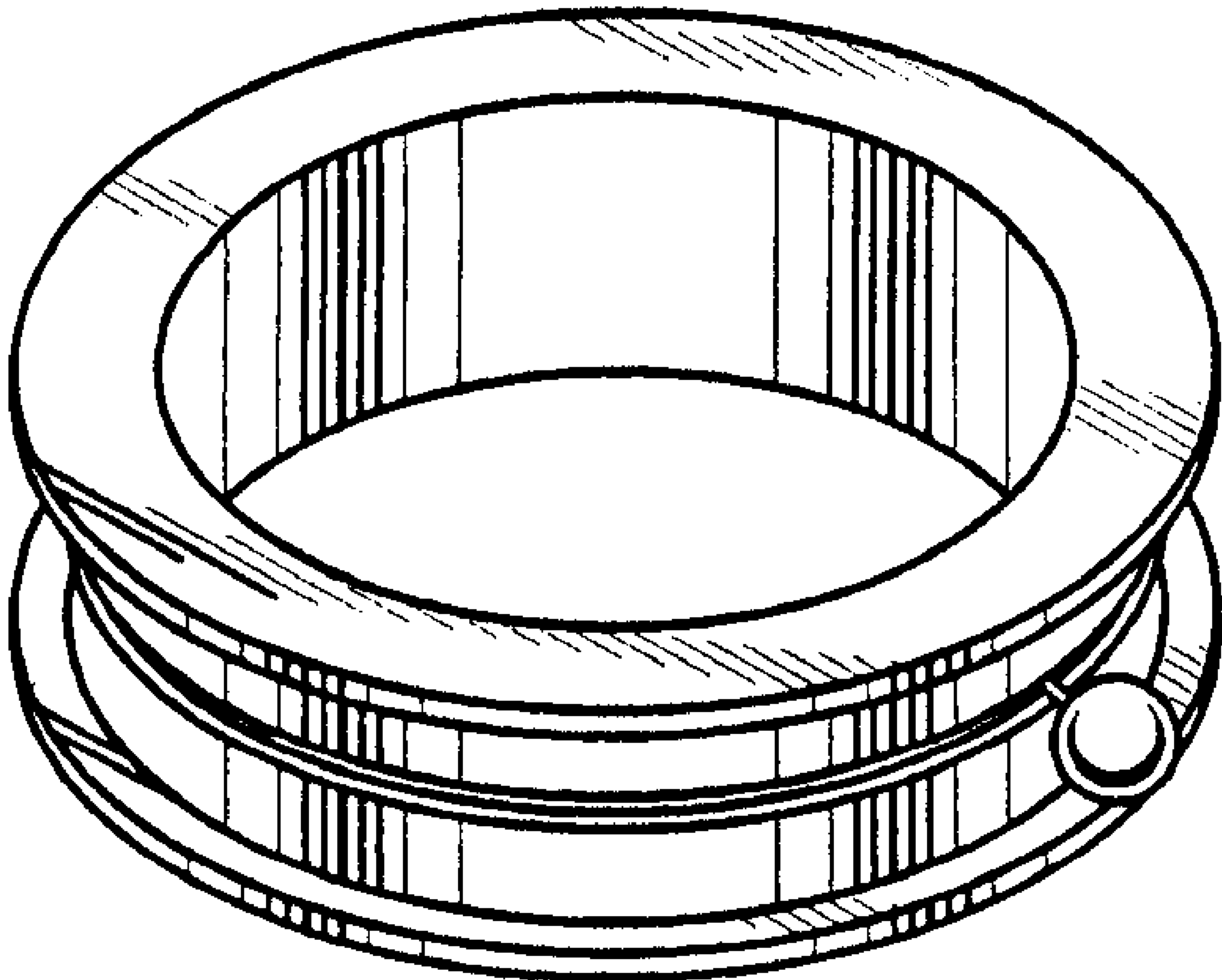
FIG. 2 is a top view thereof;

FIG. 3 is a front elevation view thereof;

FIG. 4 is a back elevation view thereof; and,

FIG. 5 is a left side elevation view thereof.

1 Claim, 1 Drawing Sheet



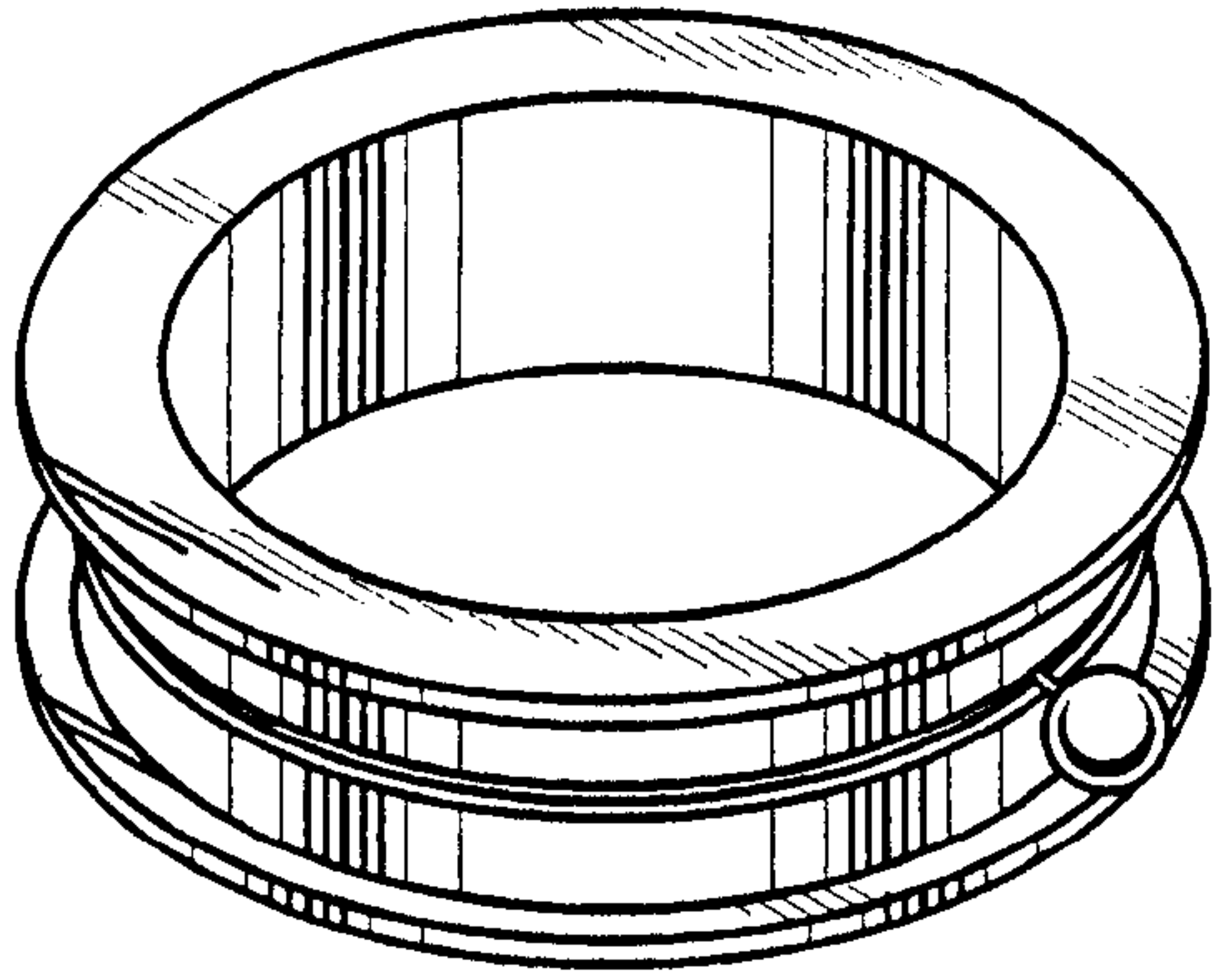


Fig.1

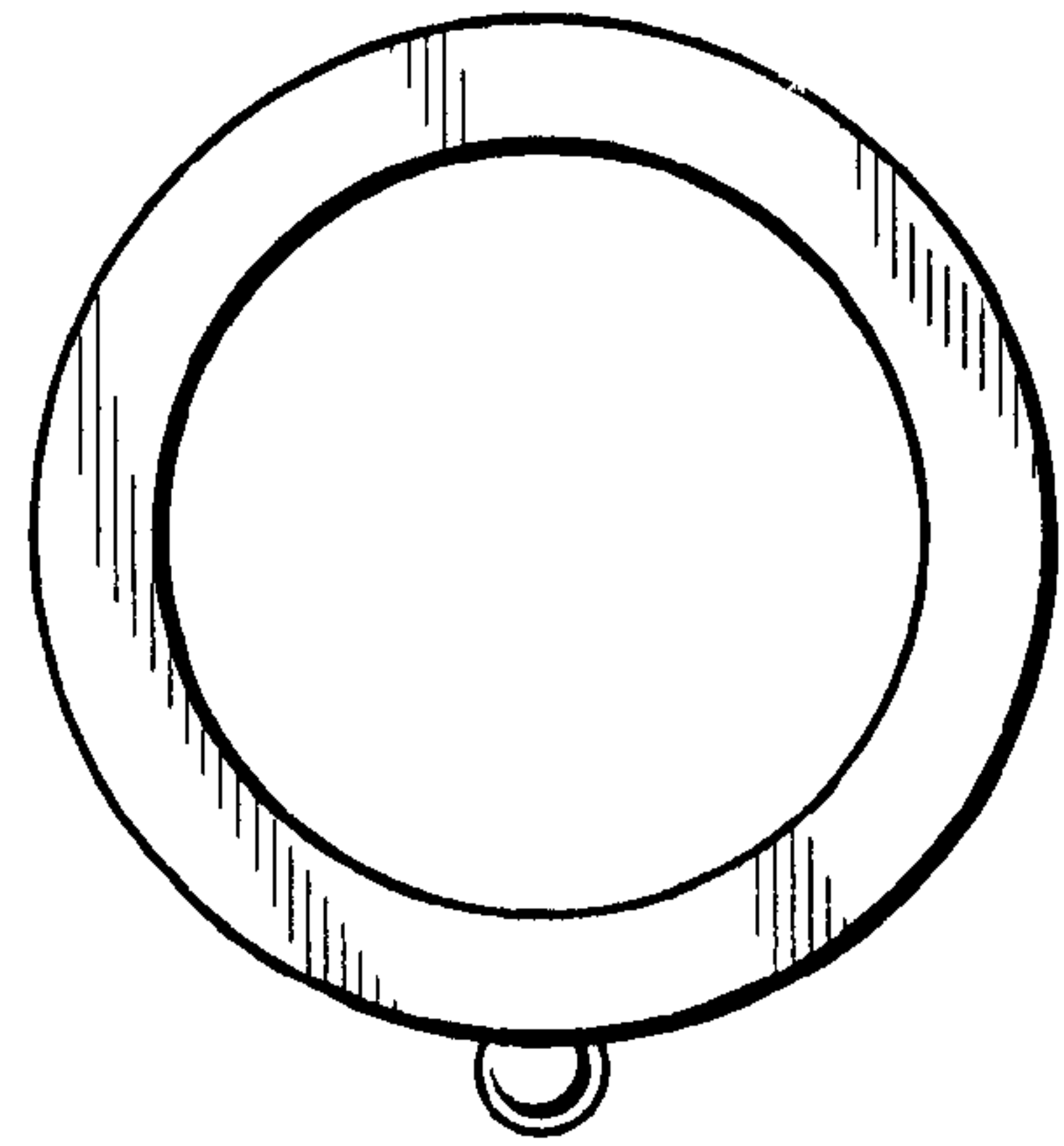


Fig.2

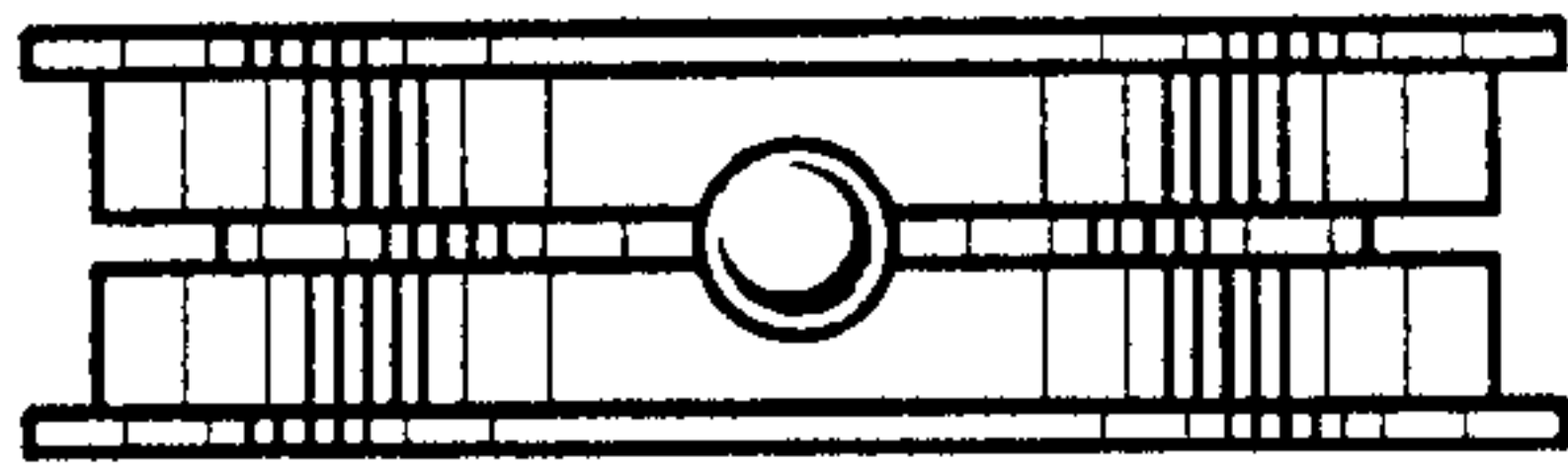


Fig.3

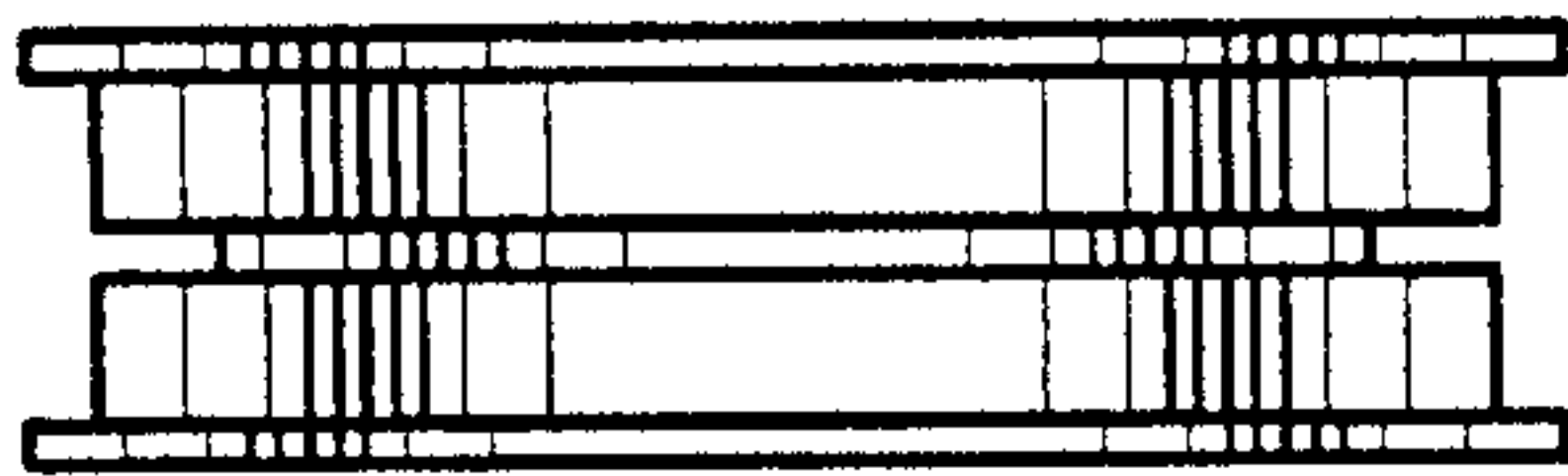


Fig.4

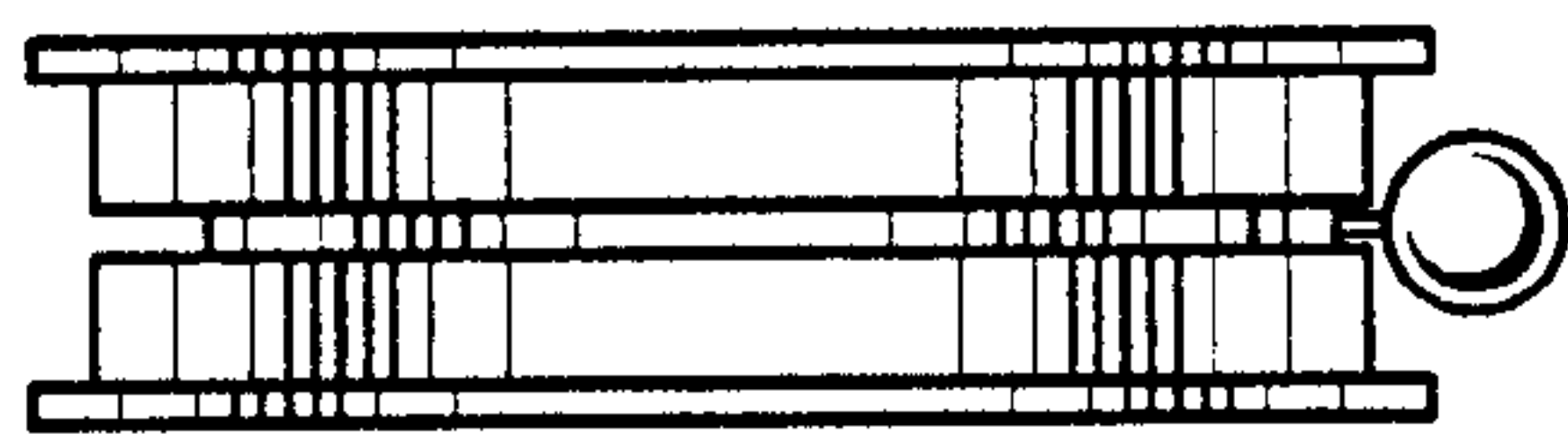


Fig.5