



US00D458860S

(12) **United States Design Patent**
Dwertmann

(10) **Patent No.:** **US D458,860 S**
(45) **Date of Patent:** **** Jun. 18, 2002**

(54) **ELECTRONIC BALANCE WITH
GENERALLY TRIANGULAR TRAY**

(75) Inventor: **Clemens Dwertmann**, Lastrup (DE)

(73) Assignee: **Sartorius AG**, Goettingen (DE)

(**) Term: **14 Years**

(21) Appl. No.: **29/149,912**

(22) Filed: **Oct. 22, 2001**

(30) **Foreign Application Priority Data**

Apr. 21, 2001 (DE) 4 01 03 815

(51) **LOC (7) Cl.** **10-04**

(52) **U.S. Cl.** **D10/91**

(58) **Field of Search** D10/91; 177/124,
177/180-182, 238-241

(56) **References Cited**

U.S. PATENT DOCUMENTS

- D339,538 S * 9/1993 Fellmann D10/91
- D389,076 S * 1/1998 Beckstrom et al. D10/91
- D419,086 S * 1/2000 Scunid D10/91

* cited by examiner

Primary Examiner—Antoine Duval Davis
(74) *Attorney, Agent, or Firm*—Sughrue Mion, PLLC

(57) **CLAIM**

The ornamental design for an electronic balance with generally triangular tray, as shown and described.

DESCRIPTION

FIG. 1 is a perspective view of the top, front and left side of a first embodiment of an electronic balance showing my new design;

FIG. 2 is a front elevational view thereof;

FIG. 3 is a rear elevational view thereof; and

FIG. 4 is a right side elevational view thereof;

FIG. 5 is a top plan view thereof;

FIG. 6 is a bottom plan view thereof;

FIG. 7 is a perspective view of the top, front and left side of a second embodiment of an electronic balance showing my new design, wherein the electronic balance is provided with a windscreen;

FIG. 8 is a front elevational view thereof;

FIG. 9 is a rear elevational view thereof; and

FIG. 10 is a right side elevational view thereof; and,

FIG. 11 is a top plan view thereof.

1 Claim, 9 Drawing Sheets

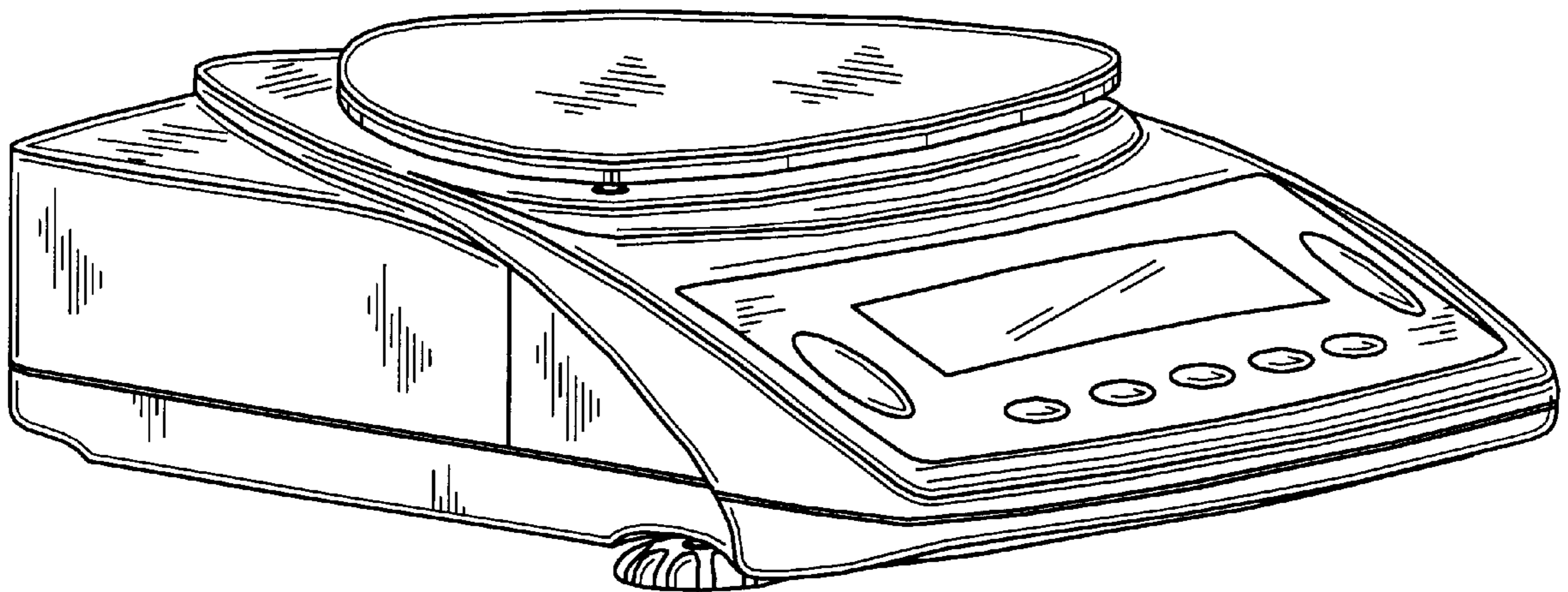


FIG. 1

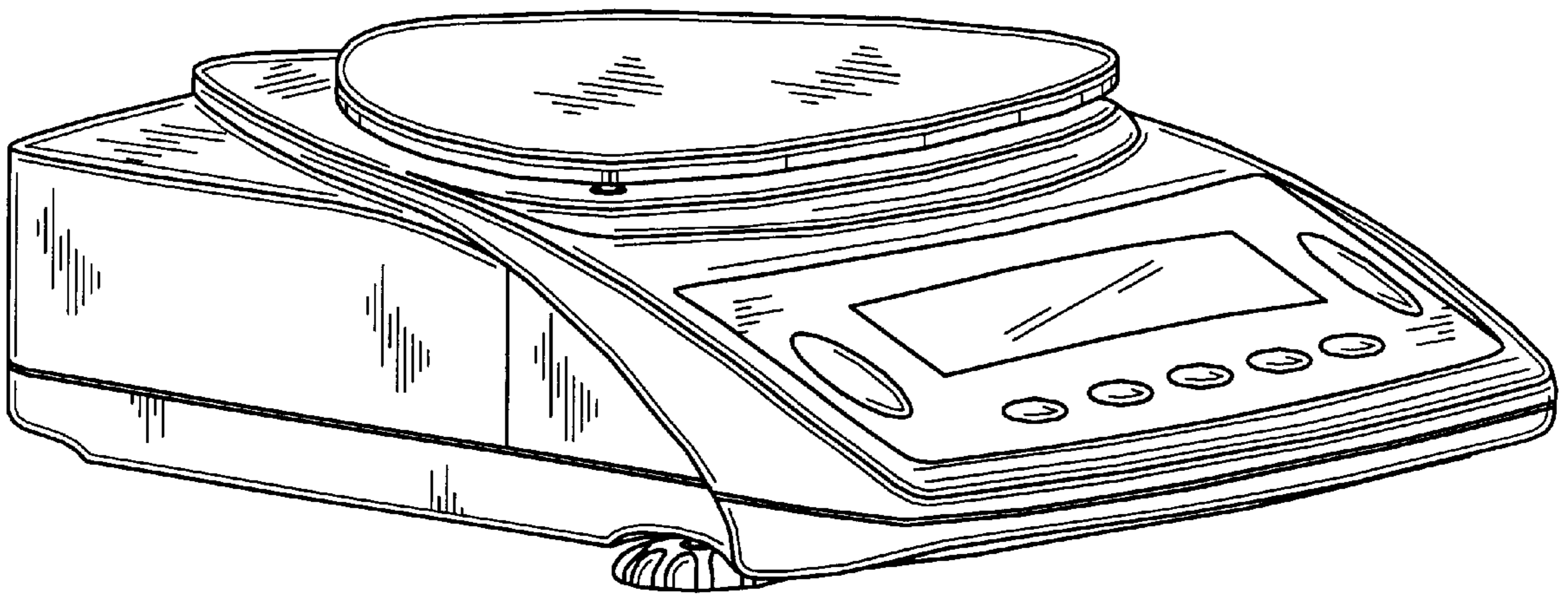


FIG. 2

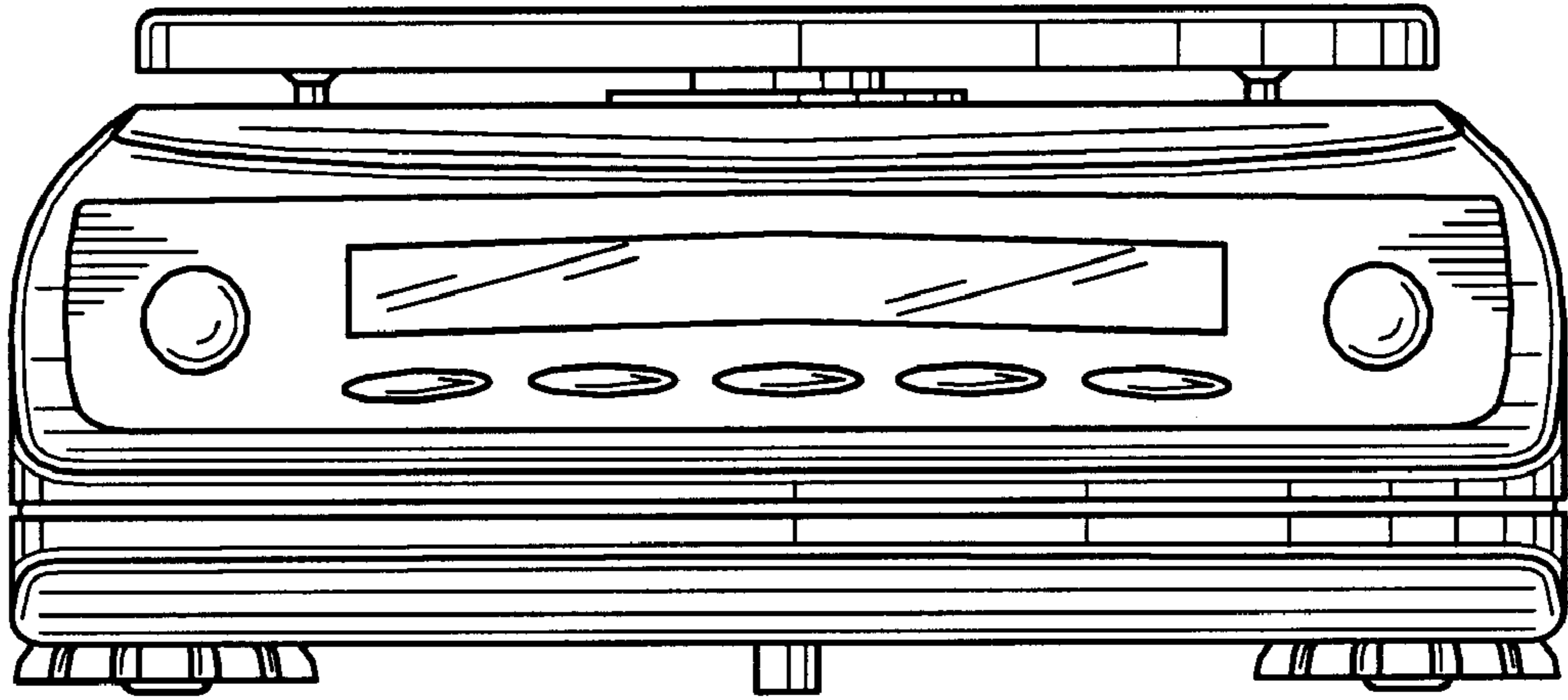


FIG. 3

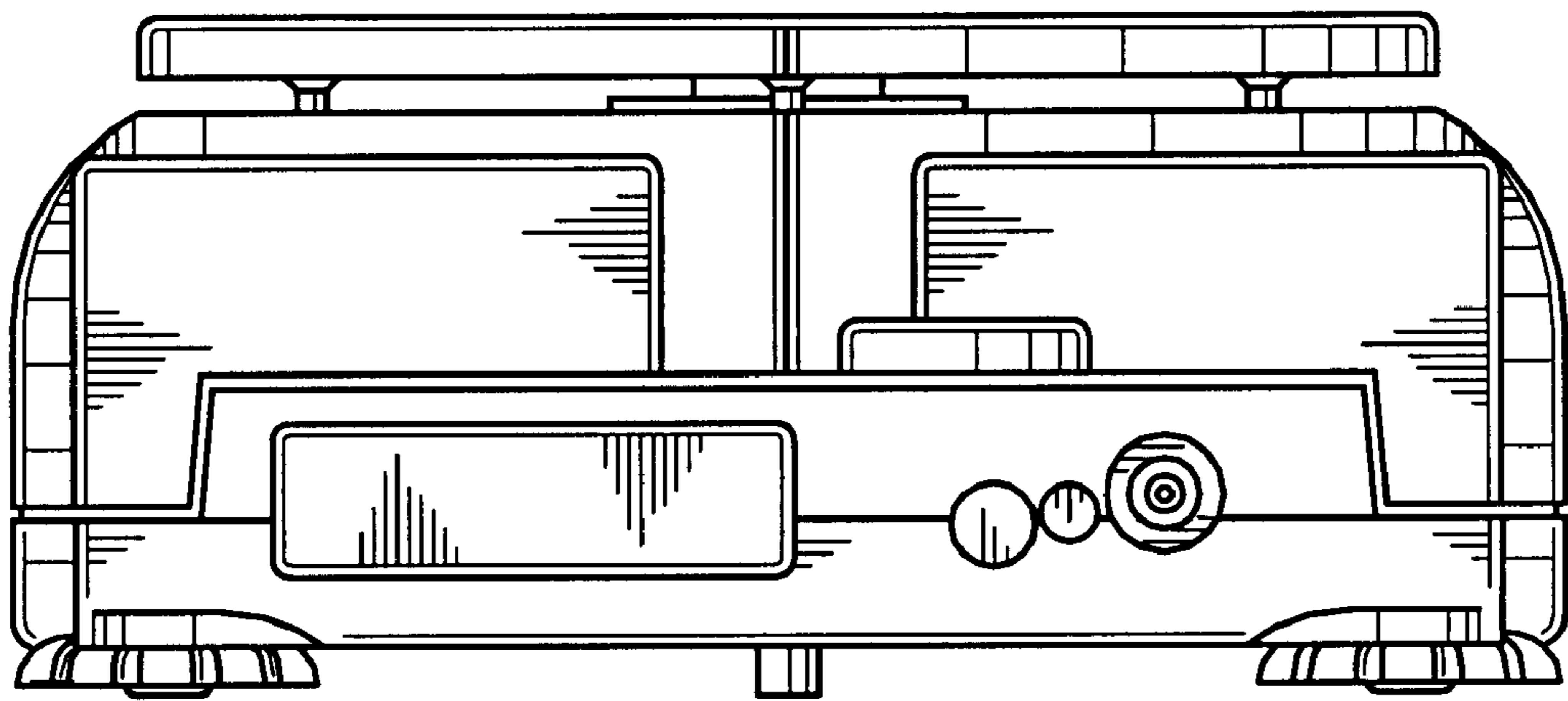


FIG. 4

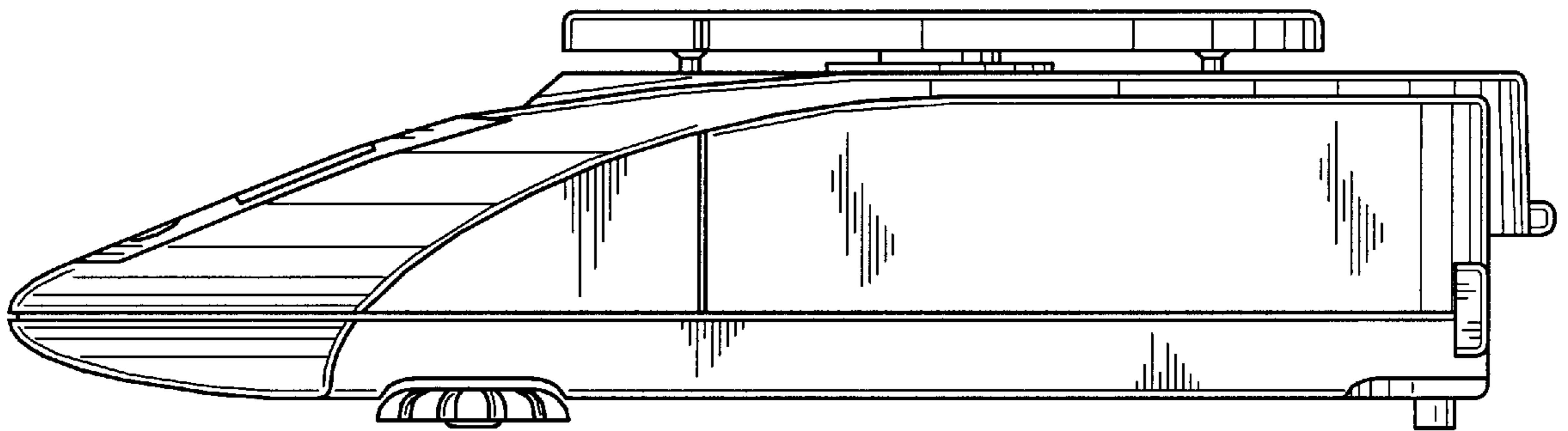


FIG. 5

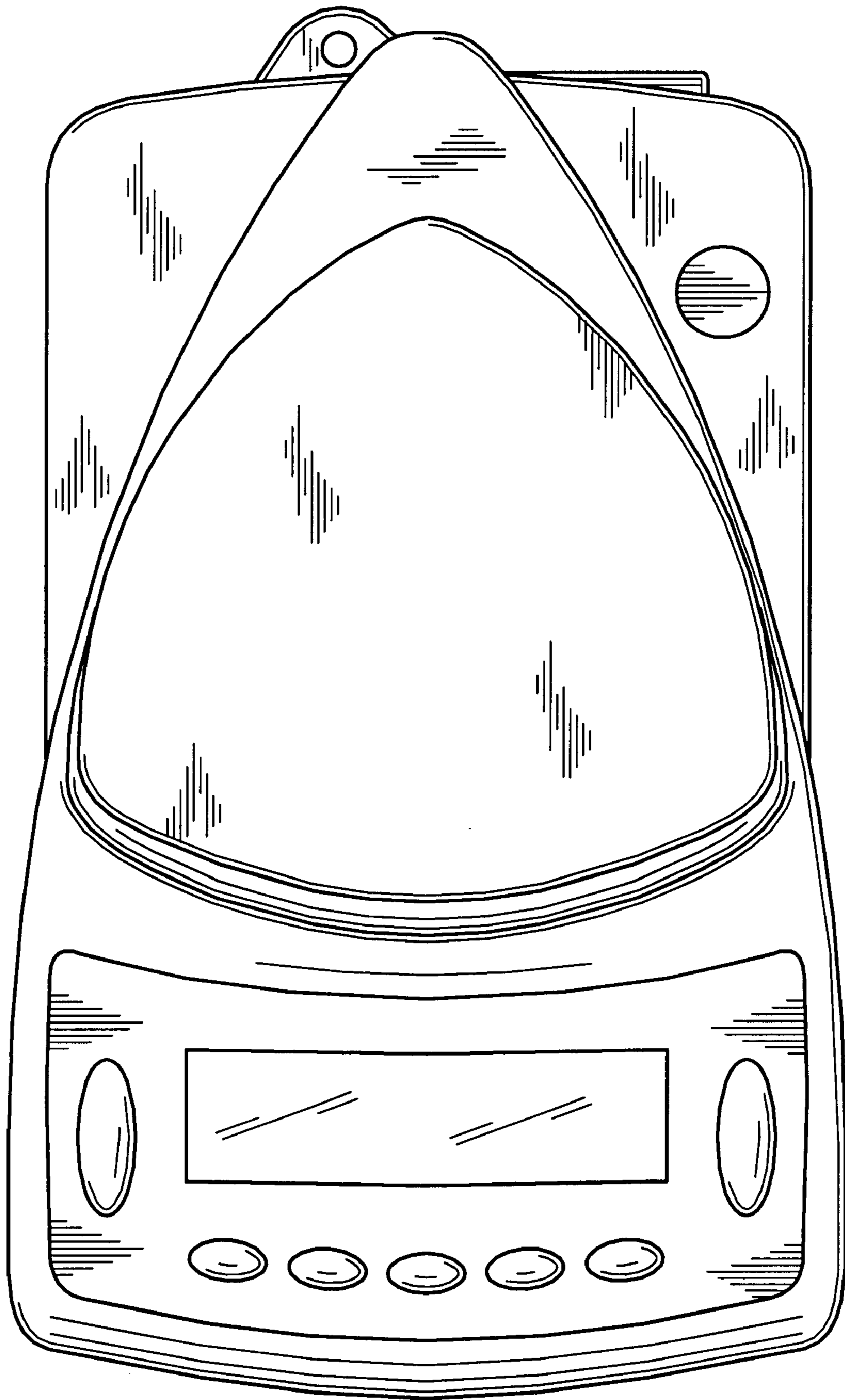


FIG. 6

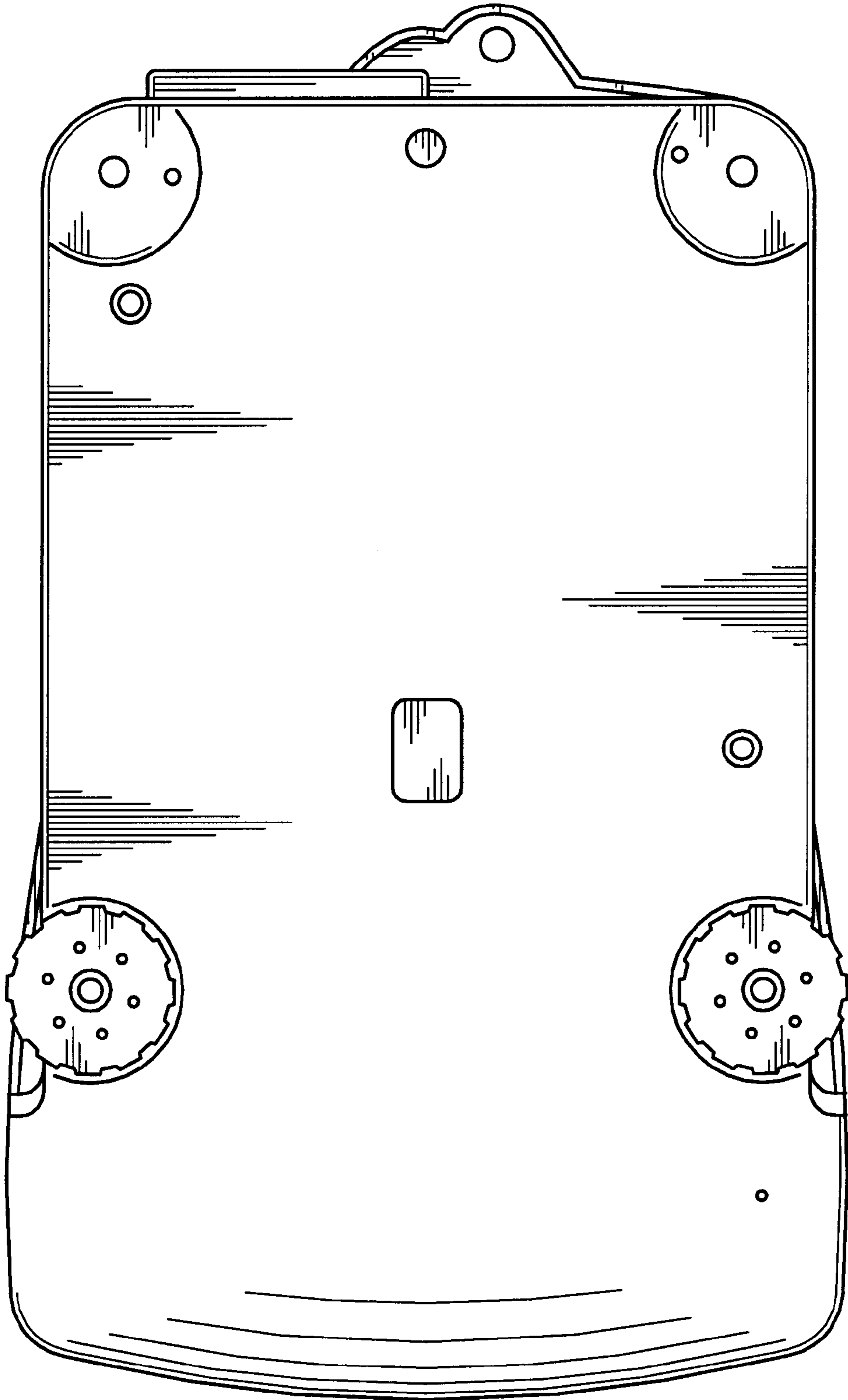
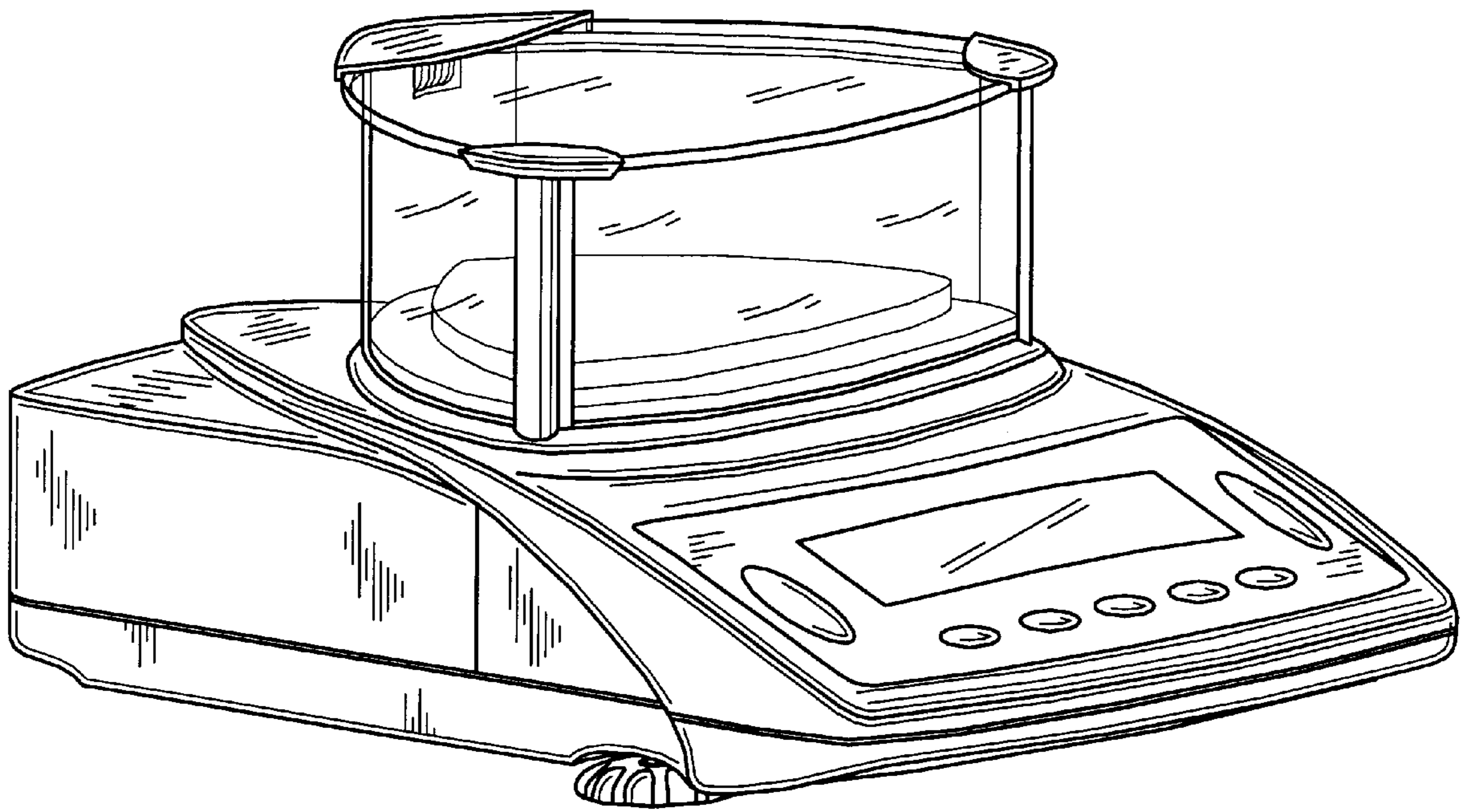


FIG. 7



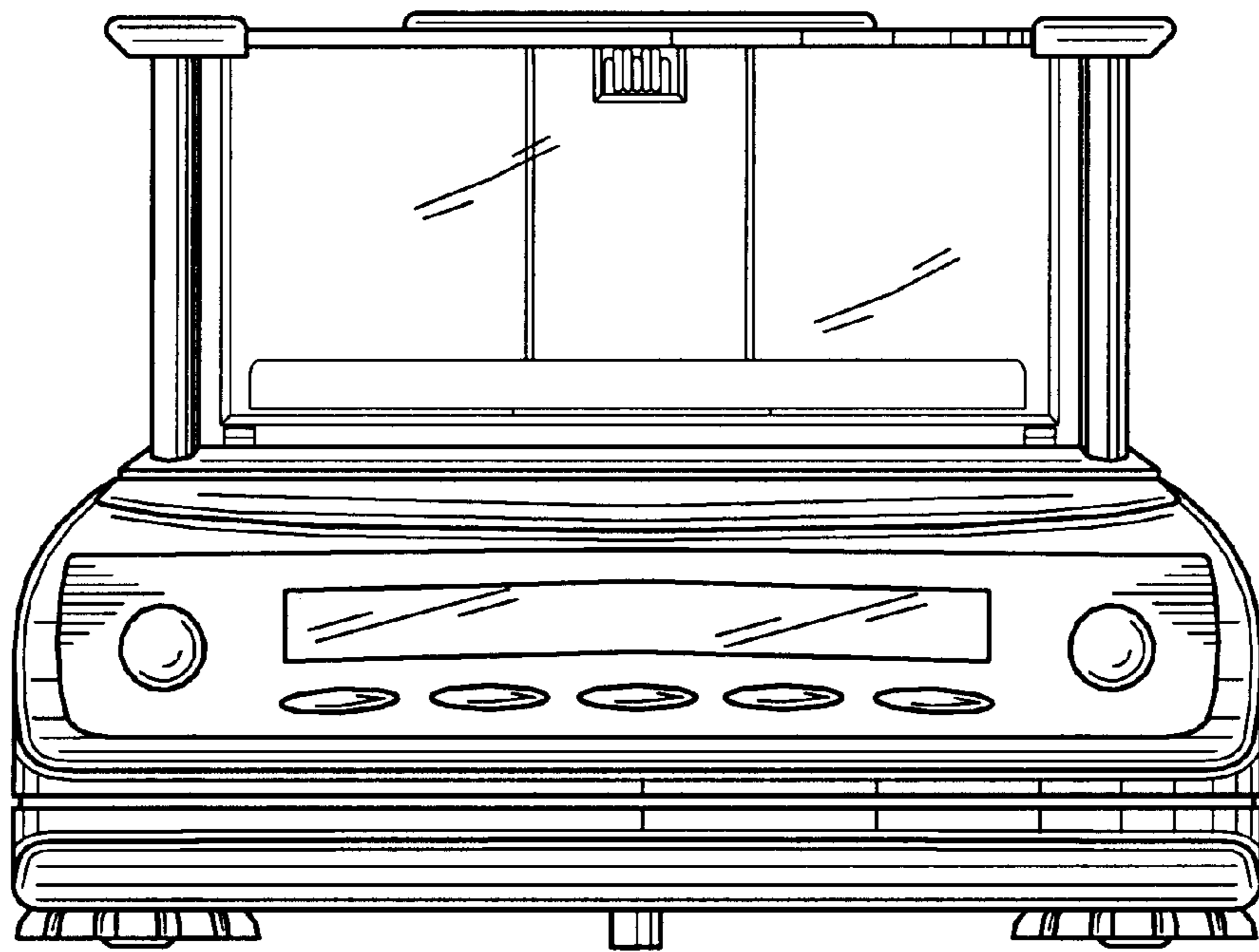


FIG. 8

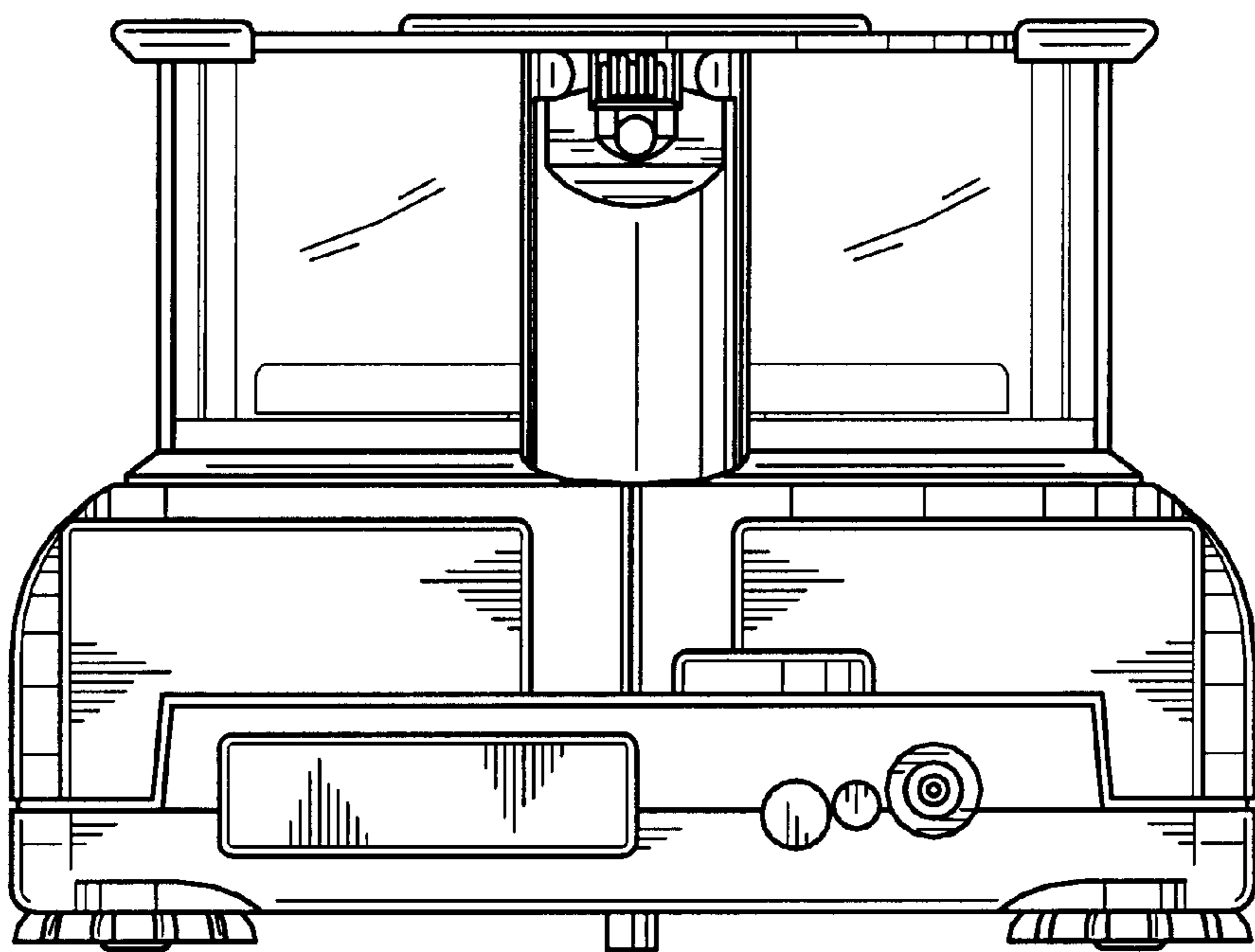


FIG. 9

FIG. 10

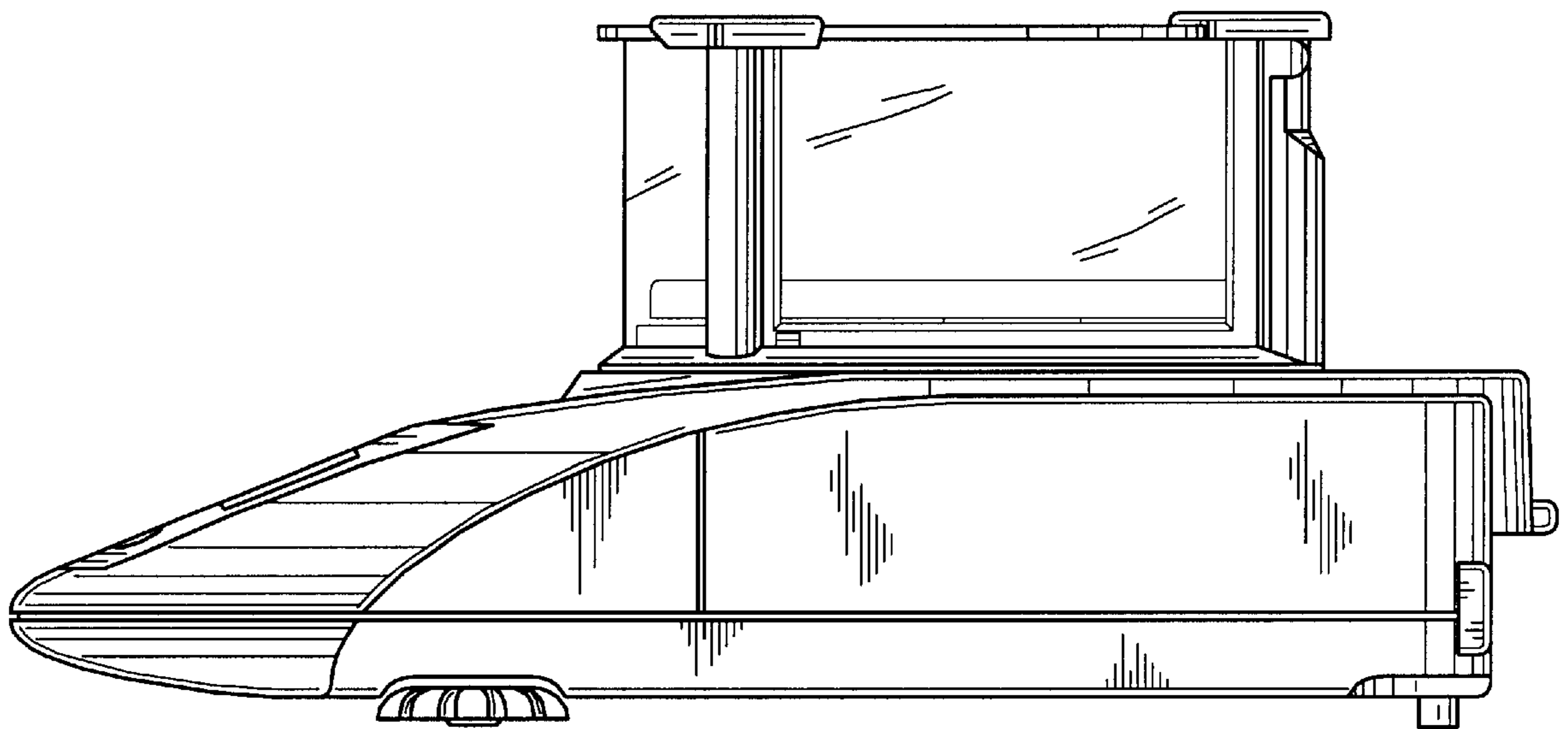


FIG. 11

