



US00D458859S

(12) **United States Design Patent**
Dwertmann

(10) **Patent No.:** **US D458,859 S**

(45) **Date of Patent:** **** Jun. 18, 2002**

(54) **ELECTRONIC BALANCE WITH
GENERALLY COLUMNAR WINDSCREEN**

5,298,688 A * 3/1994 Luechinger et al. 177/181
D389,076 S * 1/1998 Beckstrom et al. D10/91
D452,831 S * 1/2002 Dwertmann D10/91

(75) Inventor: **Clemens Dwertmann**, Lastrup (DE)

* cited by examiner

(73) Assignee: **Sartorius AG**, Goettingen (DE)

Primary Examiner—Antoine Duval Davis

(**) Term: **14 Years**

(74) *Attorney, Agent, or Firm*—Sughrue Mion, PLLC

(21) Appl. No.: **29/149,891**

(57) **CLAIM**

(22) Filed: **Oct. 22, 2001**

The ornamental design for an electronic balance with generally columnar windscreen, as shown and described.

(30) **Foreign Application Priority Data**

DESCRIPTION

Apr. 21, 2001 (DE) 4 01 03 815

FIG. 1 is a perspective view of the top, front and left side of an electronic balance showing my new design;

(51) **LOC (7) Cl.** **10-04**

FIG. 2 is a front elevational view thereof;

(52) **U.S. Cl.** **D10/91**

FIG. 3 is a rear elevational view thereof; and

(58) **Field of Search** D10/91; 177/124,
177/180-182, 238-241

FIG. 4 is a right side elevational view thereof;

FIG. 5 is a top plan view thereof; and,

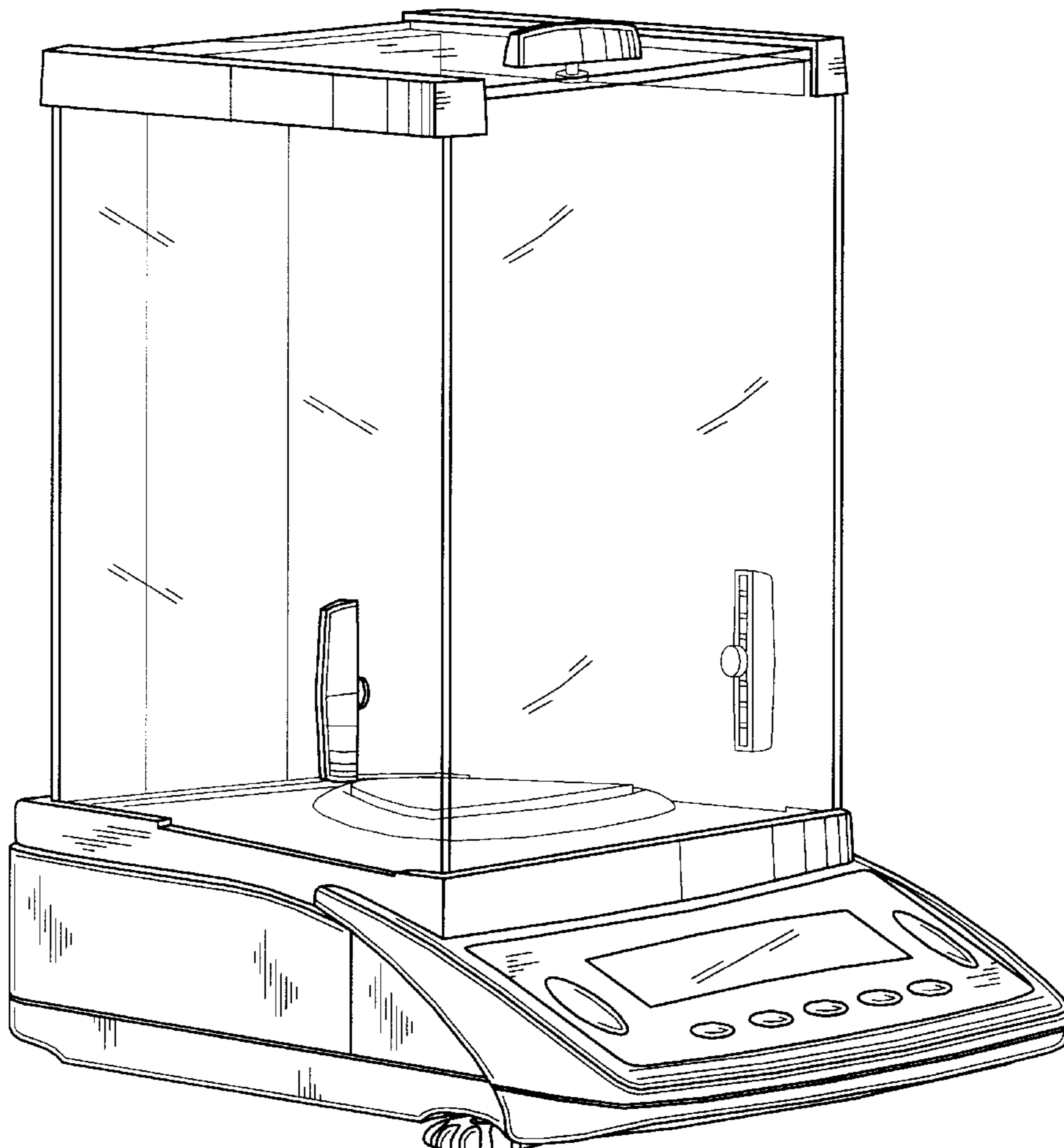
FIG. 6 is a bottom plan view thereof.

(56) **References Cited**

U.S. PATENT DOCUMENTS

D339,538 S * 9/1993 Fellmann D10/91

1 Claim, 6 Drawing Sheets



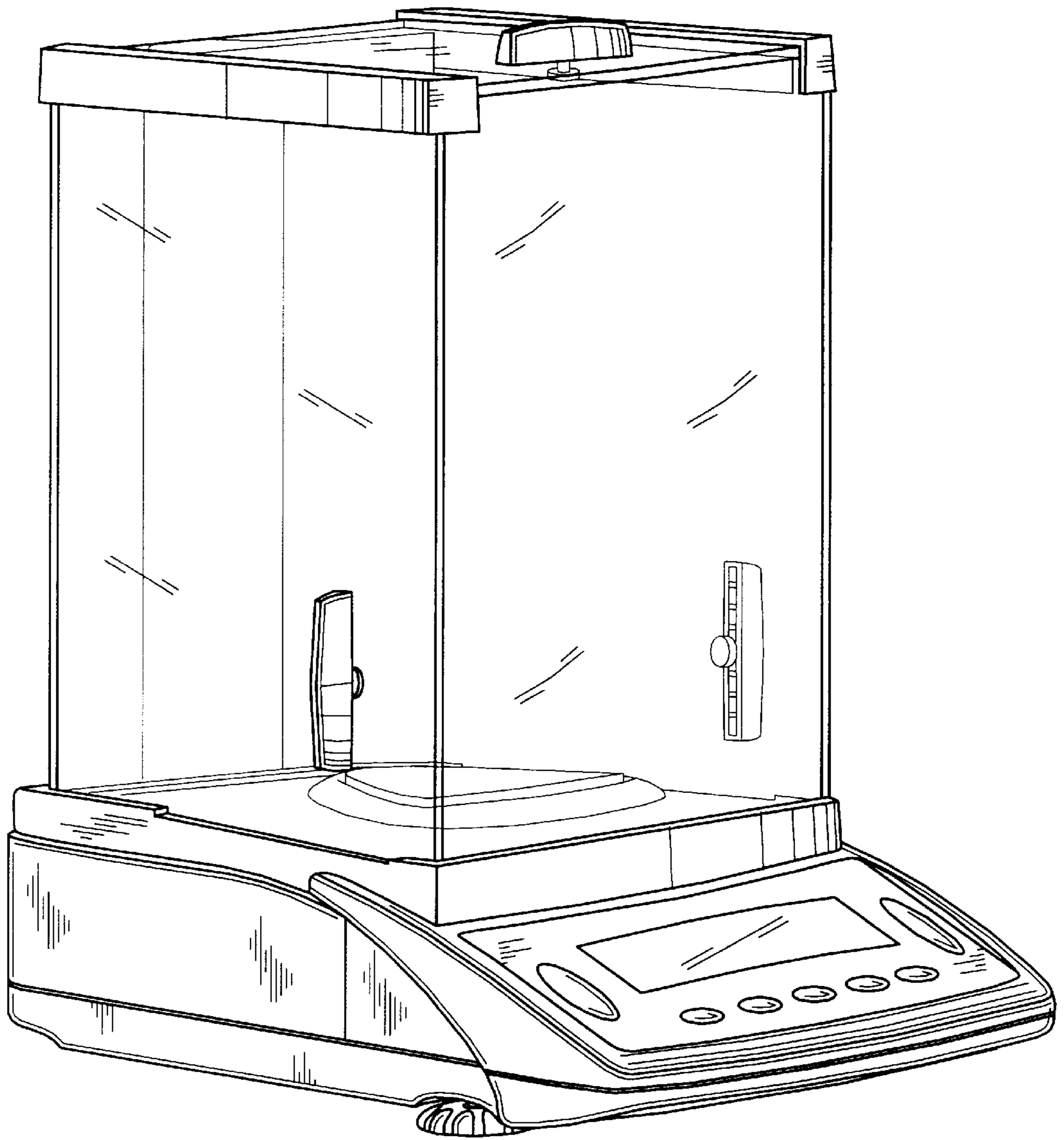


FIG. 1

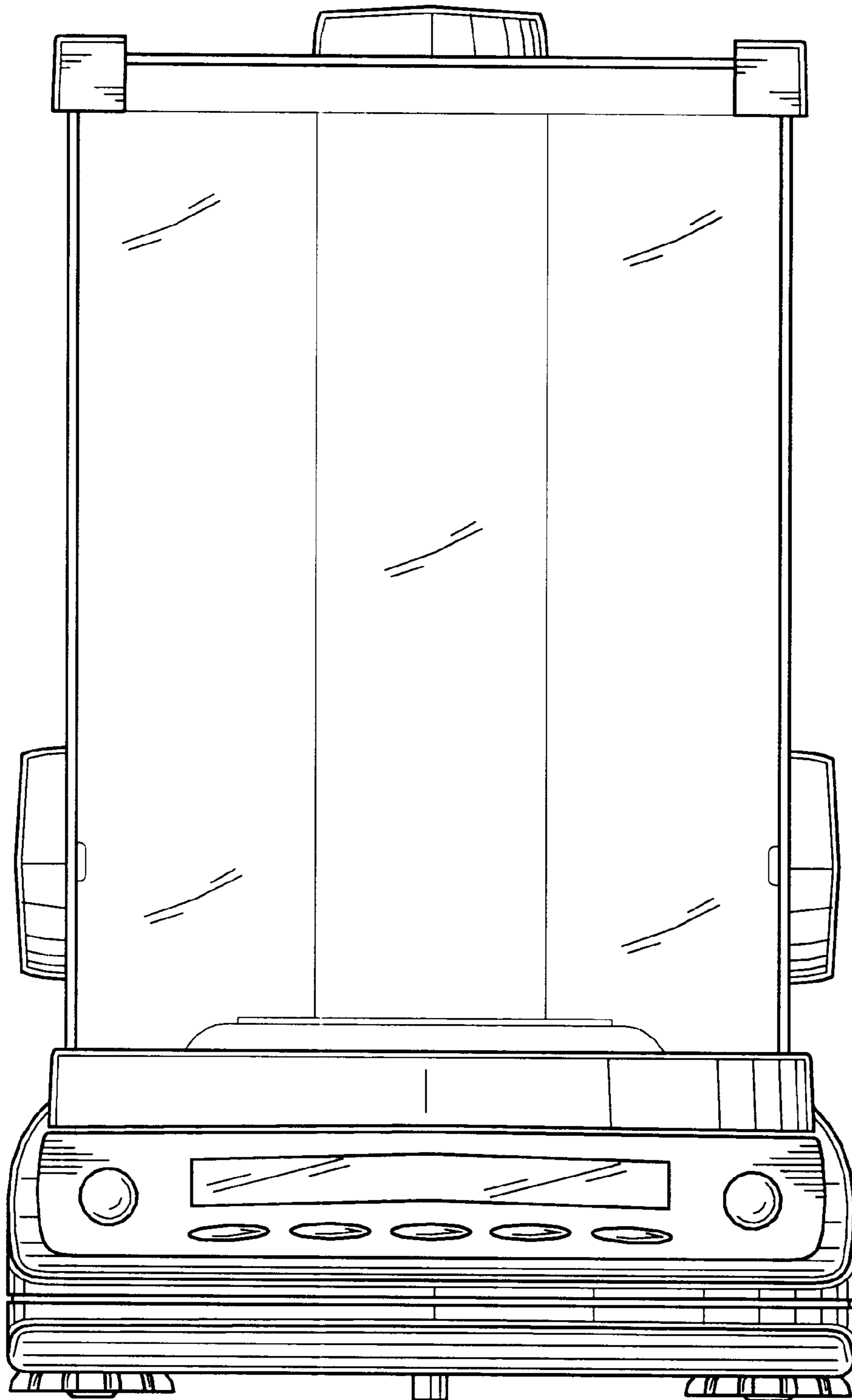


FIG. 2

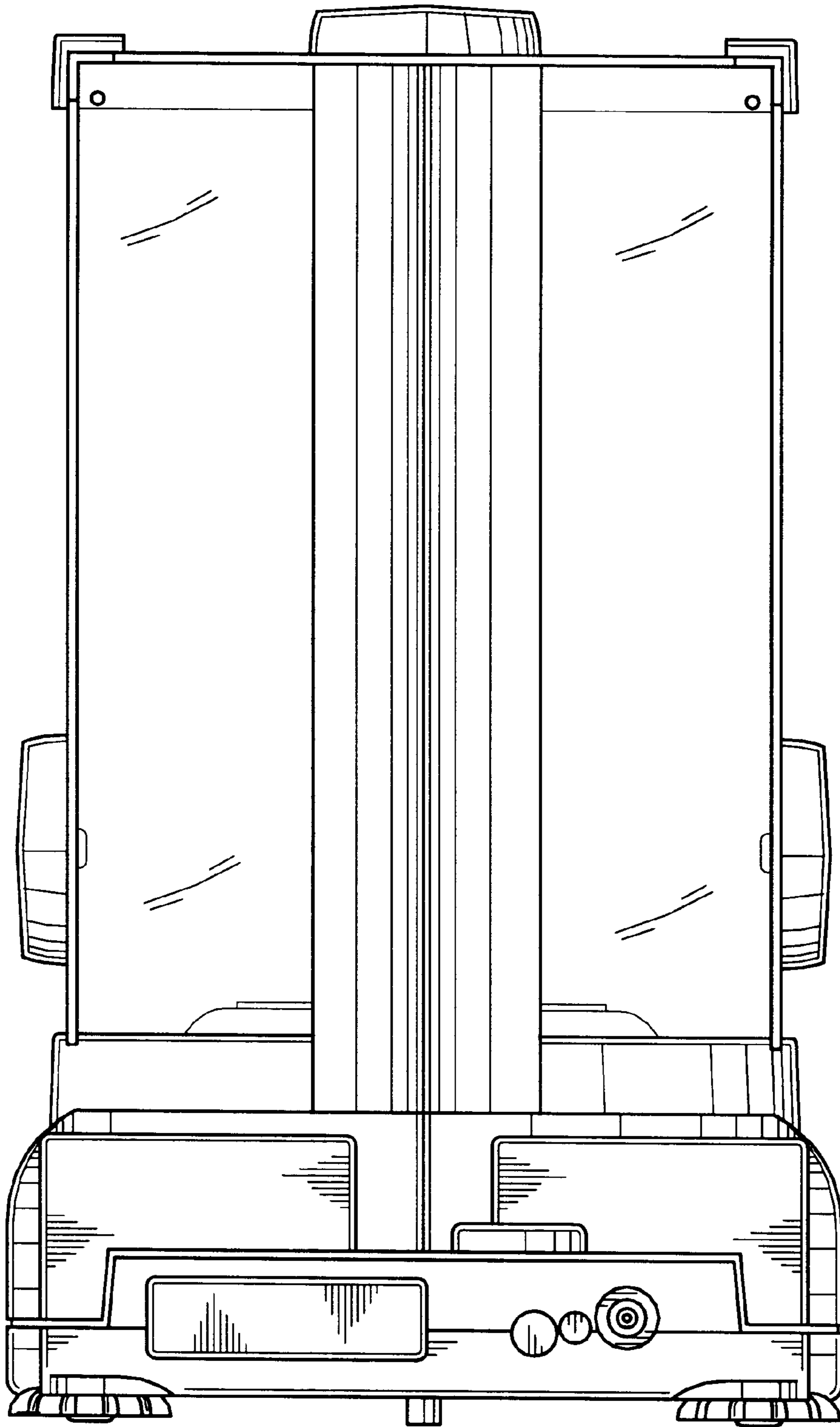


FIG. 3

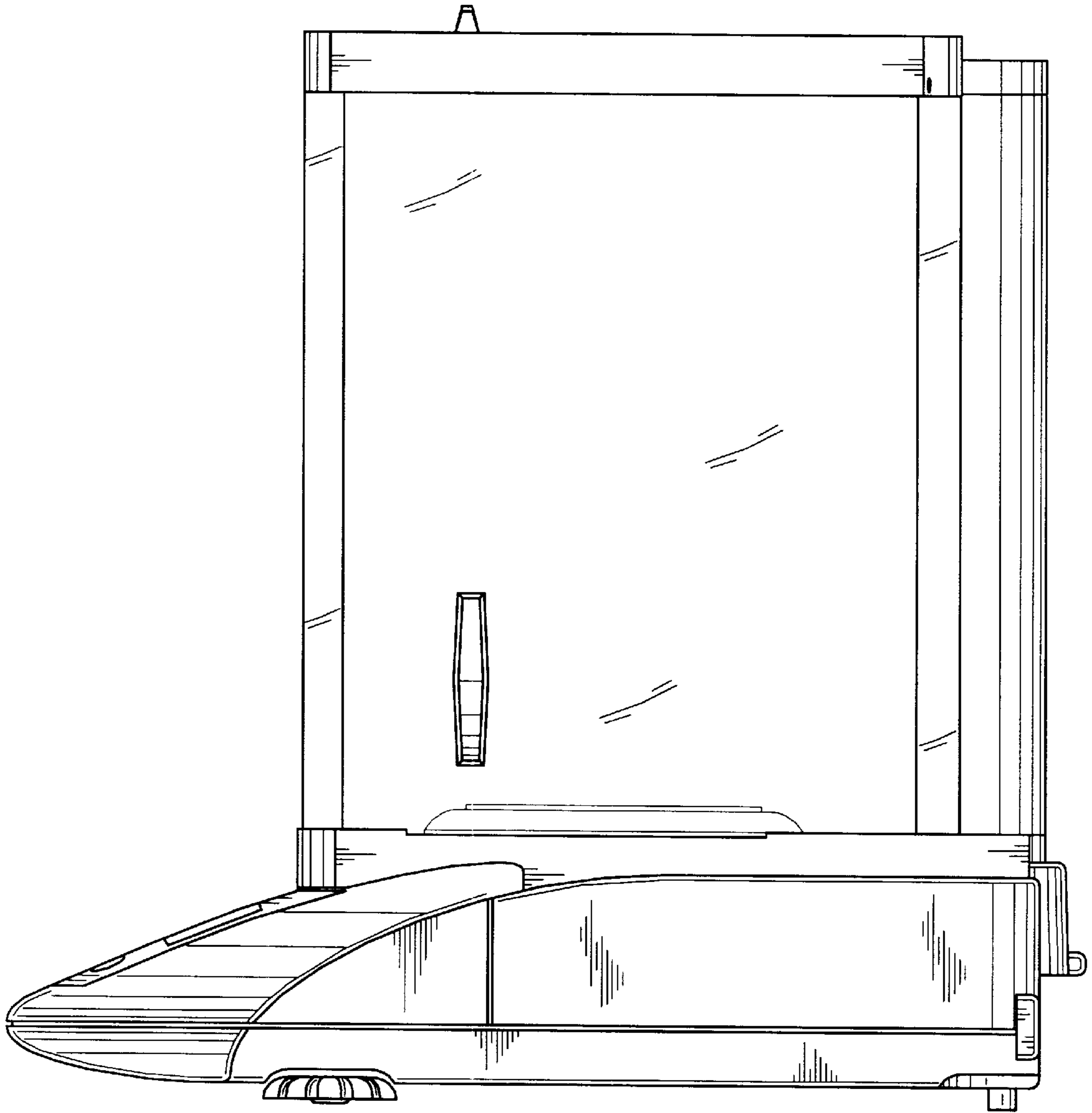


FIG. 4

FIG. 5

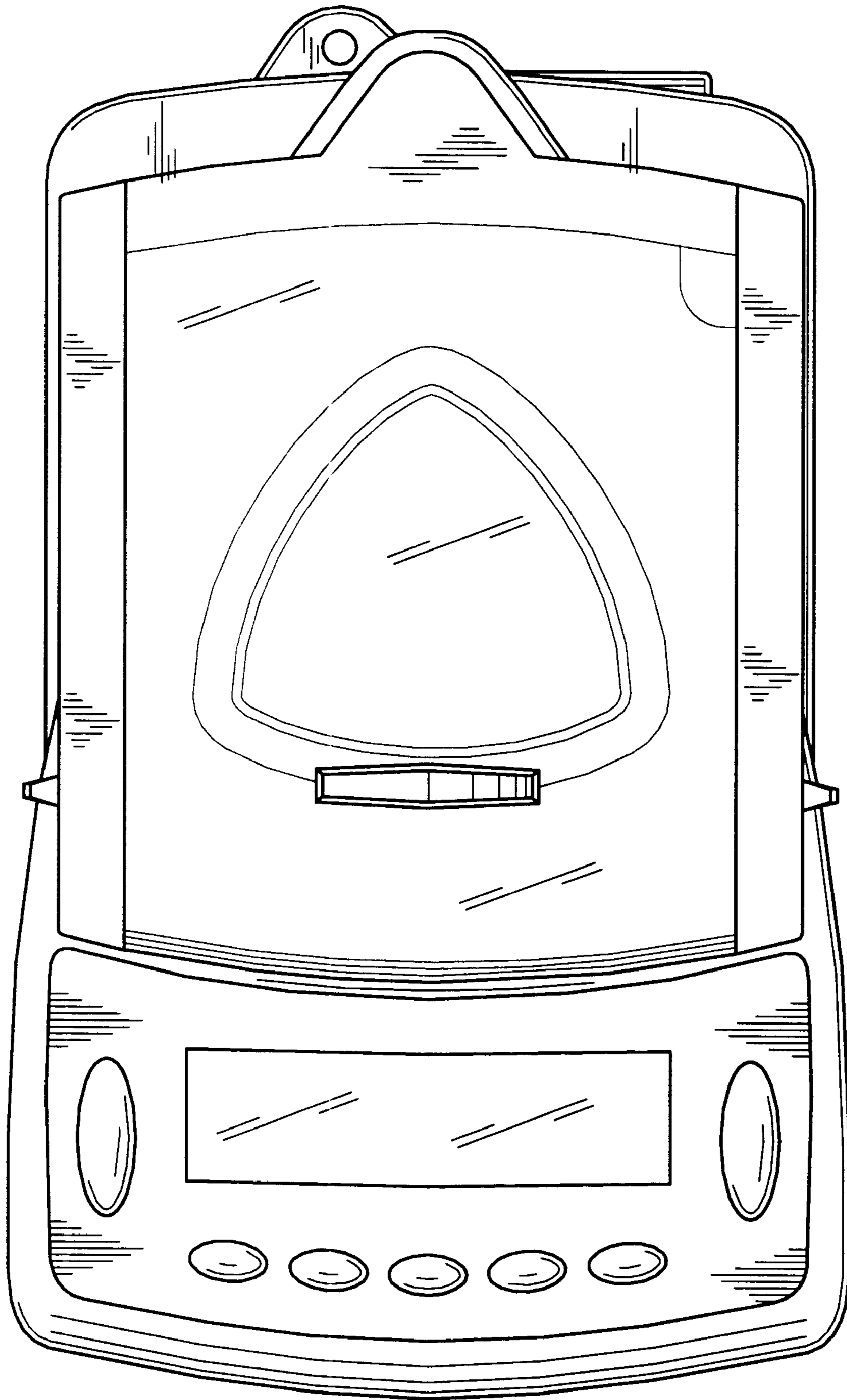


FIG. 6

