



US00D458858S

(12) **United States Design Patent**
Thadani

(10) **Patent No.:** **US D458,858 S**

(45) **Date of Patent:** **** Jun. 18, 2002**

(54) **FISHING SCALE**

(76) Inventor: **Mohan Thadani**, 4120 Ridgeway Drive
Apt. #37, Mississauga, Ontario (CA),
L5L 5S9

(**) Term: **14 Years**

(21) Appl. No.: **29/143,743**

(22) Filed: **Jun. 20, 2001**

(51) **LOC (7) Cl.** **10-04**

(52) **U.S. Cl.** **D10/89**

(58) **Field of Search** D10/89; 177/148,
177/238-246

(56) **References Cited**

U.S. PATENT DOCUMENTS

D288,789 S	*	3/1987	Rumbaugh	D10/89
4,660,666 A	*	4/1987	Reder et al.	177/148
4,936,399 A	*	6/1990	Christman et al.	177/148
5,545,855 A	*	8/1996	Stanfield et al.	177/25.13
D409,106 S	*	5/1999	Stanfield et al.	D10/89
5,986,222 A	*	11/1999	Helberg	177/148

OTHER PUBLICATIONS

A printout (labeled W-1) of a World Wide Web site (Web site) relating to a "Bass Pro Shops Fish Scale", 1 page, printed Apr. 6, 2001.

A printout (labeled W-2) of a Web site relating to a "Normark Weigh-In Scale", 1 page, printed Apr. 6, 2001.

A printout (labeled W-3) of a Web site relating to "Normark Weigh-In Scales", 1 page, printed Apr. 6, 2001.

A printout (labeled W-4) of a Web site relating to a "Stren 50-lb. Digital Scale", 1 page, printed Apr. 6, 2001.

A printout (labeled W-5) of a Web site relating to a "Berkely 20-lb. Digital Fish Scale", 1 page, printed Apr. 6, 2001.

A printout (labeled W-6) of a Web site relating to a "Berkely 50-lb. Digital Fish Scale", 1 page, printed Apr. 6, 2001.

* cited by examiner

Primary Examiner—Antoine Duval Davis

(74) *Attorney, Agent, or Firm*—Greenblum & Bernstein, P.L.C.

(57) **CLAIM**

The ornamental design for a fishing scale, as shown and described.

DESCRIPTION

FIG. 1 is a front elevational view of a first embodiment of a fishing scale, showing my new design;

FIG. 2 is a rear elevational view of the embodiment of FIG. 1;

FIG. 3 is a top plan view of the embodiment of FIG. 1;

FIG. 4 is a bottom plan view of the embodiment of FIG. 1;

FIG. 5 is a right side elevational view of the embodiment of FIG. 1;

FIG. 6 is a left side elevational view of the embodiment of FIG. 1;

FIG. 7 is a front perspective view of the embodiment of FIG. 1;

FIG. 8 is a front perspective view of a fishing scale, showing my new design, in an alternate position;

FIG. 9 is a front elevational view of the embodiment of FIG. 8;

FIG. 10 is a rear elevational view of the embodiment of FIG. 8;

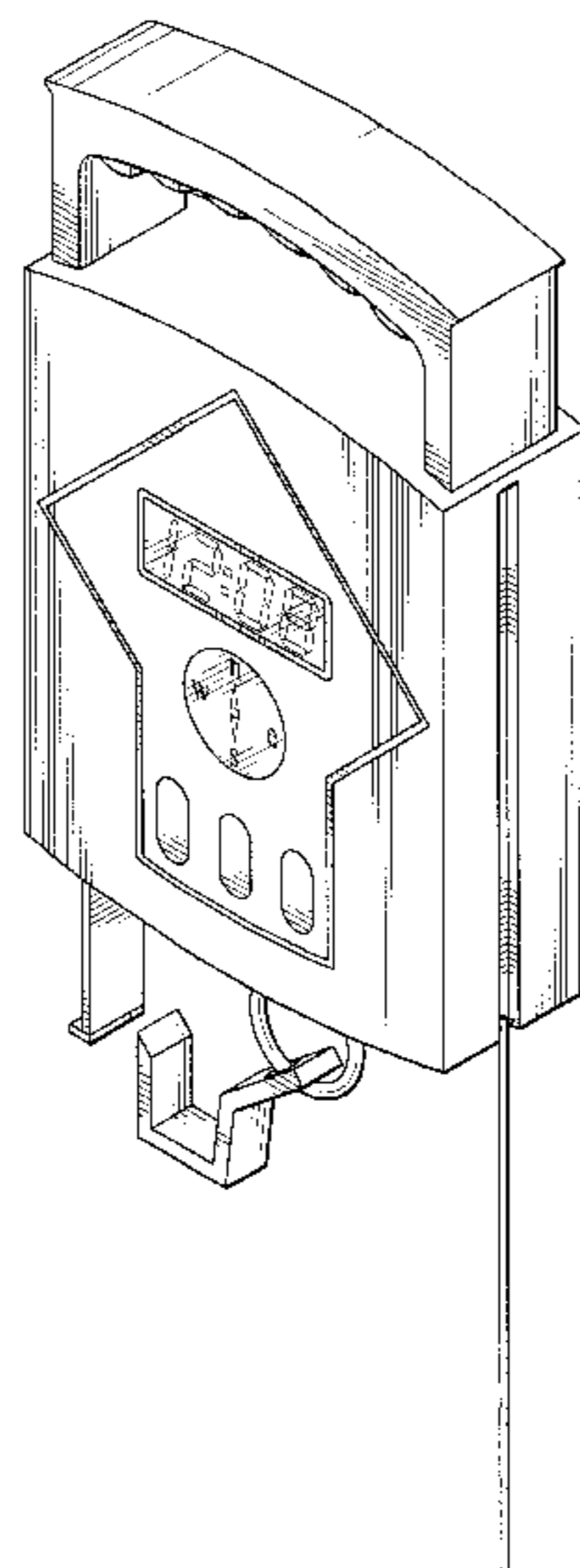
FIG. 11 is a right side elevational view of the embodiment of FIG. 8;

FIG. 12 is a left side elevational view of the embodiment of FIG. 8; and,

FIG. 13 is a front elevational view of a second embodiment of a fishing scale, showing my new design.

The top and bottom views of FIGS. 8-12 have been omitted because they are the same as that shown in FIGS. 3 and 4 while the rear, right, top and bottom views of the second embodiment have been omitted because they are the same as that shown in FIGS. 1-7.

1 Claim, 10 Drawing Sheets



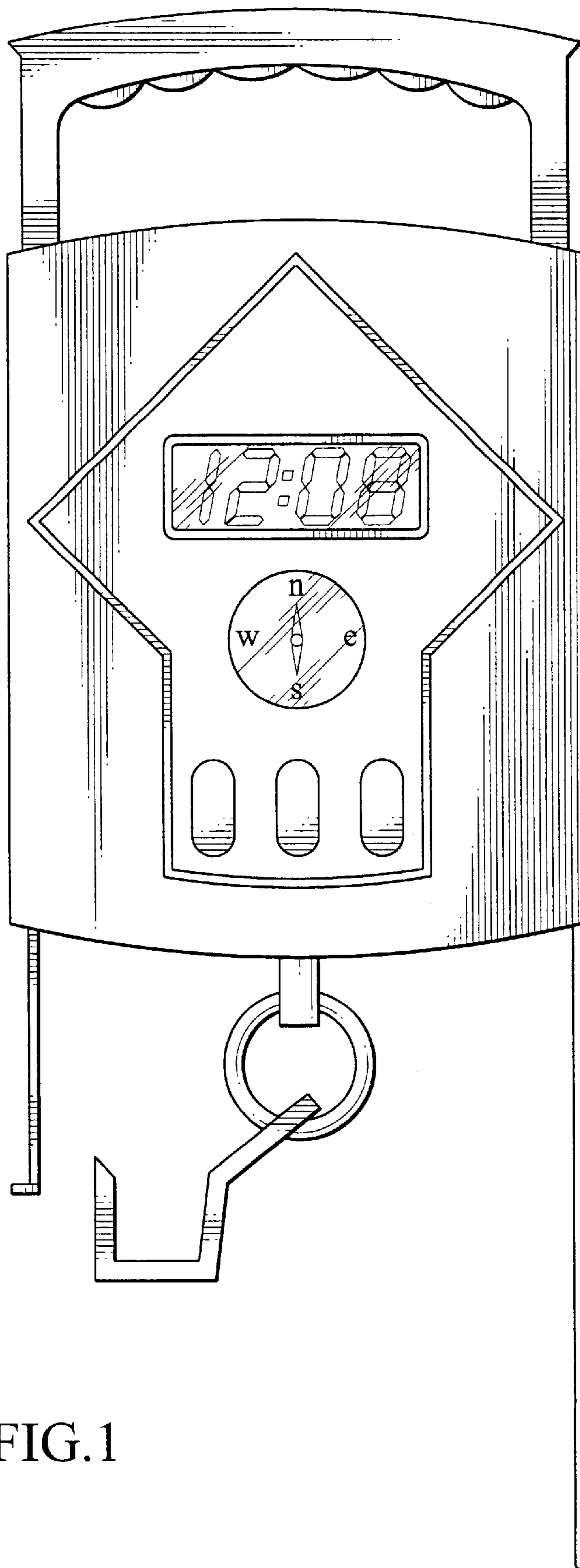


FIG.1

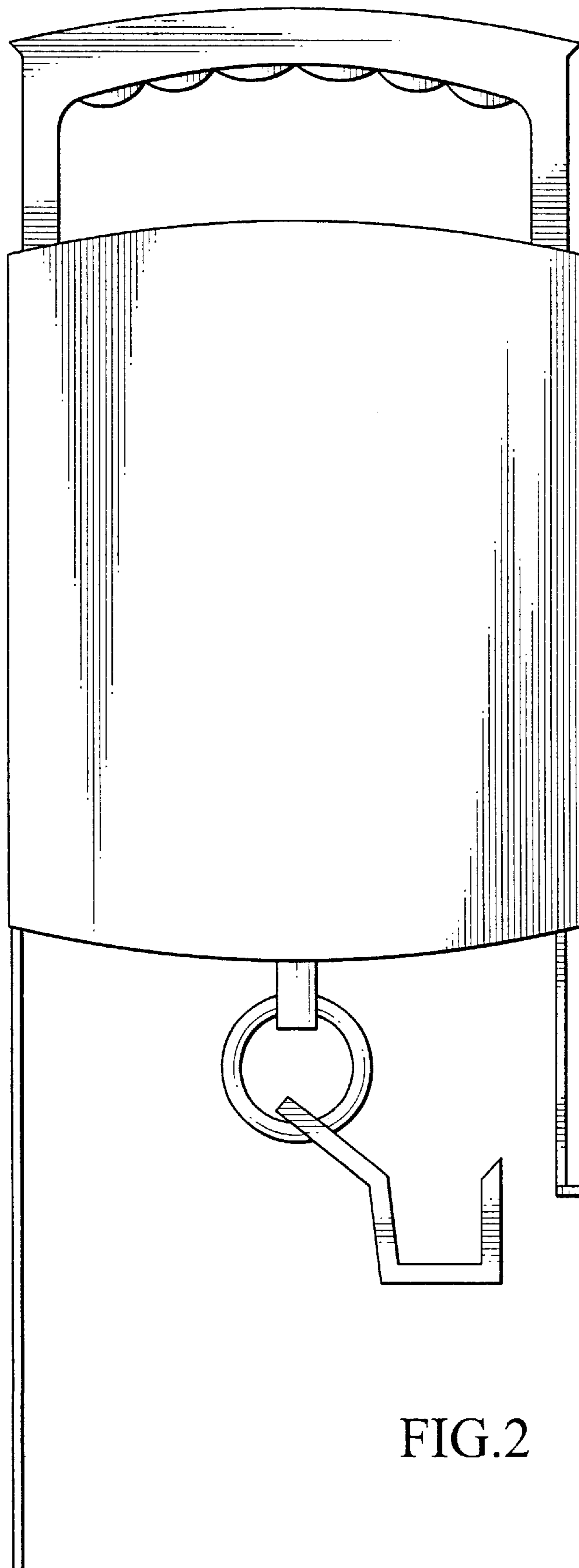


FIG. 2

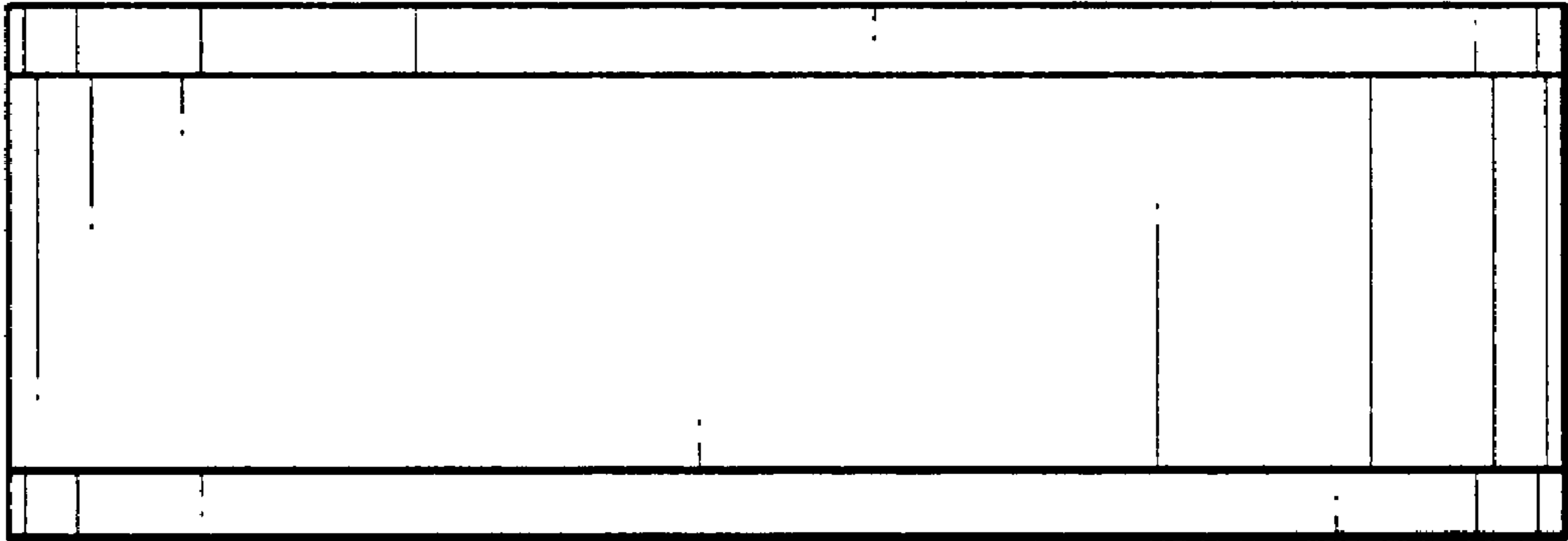


FIG. 3

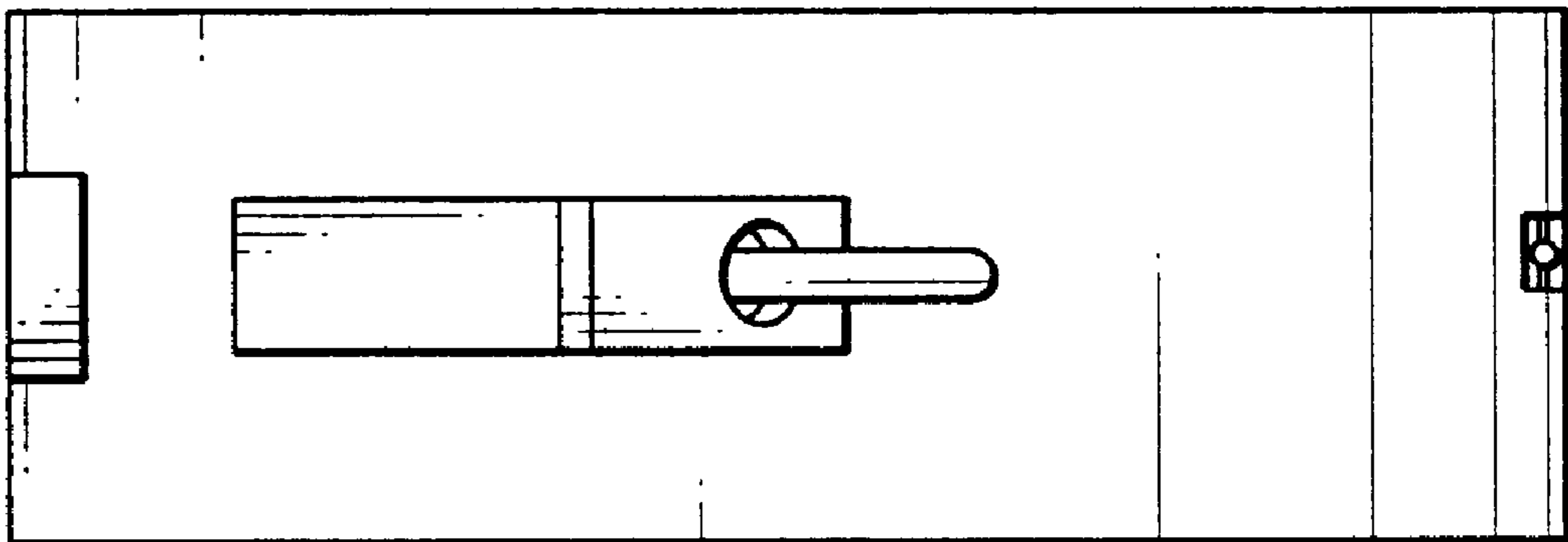


FIG. 4

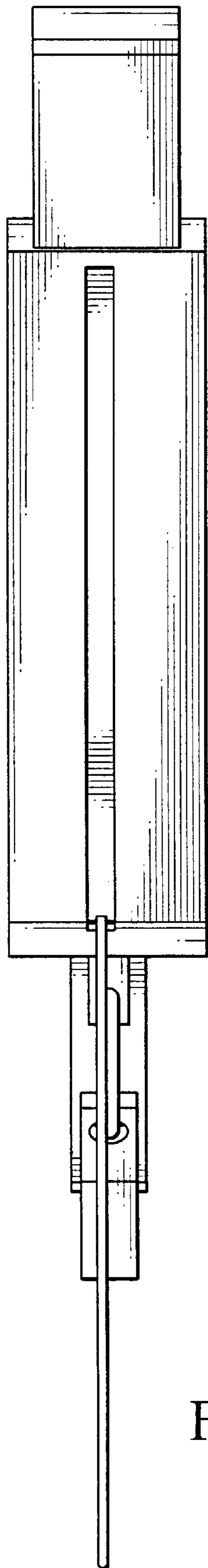


FIG. 5

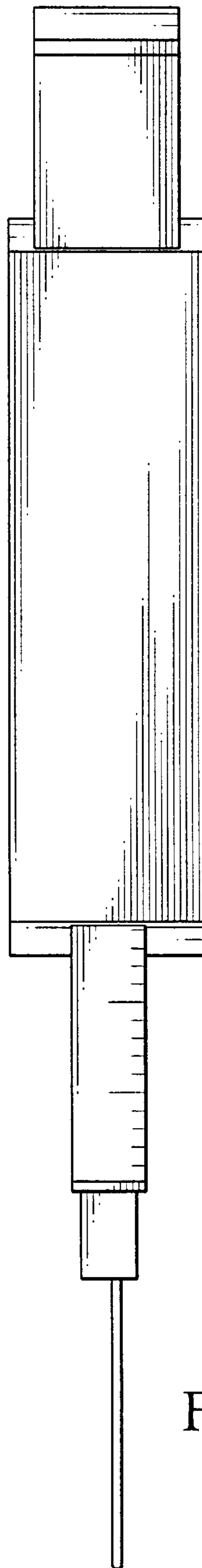


FIG. 6

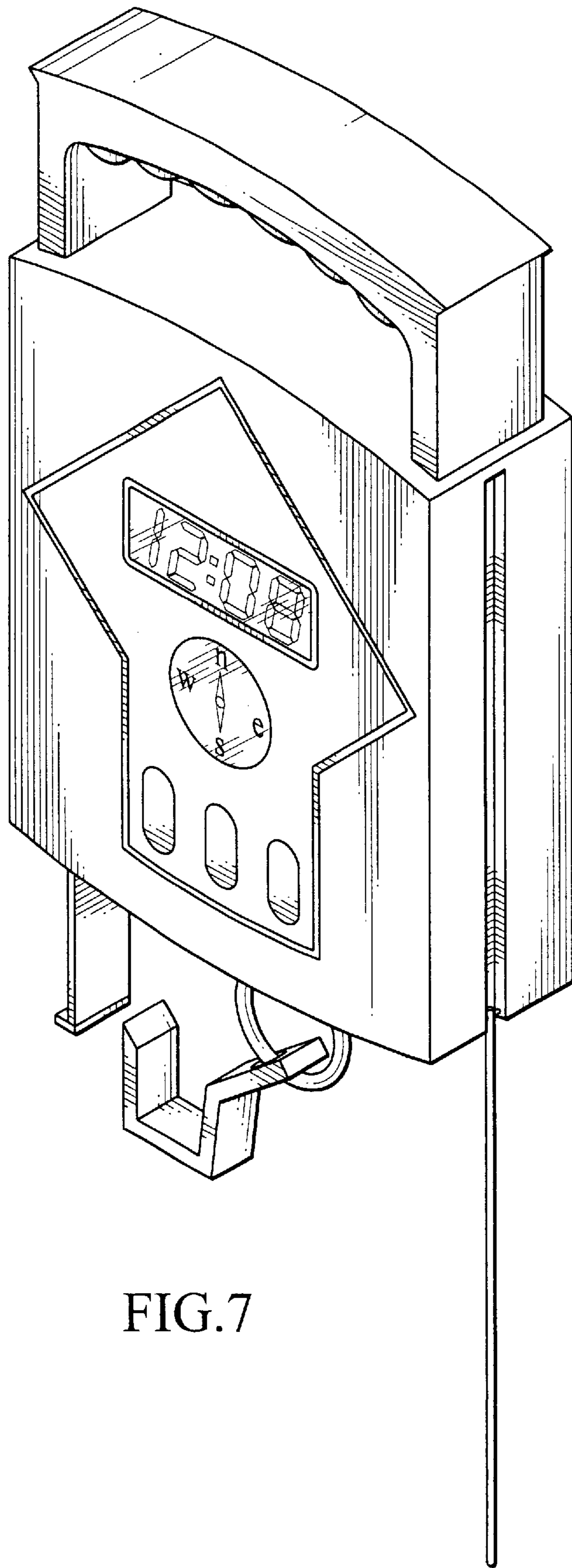


FIG. 7

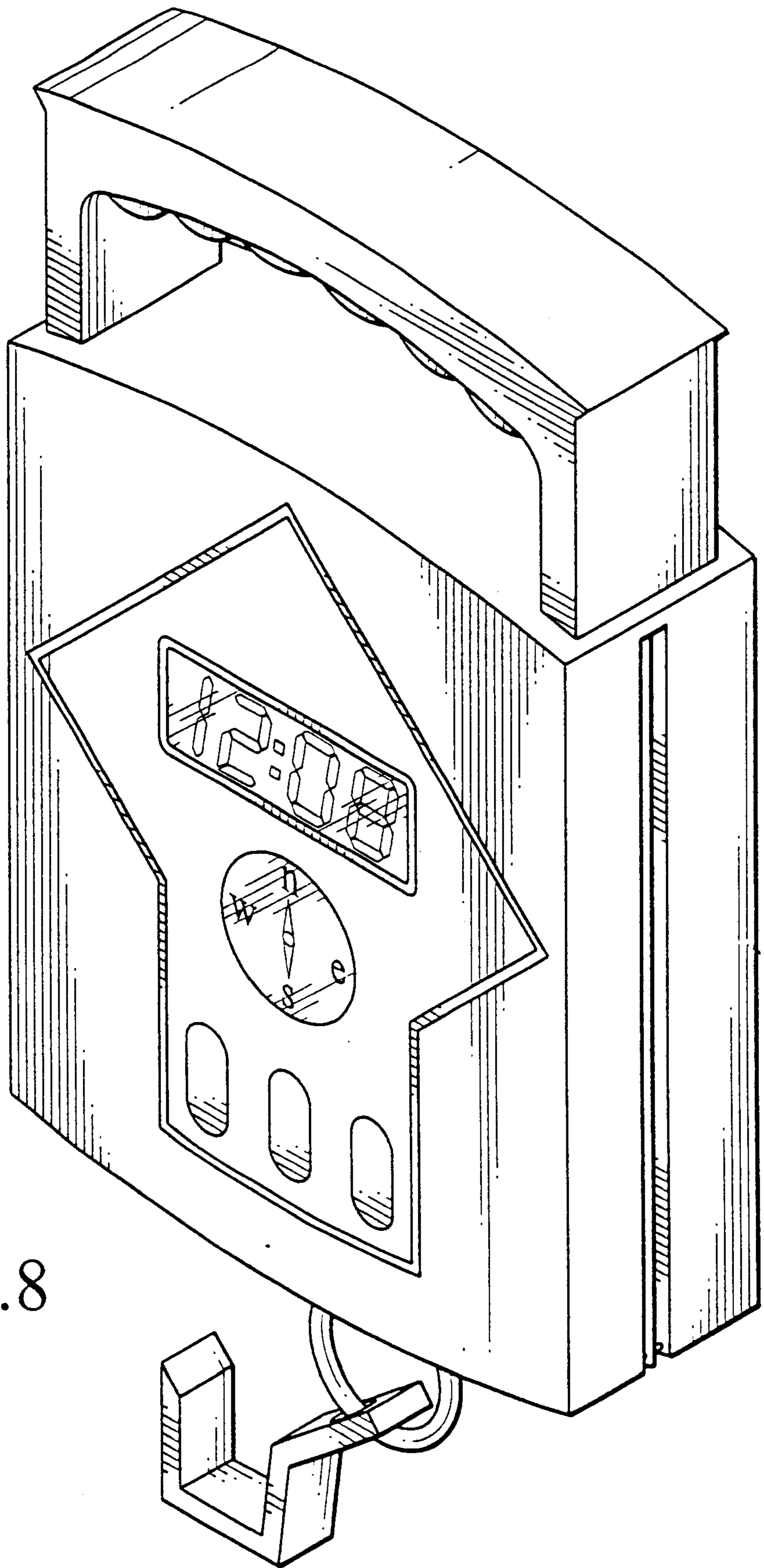


FIG.8

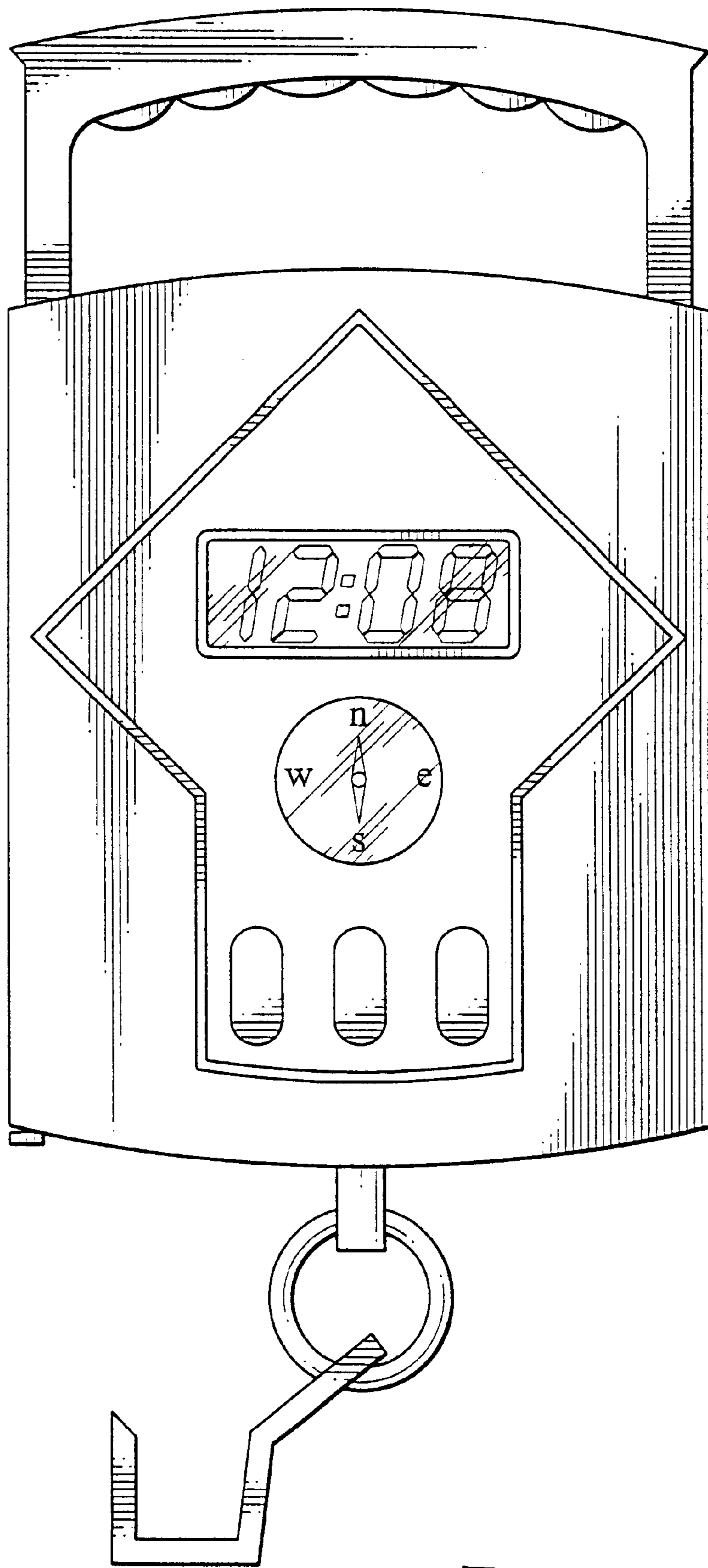


FIG. 9

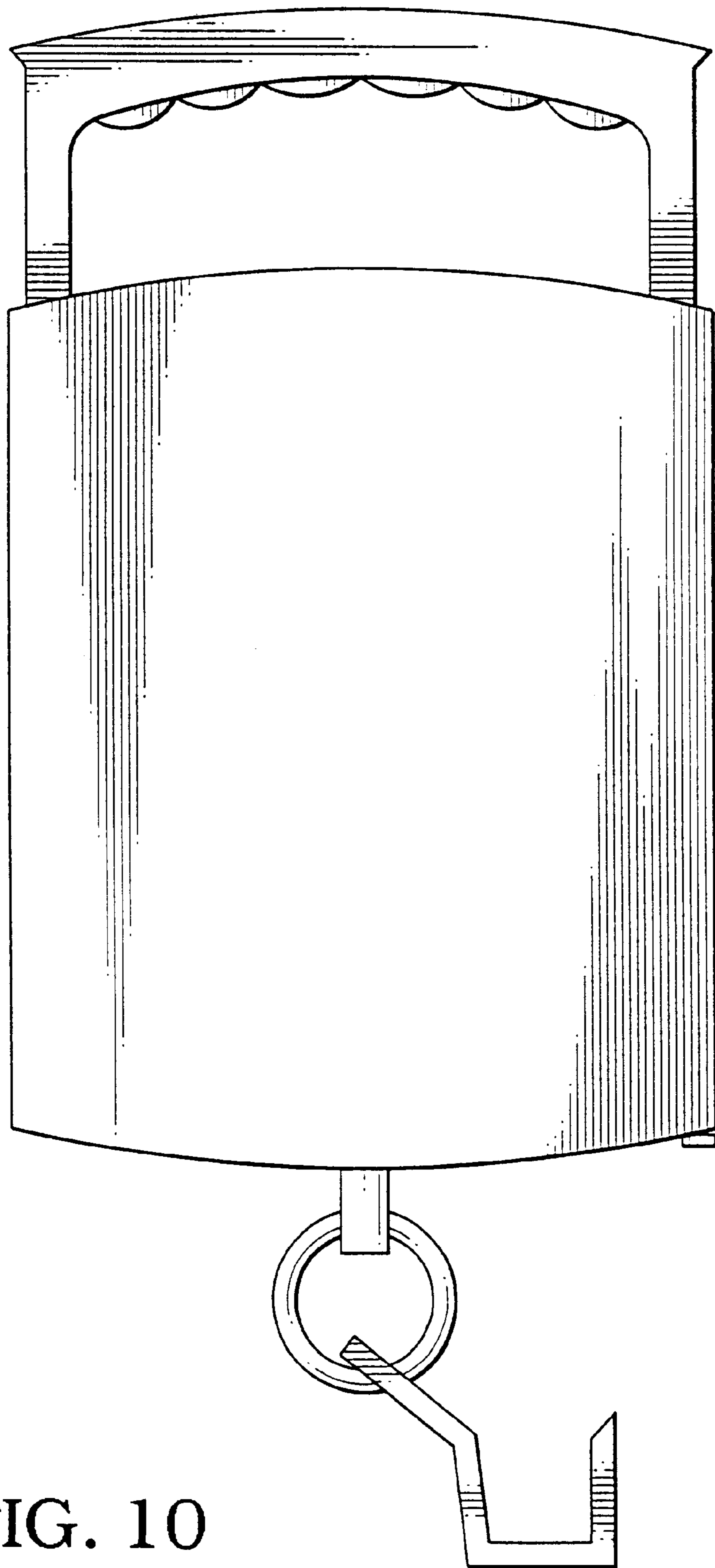


FIG. 10

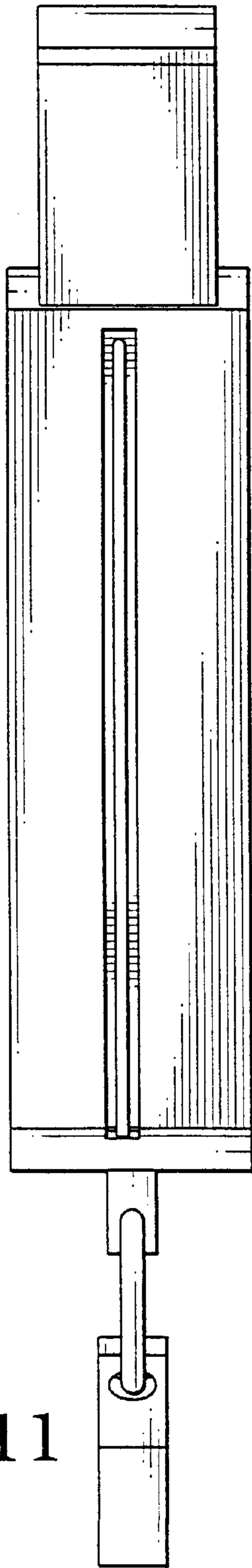


FIG. 11

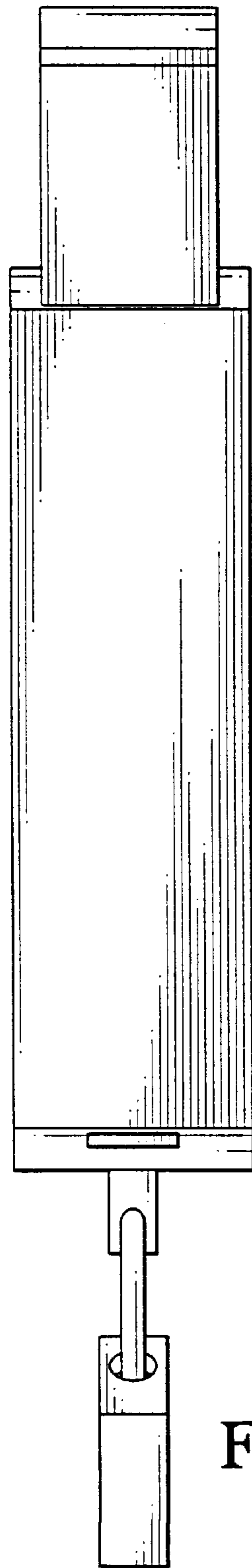


FIG. 12

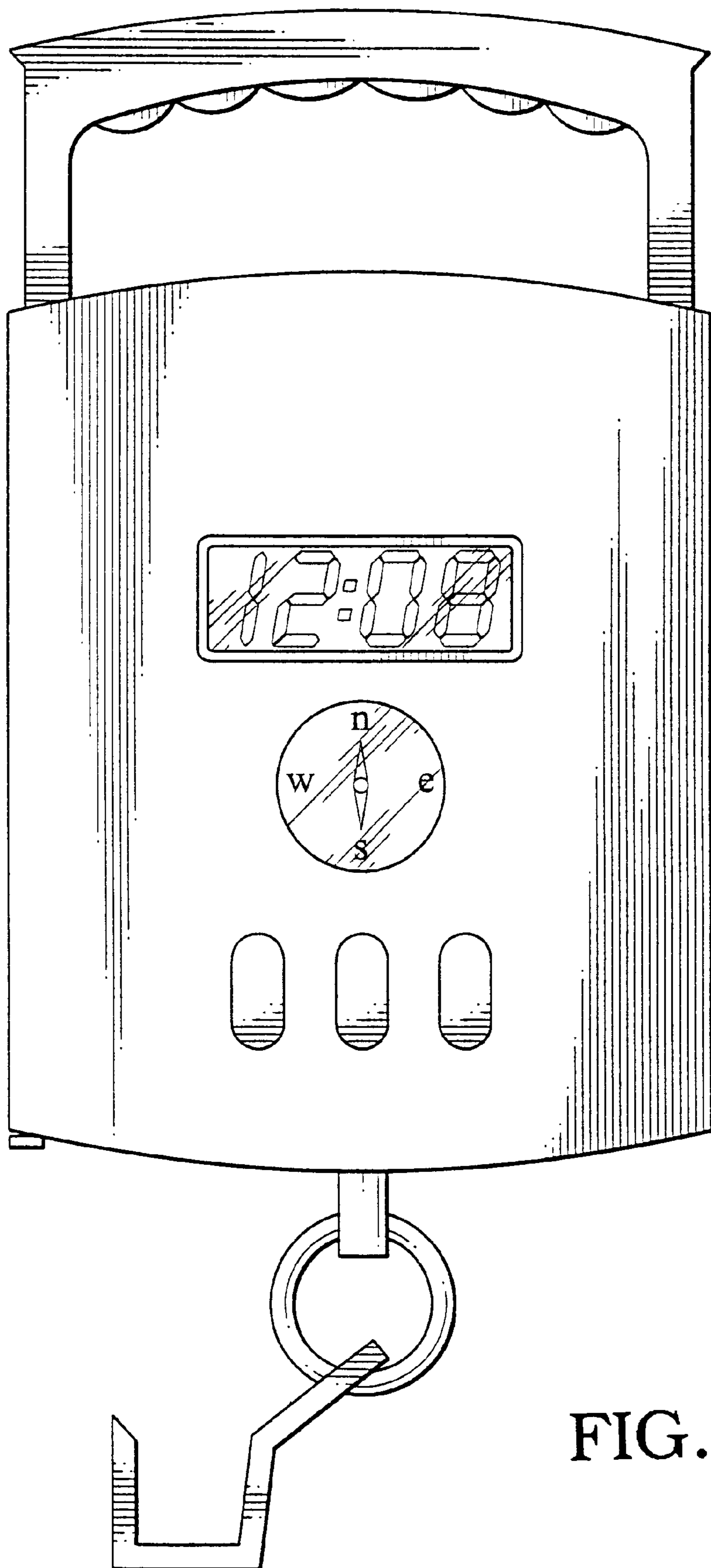


FIG. 13