



US00D458851S

(12) **United States Design Patent**
Haquet

(10) **Patent No.:** **US D458,851 S**

(45) **Date of Patent:** **** Jun. 18, 2002**

(54) **WATCH CASE**

(75) **Inventor:** **Pierre Haquet, Paris (FR)**

(73) **Assignee:** **Chaumet International S.A., Paris (FR)**

(**) **Term:** **14 Years**

(21) **Appl. No.:** **29/141,650**

(22) **Filed:** **May 10, 2001**

(30) **Foreign Application Priority Data**

Nov. 20, 2000 (XH) DM/054 934

(51) **LOC (7) Cl.** **10-02**

(52) **U.S. Cl.** **D10/30**

(58) **Field of Search** D10/30-39, 122-132;
368/281-282, 276-277, 285

(56) **References Cited**

U.S. PATENT DOCUMENTS

D343,582 S * 1/1994 Maruyama D10/30

D368,433 S * 4/1996 Schulze D10/39
D386,984 S * 12/1997 Kubisch D10/39
D390,148 S * 2/1998 Brzezinski D10/30
D416,497 S * 11/1999 Zwicky D10/30

* cited by examiner

Primary Examiner—Nelson C. Holtje

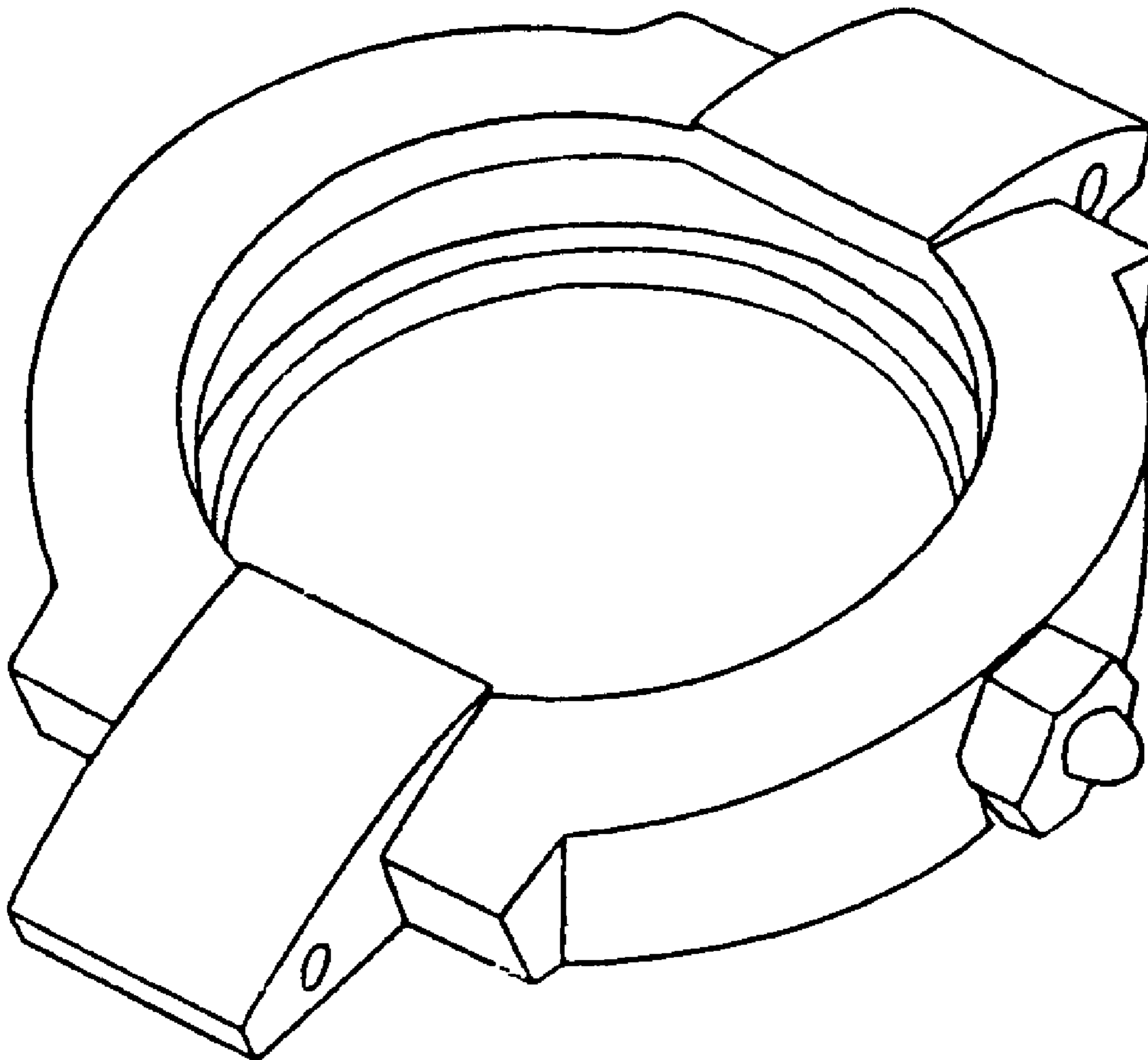
(57) **CLAIM**

I claim the ornamental design for the watch case, as shown and described.

DESCRIPTION

FIG. 1 is a right front perspective view of the new ornamental watch case of the present invention;
FIG. 2 is a front view thereof;
FIG. 3 is a back view thereof;
FIG. 4 is a left side view thereof;
FIG. 5 is a right side view thereof;
FIG. 6 is a bottom view thereof; and,
FIG. 7 is a top view thereof.

1 Claim, 4 Drawing Sheets



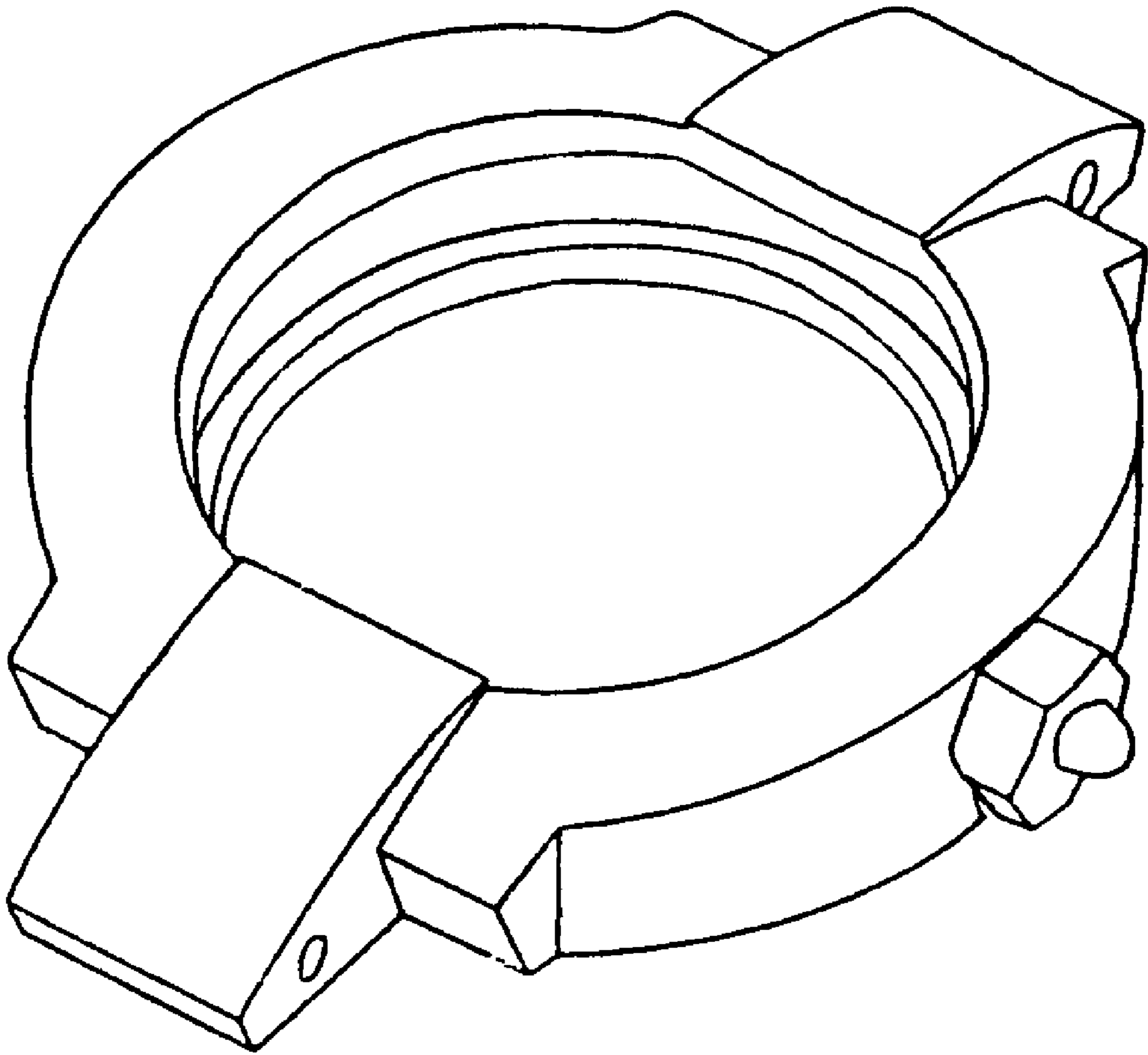


Fig. 1

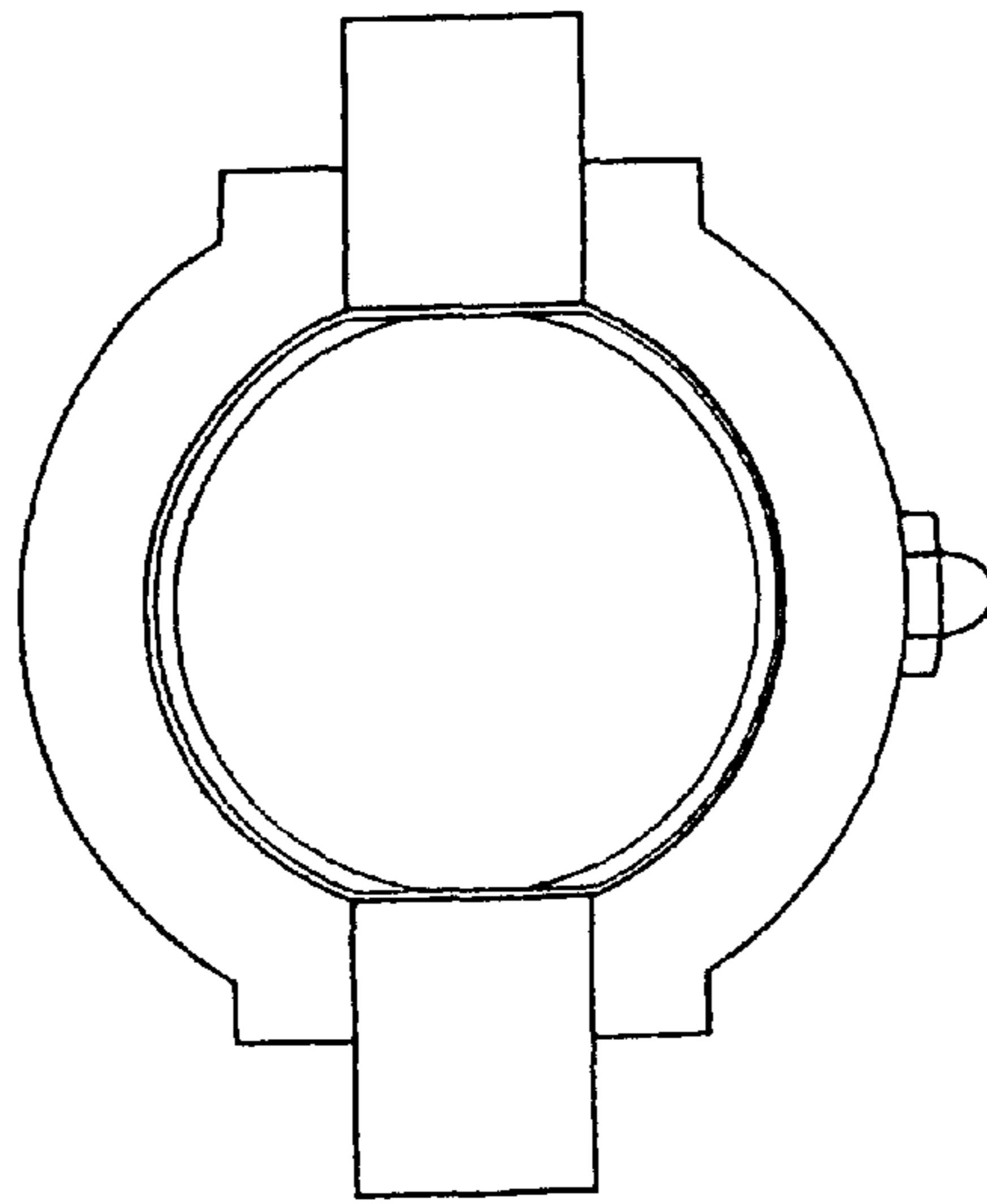


Fig. 2

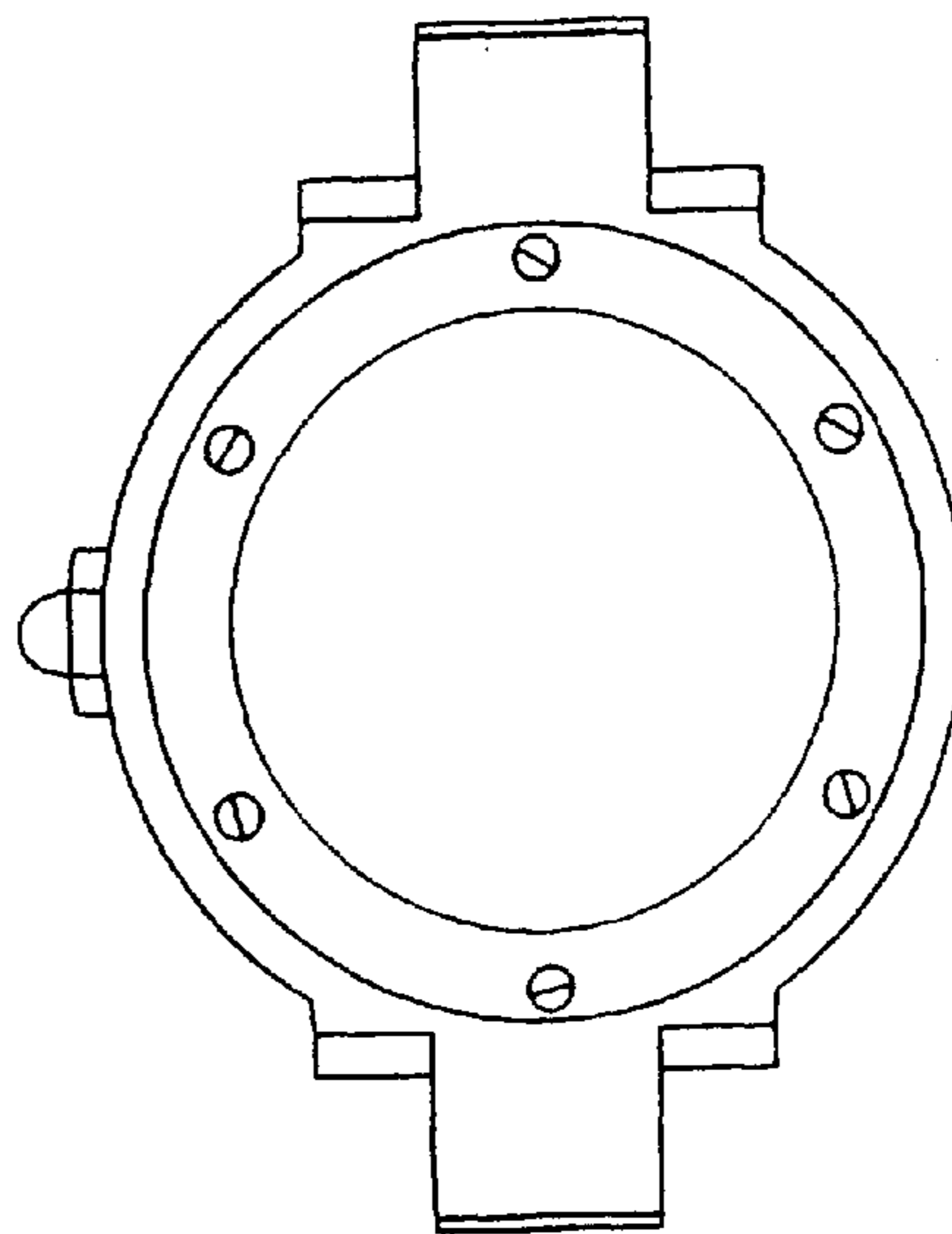


Fig. 3

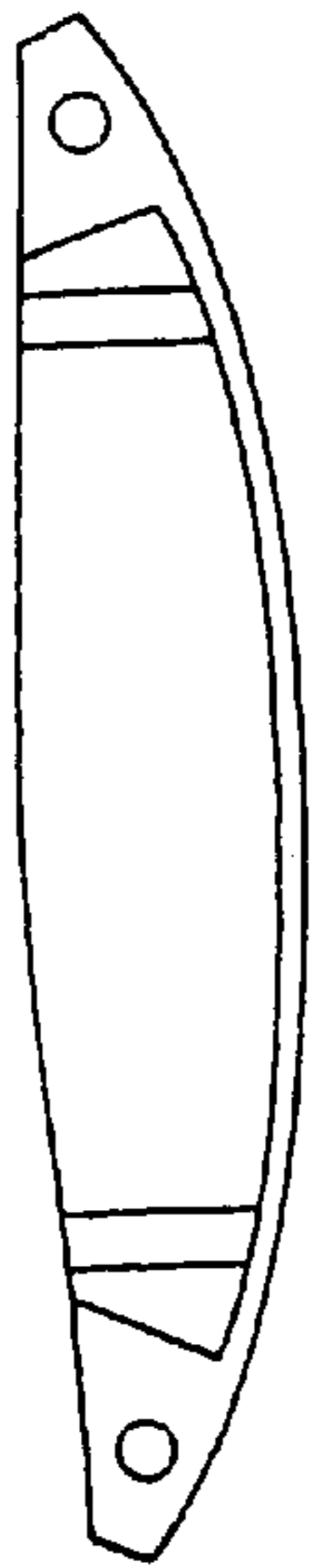


Fig. 4

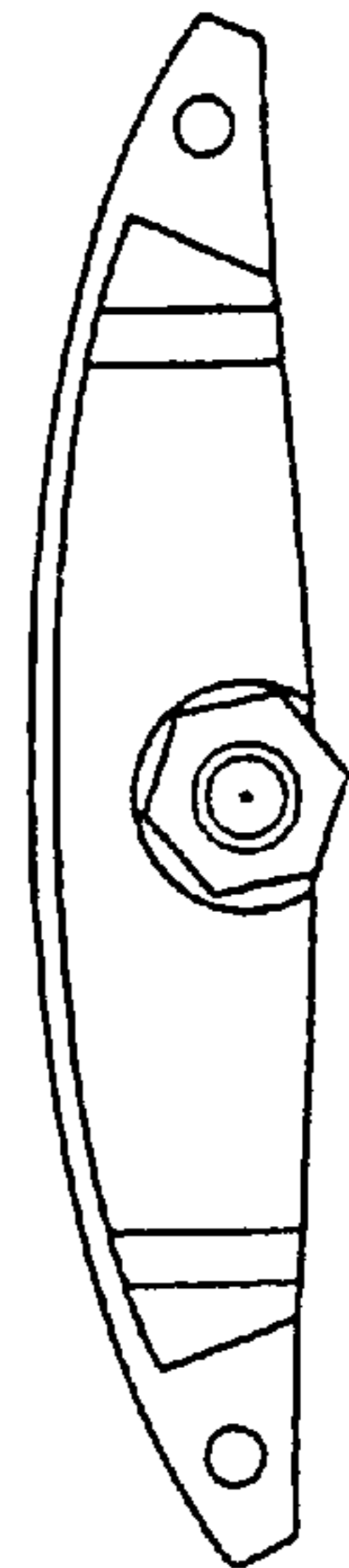


Fig. 5

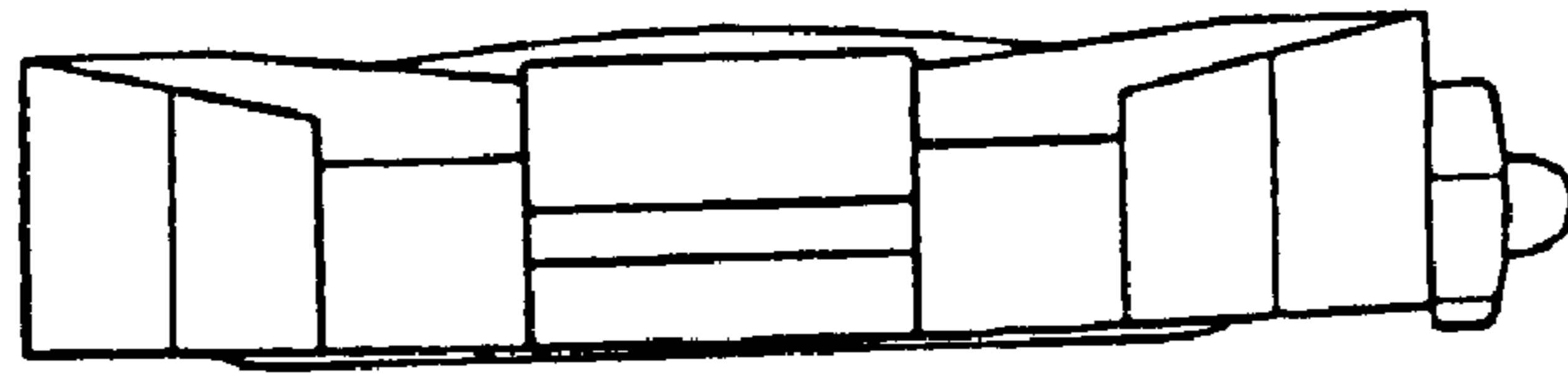


Fig. 6

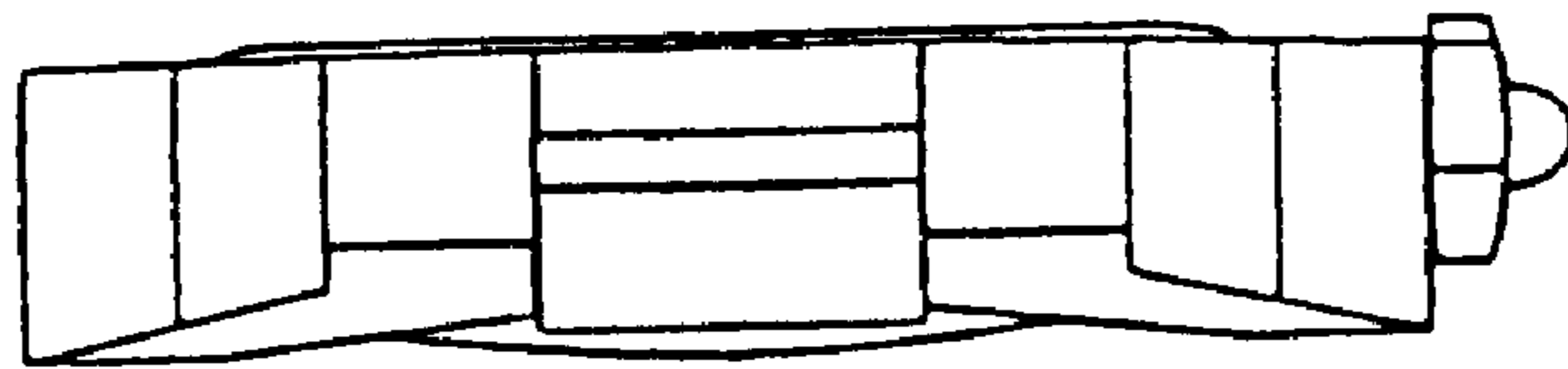


Fig. 7