



US00D458845S

(12) **United States Design Patent**
Keung

(10) **Patent No.:** **US D458,845 S**

(45) **Date of Patent:** **** Jun. 18, 2002**

- (54) **DISPENSING NOZZLE**
- (75) Inventor: **Wing-Kwong Keung**, Perrysburg, OH (US)
- (73) Assignee: **Owens-Illinois Closure Inc.**, Toledo, OH (US)
- (**) Term: **14 Years**

- 5,161,716 A * 11/1992 Knickerbocker 222/153.1
- 5,467,900 A * 11/1995 Maas et al. 222/341
- 5,626,259 A * 5/1997 Maas et al. 222/136
- 5,662,246 A 9/1997 Contaxis, III
- 5,664,732 A 9/1997 Smolen, Jr. et al.
- 5,687,877 A 11/1997 Smolen, Jr.
- 5,749,501 A * 5/1998 Maas et al. 222/384
- D418,755 S * 1/2000 Durliat D9/448
- D437,225 S * 2/2001 Keung D9/448
- 6,186,366 B1 * 2/2001 Good et al. 222/153.14

- (21) Appl. No.: **29/147,278**
- (22) Filed: **Aug. 27, 2001**

FOREIGN PATENT DOCUMENTS

GB 2171615 9/1986

* cited by examiner

Primary Examiner—Cathron C. Brooks

Related U.S. Application Data

- (62) Division of application No. 29/089,011, filed on Jun. 5, 1998, now Pat. No. Des. 449,988.
- (51) **LOC (7) Cl.** **09-07**
- (52) **U.S. Cl.** **D9/447; D9/448**
- (58) **Field of Search** D9/434, 447, 448, D9/449, 300; 222/153.1, 153.11, 153.12, 153.13, 153.14, 383.1, 383.2, 383.3, 384, 385

(57) **CLAIM**

The ornamental design for a dispensing nozzle, as shown and described.

(56) **References Cited**

U.S. PATENT DOCUMENTS

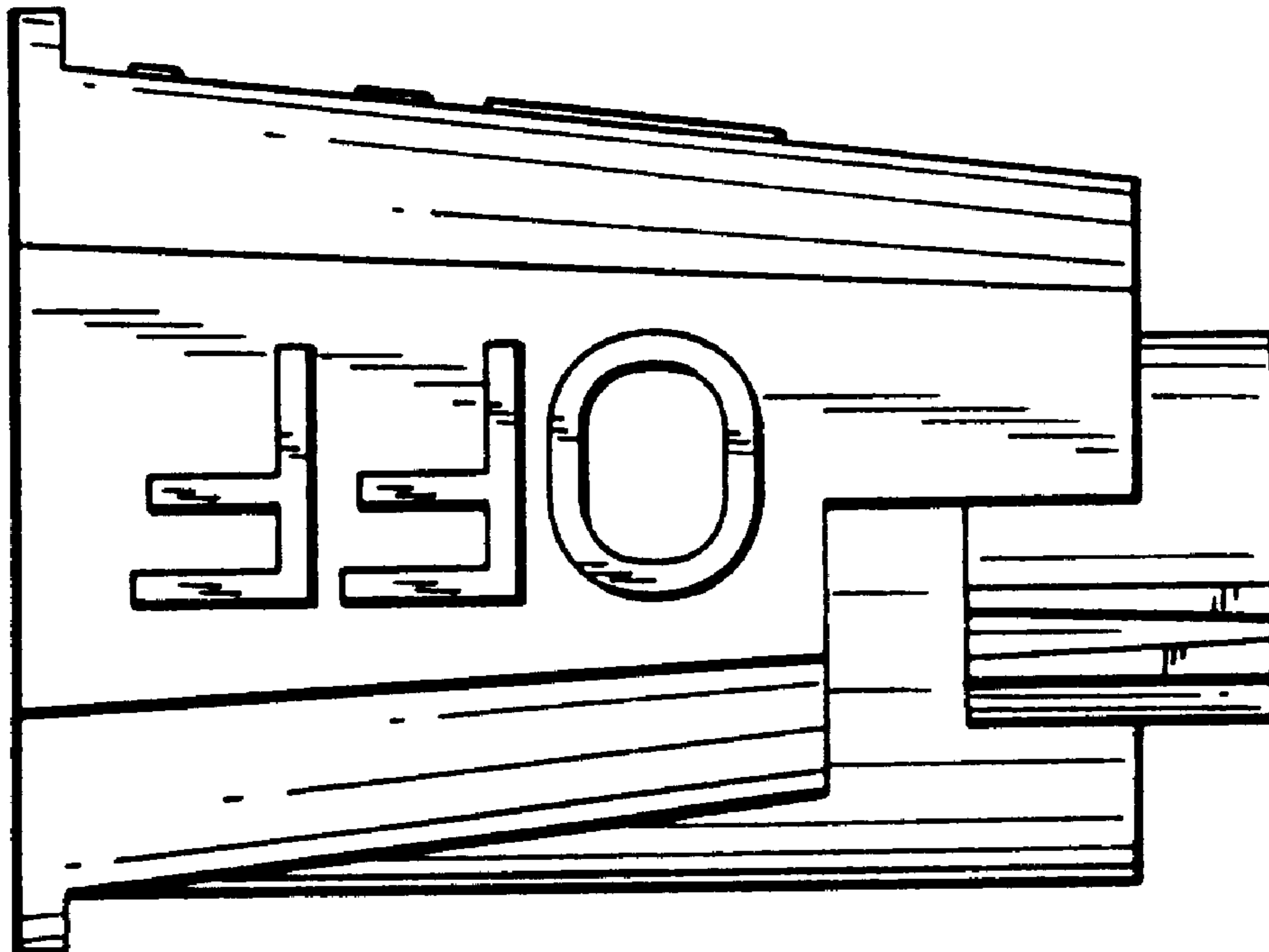
- 3,843,030 A * 10/1974 Micallef 222/554
- 4,082,223 A 4/1978 Nozawa
- 4,257,561 A 3/1981 McKinney
- 4,598,862 A 7/1986 Rice
- 4,767,060 A 8/1988 Shay et al.
- 4,768,717 A 9/1988 Shay

DESCRIPTION

FIG. 1 is a left side elevation showing my new design; FIG. 2 is a top plan view; FIG. 3 is a front elevational view; FIG. 4 is a rear elevational view; FIG. 5 is a right side elevational view; and, FIG. 6 is a bottom plan view.

The broken line showing of internal nozzle elements is for illustrative purposes only and forms no part of the claimed design.

1 Claim, 3 Drawing Sheets



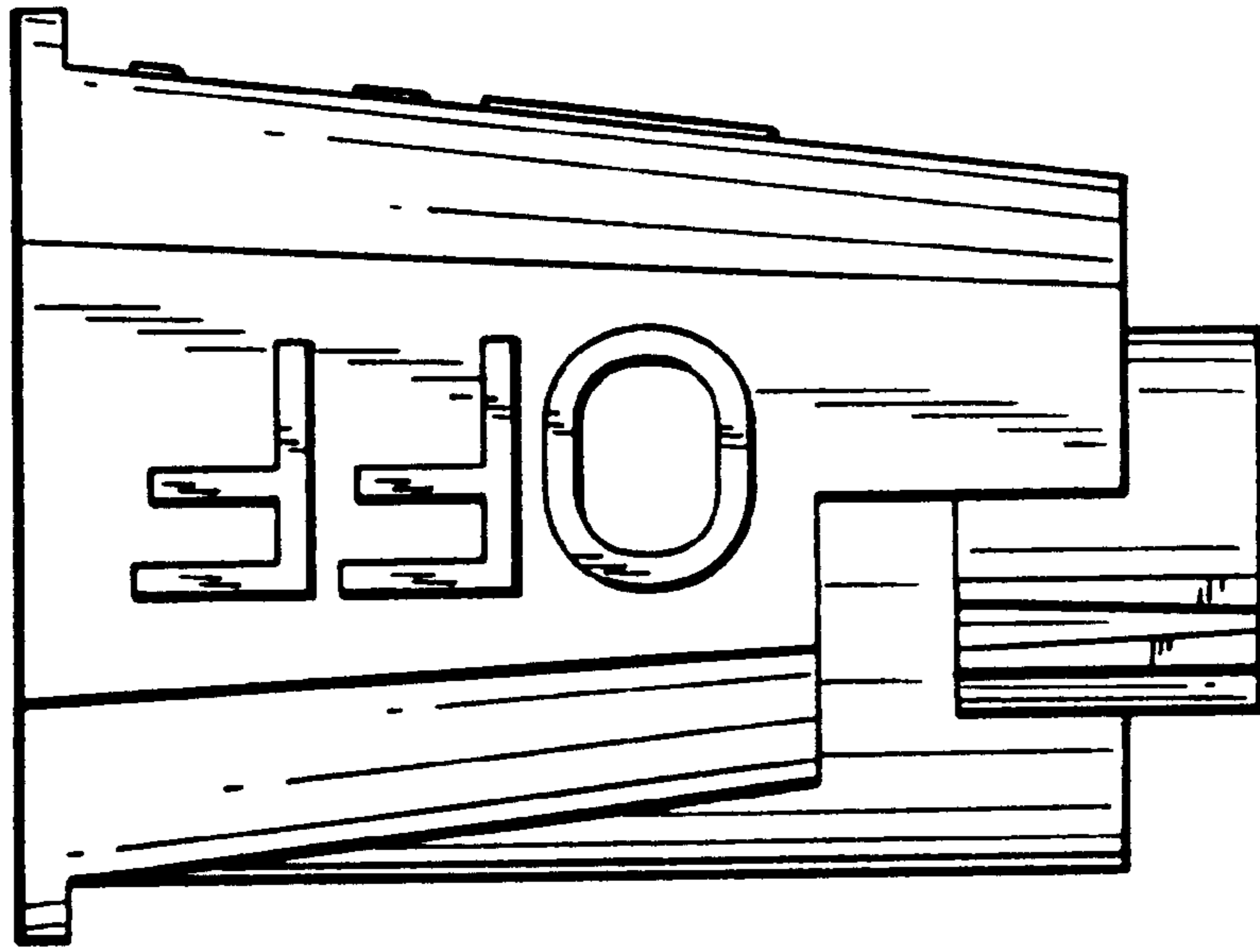


FIG. 1

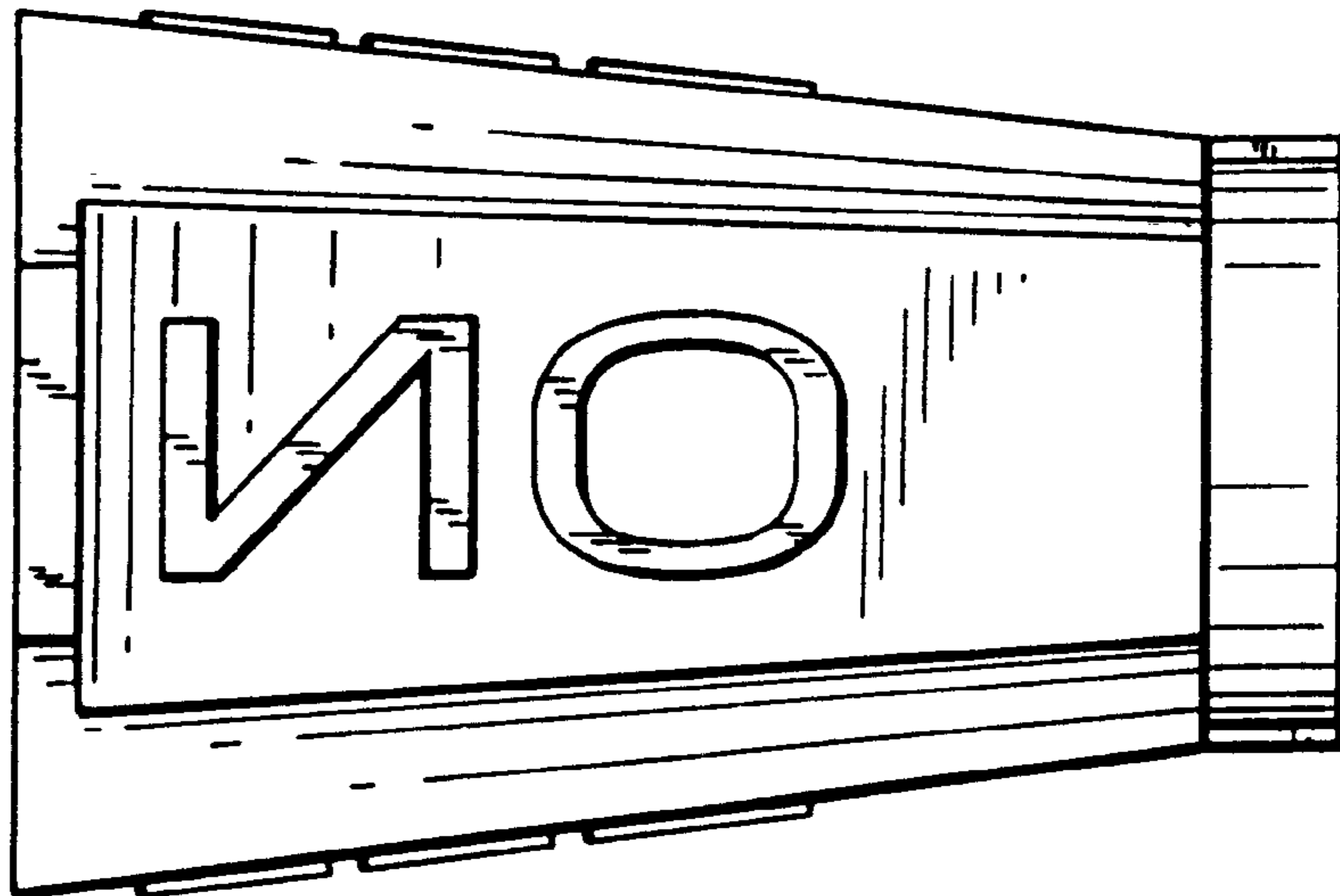


FIG. 2

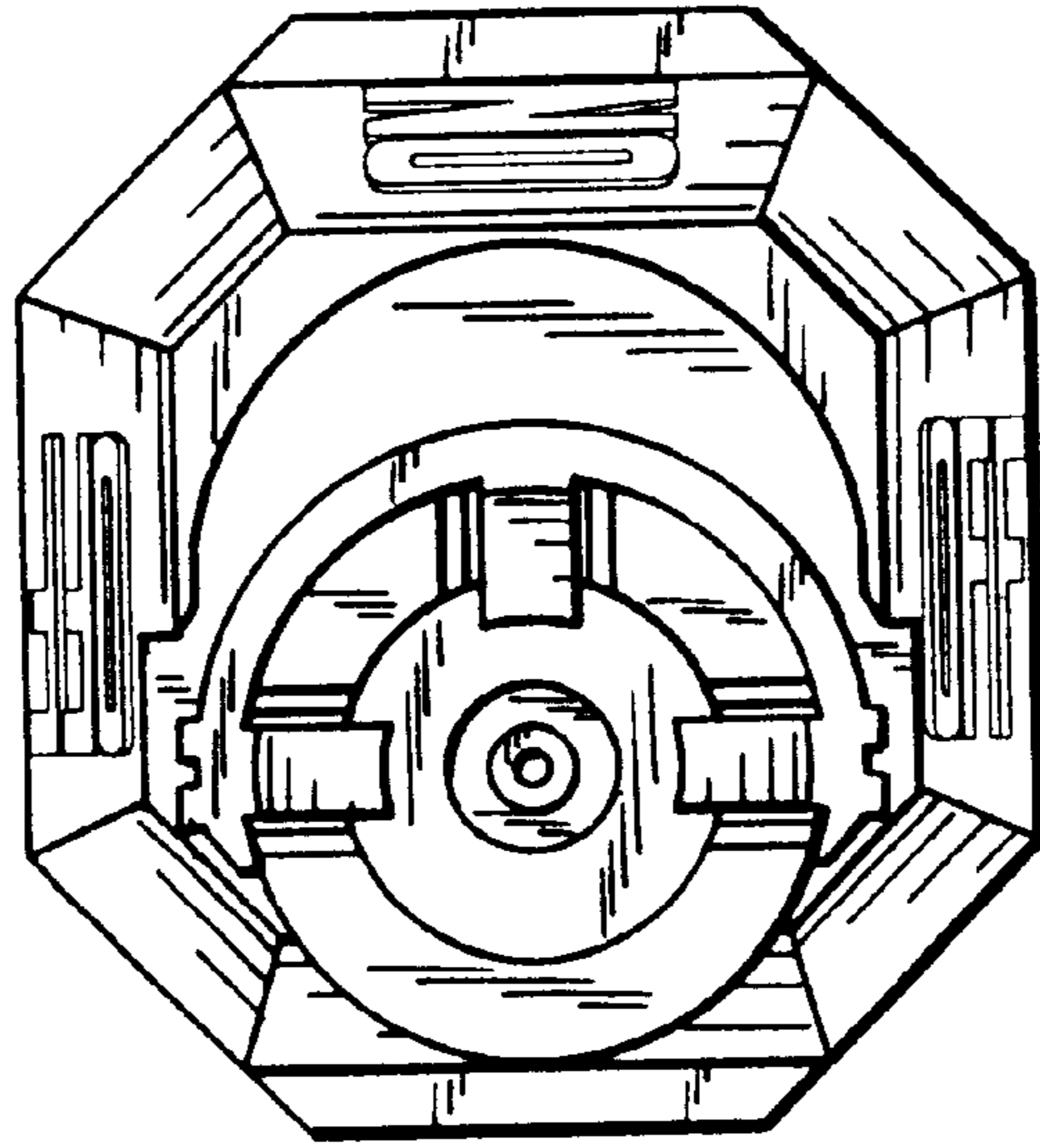


FIG. 3

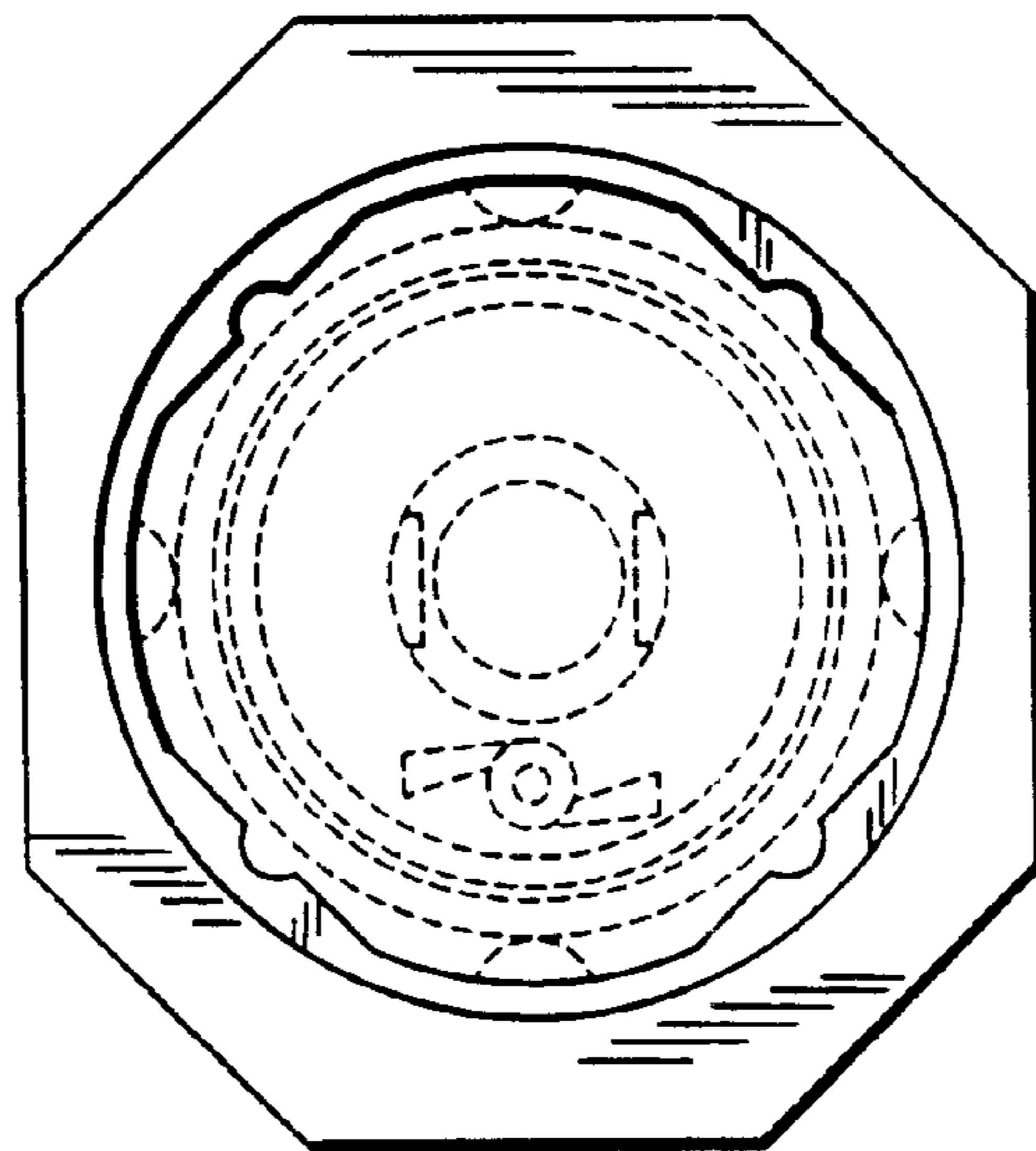


FIG. 4

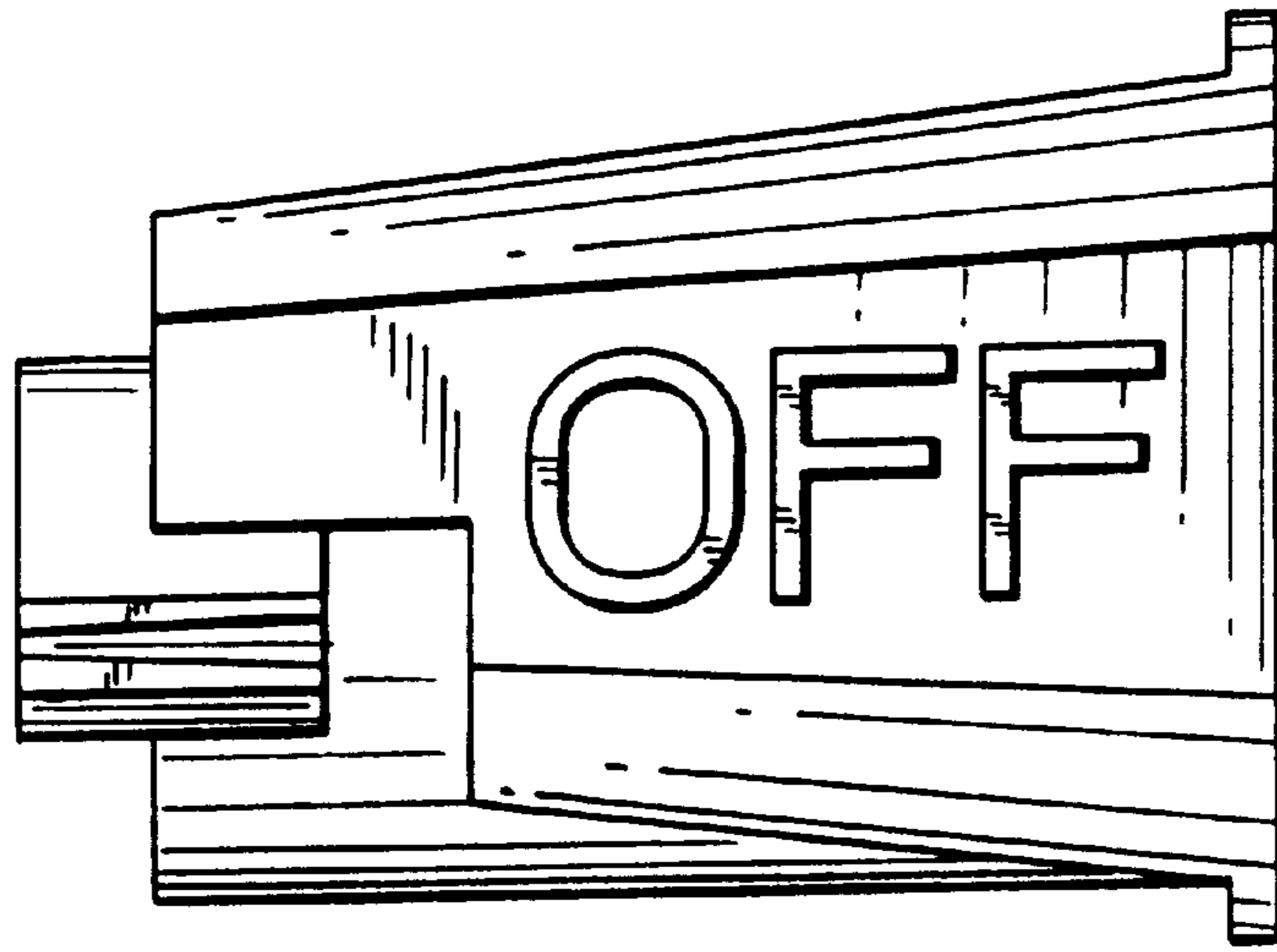


FIG. 5

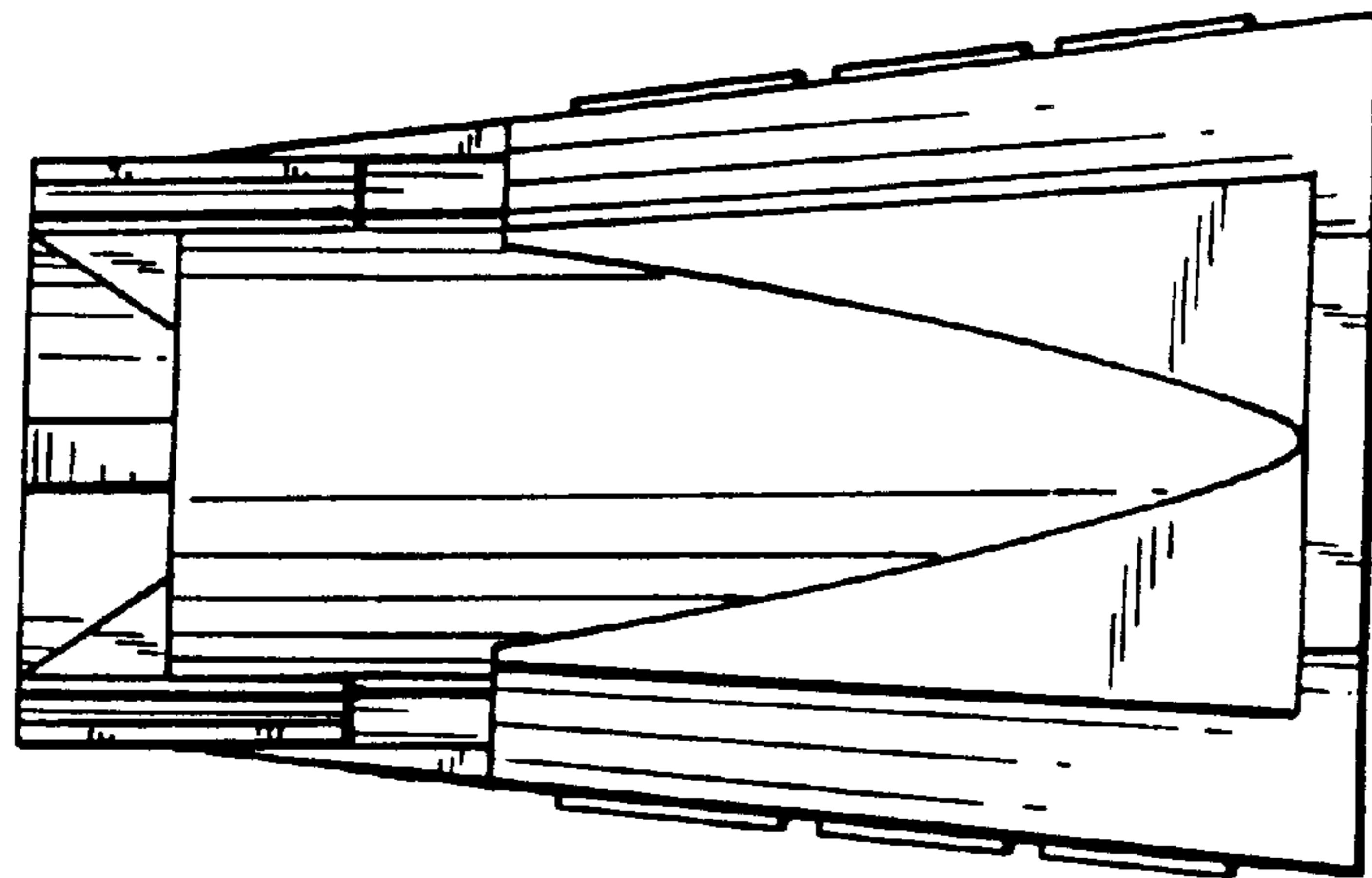


FIG. 6