

US00D458843S

(12) **United States Design Patent**
Jensen

(10) **Patent No.:** **US D458,843 S**

(45) **Date of Patent:** **** Jun. 18, 2002**

- (54) **FERMENTATION BUNG WITH VENTILATION APERTURES**
- (75) Inventor: **Phil Jensen**, Pahrump, NV (US)
- (73) Assignee: **Matz Rubber Co., Inc.**, Burbank, CA (US)
- (**) Term: **14 Years**

4,889,251 A	12/1989	Hojnoski	215/296
5,086,675 A	2/1992	Leung et al.	81/3.29
5,109,997 A	5/1992	Phillips	215/360
5,636,757 A	6/1997	Porvaznik	215/364
5,722,548 A	3/1998	Hojnoski	215/299
5,779,085 A	7/1998	Havlinek et al.	220/234
D407,016 S	* 3/1999	Nastasia	D9/439
D420,589 S	2/2000	Baxter	D9/439
6,170,684 B1	1/2001	Vincent et al.	215/364
6,183,982 B1	* 2/2001	Nastasia	217/110

- (21) Appl. No.: **29/141,124**
- (22) Filed: **Apr. 27, 2001**

Related U.S. Application Data

- (63) Continuation-in-part of application No. 29/114,348, filed on Nov. 19, 1999, now Pat. No. Des. 443,511.
- (51) **LOC (7) Cl.** **09-07**
- (52) **U.S. Cl.** **D9/440**
- (58) **Field of Search** D9/439, 440, 435, D9/447; D39/34; 222/544, 563, 545; 215/248, 261, 355, 364; 217/98, 106, 110, 114

(56) **References Cited**

U.S. PATENT DOCUMENTS

2,946,491 A	7/1960	Bramming	222/545
4,496,065 A	1/1985	Nagy	215/207
4,572,390 A	* 2/1986	Grittmann	217/98
4,800,156 A	1/1989	Yuhda	435/296
4,826,029 A	* 5/1989	Skoglie	217/110

* cited by examiner

Primary Examiner—Dominic Simone
(74) *Attorney, Agent, or Firm*—Lyon & Lyon LLP

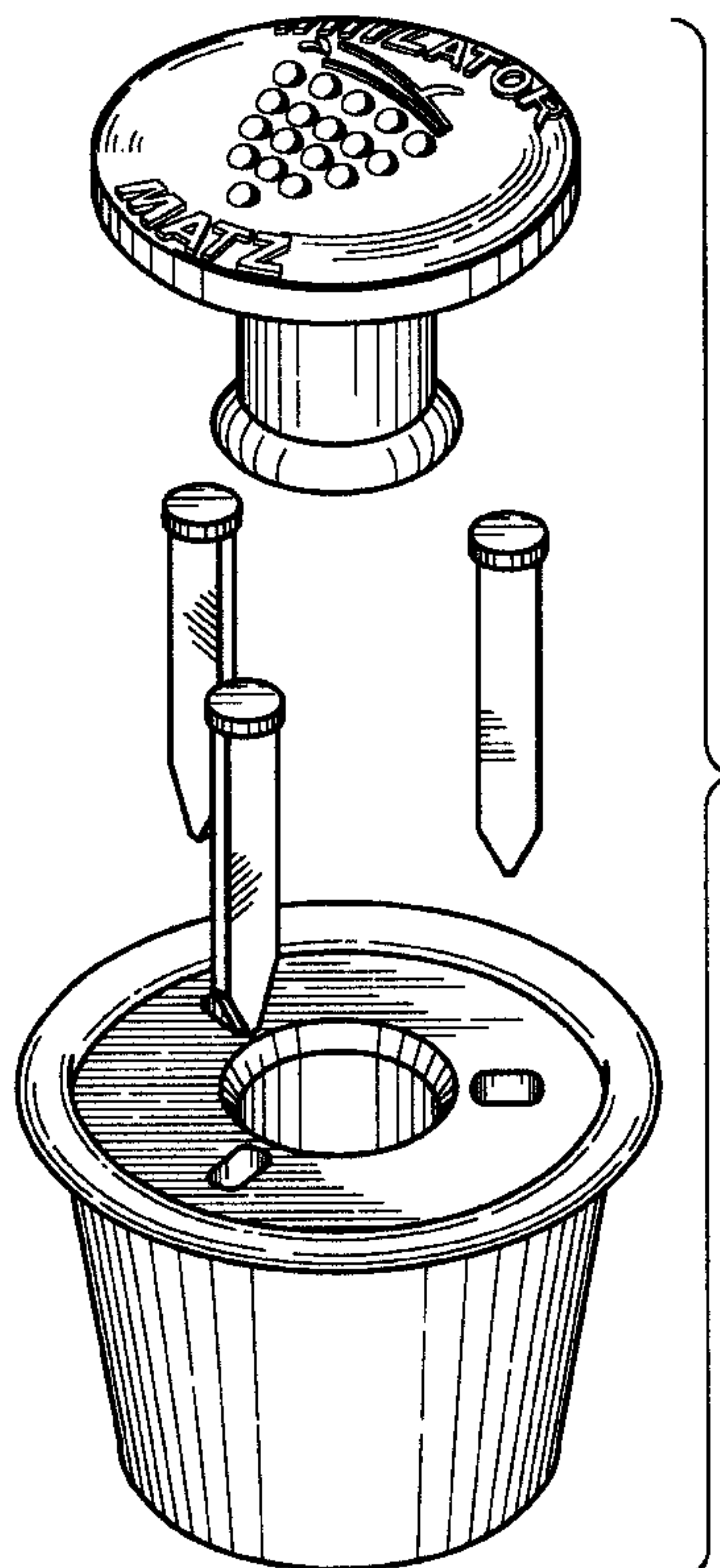
(57) **CLAIM**

The ornamental design for a fermentation bung with ventilation apertures, as shown and described.

DESCRIPTION

FIG. 1 is a bottom and side perspective view of a fermentation bung showing my new design;
 FIG. 2 is a top and side perspective view thereof;
 FIG. 3 is a side elevational view thereof, the opposite side being a mirror image thereof;
 FIG. 4 is a top plan view thereof;
 FIG. 5 is a bottom plan view thereof;
 FIG. 6 is a view taken about lines 6—6 of FIG. 3; and,
 FIG. 7 is a view taken along lines 7—7 of FIG. 3.

1 Claim, 2 Drawing Sheets



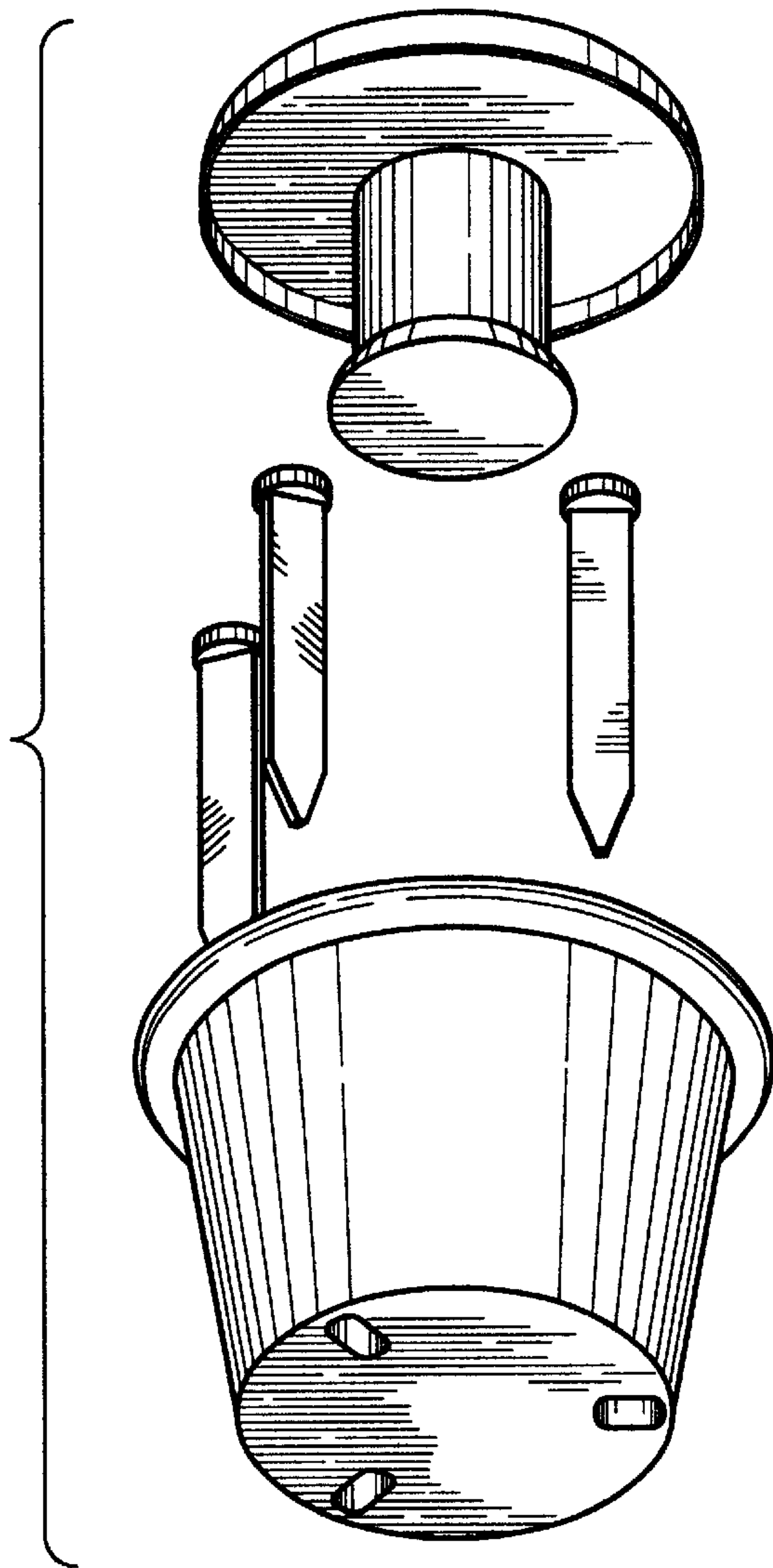


Fig. 1

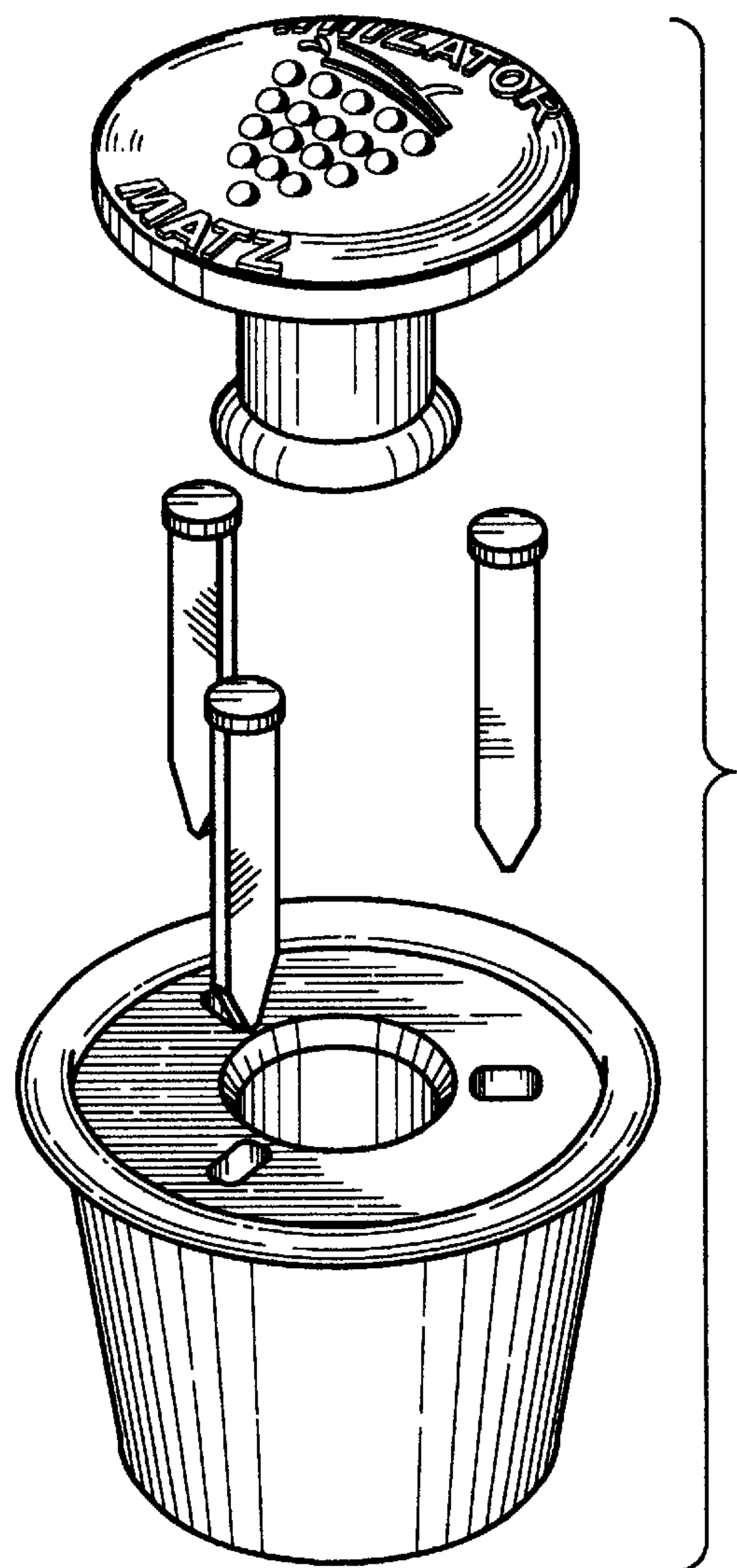


Fig. 2

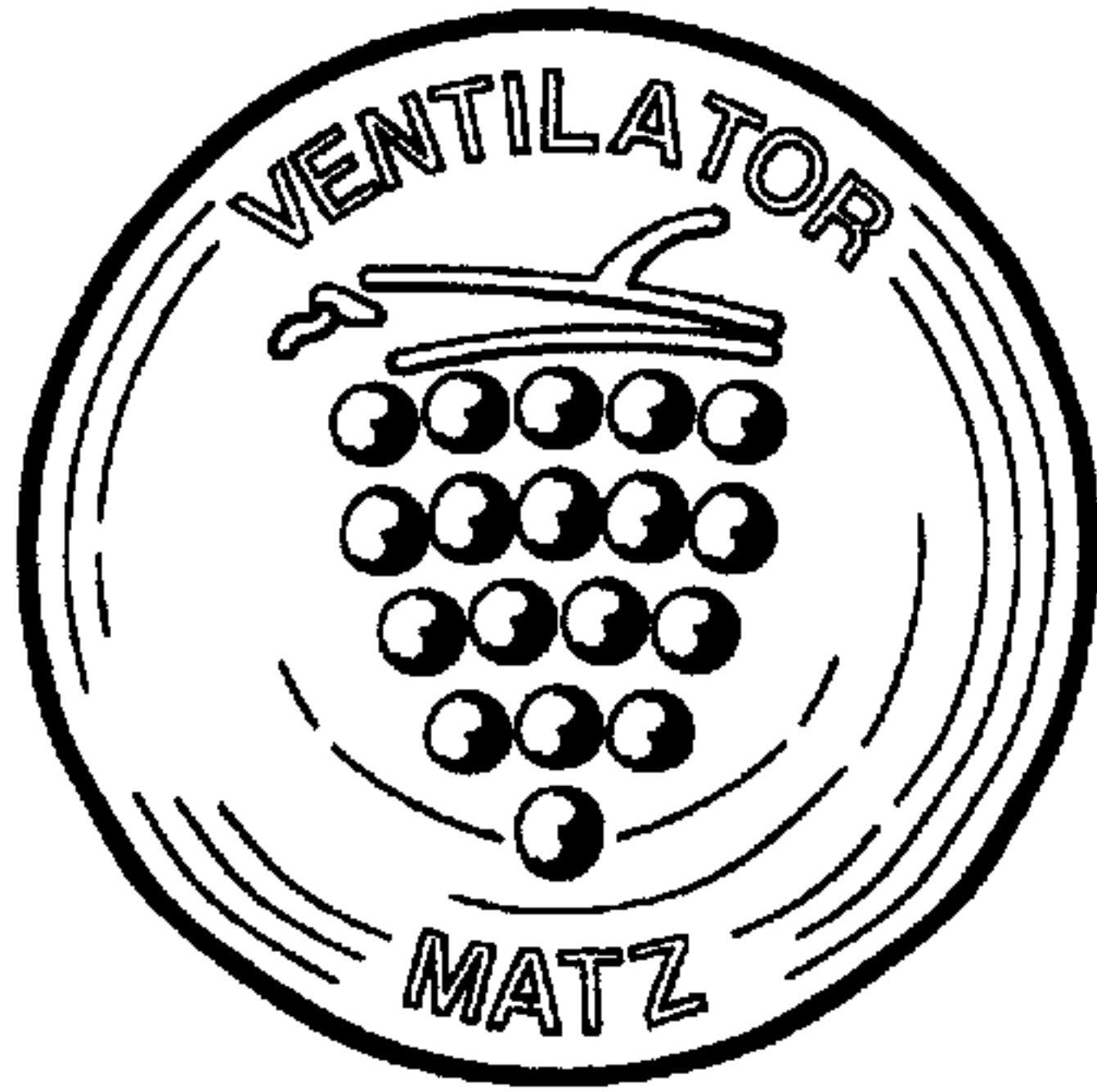


Fig. 4

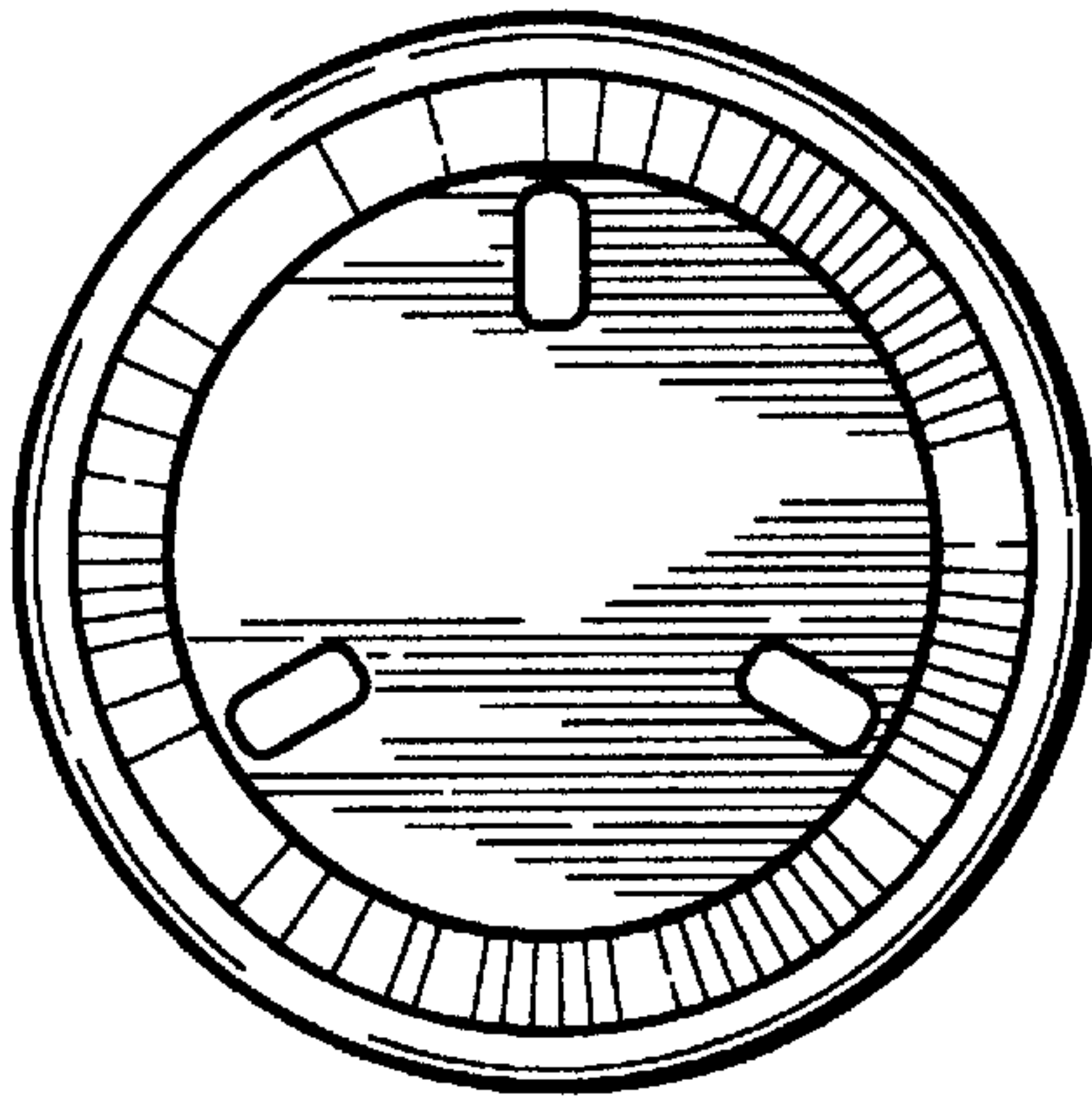


Fig. 5

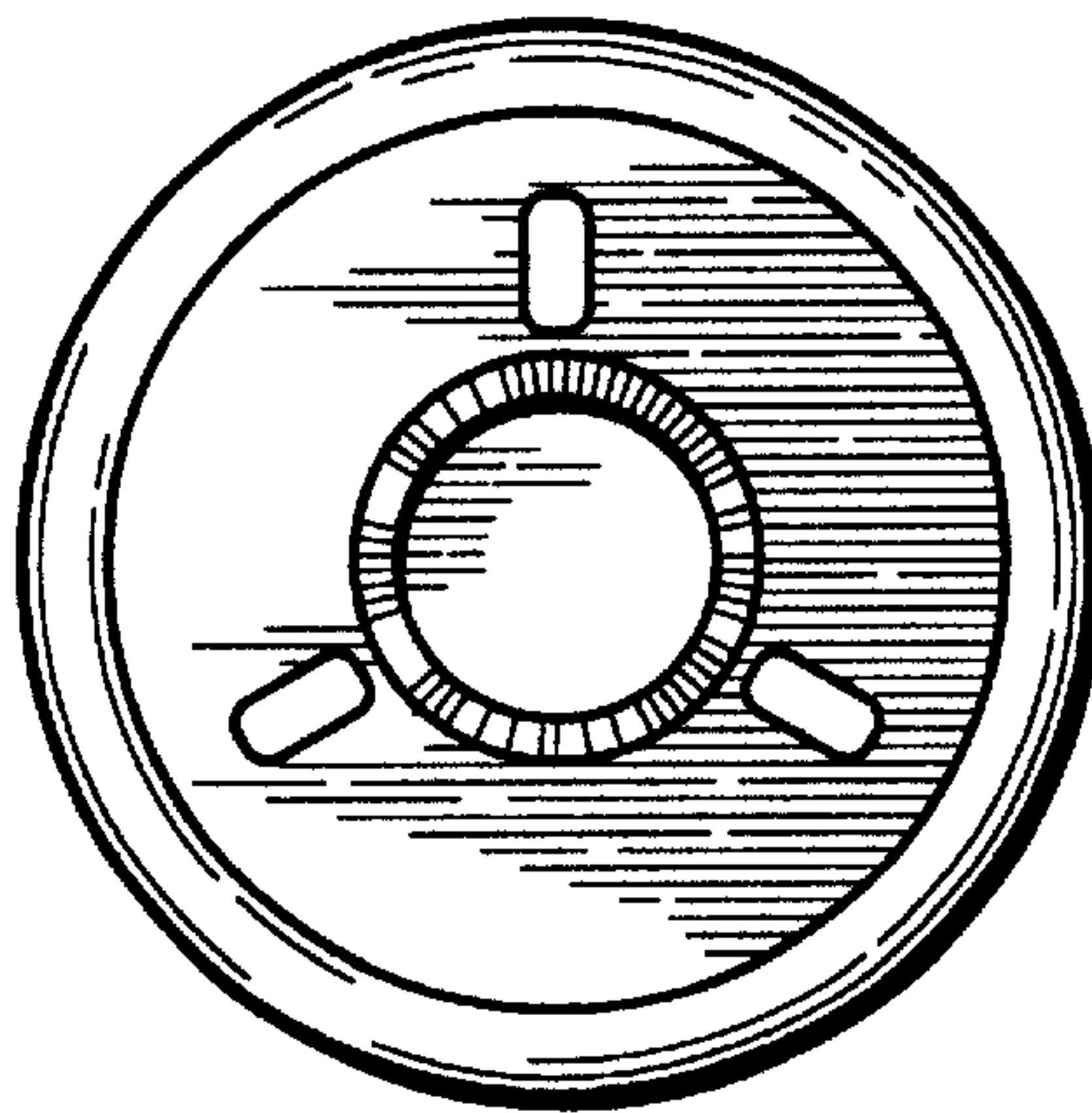


Fig. 7

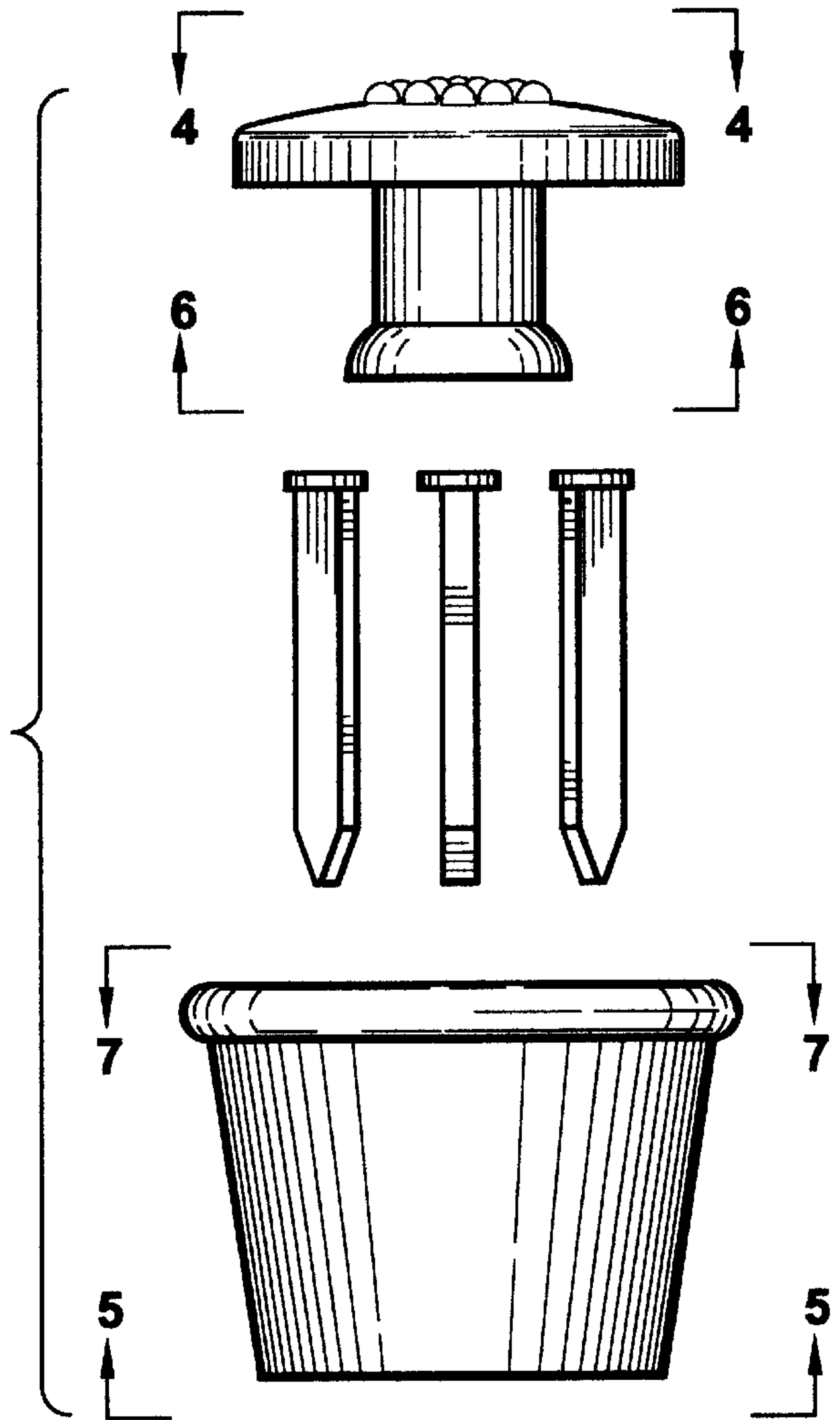


Fig. 3

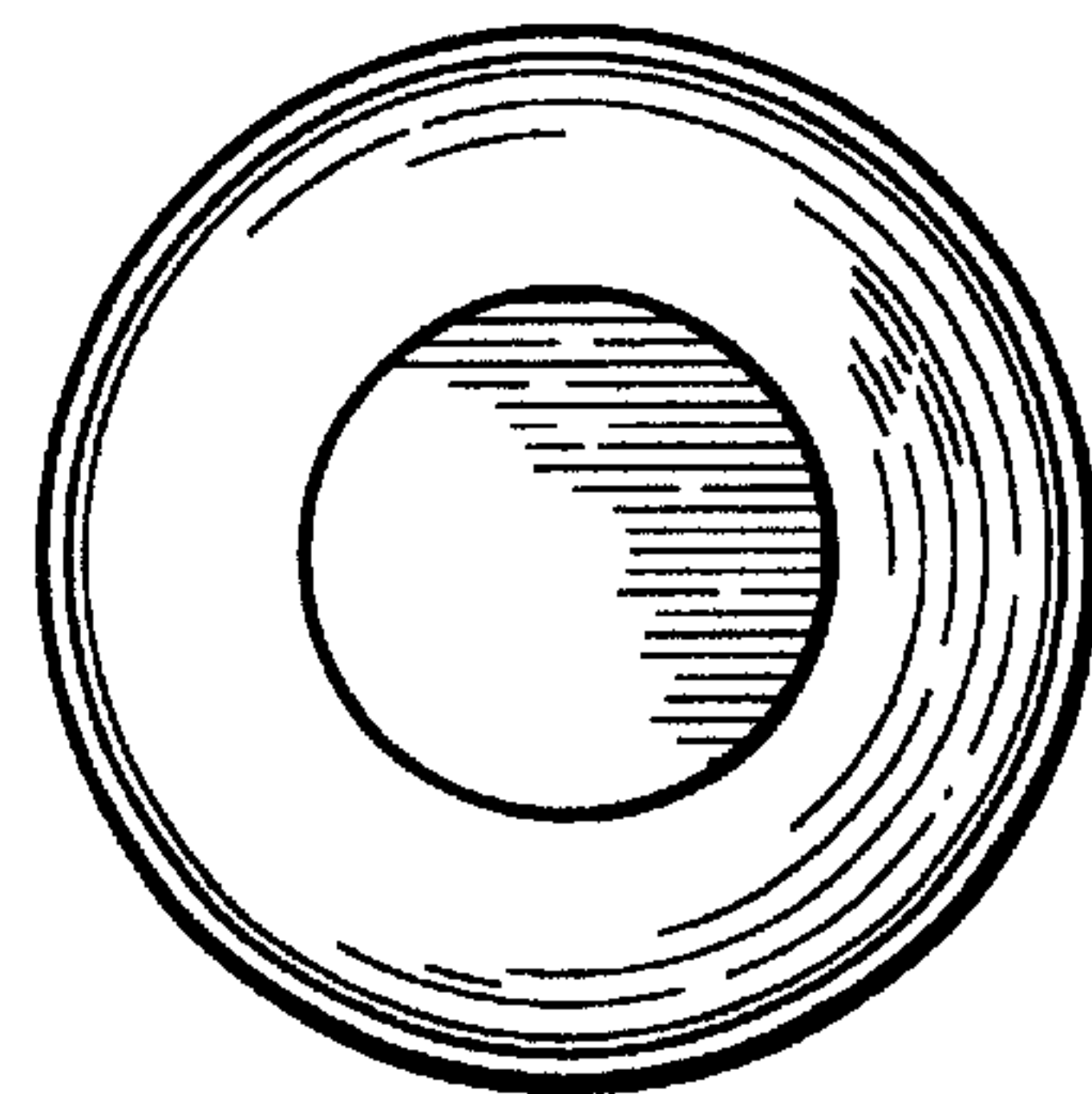


Fig. 6