



US00D458842S

(12) **United States Design Patent**
Humphrey

(10) **Patent No.:** **US D458,842 S**
(45) **Date of Patent:** **** Jun. 18, 2002**

(54) **PACKAGE DEVICE**
(75) Inventor: **Neill W. Humphrey**, El Dorado Hills,
CA (US)
(73) Assignee: **Trade Source International**, El Dorado
Hills, CA (US)
(**) Term: **14 Years**

4,415,084 A	11/1983	Hauser et al.	206/461
D309,262 S	7/1990	Coiner	D9/418
5,002,187 A	3/1991	Rysner et al.	206/461
D321,323 S	11/1991	Nakamura	D9/415
5,947,291 A	9/1999	Humphrey	206/463
6,163,991 A	* 12/2000	Drapcho et al.	40/124.09
D439,512 S	* 3/2001	Wootton	D9/415

* cited by examiner

(21) Appl. No.: **29/140,962**
(22) Filed: **Apr. 26, 2001**

Primary Examiner—Ted Shooman
Assistant Examiner—Daniel Bui
(74) *Attorney, Agent, or Firm*—Oppenheimer Wolff &
Donnelly

(51) **LOC (7) Cl.** **09-03**
(52) **U.S. Cl.** **D9/432**
(58) **Field of Search** D9/337, 346, 414,
D9/418, 420, 423, 430, 432, 433, 434,
455, 456, 499; 206/45.2, 68, 216, 223,
426, 477, 485, 486, 490, 494, 527, 595-600,
744, 751, 779-780, 783; 220/476, 578-579,
890; 229/103.2, 183, 800

(57) **CLAIM**

The ornamental design for a package device, as shown and
described.

(56) **References Cited**

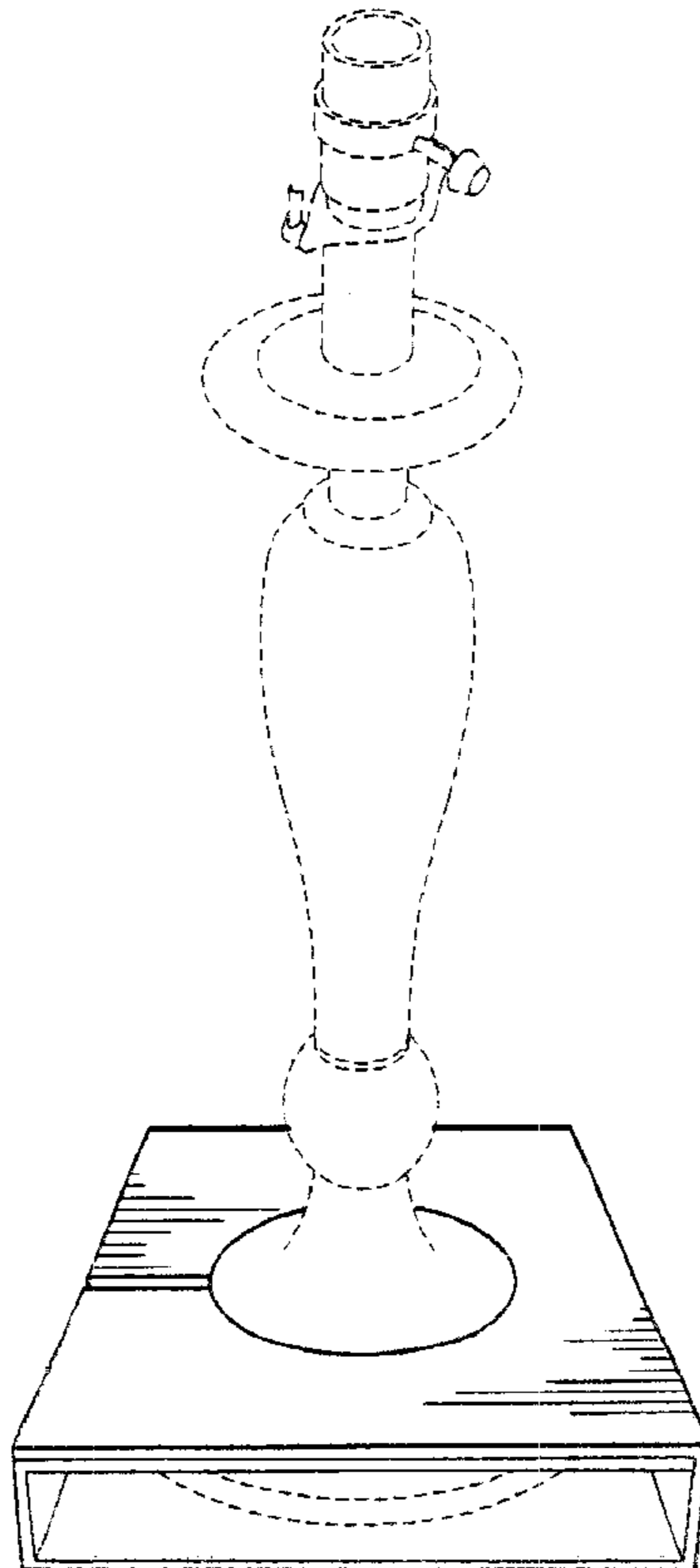
U.S. PATENT DOCUMENTS

3,064,402 A	11/1962	Crane, Jr.	53/38
3,297,289 A	* 1/1967	Raus	248/152
3,482,734 A	* 12/1969	Mierson	221/63
4,078,658 A	* 3/1978	Neiser	206/423
4,099,612 A	7/1978	Hanson	206/45.19
4,134,493 A	* 1/1979	Cech	206/45.19
4,204,598 A	* 5/1980	Adams	206/426

DESCRIPTION

FIG. 1 is a front perspective view of a package device
showing my new design;
FIG. 2 is a left side perspective view of the package device
of FIG. 1, the right side view being a mirror image thereof;
FIG. 3 is a top plan view of the package device in fully
unfolded position; and,
FIG. 4 is a left side perspective view of the package device,
showing the upper flap in an unfold position.
The broken line showing of the environment is for illustra-
tive purposes only and forms no part of the claimed design.

1 Claim, 2 Drawing Sheets



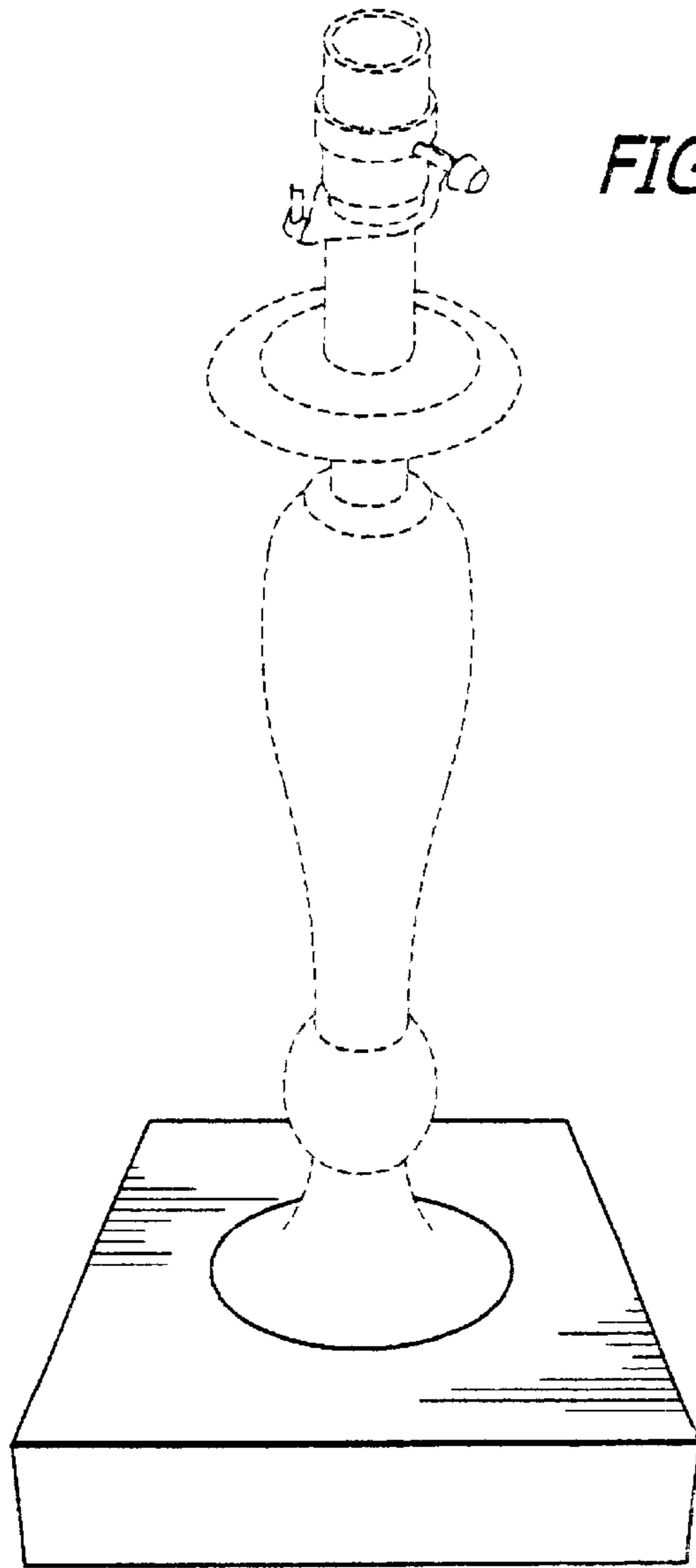


FIG. 1

FIG. 2

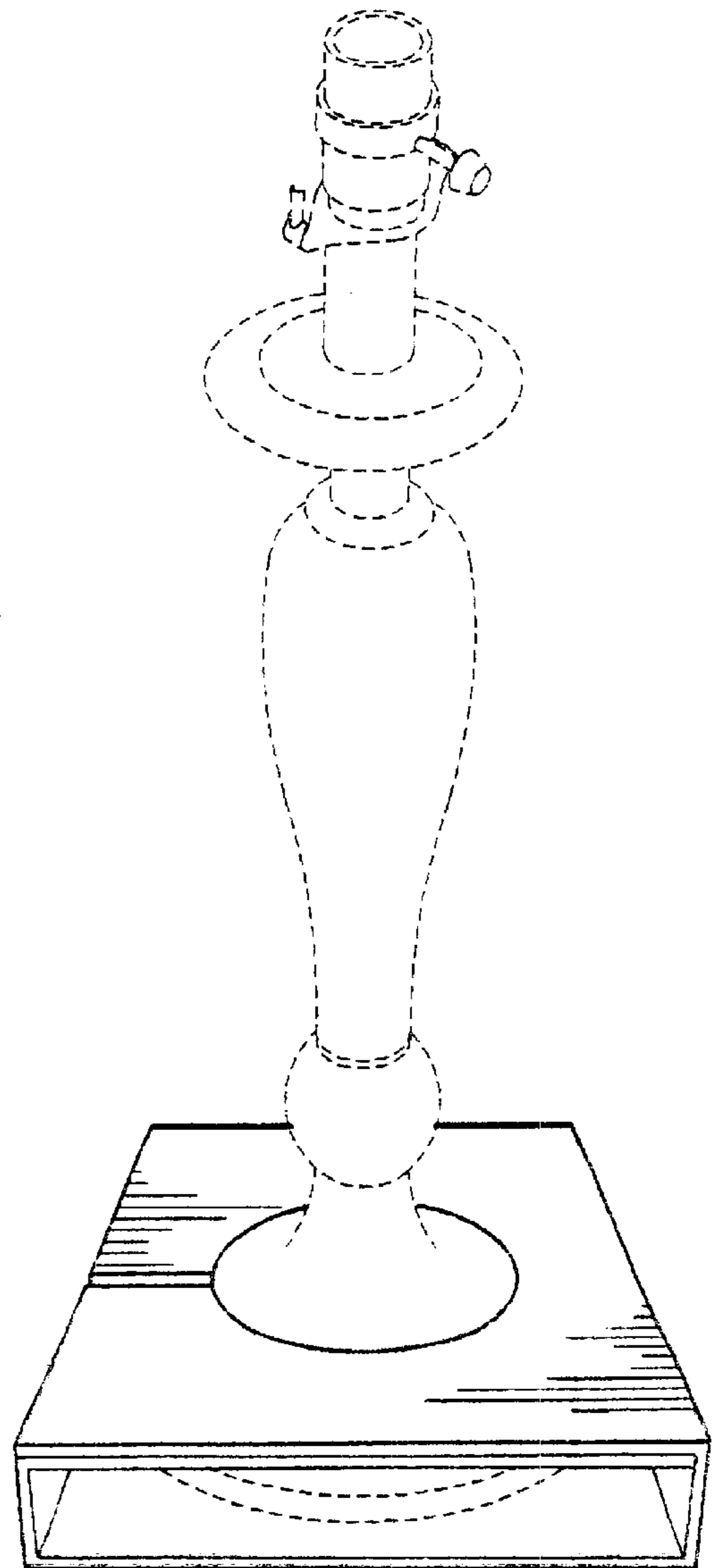


FIG. 3

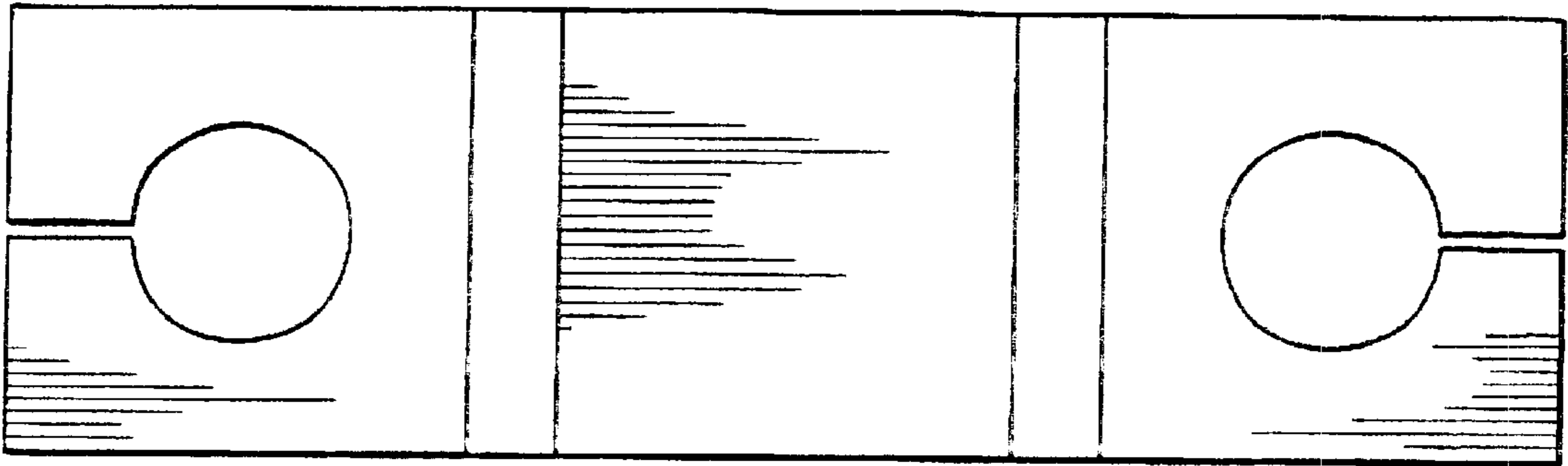


FIG. 4

