



US00D458840S

(12) **United States Design Patent**  
**Lai**

(10) **Patent No.:** **US D458,840 S**

(45) **Date of Patent:** **\*\* Jun. 18, 2002**

(54) **TOOL BOX**

(76) **Inventor:** **Ching-Hai Lai**, No. 16, Lane 63,  
Chang South Road Sec. 3, Changhua  
(TW)

(\*\*) **Term:** **14 Years**

(21) **Appl. No.:** **29/144,467**

(22) **Filed:** **Jul. 5, 2001**

(51) **LOC (7) Cl.** ..... **09-03**

(52) **U.S. Cl.** ..... **D9/418; D9/423**

(58) **Field of Search** ..... D9/415, 418, 423-425,  
D9/432, 414; D3/273-284, 905; 206/461-471,  
769, 770, 775-778, 230, 349, 372-379,  
508, 509, 822; 229/162; 220/836-839,  
602, 662

(56) **References Cited**

**U.S. PATENT DOCUMENTS**

- 5,271,552 A \* 12/1993 McDonnell ..... 229/162
- 5,341,926 A \* 8/1994 Laben ..... 206/509
- D370,781 S \* 6/1996 Vasudava ..... D9/284
- 5,543,114 A \* 8/1996 Dudek ..... 220/839

- D406,757 S \* 3/1999 Bean et al. .... D9/423
- 5,878,757 A \* 3/1999 Hernandez ..... 206/349
- 6,105,767 A \* 8/2000 Vasudava ..... 206/349
- D440,489 S \* 4/2001 Igami et al. .... D9/423
- D446,651 S \* 8/2001 Liao ..... D9/415

\* cited by examiner

*Primary Examiner*—Prabhakar Deshmukh

(74) *Attorney, Agent, or Firm*—Rabin & Berdo, P.C.

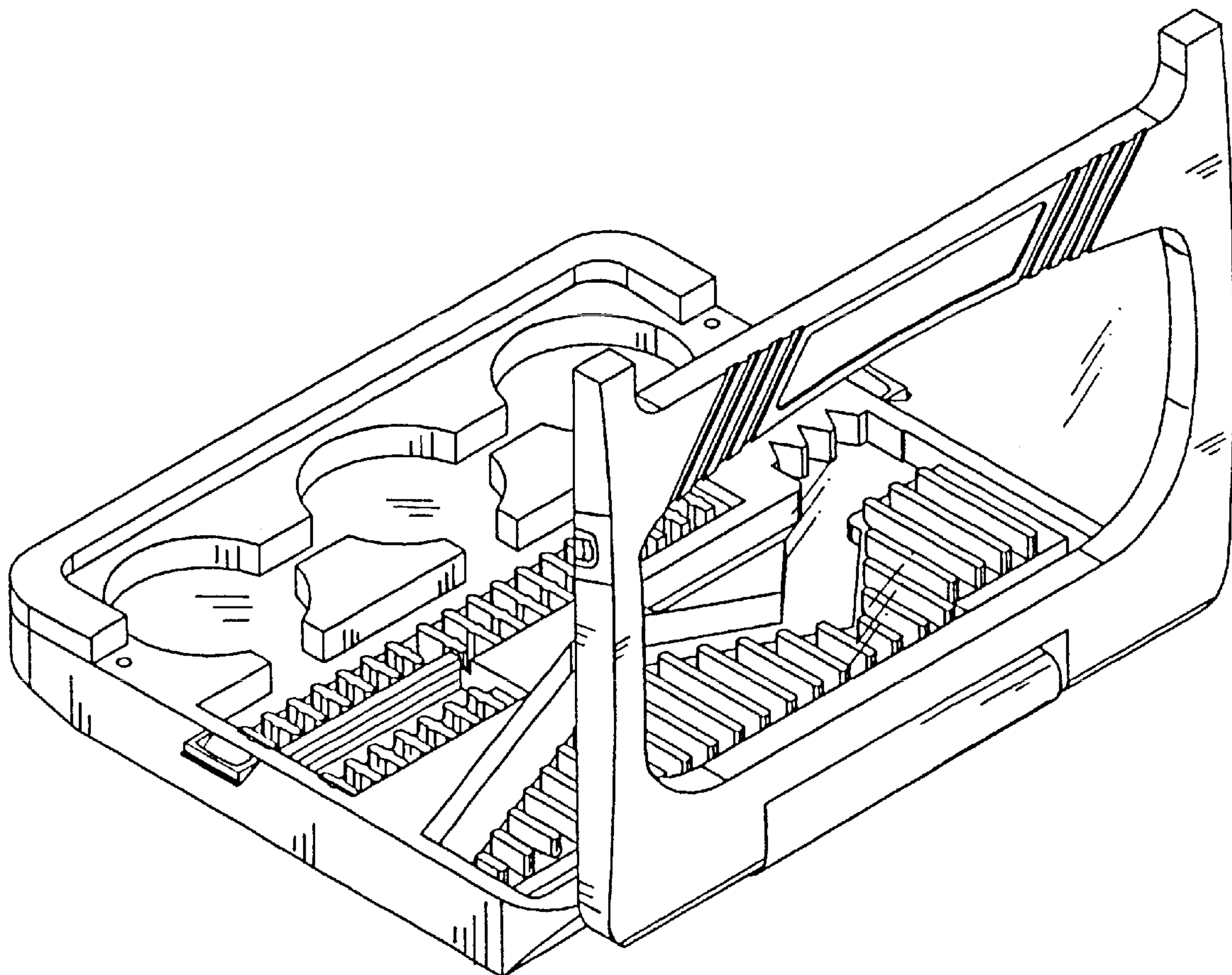
(57) **CLAIM**

The ornamental design for a tool box, as shown and described.

**DESCRIPTION**

FIG. 1 is a front view of a tool box showing my new design;  
 FIG. 2 is a rear view thereof;  
 FIG. 3 is a left side view thereof;  
 FIG. 4 is a right side view thereof;  
 FIG. 5 is a top view thereof;  
 FIG. 6 is a bottom view thereof;  
 FIG. 7 is a perspective view thereof; and,  
 FIG. 8 is a perspective view shown in an open position.

**1 Claim, 8 Drawing Sheets**



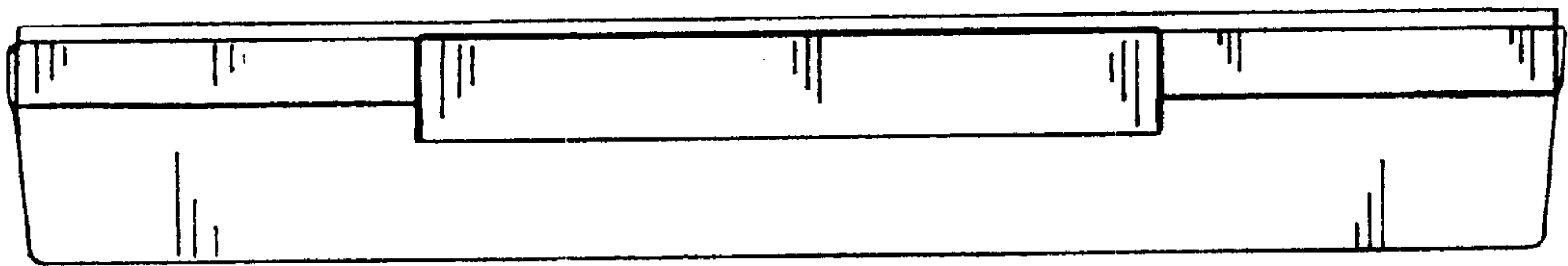


FIG. 1

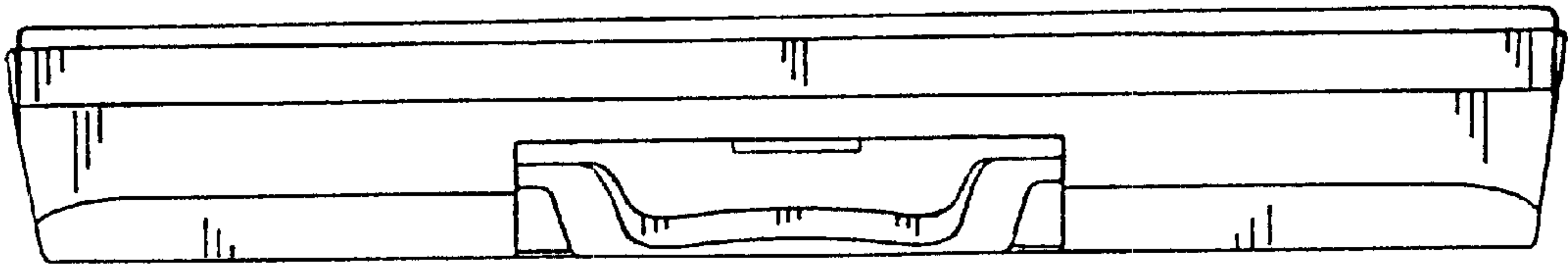


FIG. 2

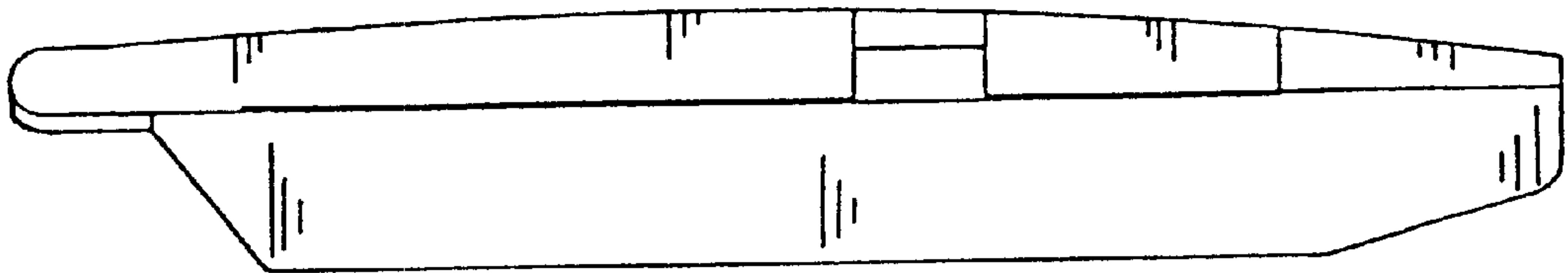


FIG. 3

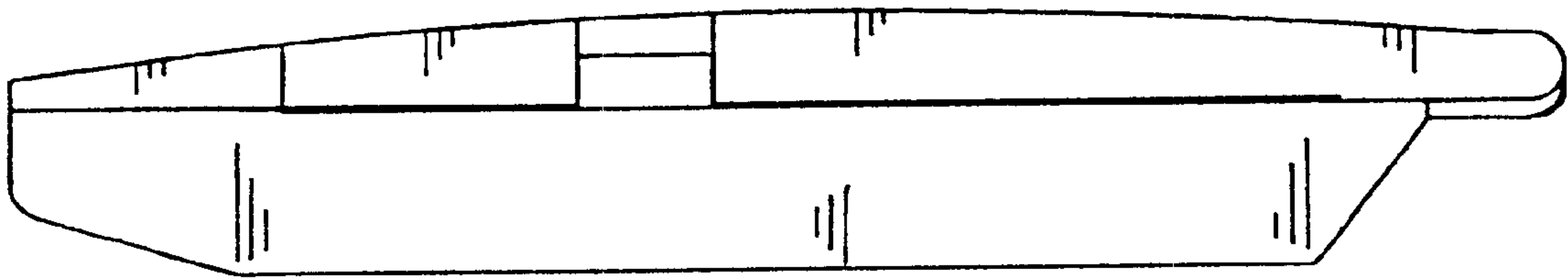


FIG. 4

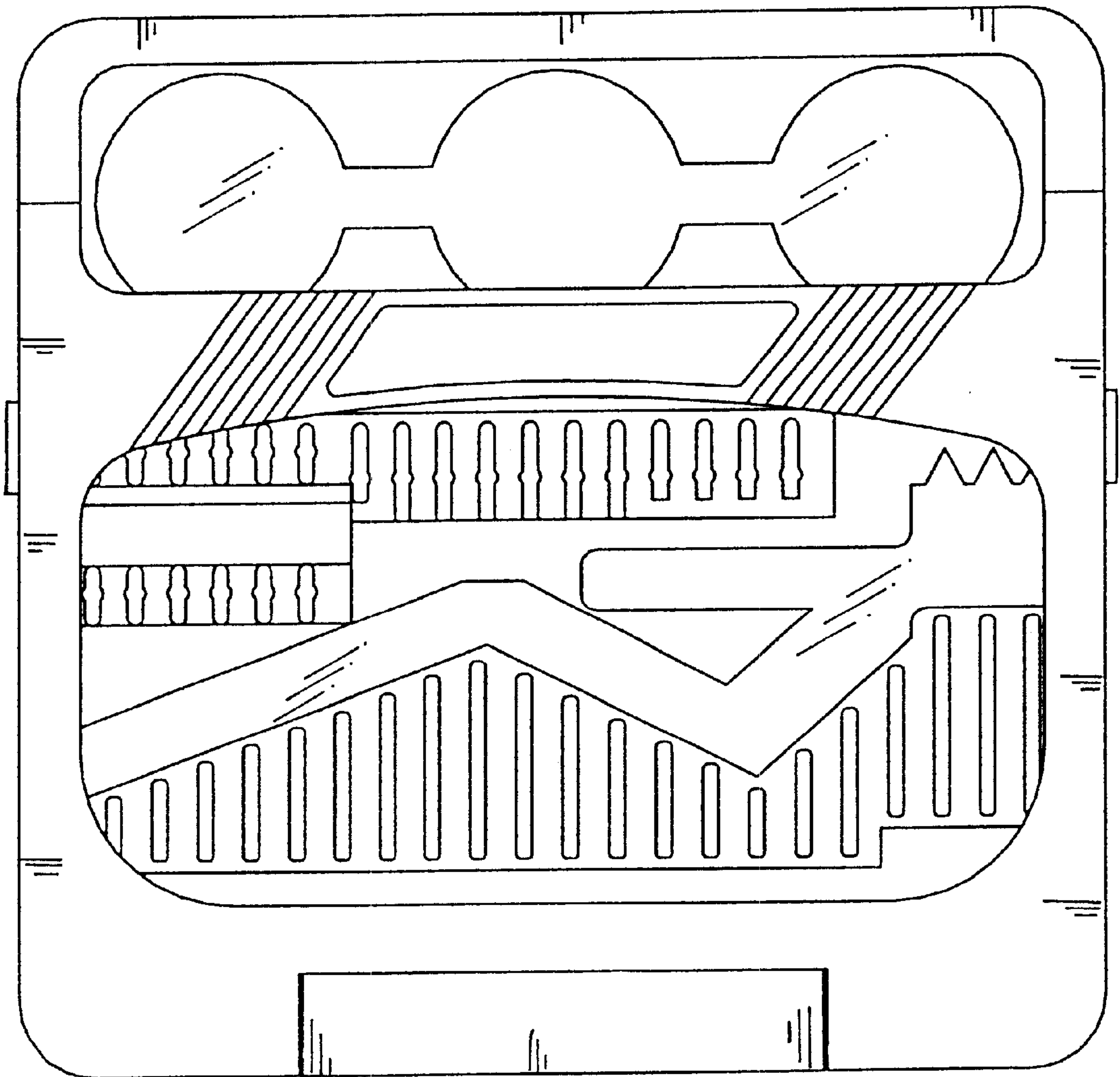


FIG.5

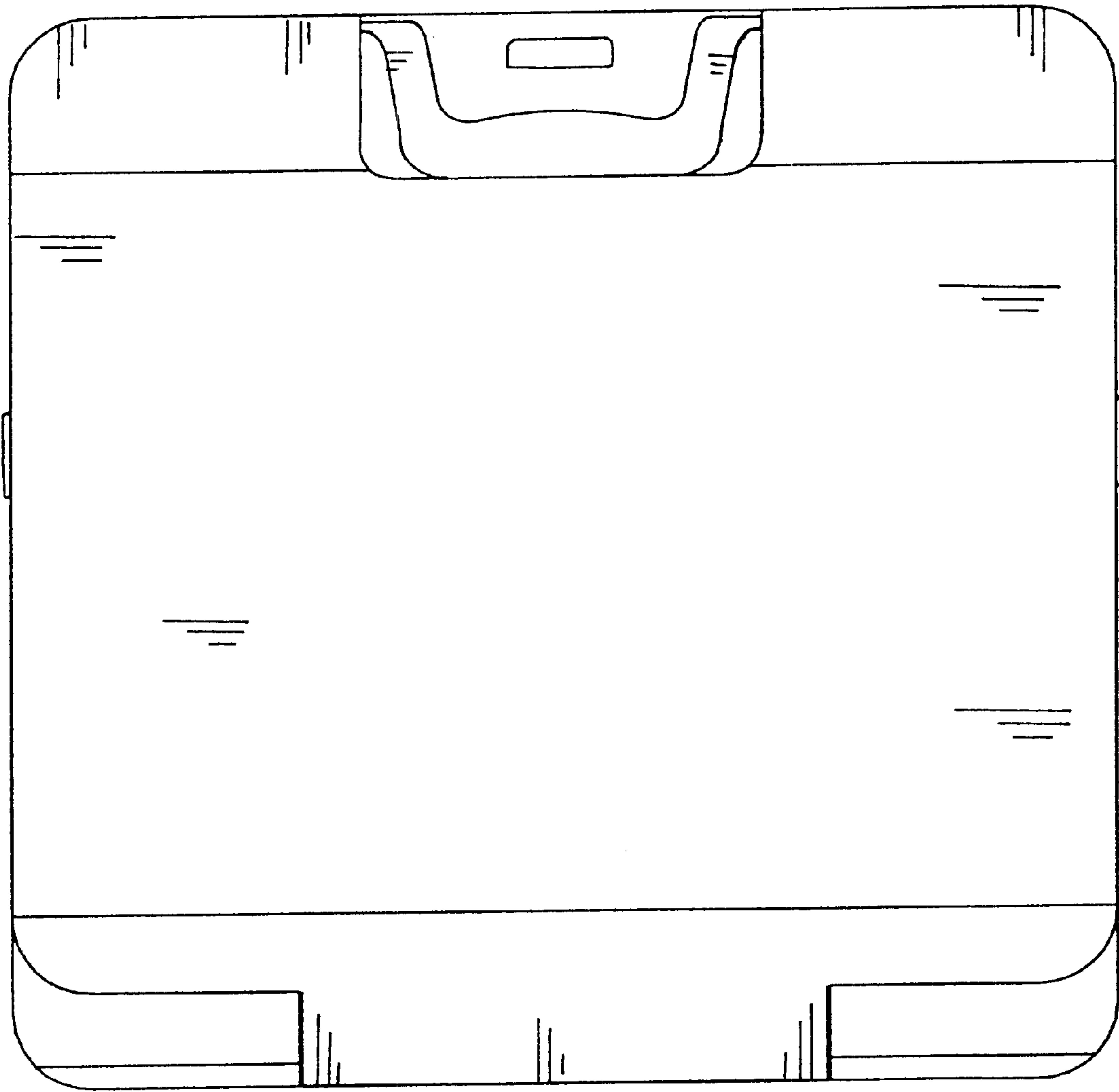


FIG. 6



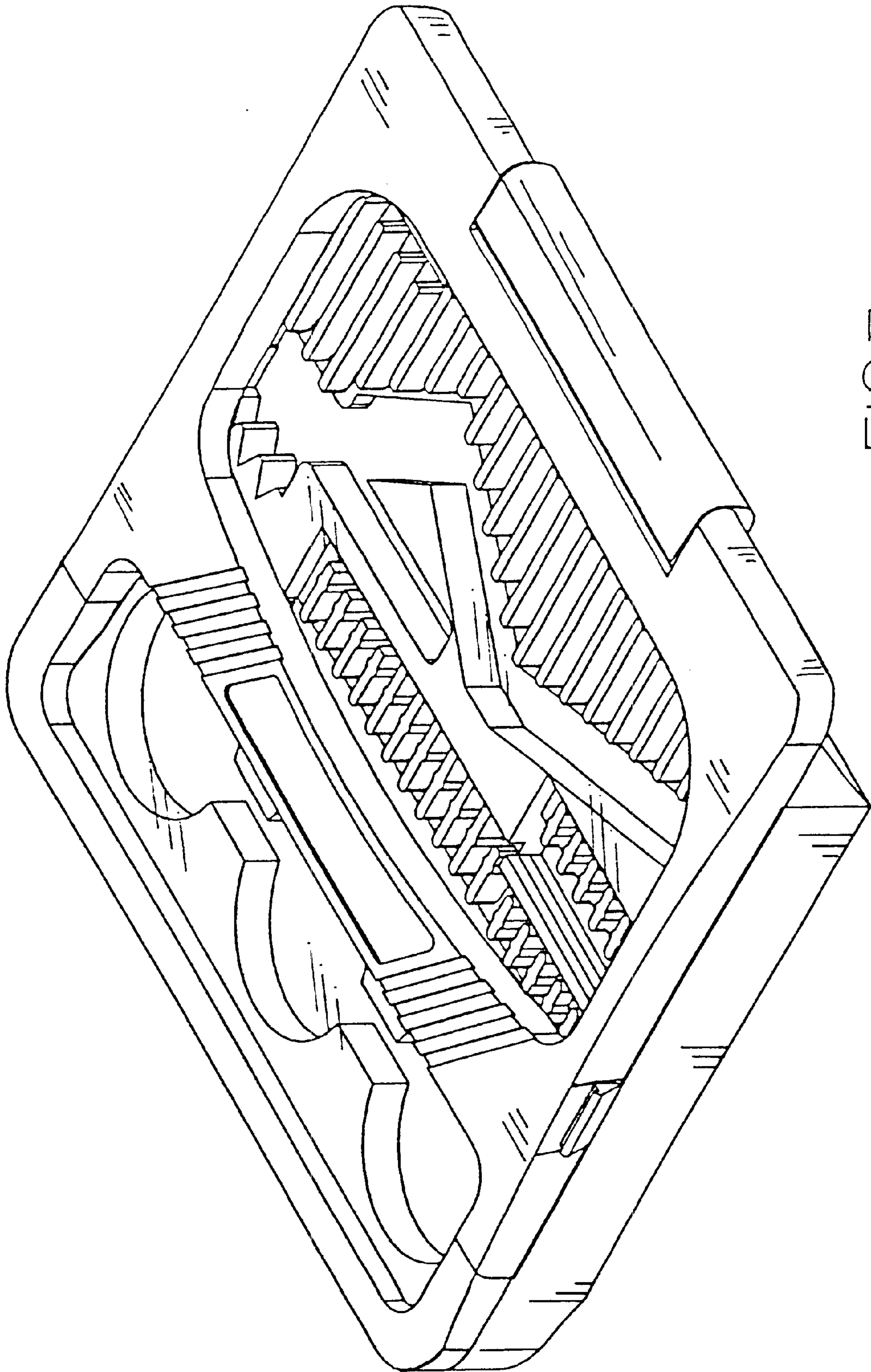


FIG. 7



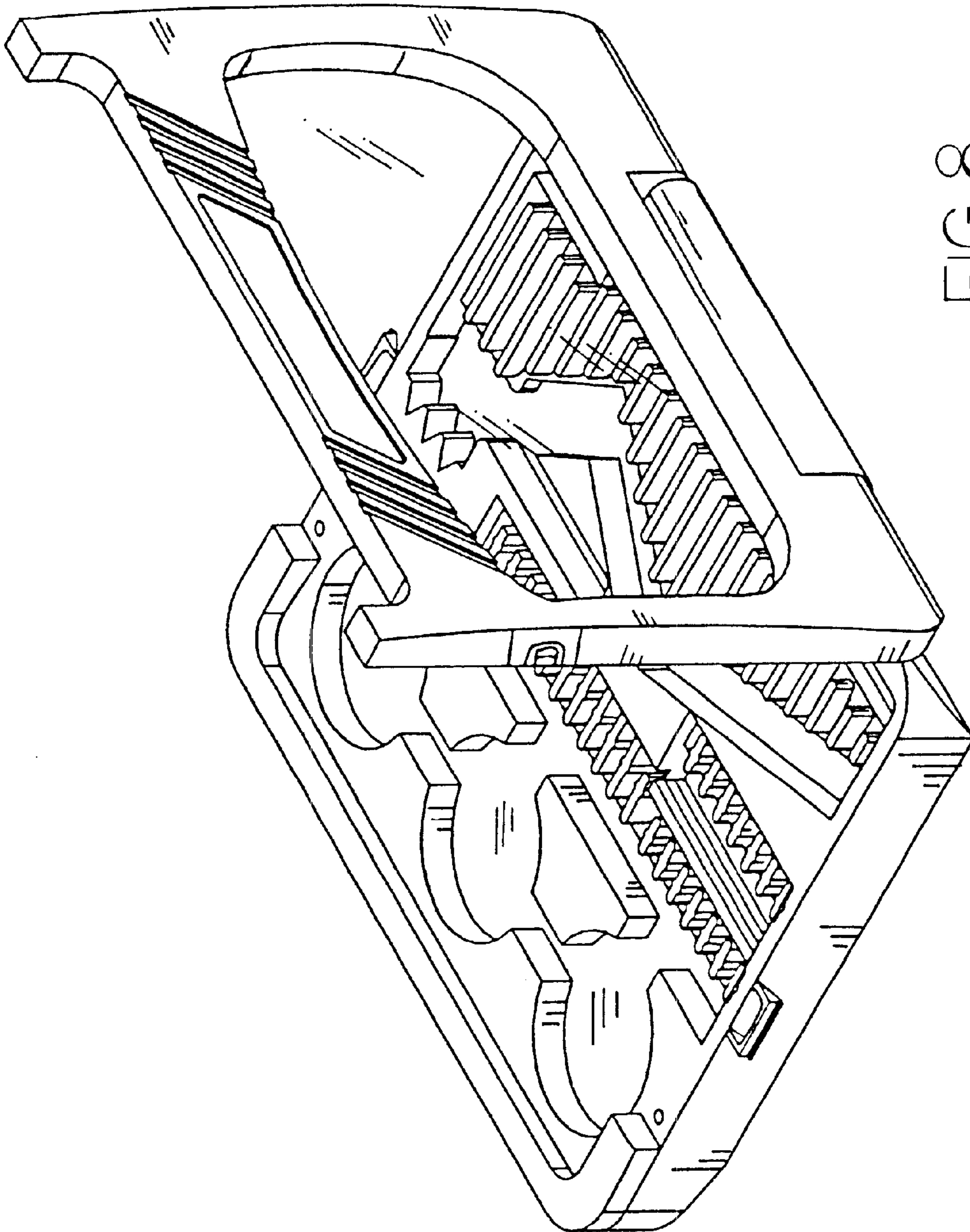


FIG. 8