



US00D458838S

(12) **United States Design Patent**  
**Mackelson**

(10) **Patent No.:** **US D458,838 S**

(45) **Date of Patent:** **\*\* Jun. 18, 2002**

(54) **BEVERAGE CONTAINER CARRYING CASE**

D310,482 S \* 9/1990 Smith ..... D9/344  
D447,952 S \* 9/2001 Valkovich ..... D9/455

(76) Inventor: **Ray Mackelson**, 290 Nightingale Road,  
Winnipeg, Manitoba (CA), R3J 3G5

\* cited by examiner

(\*\*) Term: **14 Years**

*Primary Examiner*—Ted Shooman

*Assistant Examiner*—Daniel Bui

(21) Appl. No.: **29/143,789**

(74) *Attorney, Agent, or Firm*—Ryan W. Dupuis; Adrian D.  
Battison; Michael R. Williams

(22) Filed: **Jun. 21, 2001**

(57) **CLAIM**

(30) **Foreign Application Priority Data**

The ornamental design for a beverage container carrying  
case, as shown and described.

Jan. 18, 2001 (CA) ..... 2001-0125

(51) **LOC (7) Cl.** ..... **09-03**

**DESCRIPTION**

(52) **U.S. Cl.** ..... **D9/341**

FIG. 1 is an isometric view of the beverage container  
carrying case.

(58) **Field of Search** ..... D9/307, 341, 415,

FIG. 2 is a top plan view of the beverage container carrying  
case.

D9/430, 432, 455, 499; 206/139, 140, 142,  
427, 430, 431, 443, 446, 457, 557, 558,  
562, 563, 527; 220/17.1, 23.83, 890, 915.1

FIG. 3 is an elevational side view of the beverage container  
carrying case, the opposite side being a mirror image.

(56) **References Cited**

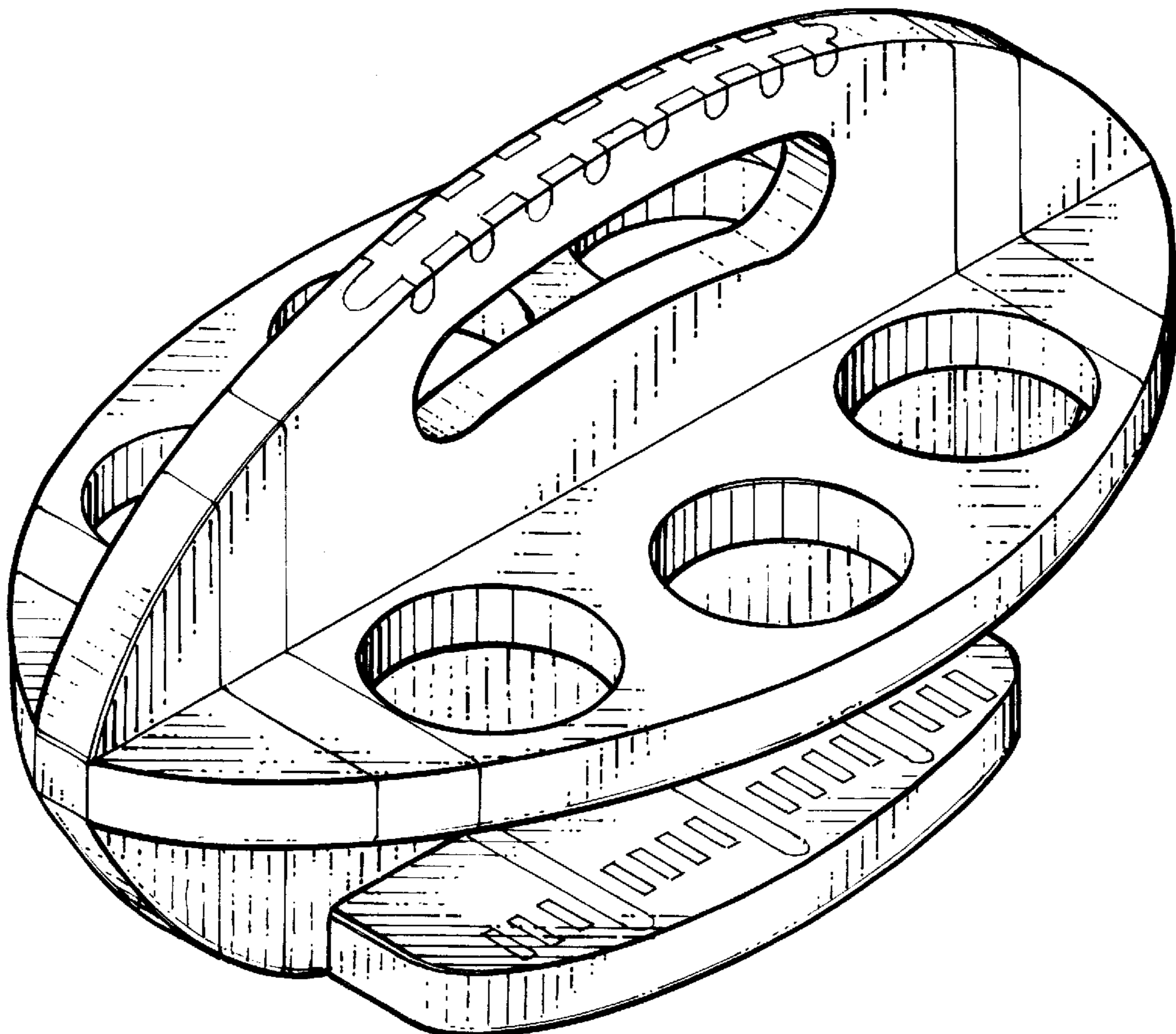
FIG. 4 is an elevational end view of the beverage container  
carrying case, the opposite end being a mirror image; and,

**U.S. PATENT DOCUMENTS**

FIG. 5 is a bottom plan view of the beverage container  
carrying case.

D110,691 S \* 8/1938 Dudley  
2,581,100 A \* 1/1952 Hennessy ..... 46/11  
3,248,036 A \* 4/1966 Weiss ..... 229/15  
4,793,647 A \* 12/1988 Marvin ..... 294/87.2

**1 Claim, 3 Drawing Sheets**



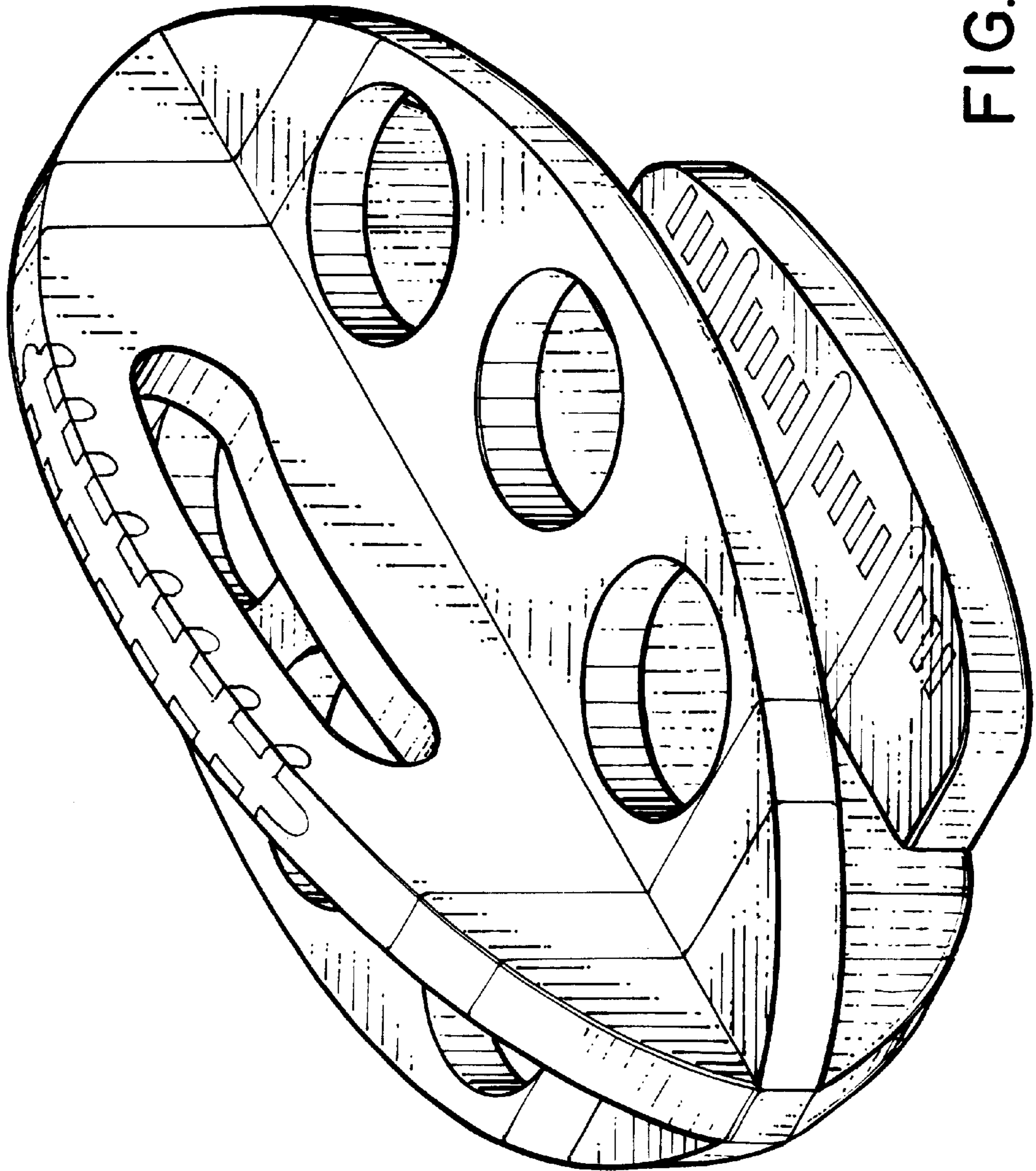


FIG. 1

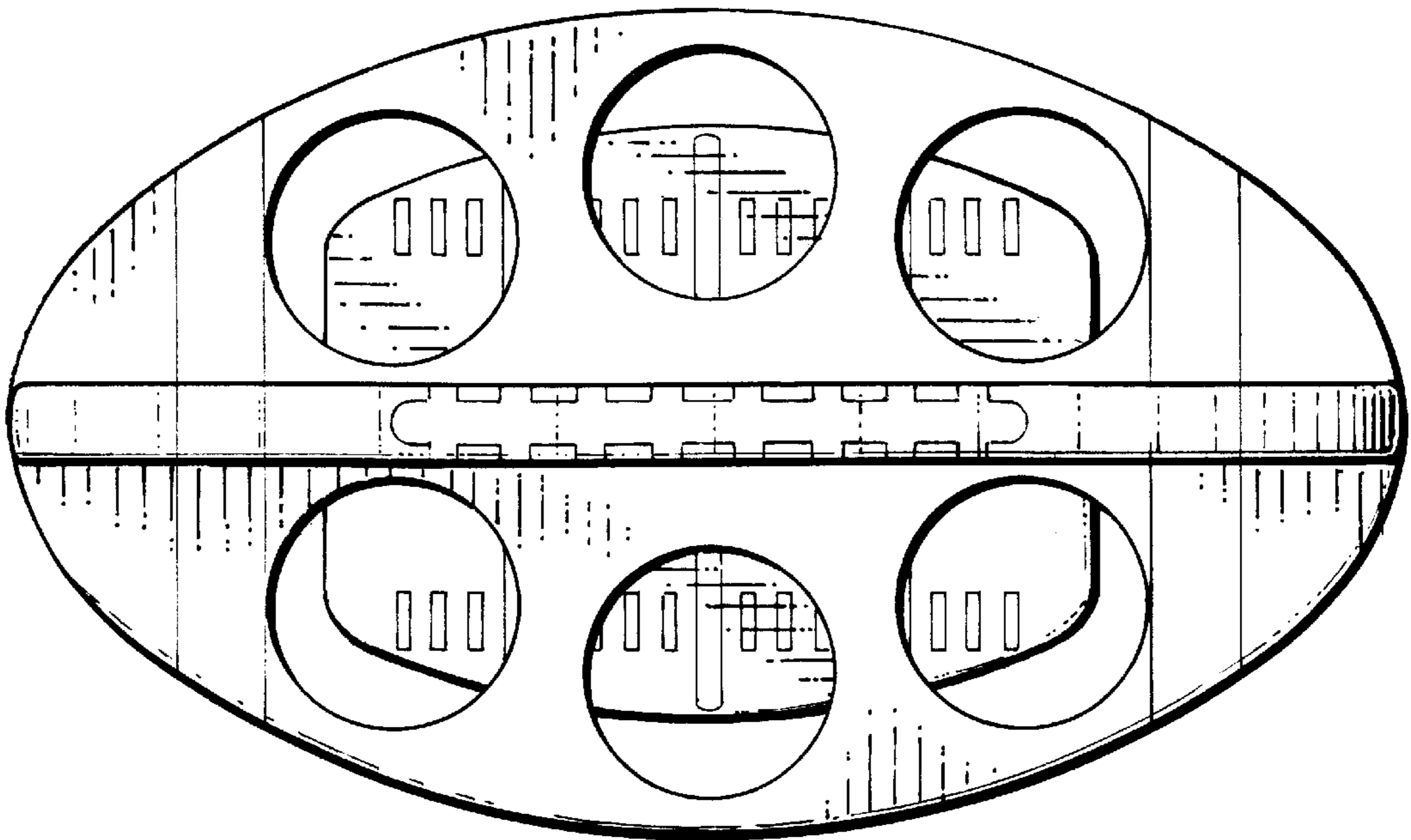


FIG. 2

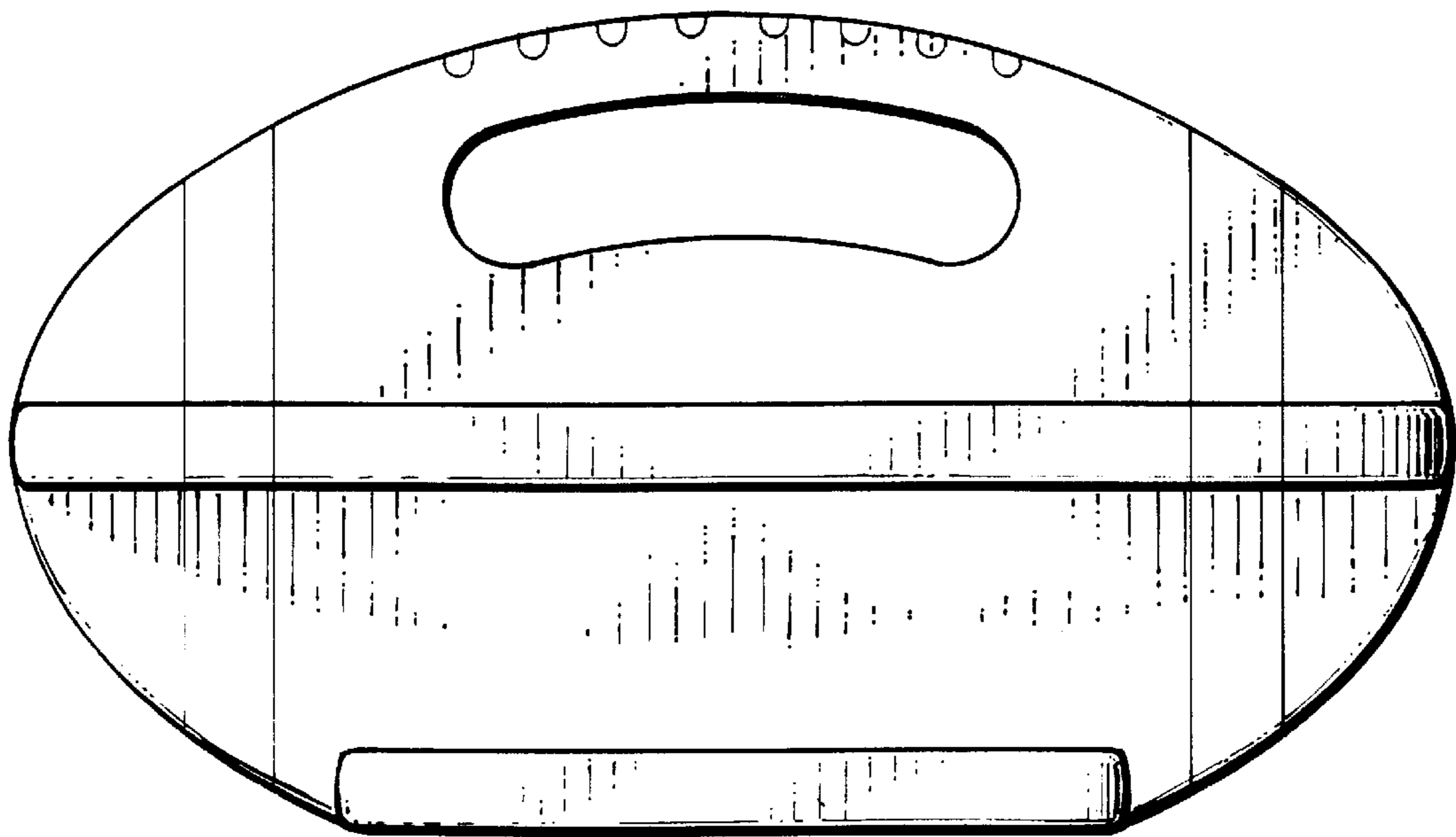


FIG. 3

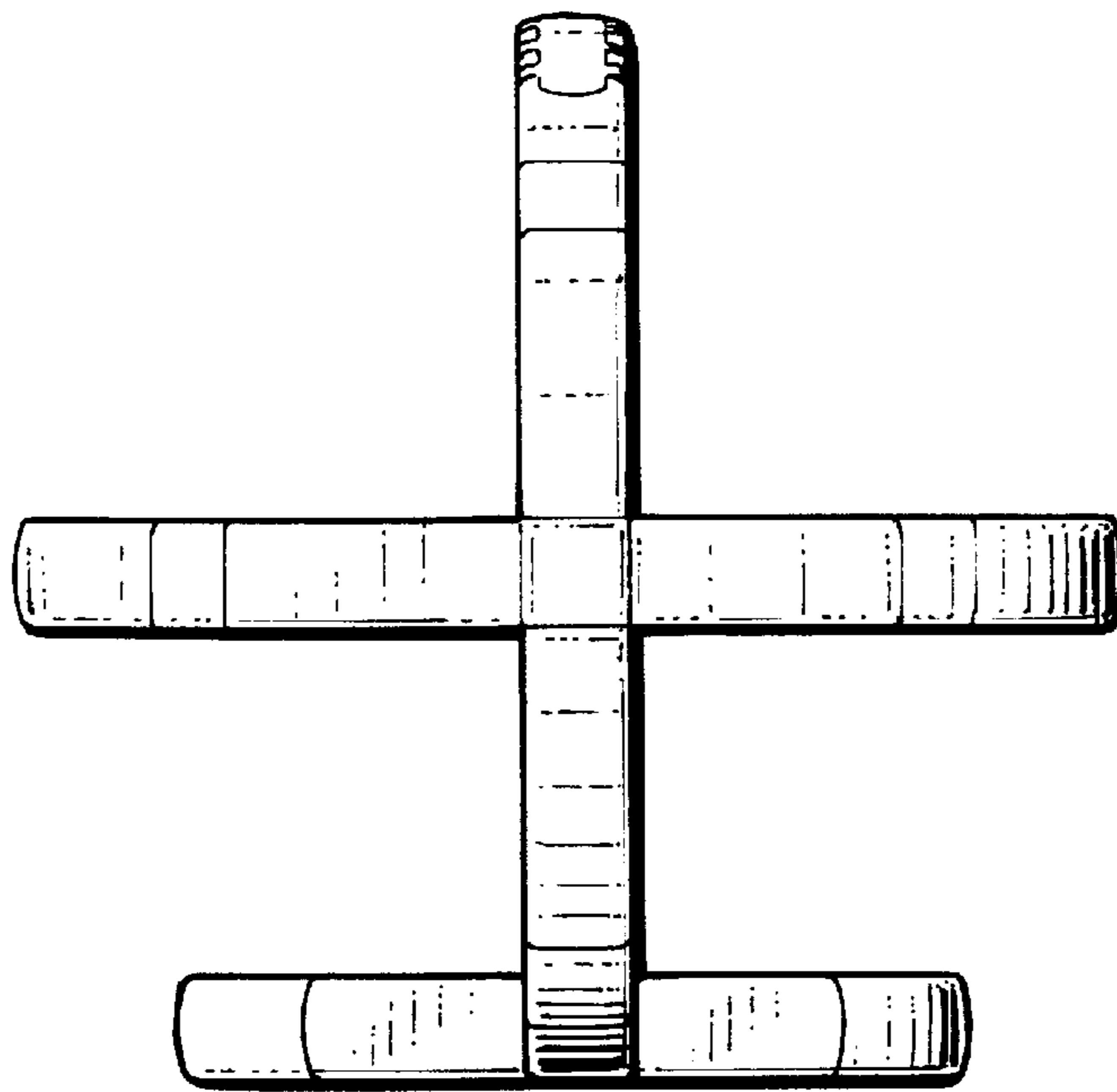


FIG. 4

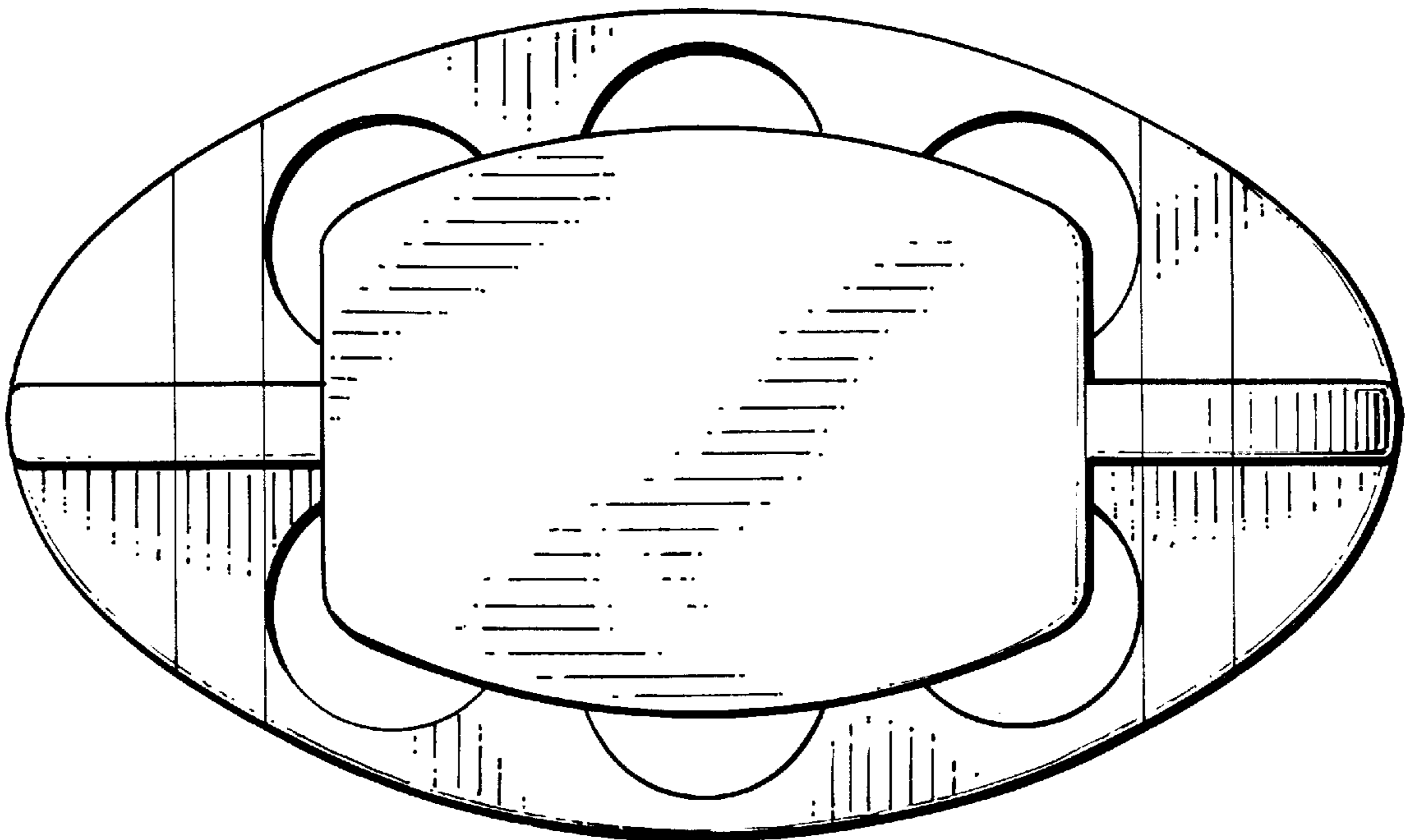


FIG. 5