



US00D458836S

(12) **United States Design Patent**  
**Garrant et al.**

(10) **Patent No.:** **US D458,836 S**  
(45) **Date of Patent:** **\*\* Jun. 18, 2002**

(54) **MINIATURE BATTERY DISPENSER**

D418,060 S \* 12/1999 De Villiers ..... D9/443  
D420,916 S \* 2/2000 Ohmi et al. .... D9/453

(75) Inventors: **Steven S. Garrant**, Greenwich;  
**Jonathan W. Hedman**, Burnt Hills;  
**Jeffrey P. Pirro**, Marcellus; **David A. Furth**, Skaneateles; **Richard H. Chapman**, Camillus; **Mark A. Ferguson**, Syracuse, all of NY (US)

\* cited by examiner

*Primary Examiner*—Ted Shooman  
*Assistant Examiner*—Daniel Bui  
(74) *Attorney, Agent, or Firm*—Linda Gebauer; Robert W. Welsh

(73) Assignee: **Eveready Battery Company, Inc.**, St. Louis, MO (US)

(57) **CLAIM**

The ornamental design for the miniature battery dispenser, as shown.

(\*\*) Term: **14 Years**

(21) Appl. No.: **29/136,037**

(22) Filed: **Jan. 24, 2001**

**DESCRIPTION**

**Related U.S. Application Data**

(63) Continuation-in-part of application No. 09/658,201, filed on Sep. 8, 2000.

(51) **LOC (7) Cl.** ..... **09-01**

(52) **U.S. Cl.** ..... **D9/339**

(58) **Field of Search** ..... D9/339, 338, 414, D9/416-417, 434-435, 443, 447, 449, 454, 499; 206/37, 477, 528, 527, 815, 816, 828; 220/200, 203.1, 203.04-203.07, 203.12, 203.17, 203.22, 203.27, 203.29, 253, 260, 812, 816, 820, 824, 890

FIG. 1 is a perspective view showing the front and top of the pusher for a battery dispenser of the present invention with the thumb slide in a forward and closed position; FIG. 2 is a perspective view showing the front and top of the pusher for a battery dispenser of the present invention with the thumb slide in a rearward and open position; FIG. 3 is a plan view of the top of the pusher for a battery dispenser of the present invention; FIG. 4 is an elevational view of the front of the pusher for a battery dispenser of the present invention; FIG. 5 is an elevational view of the rear of the pusher for a battery dispenser of the present invention; FIG. 6 is an elevational view of a first side of the pusher for a battery dispenser of the present invention; and, FIG. 7 is a plan view of the bottom of the pusher job for a battery dispenser of the present invention.

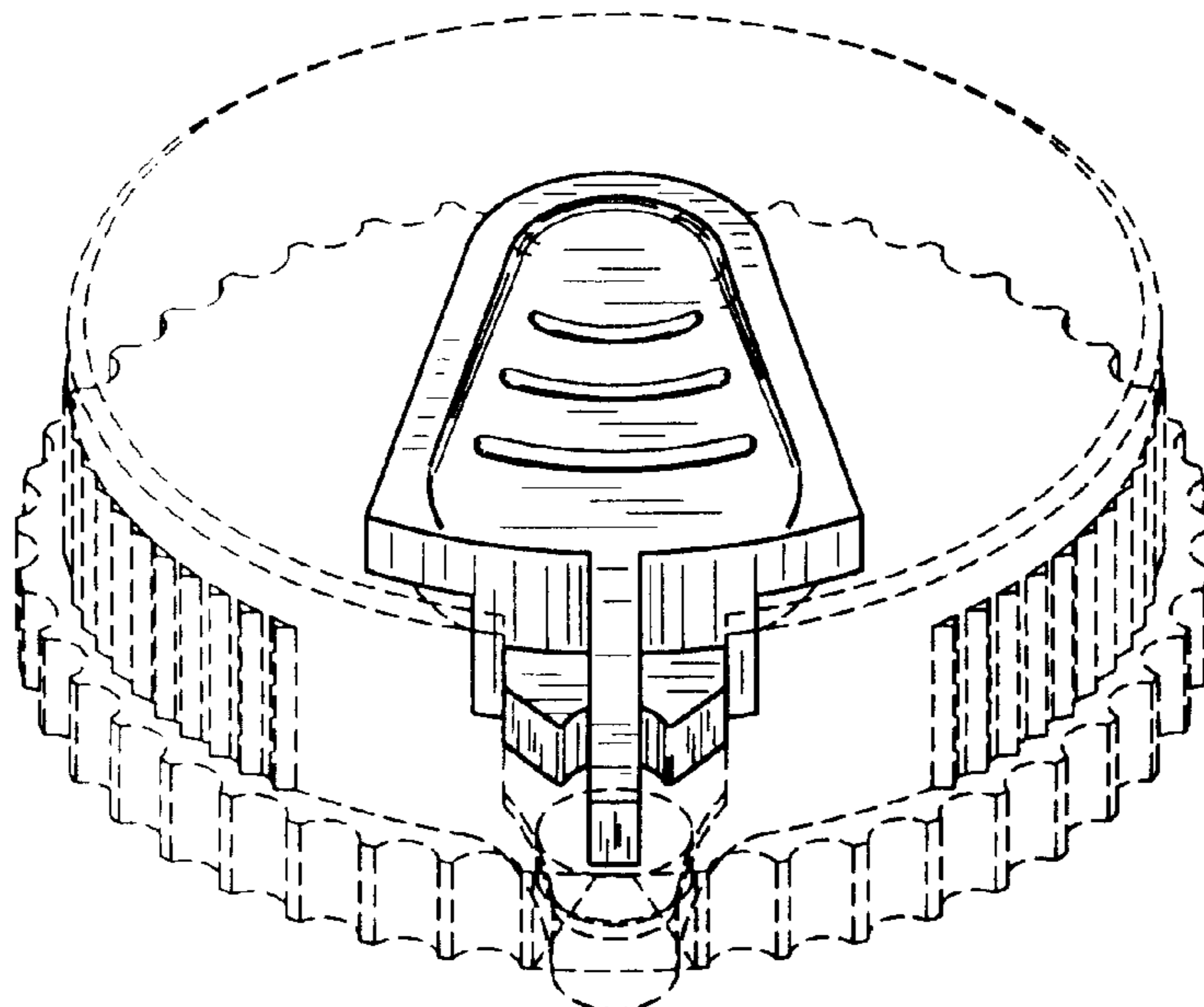
The first side elevational view shown in FIG. 6 is a mirror image of the opposite side of the pusher for a battery dispenser of the present invention. Those elements that are shown in the above drawings in phantom lines do not form a part of the design sought to be patented.

(56) **References Cited**

**U.S. PATENT DOCUMENTS**

D198,542 S \* 6/1964 Tapper ..... D52/2  
3,254,785 A \* 6/1966 Lovell ..... 215/41  
D275,655 S \* 9/1984 Bainton ..... D9/438  
D288,667 S \* 3/1987 Miner ..... D9/443

**1 Claim, 2 Drawing Sheets**



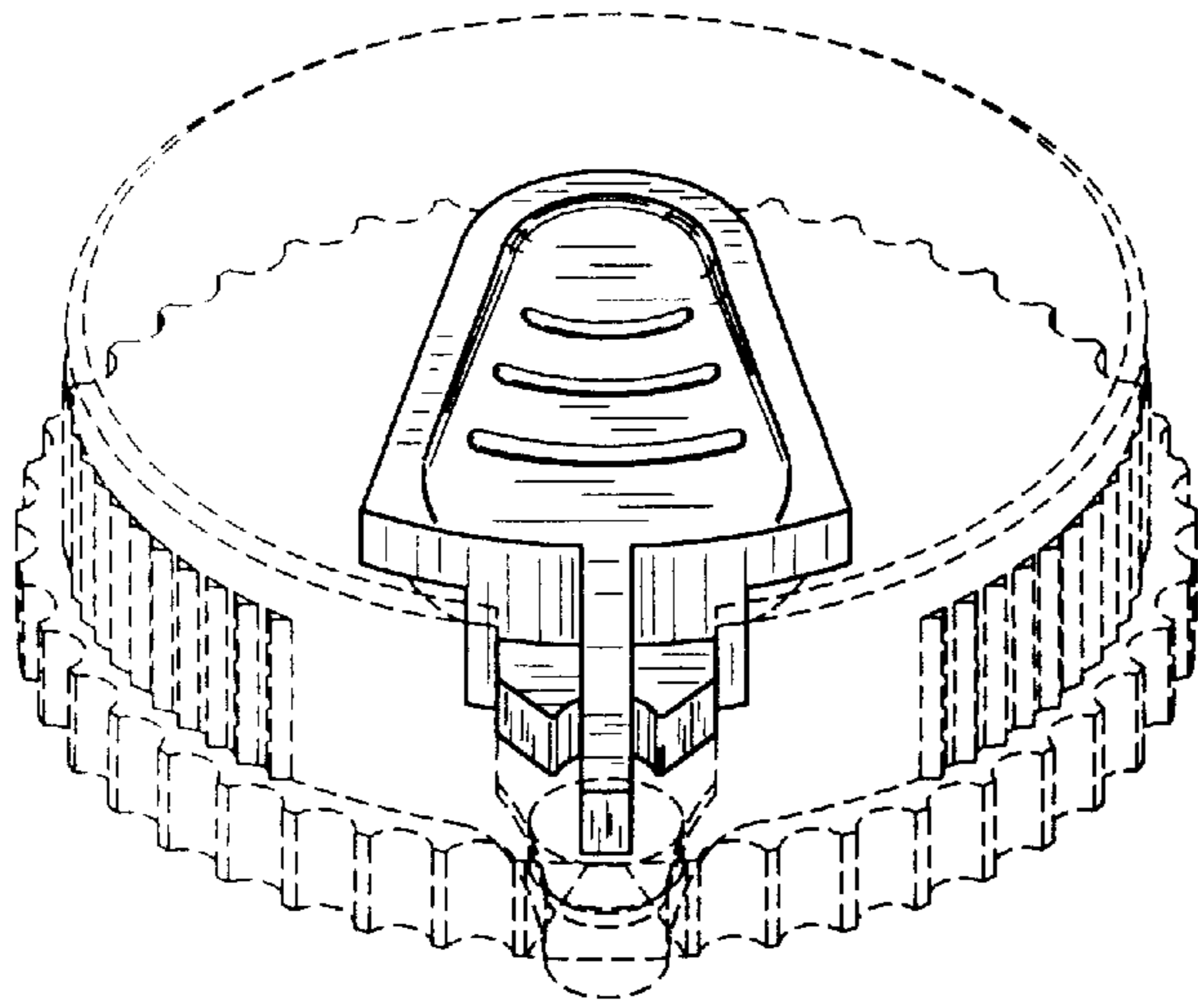


FIG. 1

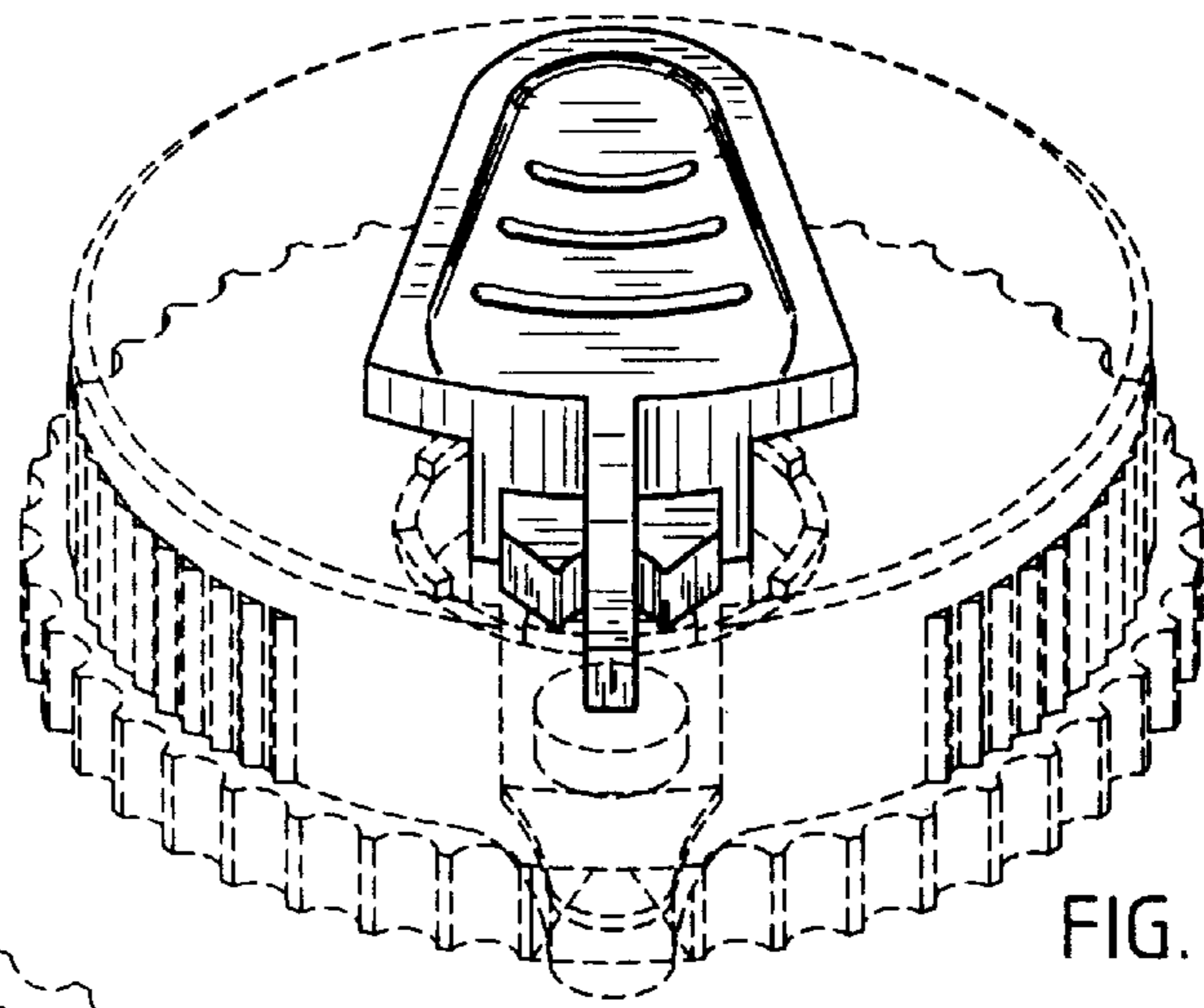


FIG. 2

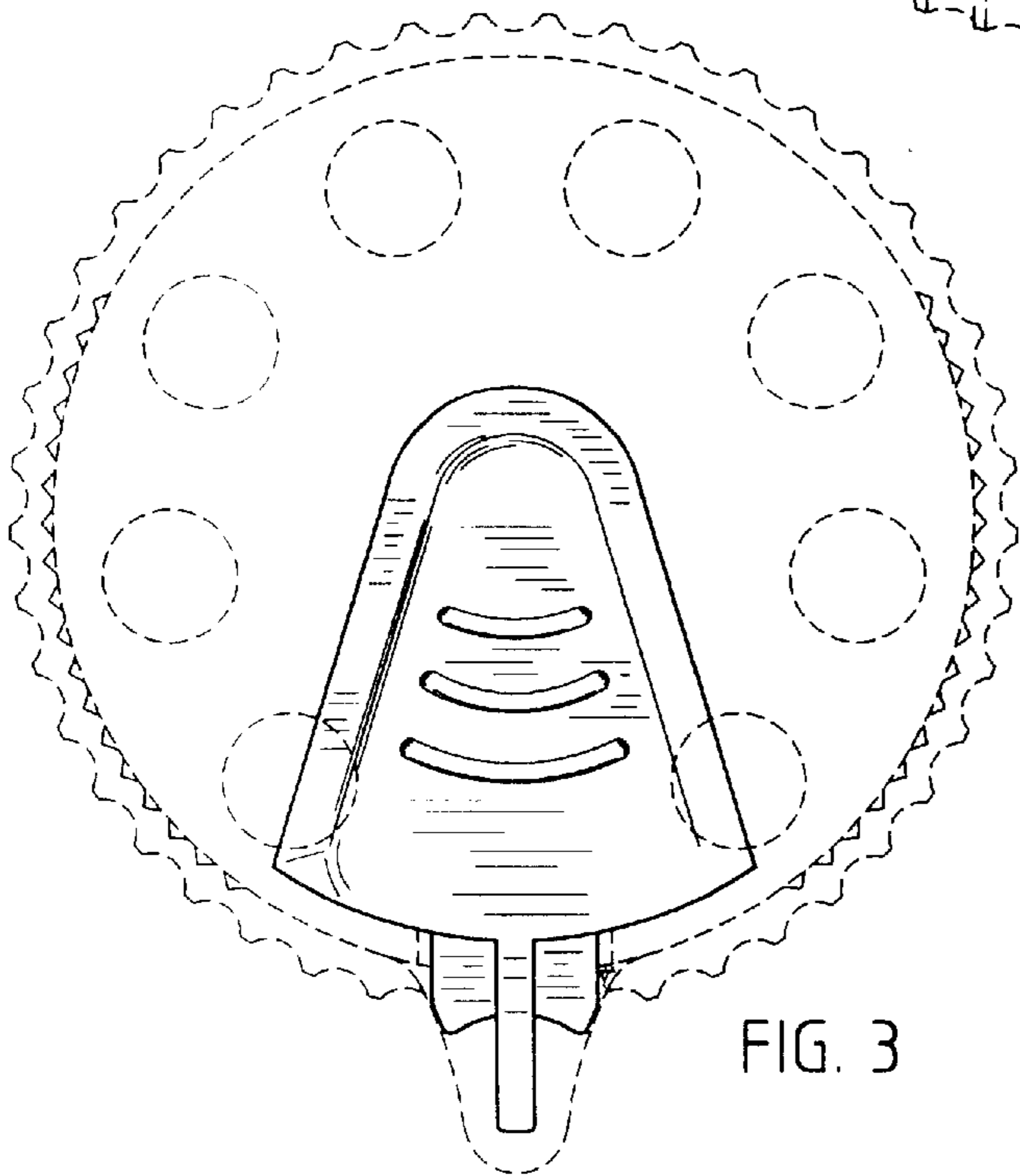


FIG. 3

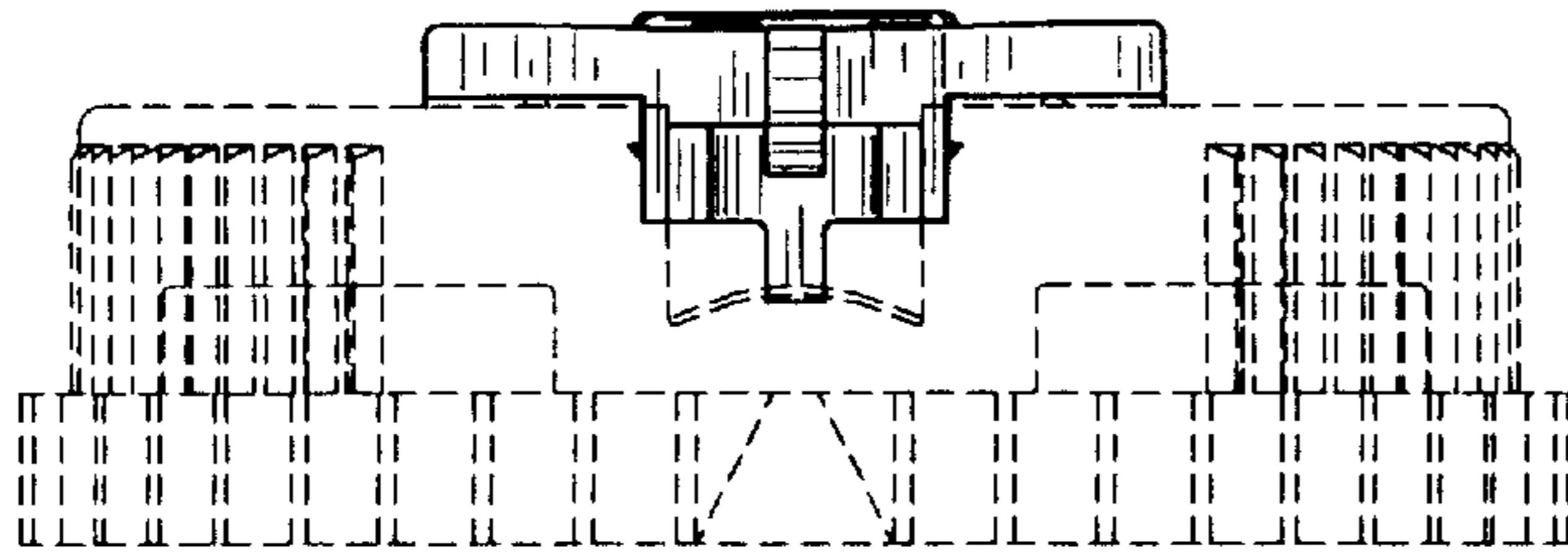


FIG. 4

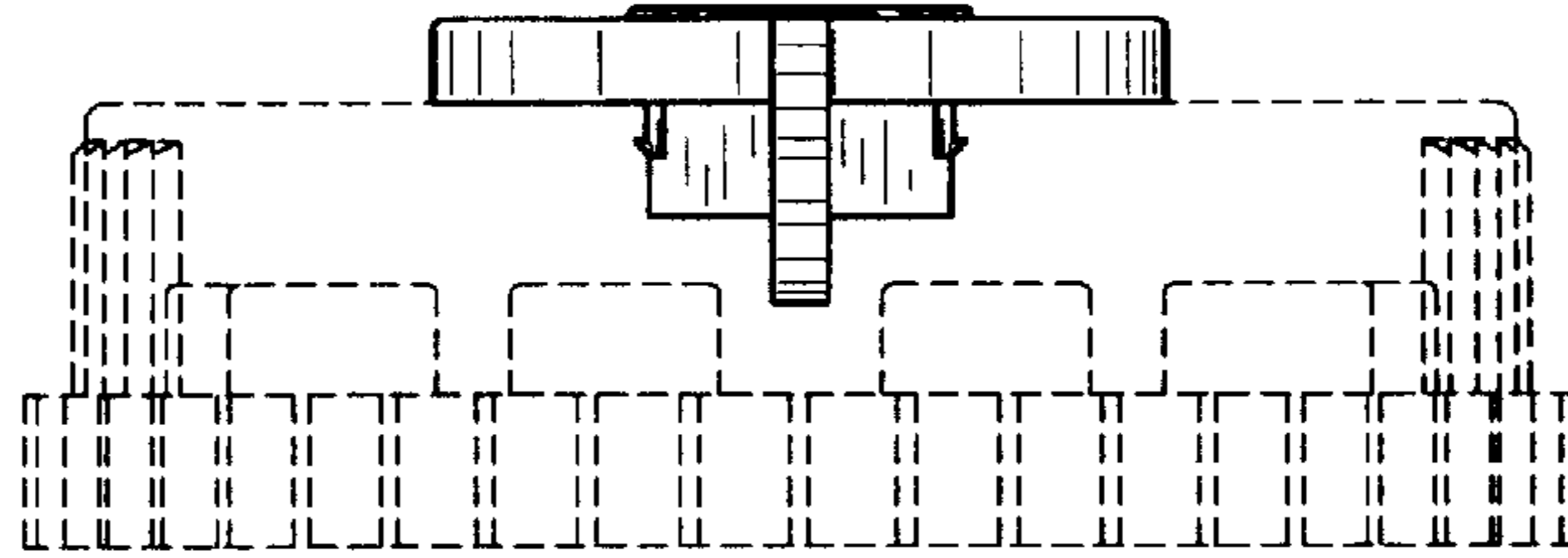


FIG. 5



FIG. 6

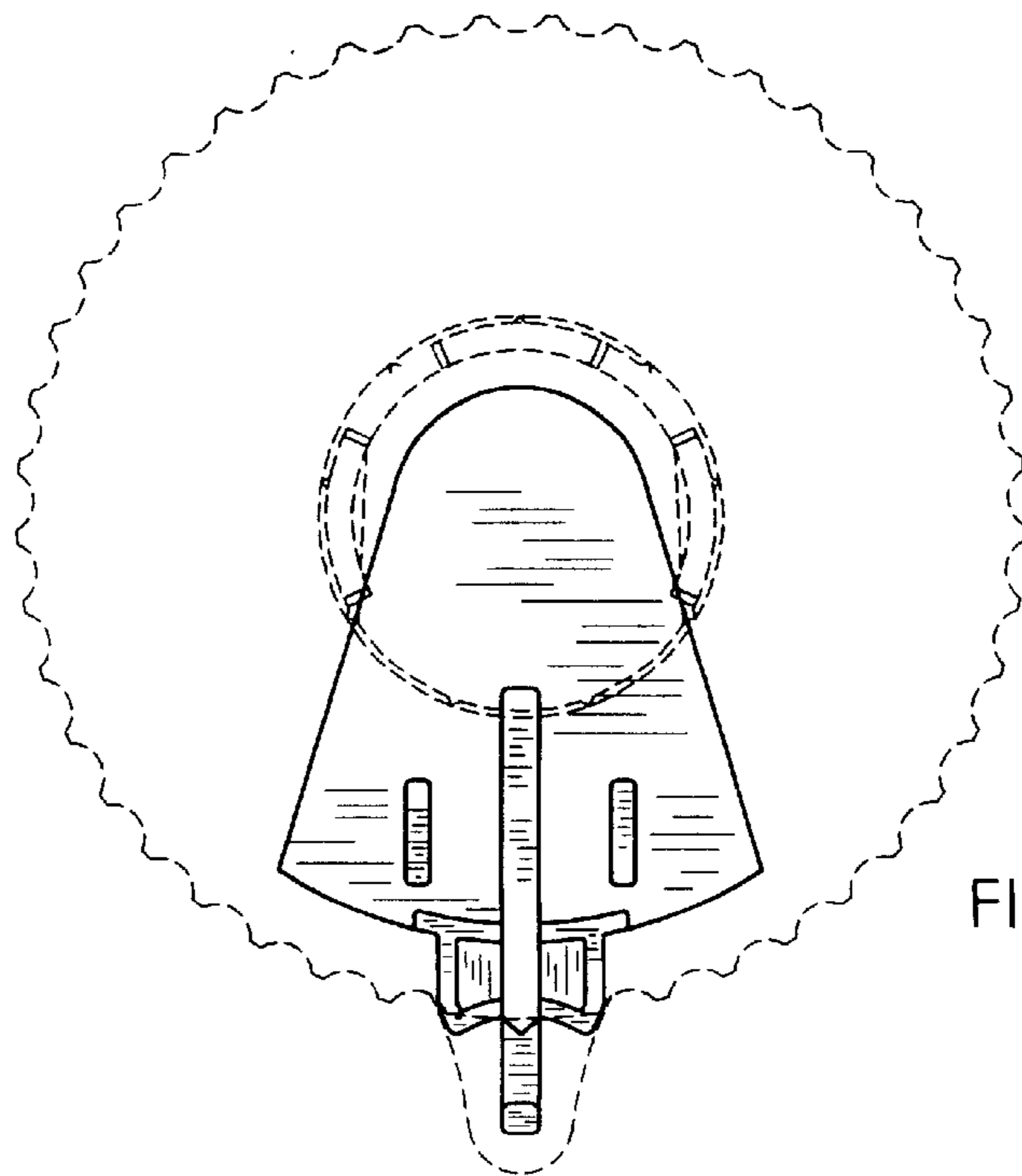


FIG. 7