



US00D458830S

(12) **United States Design Patent**
Morris et al.

(10) **Patent No.:** **US D458,830 S**
(45) **Date of Patent:** **** Jun. 18, 2002**

(54) **WINDING APPARATUS FOR STORING
COMPUTER TELEPHONE CORDS**

6,287,141 B1 * 9/2001 Hsieh Huang 439/501

* cited by examiner

(75) Inventors: **Jeffrey M. Morris**, Buffalo Grove, IL
(US); **Ming-Shih Kao**, Taipei (TW)

Primary Examiner—Caron D. Veynar

Assistant Examiner—Elizabeth A. Albert

(73) Assignee: **Telephone Products, Inc.**, Wheeling, IL
(US)

(74) *Attorney, Agent, or Firm*—Welsh & Katz, Ltd.;
Thomas W. Tolpin

(**) Term: **14 Years**

(57) **CLAIM**

(21) Appl. No.: **29/129,118**

The ornamental design for a winding apparatus for storing
computer telephone cords, substantially as shown and
described.

(22) Filed: **Sep. 8, 2000**

DESCRIPTION

(51) **LOC (7) Cl.** **08-05**

(52) **U.S. Cl.** **D8/358**

(58) **Field of Search** D8/358, 359; D13/153;
191/12.2 R, 12.4; 242/371, 379, 388.1,
395, 396.1, 398, 399, 402, 404, 405.3;
439/501

FIG. 1 is a perspective view of a winding apparatus for
storing computer telephone cords showing our new design;
FIG. 2 is a inverted left side view thereof; the right side
view thereof being a mirror image and symmetrical to the left
side view thereof;

FIG. 3 is a top plan view thereof;

FIG. 4 is a front view thereof; the back view thereof being
a mirror image and symmetrical to the front view thereof;
and,

FIG. 5 is a bottom view thereof.

(56) **References Cited**

U.S. PATENT DOCUMENTS

4,416,429 A * 11/1983 Jessamine 242/388.1
D430,851 S 9/2000 Hwang D13/154

1 Claim, 2 Drawing Sheets

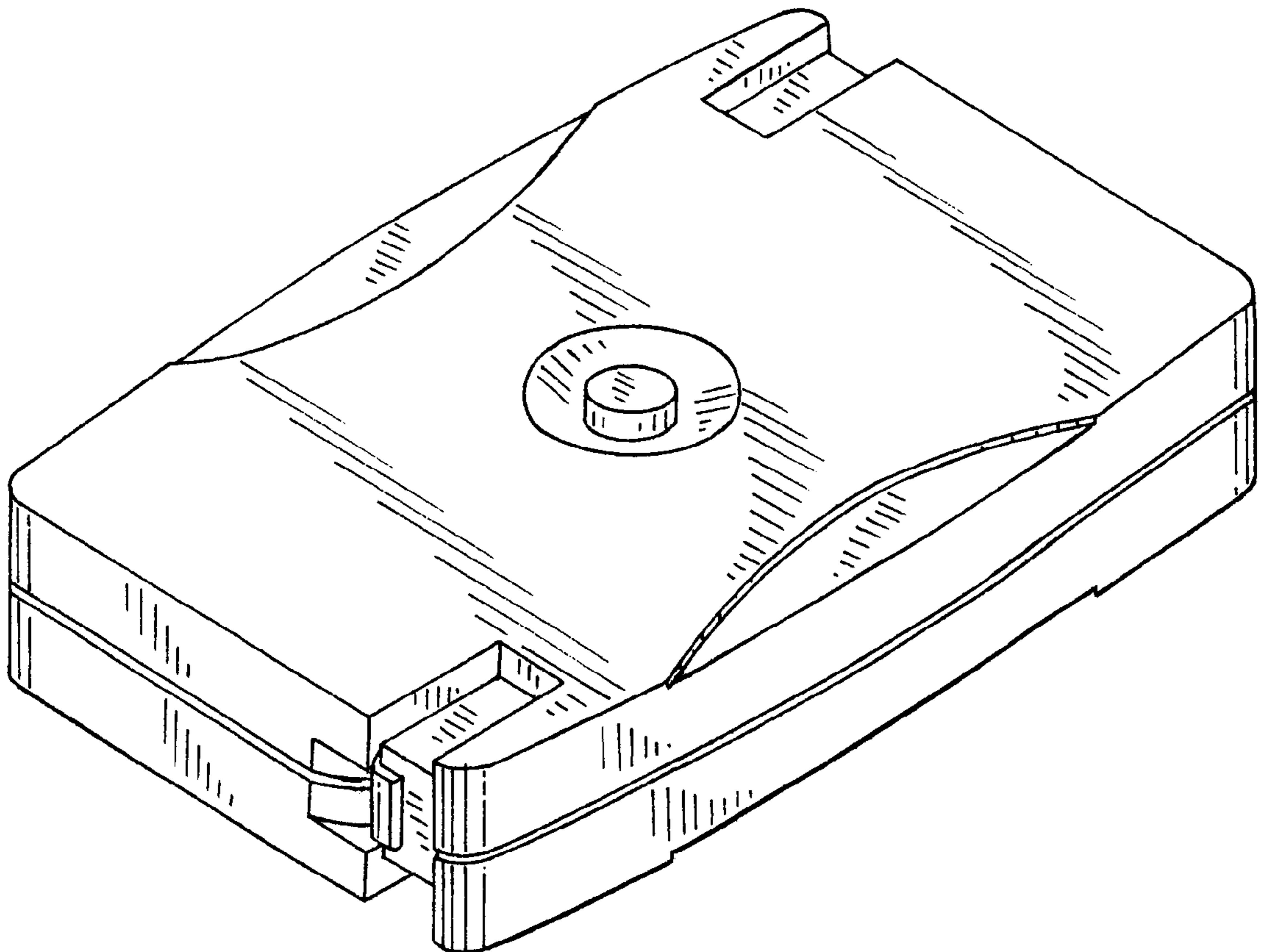


FIG. 1

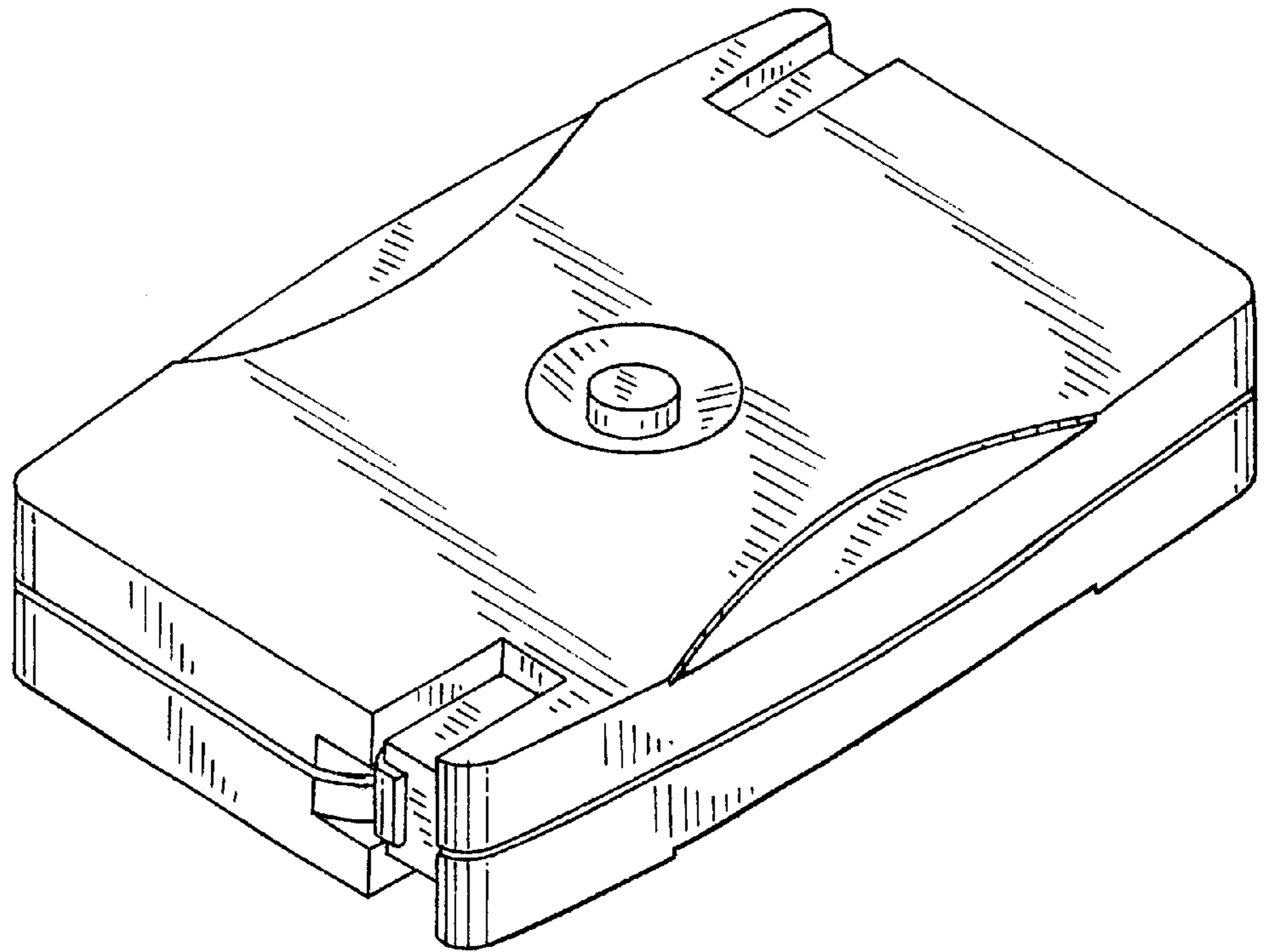
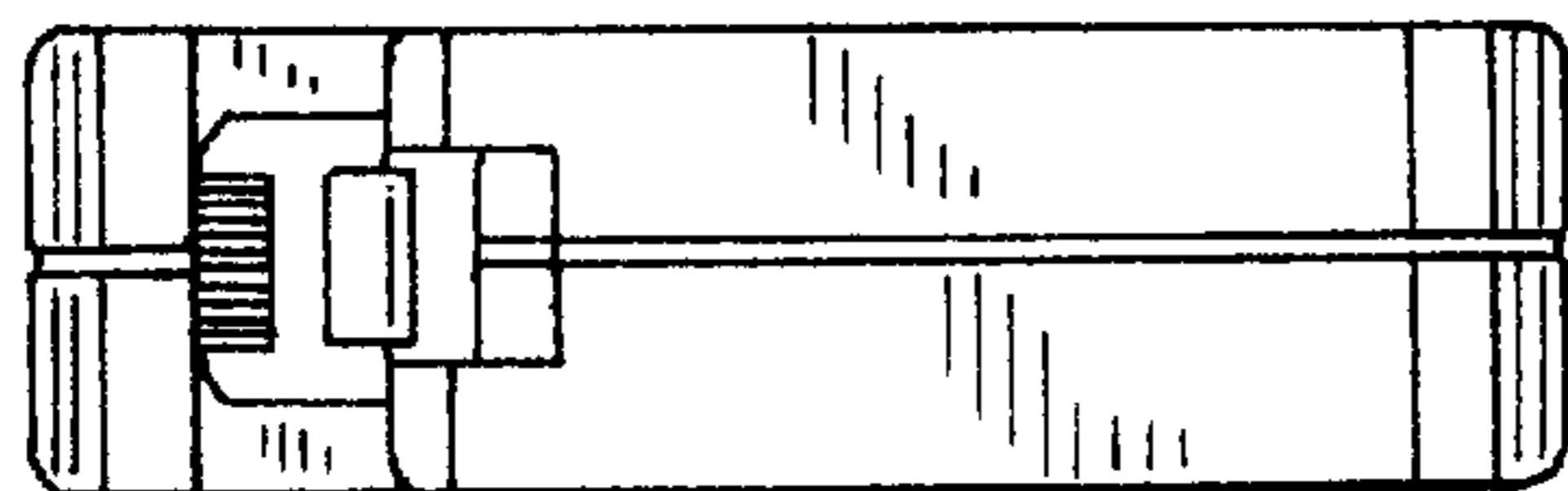


FIG. 2



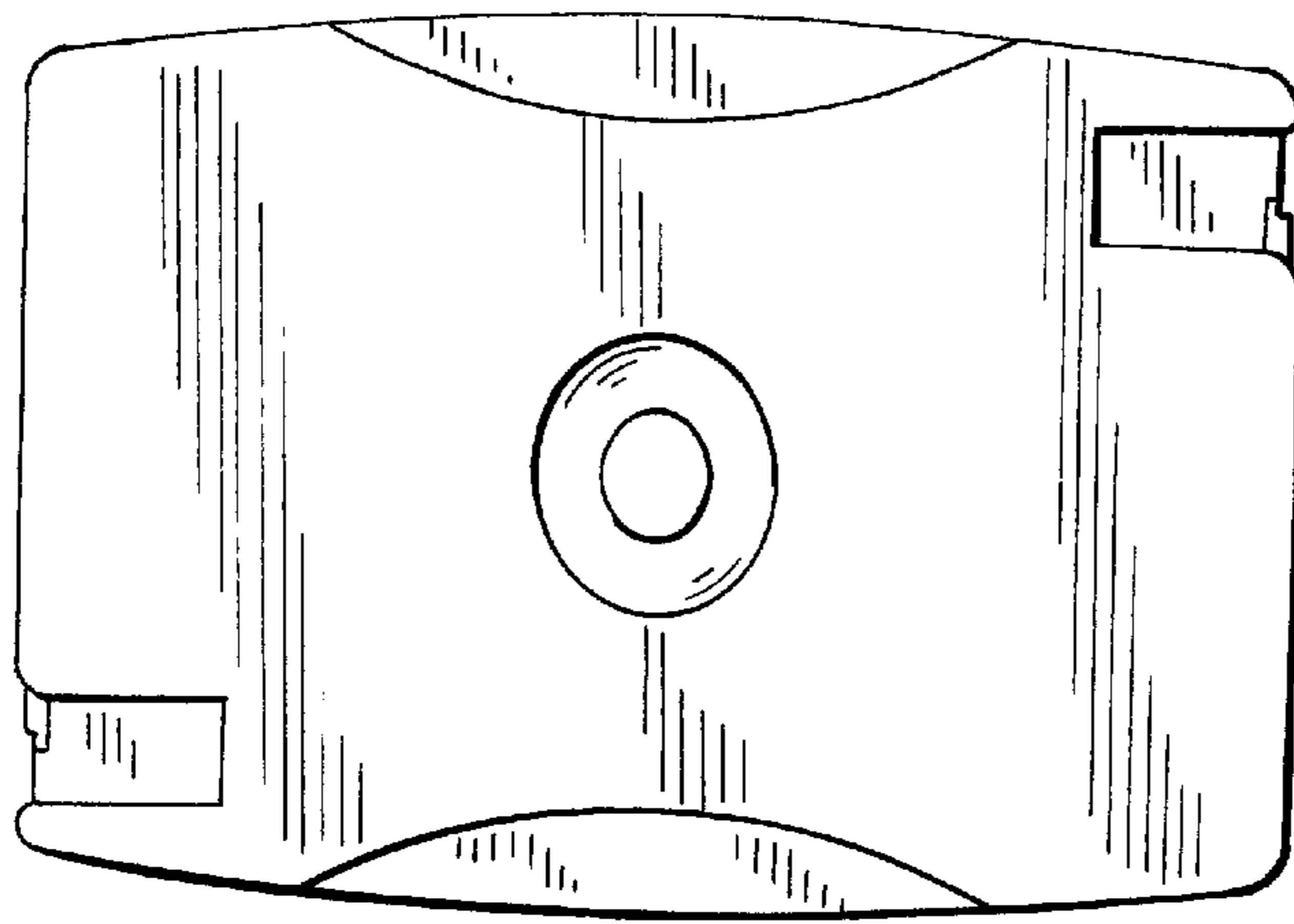


FIG. 3

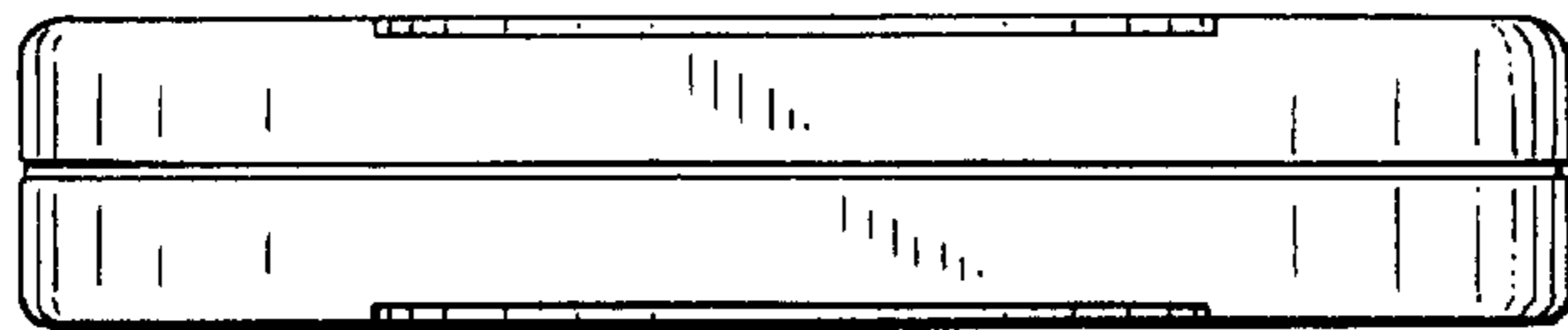


FIG. 4

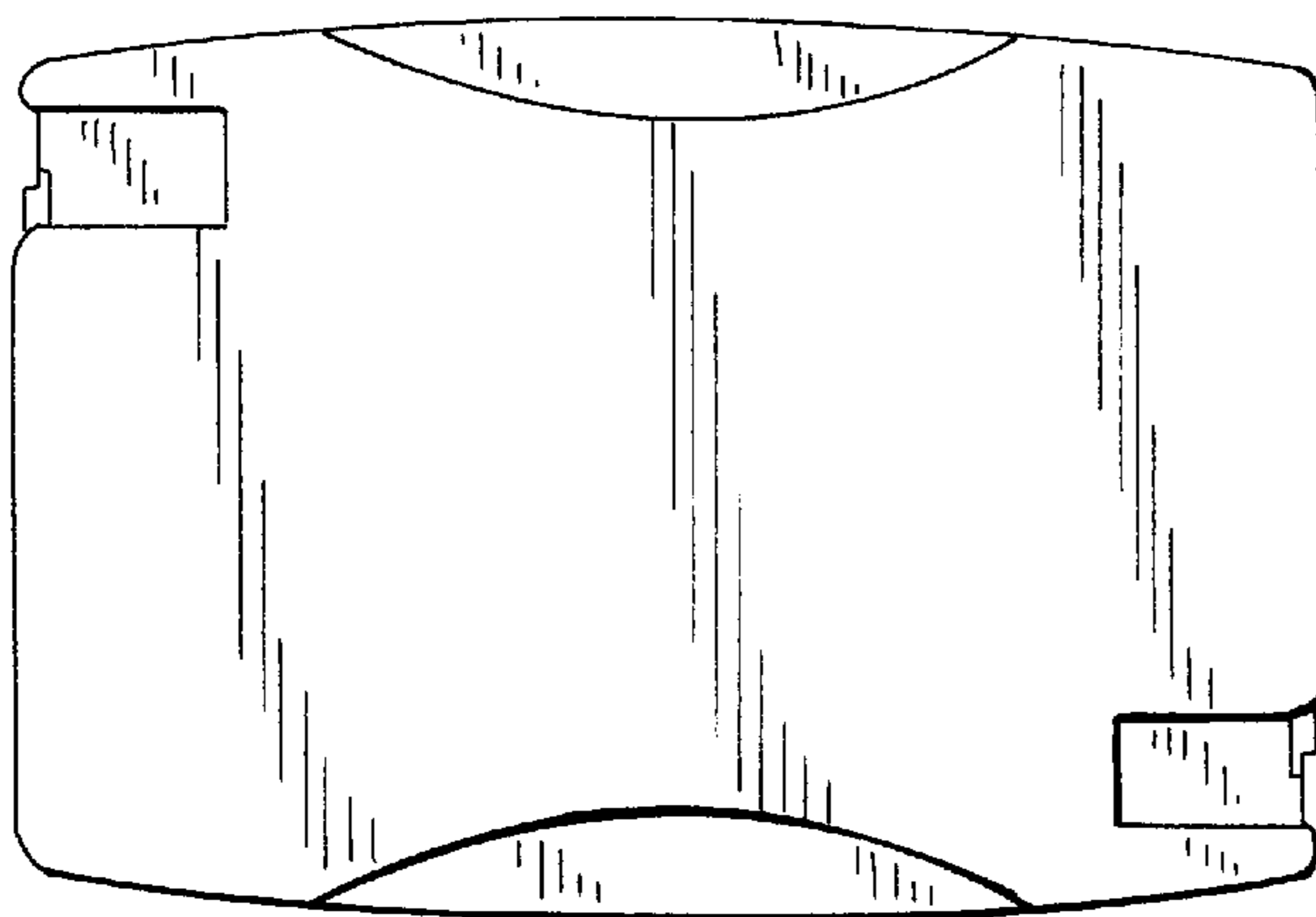


FIG. 5