



US00D458826S

(12) **United States Design Patent**
Ray

(10) **Patent No.:** **US D458,826 S**
(45) **Date of Patent:** **** Jun. 18, 2002**

(54) **WORKHOLDING JAW**

(76) Inventor: **Stafford James Ray**, RMB 845,
Dooralong NSW 2259 (AU)

(**) Term: **14 Years**

(21) Appl. No.: **29/133,552**

(22) Filed: **Dec. 1, 2000**

(30) **Foreign Application Priority Data**

Jun. 1, 2000 (AU) 1676/00

(51) **LOC (7) Cl.** **08-05**

(52) **U.S. Cl.** **D8/72**

(58) **Field of Search** D8/71, 72; D25/67;
182/181.1, 224; 269/287, 319, 902, 211,
305, 329, 296, 289 R, 909

(56) **References Cited**

U.S. PATENT DOCUMENTS

- 4,241,772 A * 12/1980 Scherer 182/181.1
- 4,258,907 A * 3/1981 ROberts et al. 269/287
- 4,362,295 A * 12/1982 Ford 269/296
- 4,641,822 A * 2/1987 Fenerty 269/902
- 4,676,490 A * 6/1987 Hopkins 269/296

* cited by examiner

Primary Examiner—B. J. Bullock

(74) *Attorney, Agent, or Firm*—Jordan and Hamburg LLP

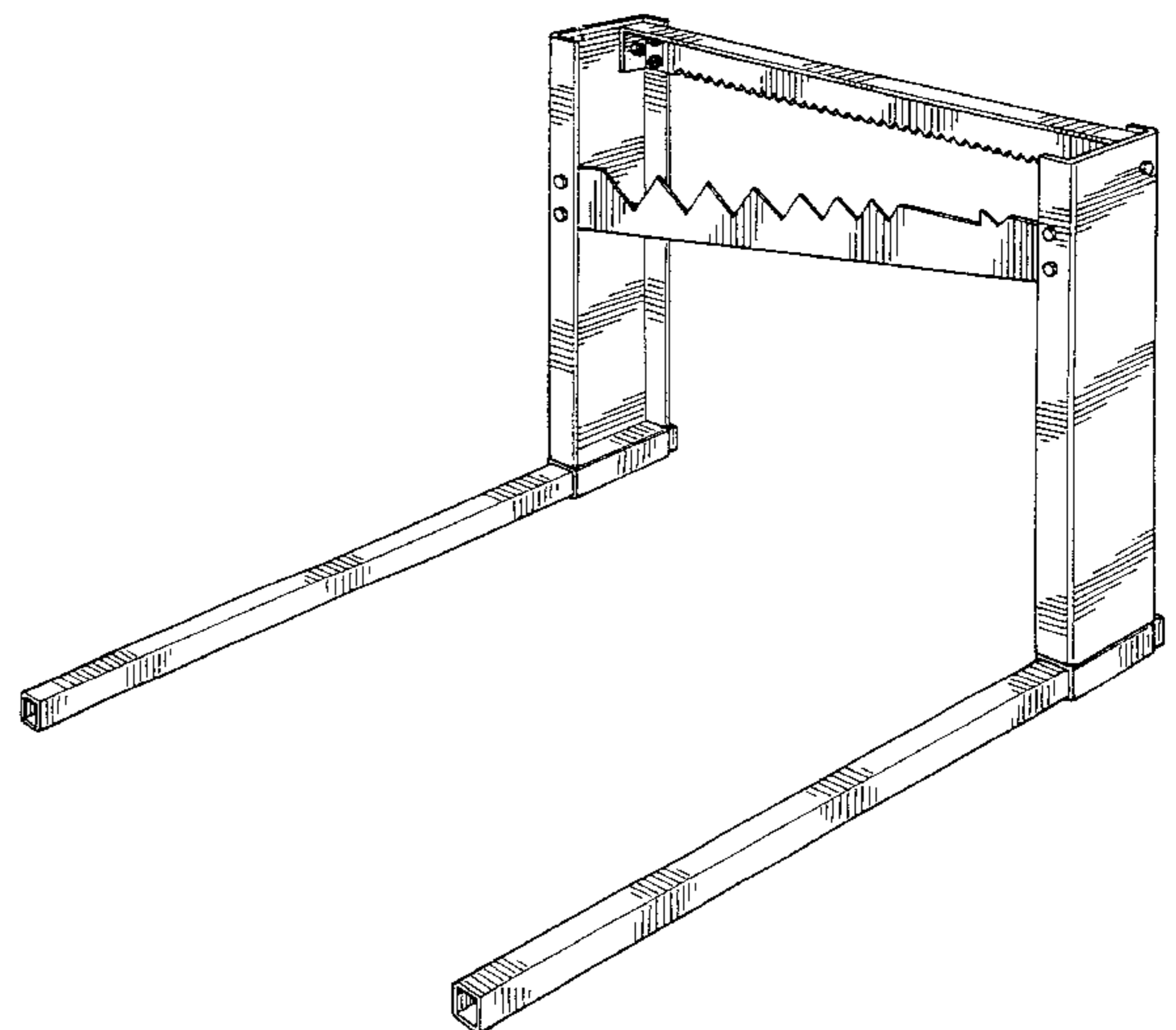
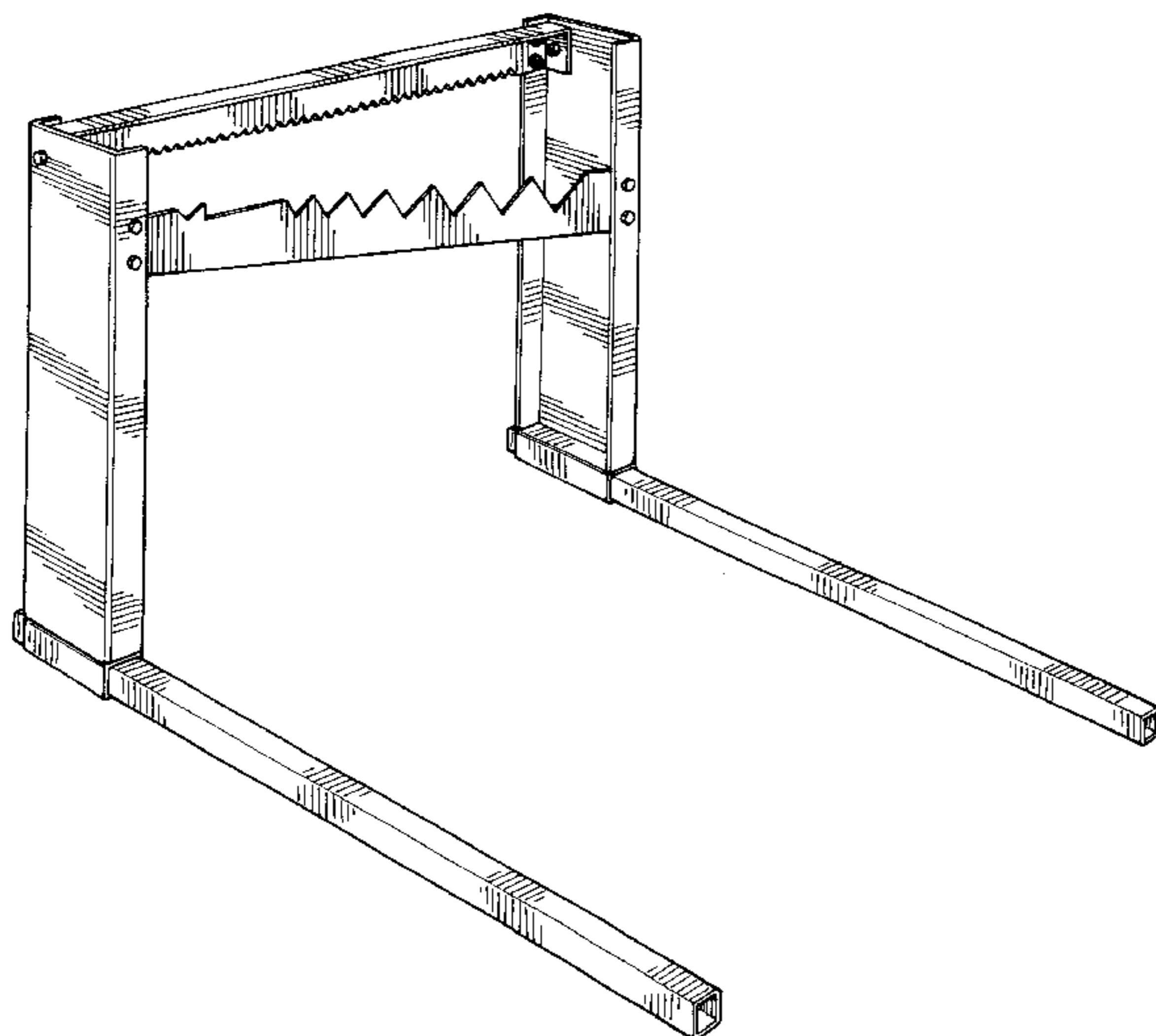
(57) **CLAIM**

The ornamental design for a workholding jaw, as shown and described.

DESCRIPTION

FIG. 1 is a perspective front view of a workholding jaw showing a first embodiment of my new design;
 FIG. 2 is a front elevational view thereof;
 FIG. 3 is a right side elevational view thereof, the left side elevational view being a mirror image of the right side elevational view;
 FIG. 4 is a top plan view thereof;
 FIG. 5 is a rear elevational view thereof;
 FIG. 6 is a bottom plan view thereof;
 FIG. 7 is a perspective front view of a workholding jaw showing a second embodiment of my new design;
 FIG. 8 is a front elevational view of the second embodiment;
 FIG. 9 is a right side elevational view the second embodiment, the left side elevational view being a mirror image of the right side elevational view;
 FIG. 10 is a top plan view of the second embodiment;
 FIG. 11 is a rear elevational view of the second embodiment;
 and,
 FIG. 12 is a bottom plan view of the second embodiment.
 The broken line showing of the teeth of blades is for illustrative purposes only and forms no part of the claimed design.

1 Claim, 6 Drawing Sheets



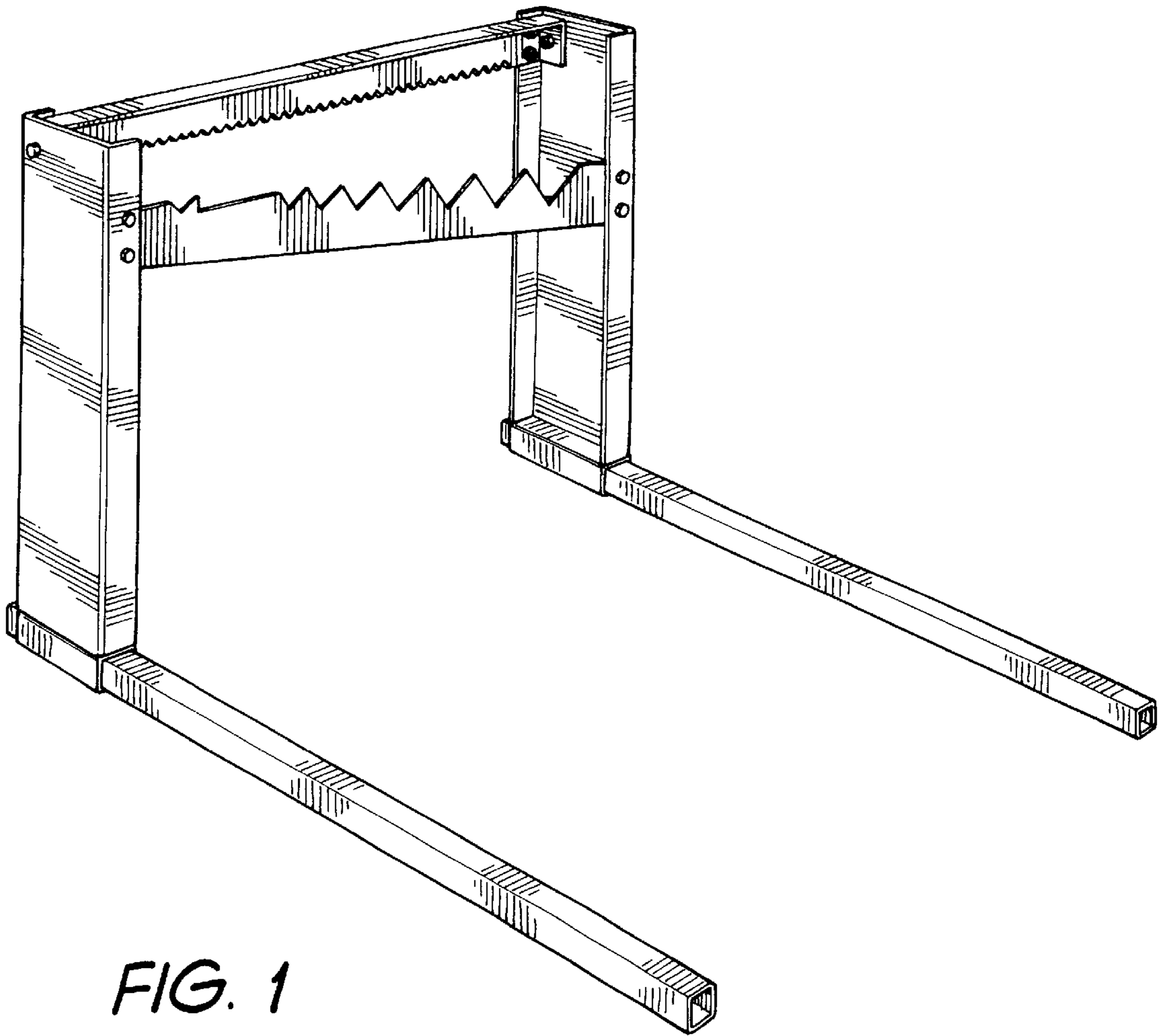


FIG. 1

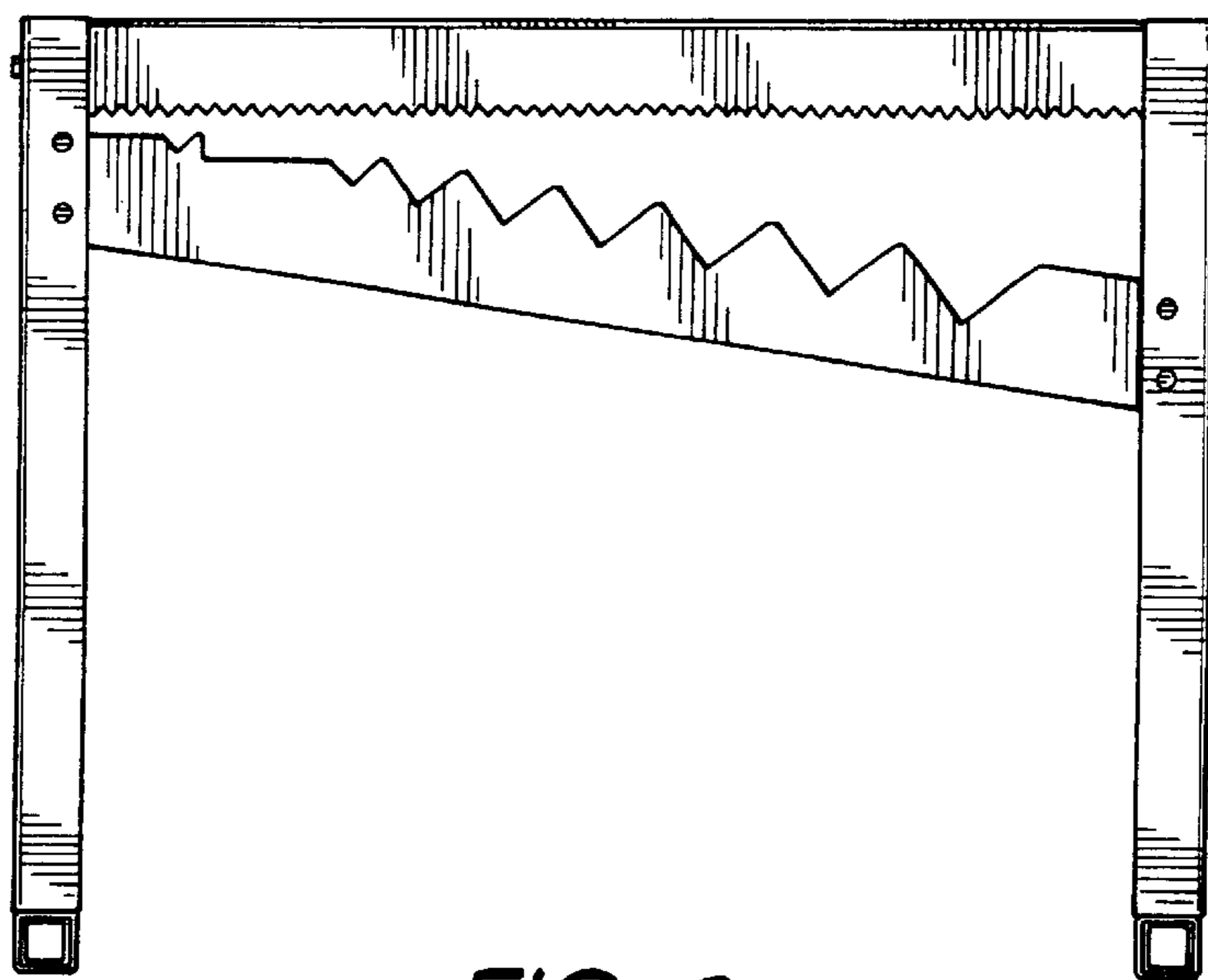


FIG. 2

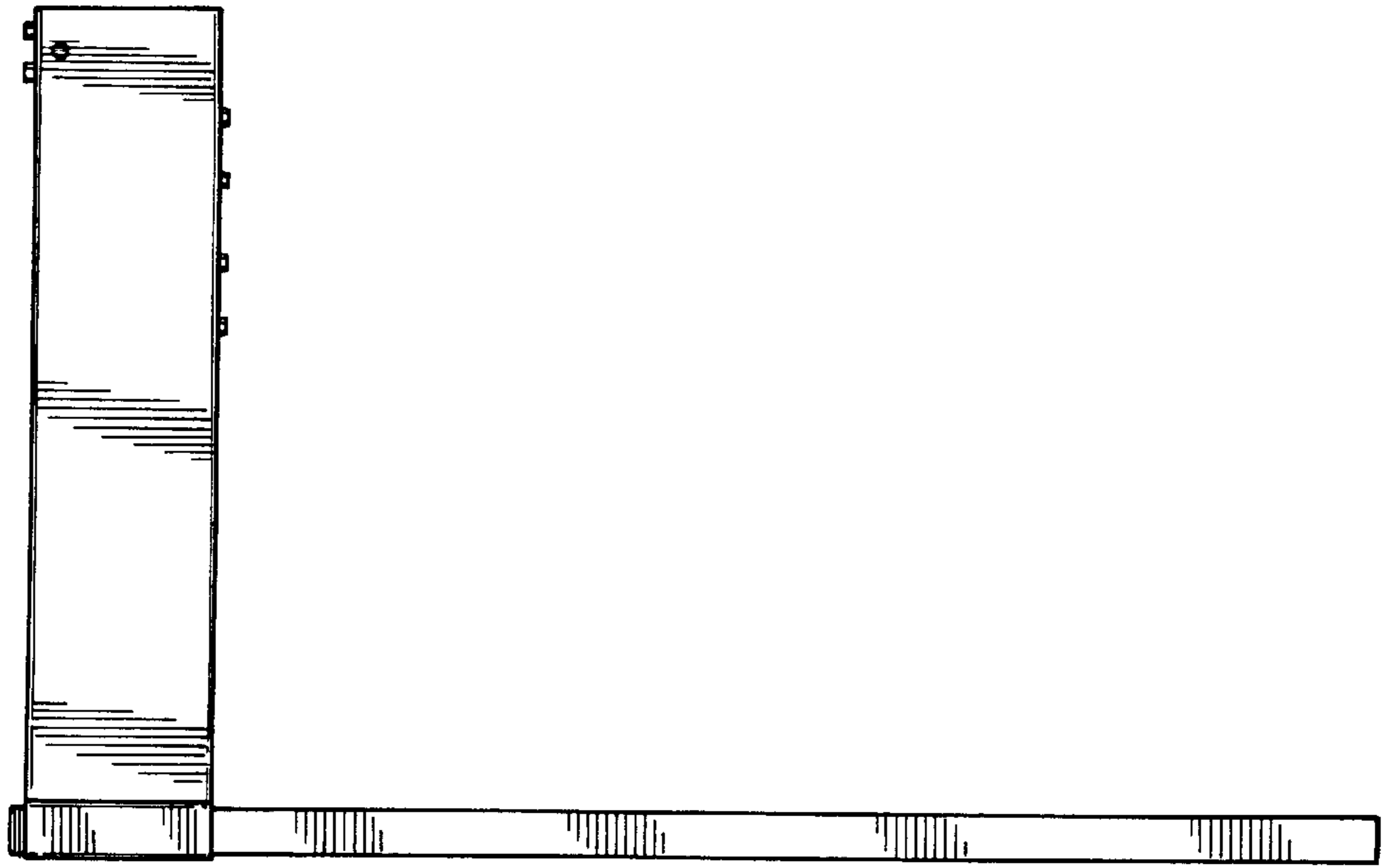


FIG. 3

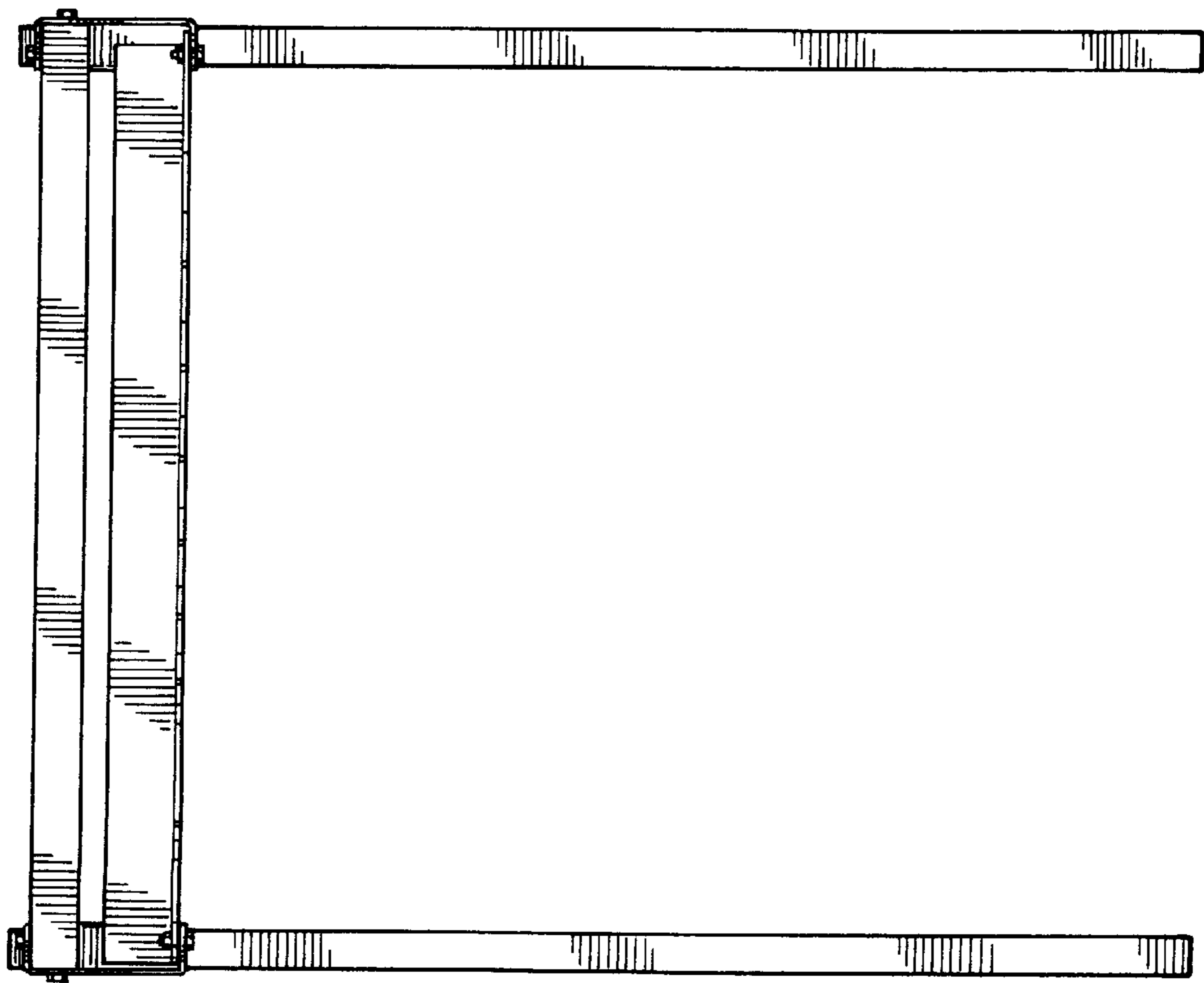


FIG. 4

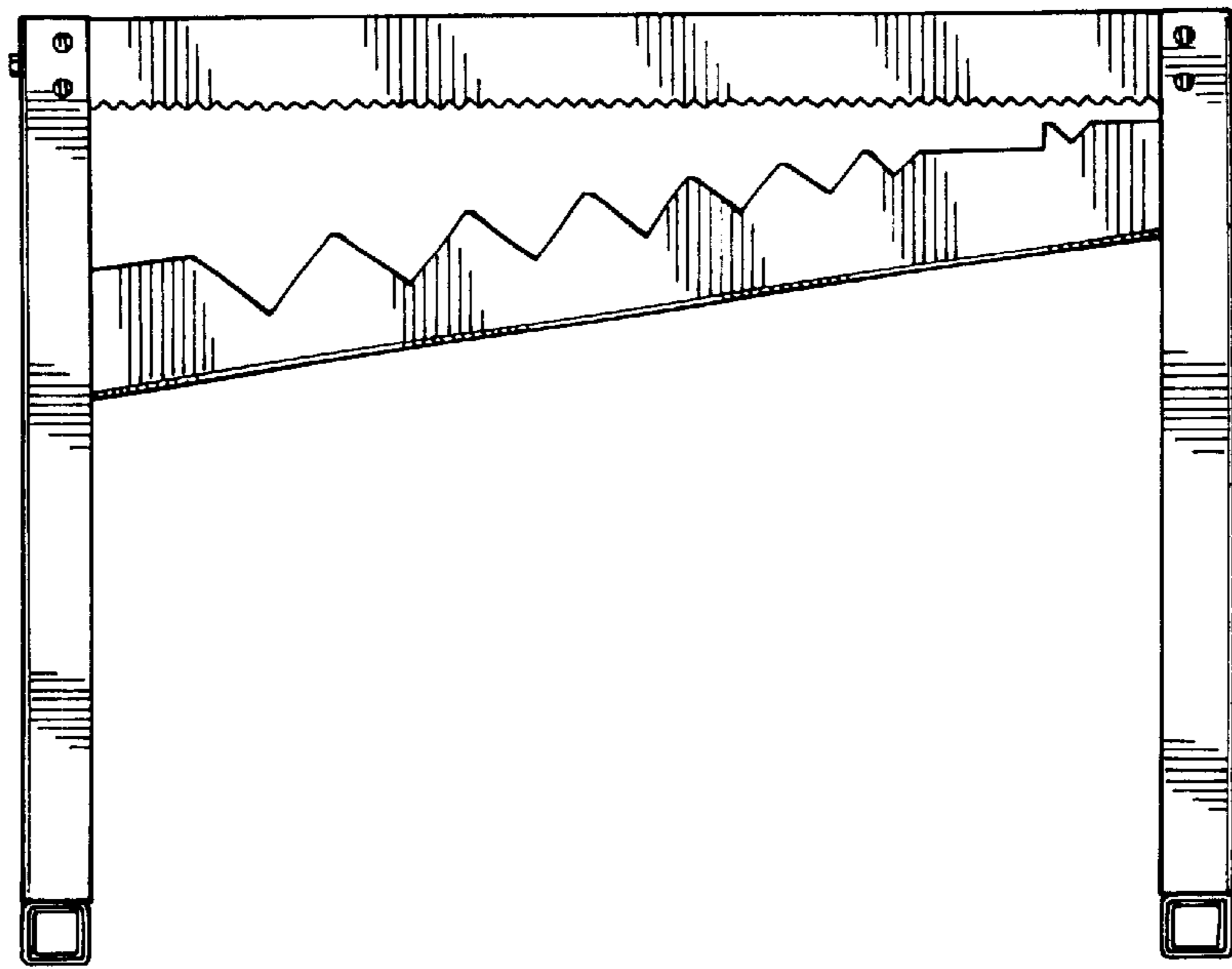


FIG. 5

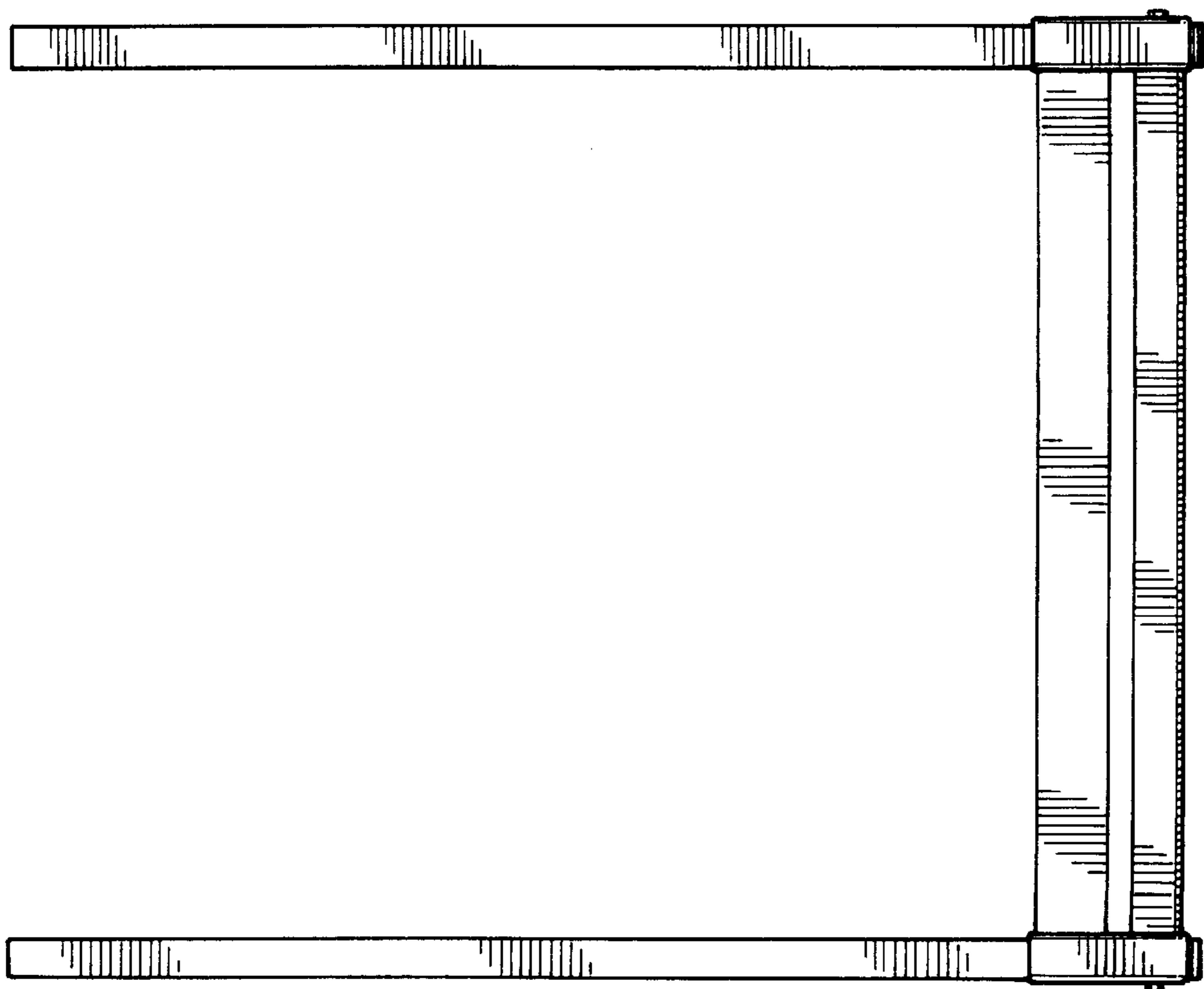
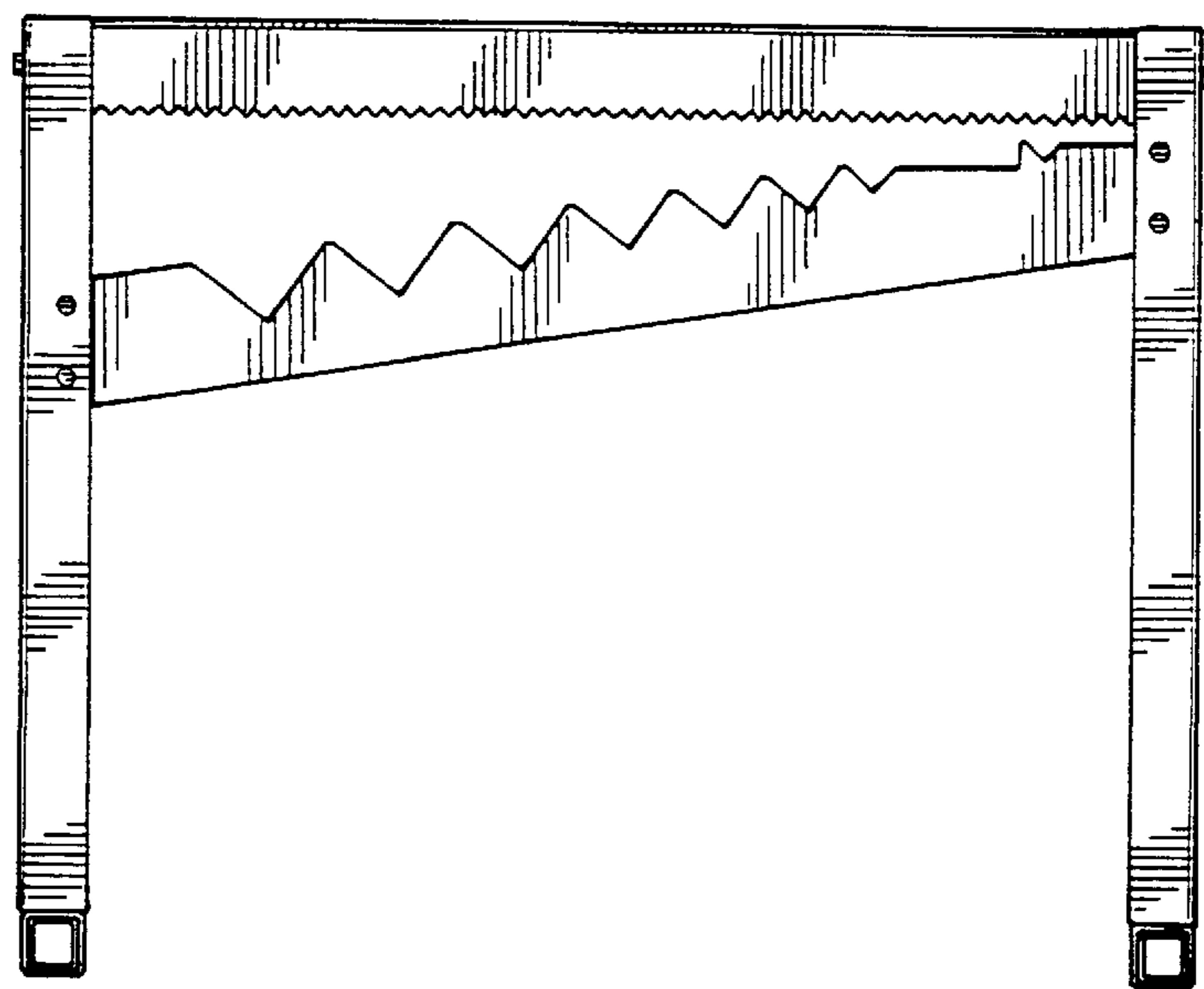
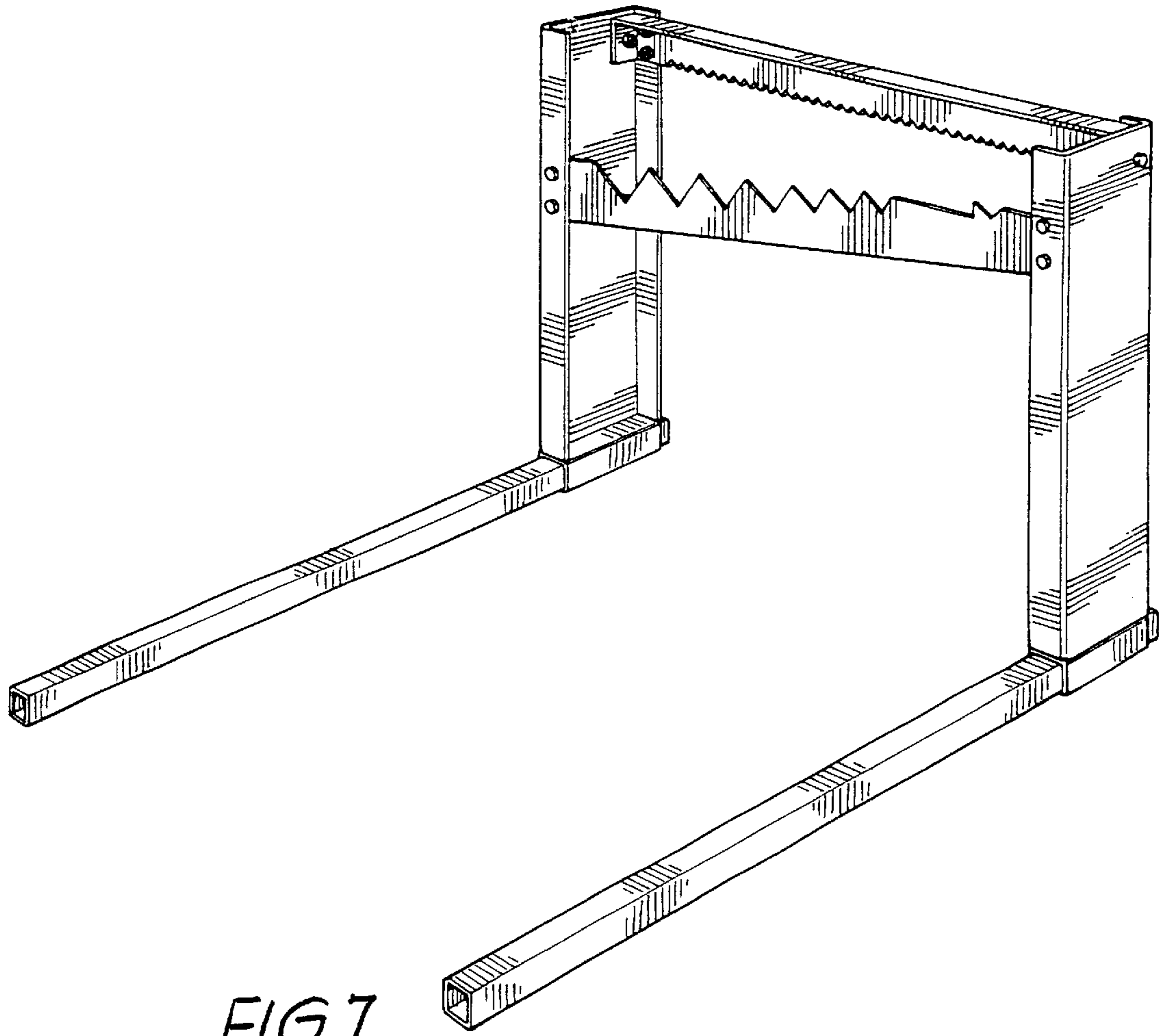


FIG. 6



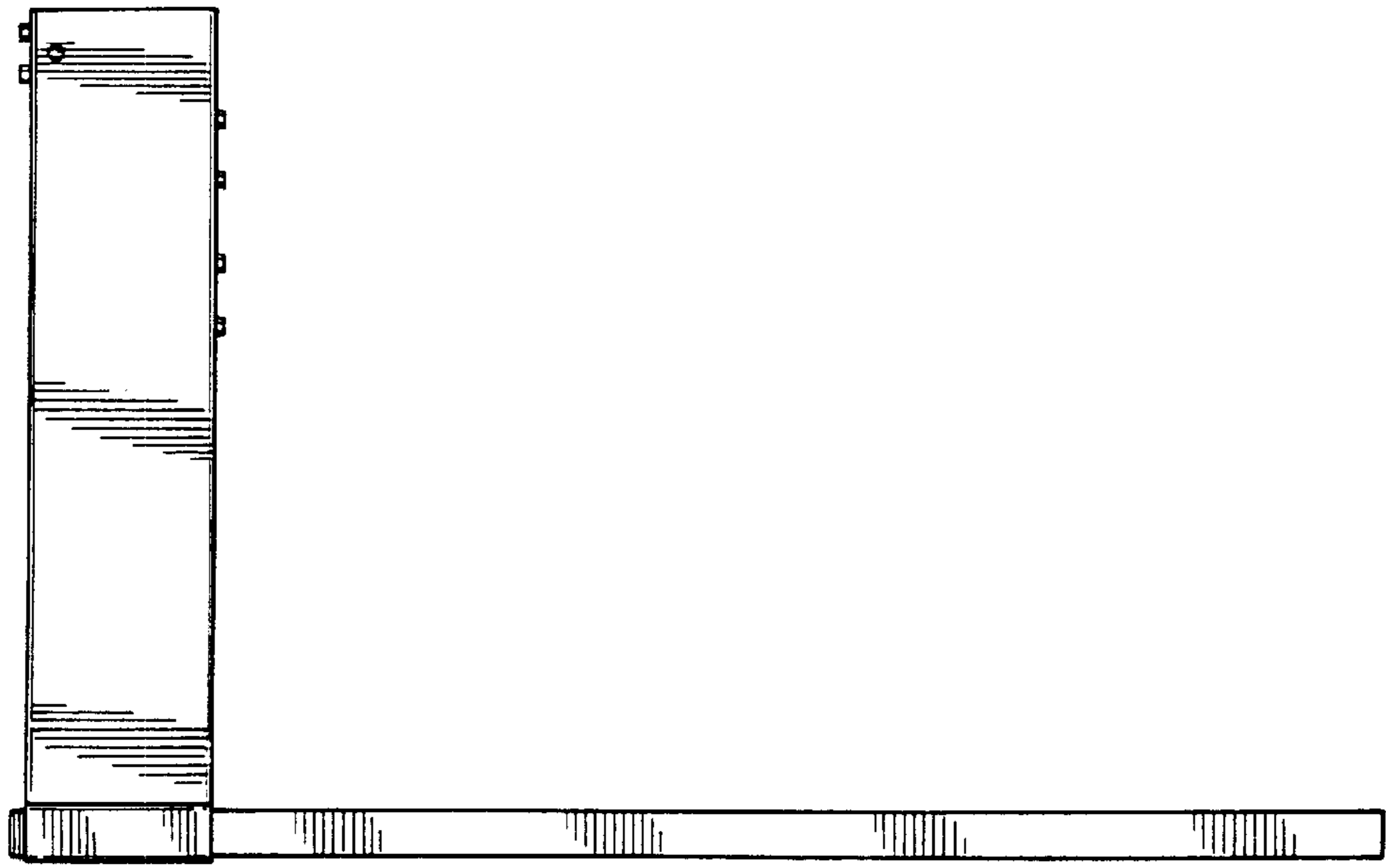


FIG. 9

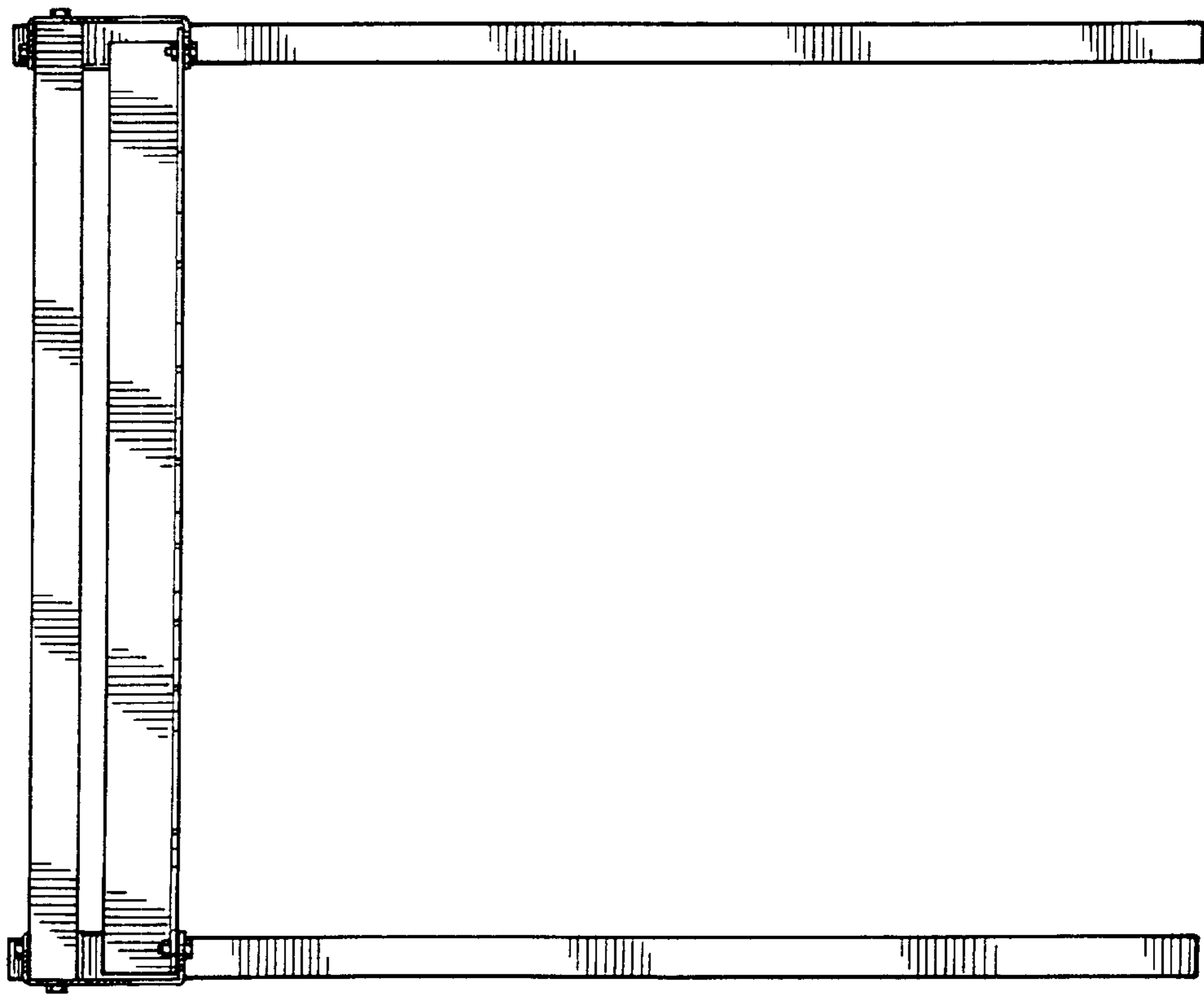


FIG. 10

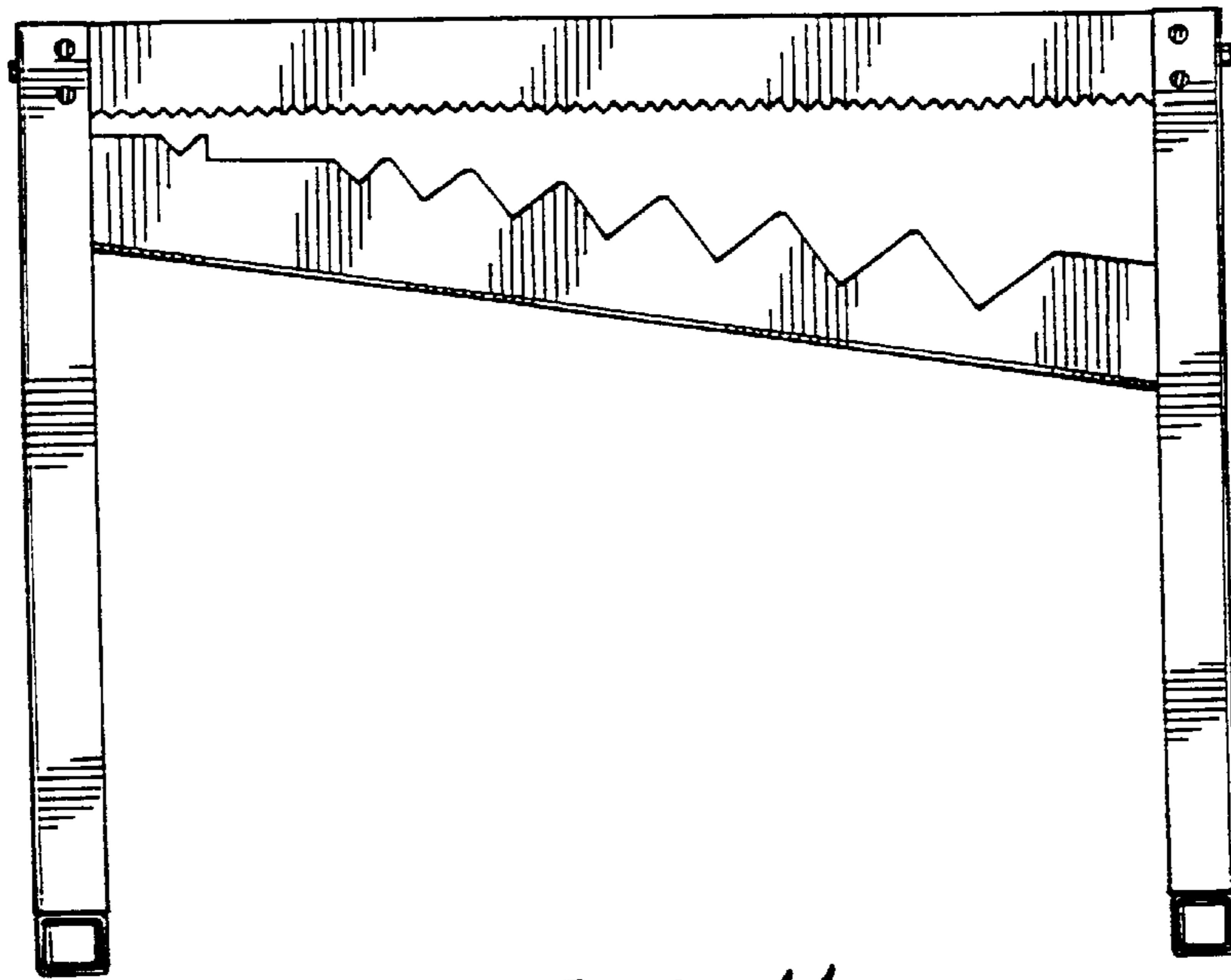


FIG 11

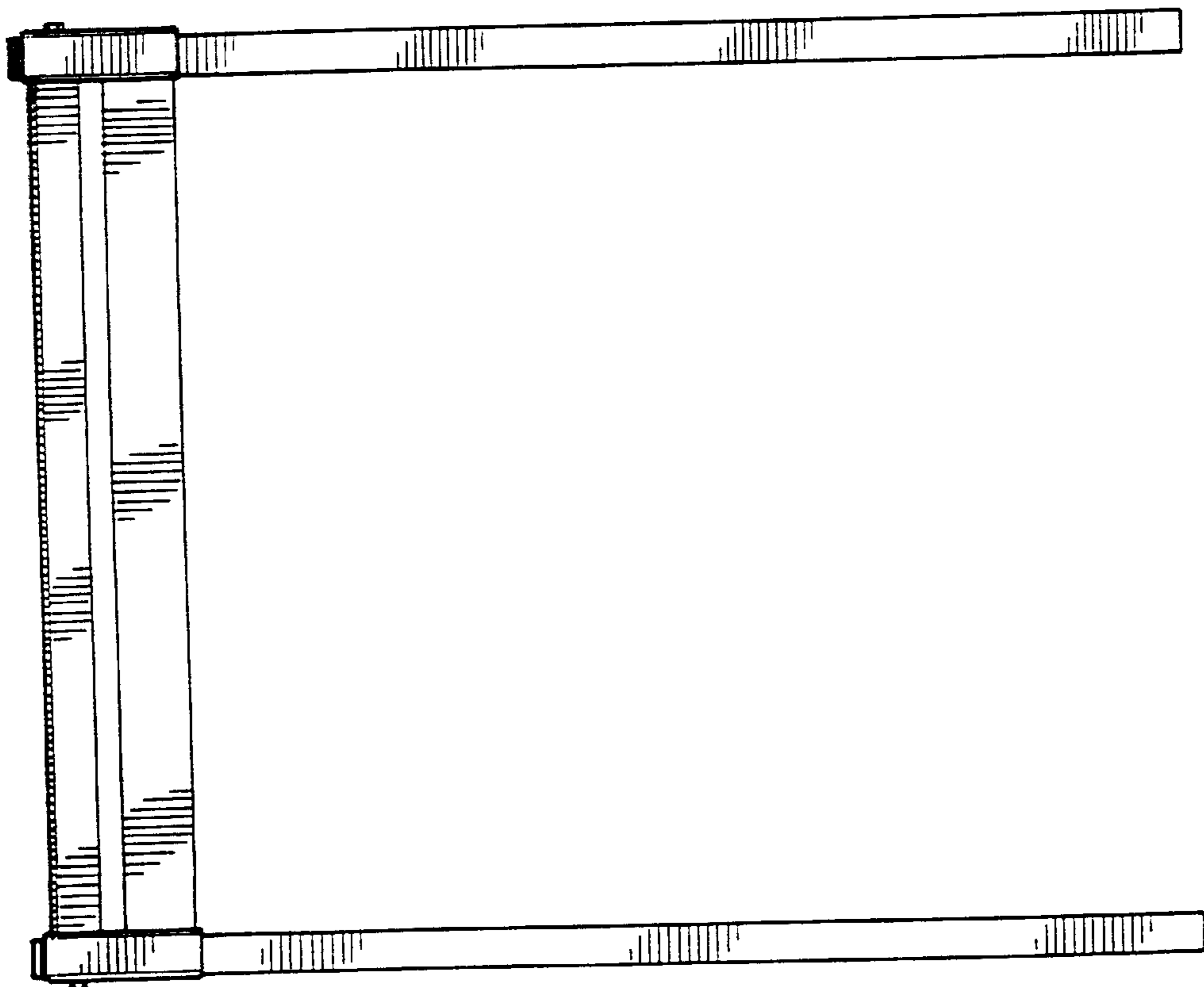


FIG 12