



US00D458825S

(12) **United States Design Patent**  
**Keller et al.**

(10) **Patent No.:** **US D458,825 S**  
(45) **Date of Patent:** **\*\* Jun. 18, 2002**

(54) **TUCK-POINTING SYSTEM**

(75) Inventors: **David V. Keller**, Jackson; **Michael K. Taylor**, Gadsden, both of TN (US)

(73) Assignee: **Porter-Cable Corporation**, Jackson, TN (US)

(\*\*) Term: **14 Years**

(21) Appl. No.: **29/125,851**

(22) Filed: **Jun. 30, 2000**

(51) **LOC (7) Cl.** ..... **08-05**

(52) **U.S. Cl.** ..... **D8/70**

(58) **Field of Search** ..... D8/61, 62, 63,  
D8/64, 65, 66, 67, 68, 69, 70; 30/123.3;  
81/54, 57.11, 57.42; 173/48, 109, 170;  
227/2, 8, 10, 111, 112, 113, 114, 115, 116,  
120, 123, 130, 131, 136, 142, 151; 451/451,  
356; 222/239

(56) **References Cited**

**U.S. PATENT DOCUMENTS**

828,706 A	8/1906	Bohling et al.	
963,437 A *	7/1910	Hassel .....	451/451
1,638,459 A *	8/1927	Ritz .....	451/451
3,646,712 A	3/1972	Quintana	
3,818,648 A	6/1974	Evans	
3,835,595 A	9/1974	Oshima et al.	
3,876,015 A	4/1975	Kivela	
3,969,856 A	7/1976	Zerrer	
4,024,633 A	5/1977	Stucker	
4,058,936 A	11/1977	Marton	
4,059,930 A	11/1977	Alessio	
4,065,886 A	1/1978	Harwood et al.	
4,125,968 A	11/1978	Mackey	
4,294,046 A	10/1981	Damiano	
4,311,258 A	1/1982	Bradshaw	
4,330,967 A	5/1982	Richardson	
4,400,995 A	8/1983	Palm	
4,434,586 A	3/1984	Müller et al.	
4,462,381 A	7/1984	Fushiya et al.	
4,574,532 A	3/1986	Häberle et al.	
4,581,966 A	4/1986	Kaiser et al.	

D284,546 S *	7/1986	Kawakami et al. ....	D8/62
D288,768 S *	3/1987	Karden et al. ....	D8/67
4,735,020 A	4/1988	Schulz et al.	
4,848,001 A	7/1989	Clark et al.	
4,875,398 A	10/1989	Taylor et al.	
4,891,915 A	1/1990	Yasuda	
4,924,635 A	5/1990	Rudolf et al.	
4,932,164 A	6/1990	Sullivan et al.	
4,955,162 A	9/1990	Jackson	
4,974,578 A	12/1990	Charles et al.	
4,989,374 A	2/1991	Rudolf et al.	
5,005,321 A	4/1991	Barth et al.	
5,031,325 A	7/1991	Walter et al.	

(List continued on next page.)

**OTHER PUBLICATIONS**

Makita grinder accessories, wheel guards, various models and sizes, p. 143.\*

*Primary Examiner*—Doris V. Coles

*Assistant Examiner*—T. Chase Nelson

(74) *Attorney, Agent, or Firm*—Merchant & Gould P.C.

(57) **CLAIM**

The ornamental design for a tuck-pointing system, as shown and described.

**DESCRIPTION**

FIG. 1 is a top perspective view of a tuck-pointing system; FIG. 2 is a front elevational view of the tuck-pointing system shown in FIG. 1.

FIG. 3 is a rear elevational view of the tuck-pointing system shown in FIG. 1.

FIG. 4 is a right side elevational view of the tuck-pointing system shown in FIG. 1.

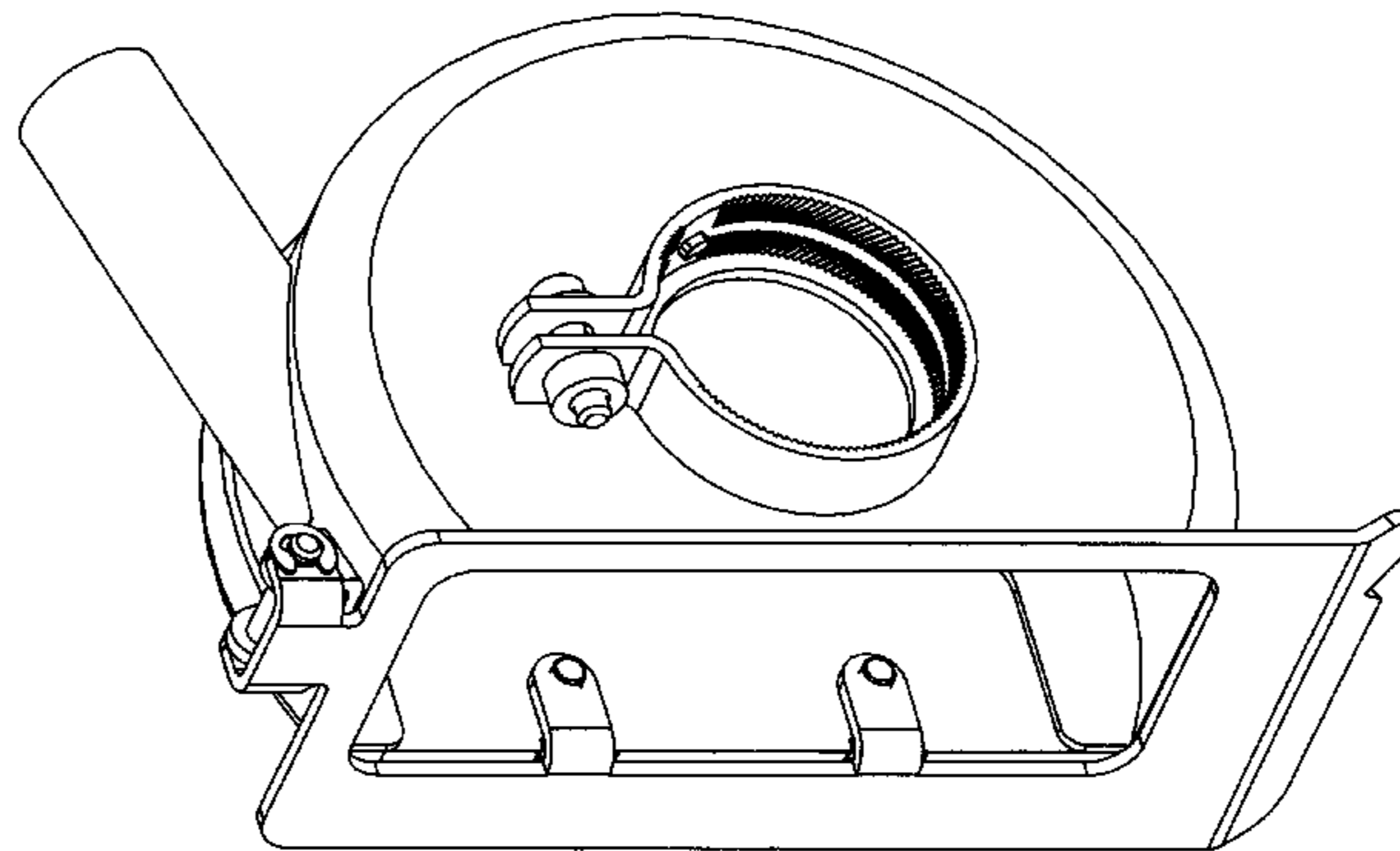
FIG. 5 is a left side elevational view of the tuck-pointing system shown in FIG. 1.

FIG. 6 is a top plan view of the tuck-pointing system shown in FIG. 1.

FIG. 7 is a bottom plan view of the tuck-pointing system shown in FIG. 1; and,

FIG. 8 is a bottom perspective view of the tuck-pointing system shown in FIG. 1.

**1 Claim, 7 Drawing Sheets**



# US D458,825 S

Page 2

## U.S. PATENT DOCUMENTS

5,031,364 A	7/1991	Belanger	5,466,183 A	11/1995	Kirn et al.
5,038,523 A	8/1991	Farber et al.	5,527,207 A	6/1996	Azar et al.
5,054,658 A	10/1991	Aronie	5,531,147 A	7/1996	Serban
5,071,427 A	12/1991	Stahl	5,558,569 A	9/1996	Lee
D323,100 S *	1/1992	Pastore ..... D8/62	5,558,571 A	9/1996	Toyoshima et al.
5,077,942 A	1/1992	Jacobsson	D376,526 S *	12/1996	Hepburn ..... D8/70
5,125,189 A	6/1992	Holmin et al.	5,624,305 A	4/1997	Brown
5,138,735 A	8/1992	Kusz et al.	5,637,035 A	6/1997	Yee
5,140,754 A *	8/1992	Martenson ..... 451/451	5,679,066 A	10/1997	Butz et al.
5,207,028 A	5/1993	Timmons	5,681,214 A	10/1997	Kleider et al.
5,218,790 A	6/1993	Huang	5,713,785 A *	2/1998	Nishio ..... 451/451
5,263,283 A	11/1993	Rudolf et al.	5,733,183 A	3/1998	Schierling et al.
D351,772 S *	10/1994	Price ..... D8/62	5,766,062 A	6/1998	Edling
5,384,985 A	1/1995	Jacobsson	5,794,300 A	8/1998	McCracken et al.
5,386,667 A	2/1995	Häusslein et al.	5,839,359 A	11/1998	Gardner
5,396,706 A	3/1995	Fajnsztajn	5,839,950 A	11/1998	Johansson Edling et al.
5,398,456 A	3/1995	Kleider	D407,617 S *	4/1999	Cooper et al. .... D8/70
5,407,381 A	4/1995	Schaefer et al.	5,940,976 A	8/1999	Söderqvist et al.
5,411,433 A	5/1995	Keller	6,012,614 A	1/2000	Stanford
5,440,815 A *	8/1995	Inkster ..... 451/451	D423,898 S *	5/2000	Kelley ..... D8/64

\* cited by examiner

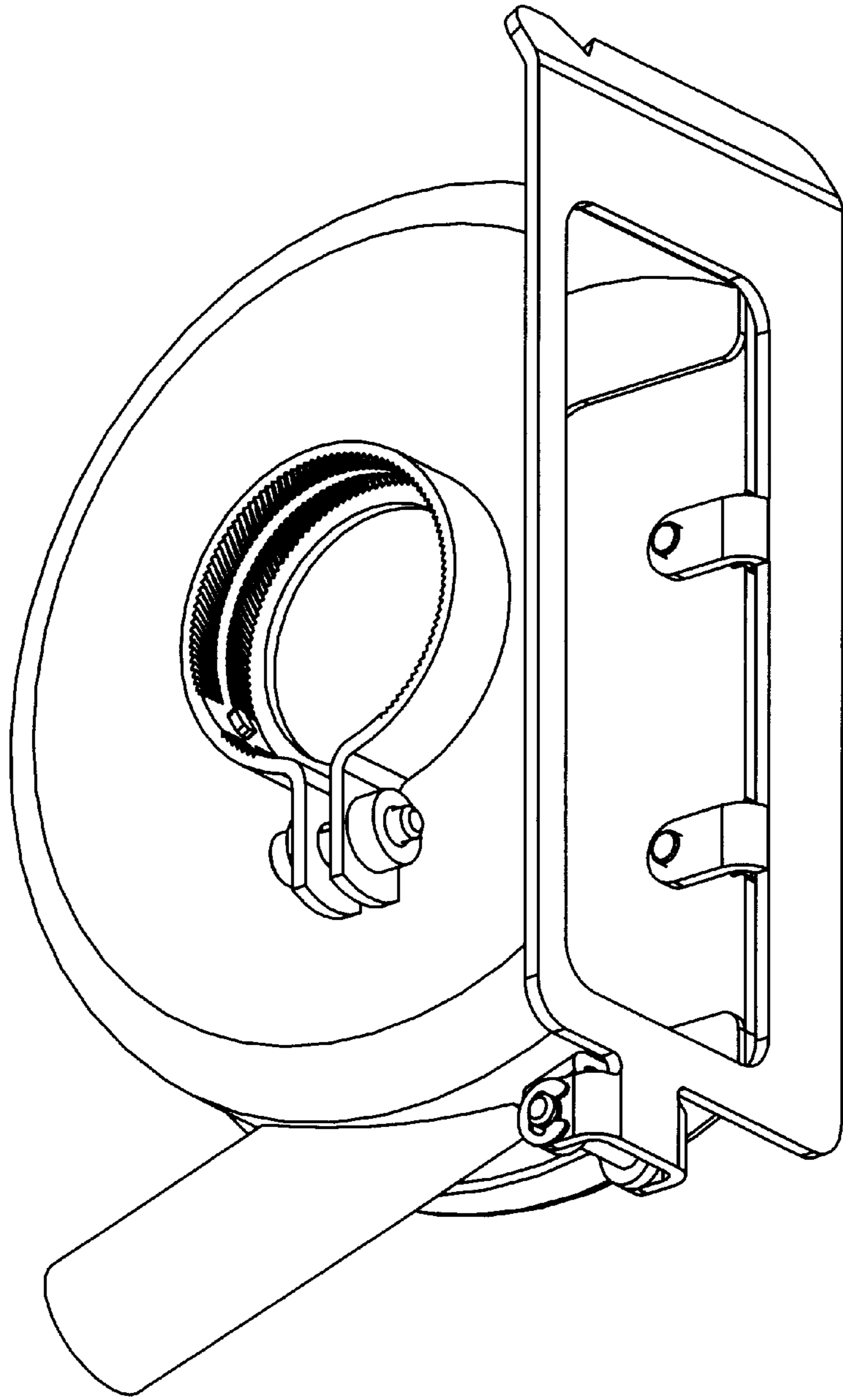


FIG. 1

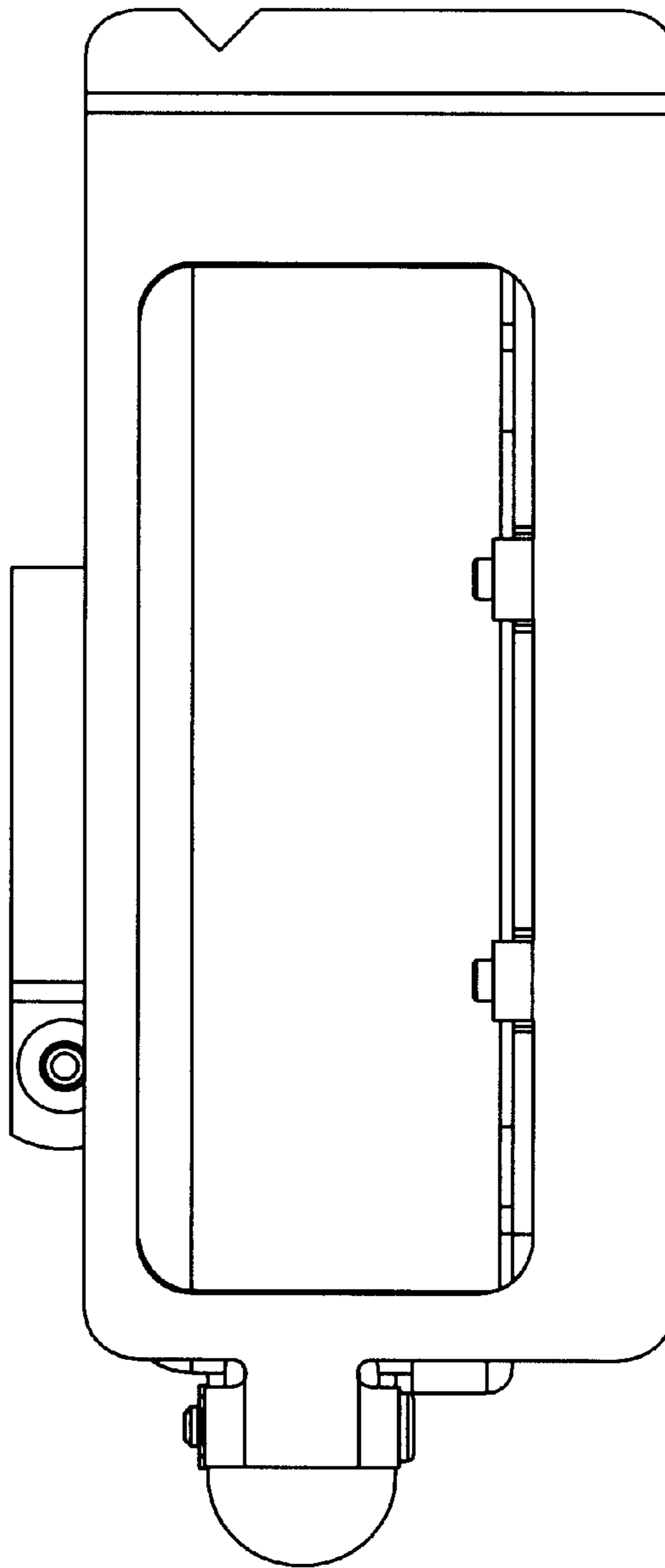


FIG. 2

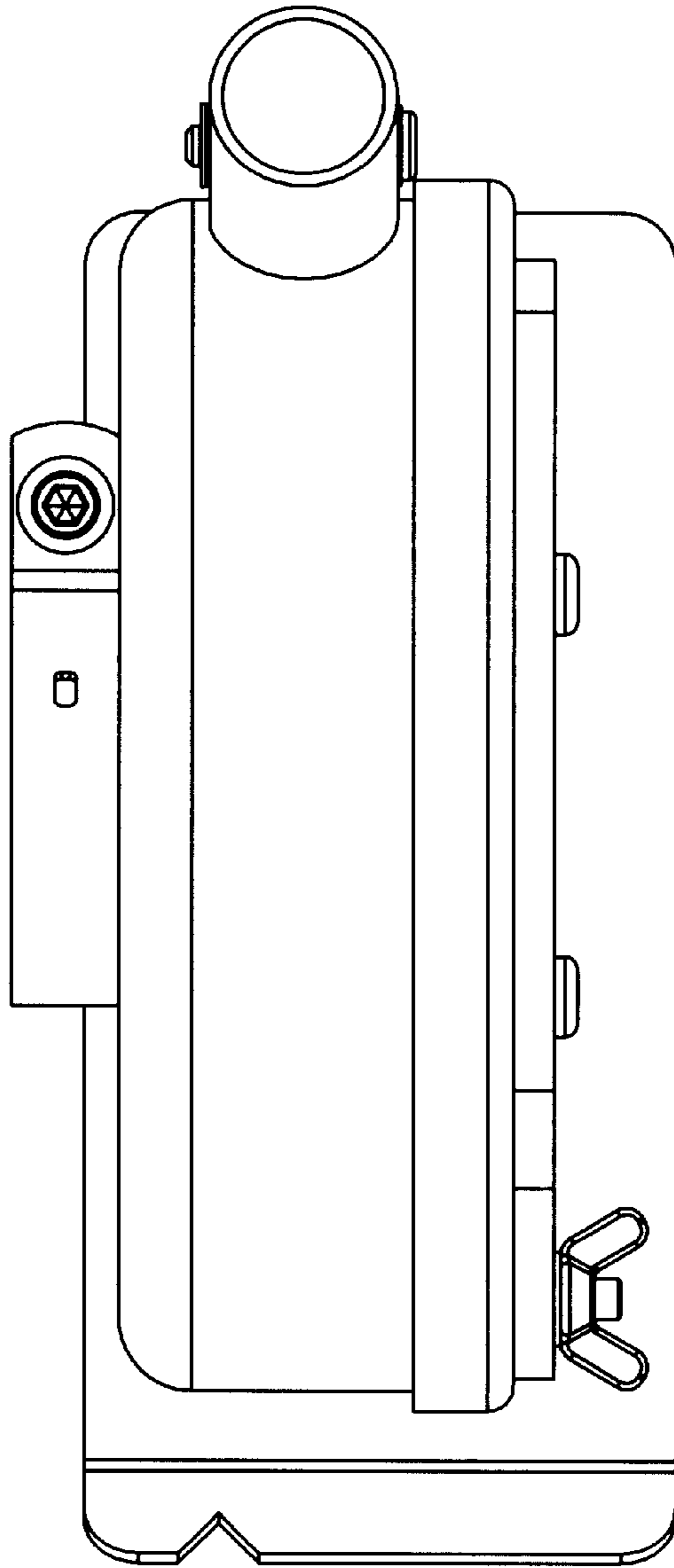


FIG. 3

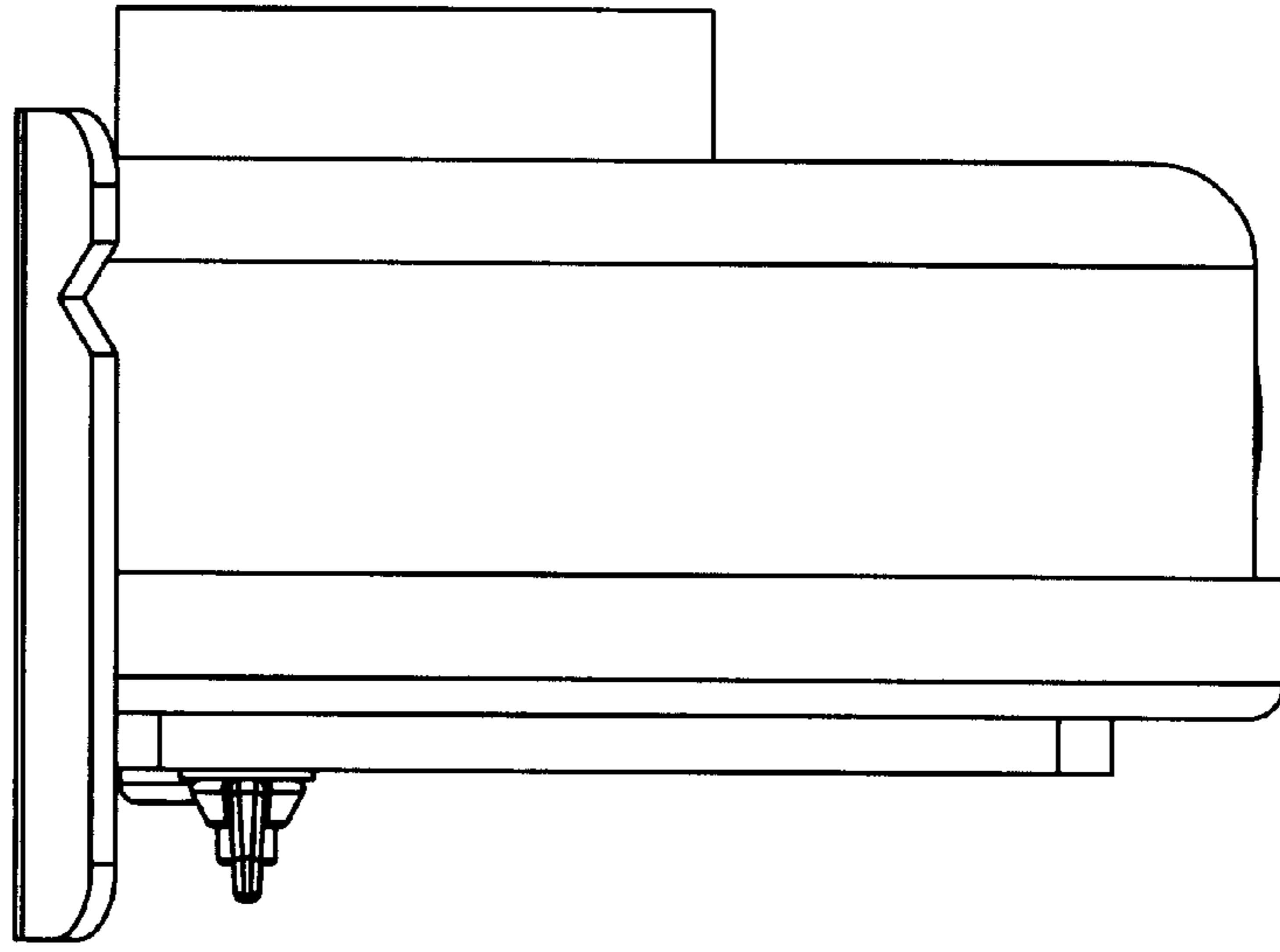


FIG. 4

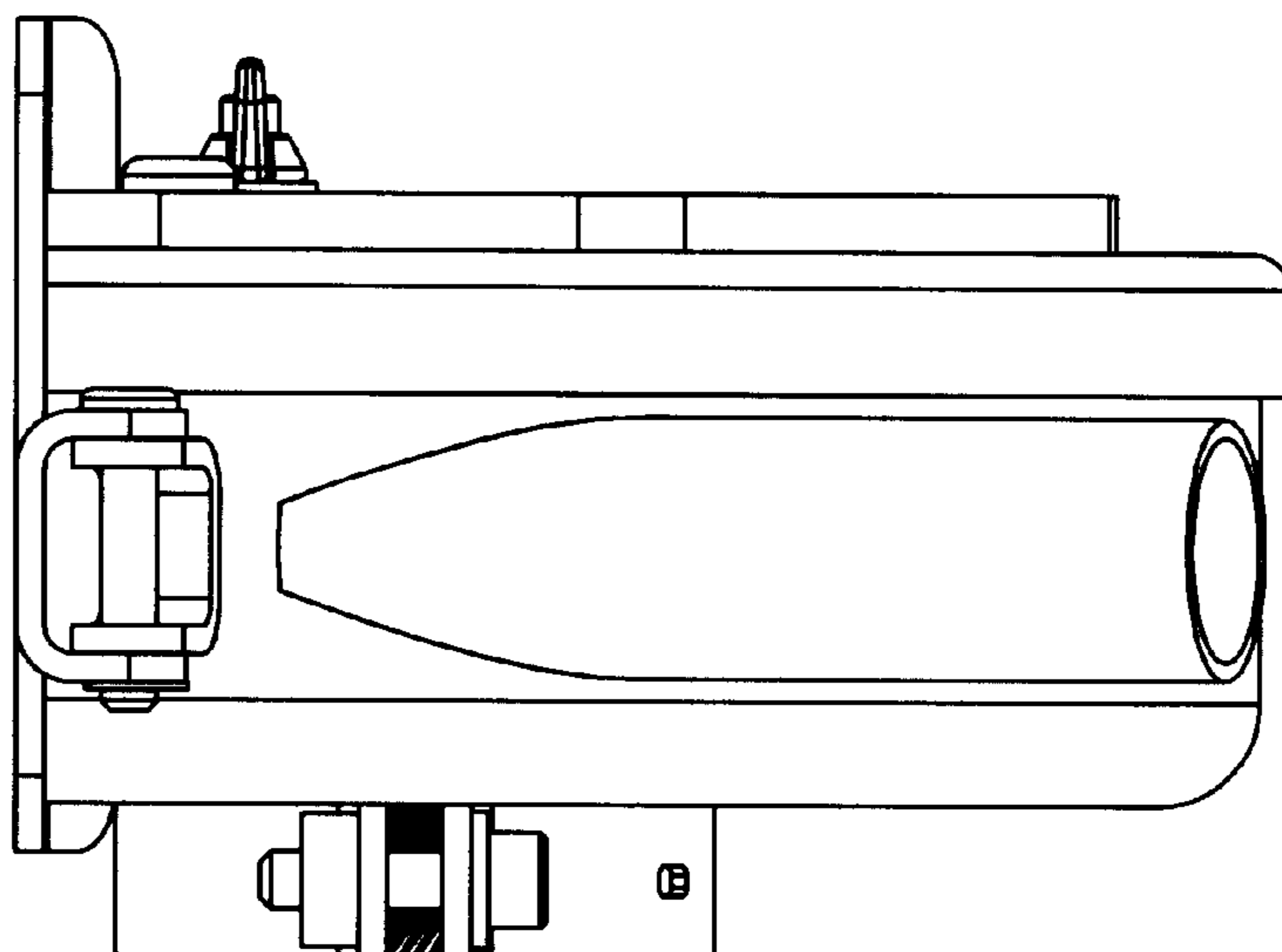


FIG. 5

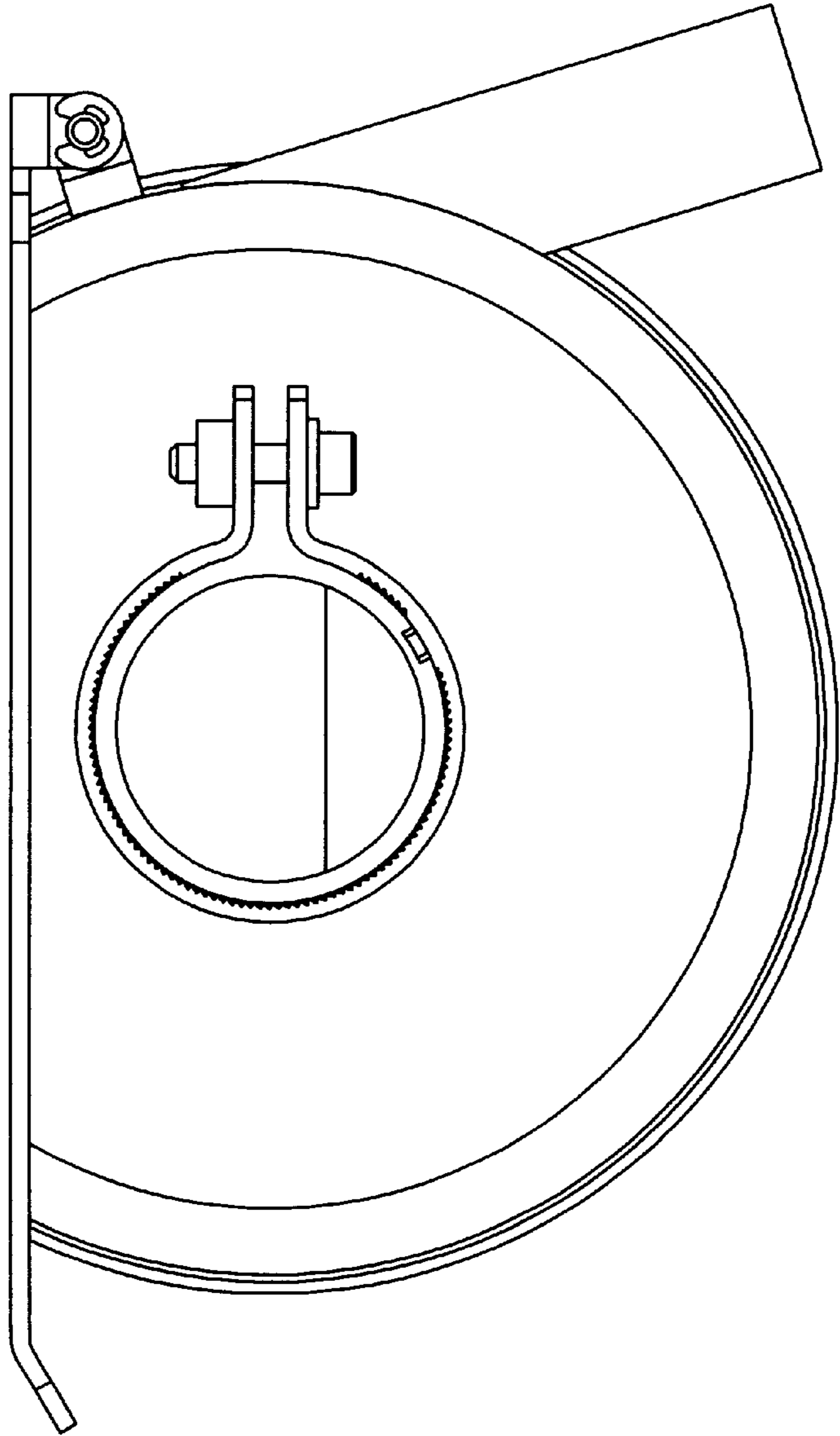


FIG. 6

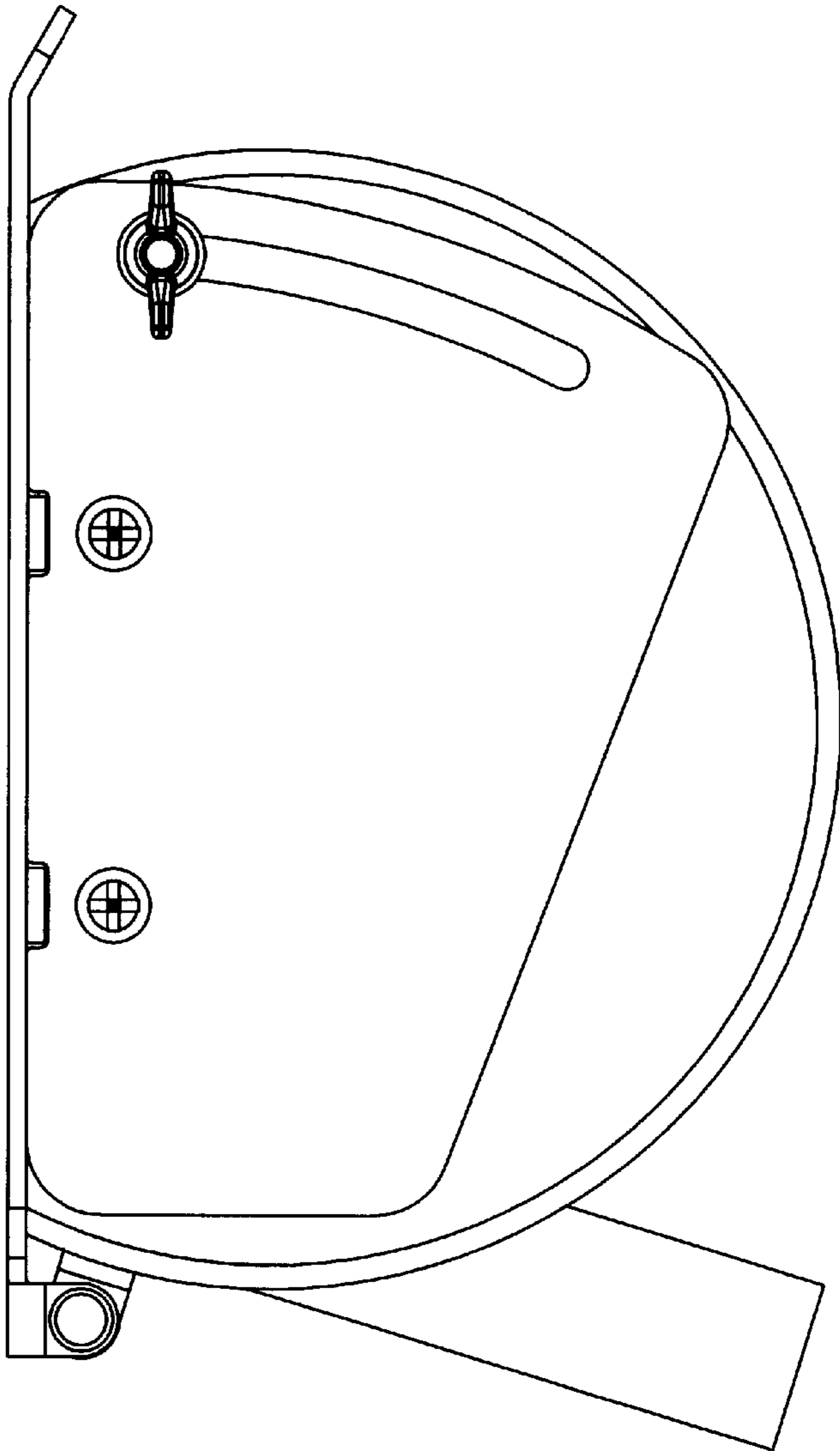


FIG. 7



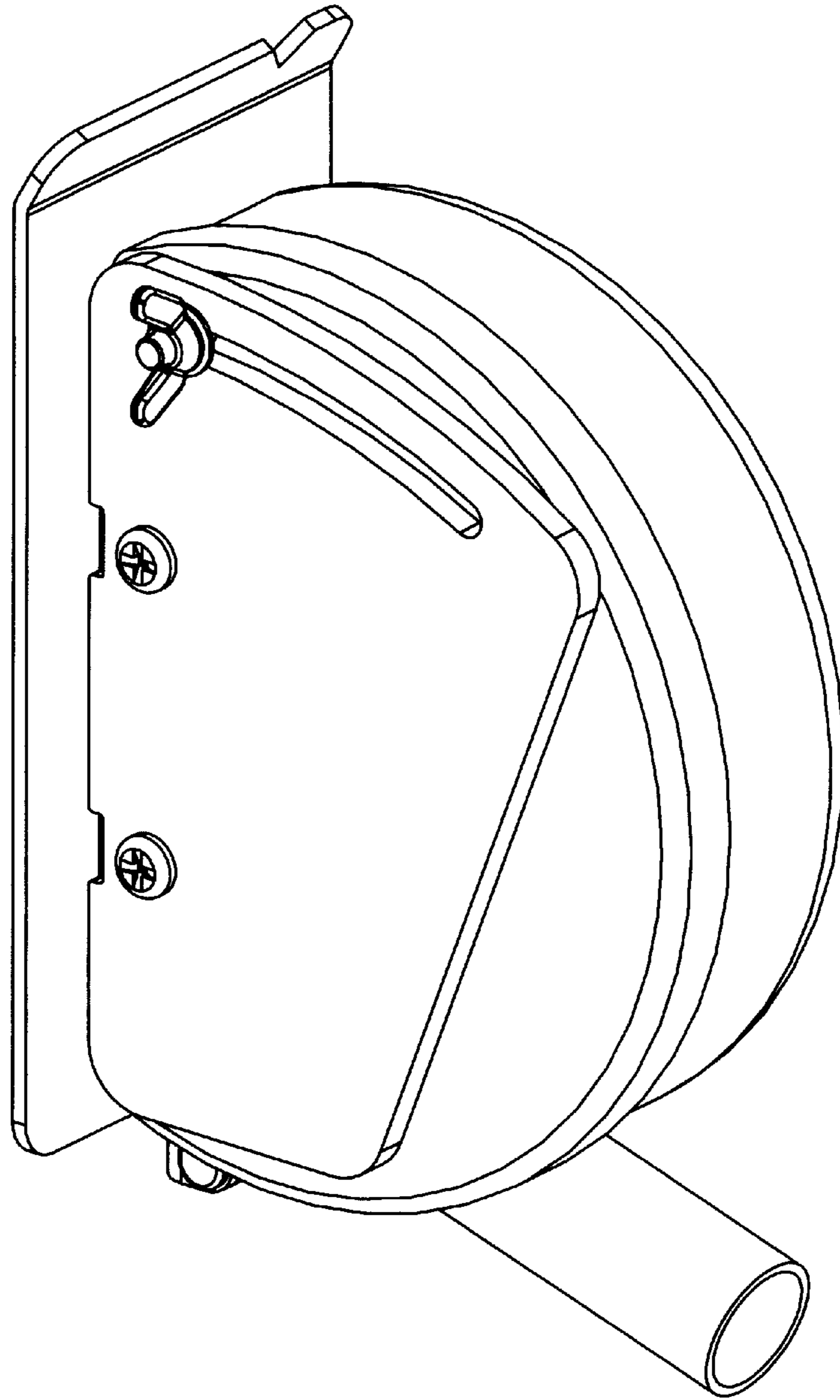


FIG. 8