



US00D458824S

(12) **United States Design Patent**
Chen

(10) **Patent No.:** **US D458,824 S**

(45) **Date of Patent:** **** Jun. 18, 2002**

(54) **PNEUMATIC TOOL**

(76) **Inventor:** **Ting-Yuan Chen**, No. 9, Lane 276,
Alley 37, Sec. 1, Ya Huan Rd., Ta Ya
Hsiang, Taichung Hsien (TW)

(**) **Term:** **14 Years**

(21) **Appl. No.:** **29/144,110**

(22) **Filed:** **Jun. 27, 2001**

(51) **LOC (7) Cl.** **08-05**

(52) **U.S. Cl.** **D8/68**

(58) **Field of Search** D8/49, 61, 62,
D8/63, 64, 65, 66, 67, 68, 69, 70; 16/430;
30/388; 81/52, 54, 55, 57.11, 57.13, 57.14,
57.33, 57.42, 73, 177.1, 177.85, 409, 429,
436, 463, 464, 467, 469, 470, 900, 901,
DIG. 12; 173/13, 15, 19, 47, 48, 81, 93,
93.5, 93.6, 94, 104, 109, 168, 169, 170,
171, 176, 178, 180, 181, 213, 216, 217,
221; 227/2, 8, 10, 66, 111, 112, 113, 114,
115, 120, 130, 136; 400/156, 181; 408/20,
120, 122, 124, 125, 234, 241 R, 241 S;
451/344, 354, 357, 358, 359, 456

(56) **References Cited**

U.S. PATENT DOCUMENTS

3,352,368 A * 11/1967 Maffey, Jr. 173/169
D294,001 S * 2/1988 Greenlee et al. D8/68

D324,801 S * 3/1992 Caskey et al. D8/68
D378,891 S * 4/1997 Sung D8/68
D427,871 S * 7/2000 Price D8/62
6,149,356 A * 11/2000 Chu et al. 81/465
D441,628 S * 5/2001 Bass et al. D8/68

OTHER PUBLICATIONS

Light Assembly air tools, #CP-9525-RSR, Chicago Pneumatic catalogue, p. 23.*

* cited by examiner

Primary Examiner—Doris V. Coles

Assistant Examiner—T. Chase Nelson

(74) *Attorney, Agent, or Firm*—Rosenberg, Klein & Lee

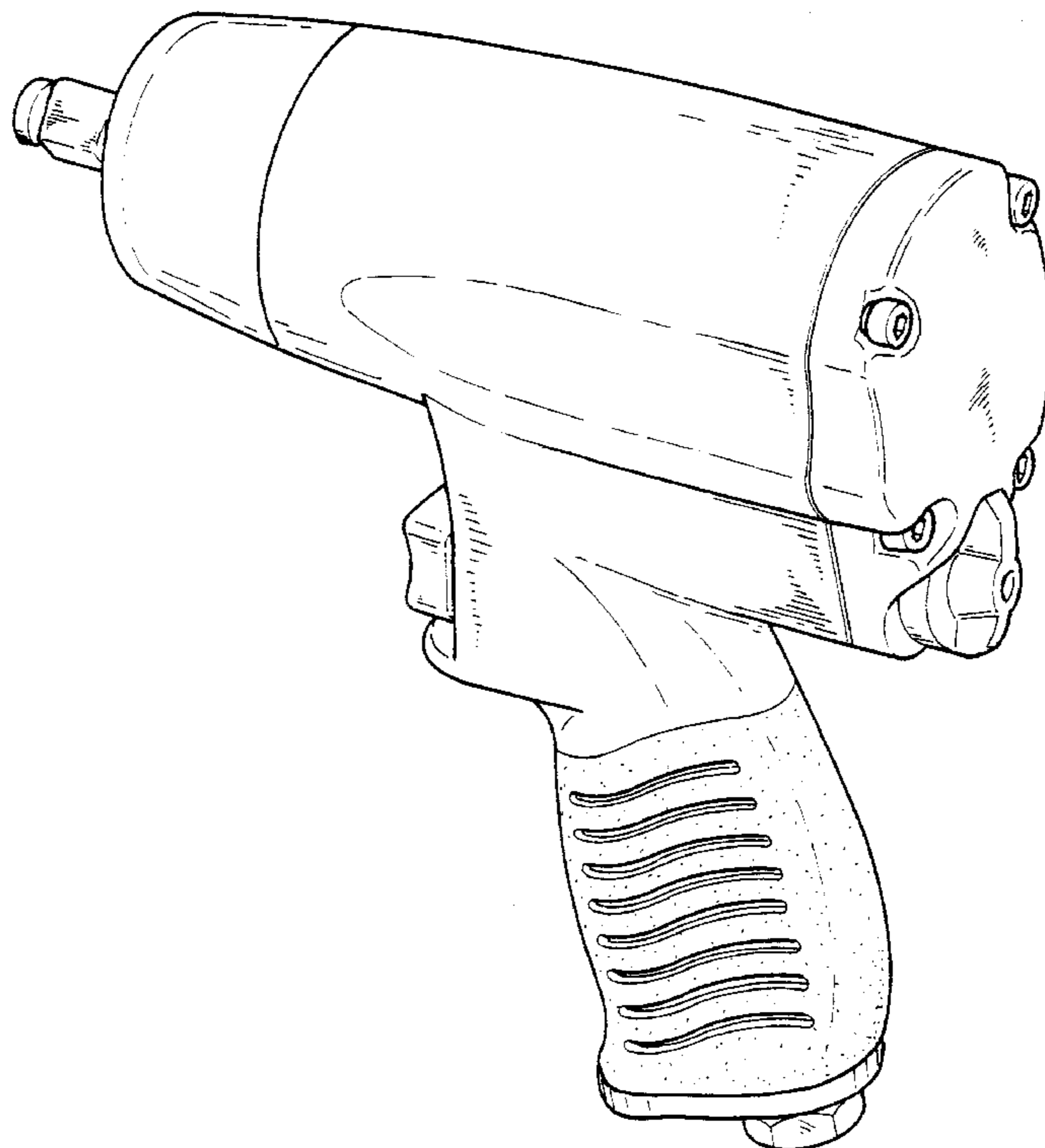
(57) **CLAIM**

The ornamental design for a pneumatic tool, as shown and described.

DESCRIPTION

FIG. 1 is a perspective view of a pneumatic tool, showing my new design;
FIG. 2 is a front elevational view thereof;
FIG. 3 is a rear elevational view thereof;
FIG. 4 is a right side view thereof;
FIG. 5 is a left side view thereof;
FIG. 6 is a top view thereof; and,
FIG. 7 is a bottom view thereof.

1 Claim, 5 Drawing Sheets



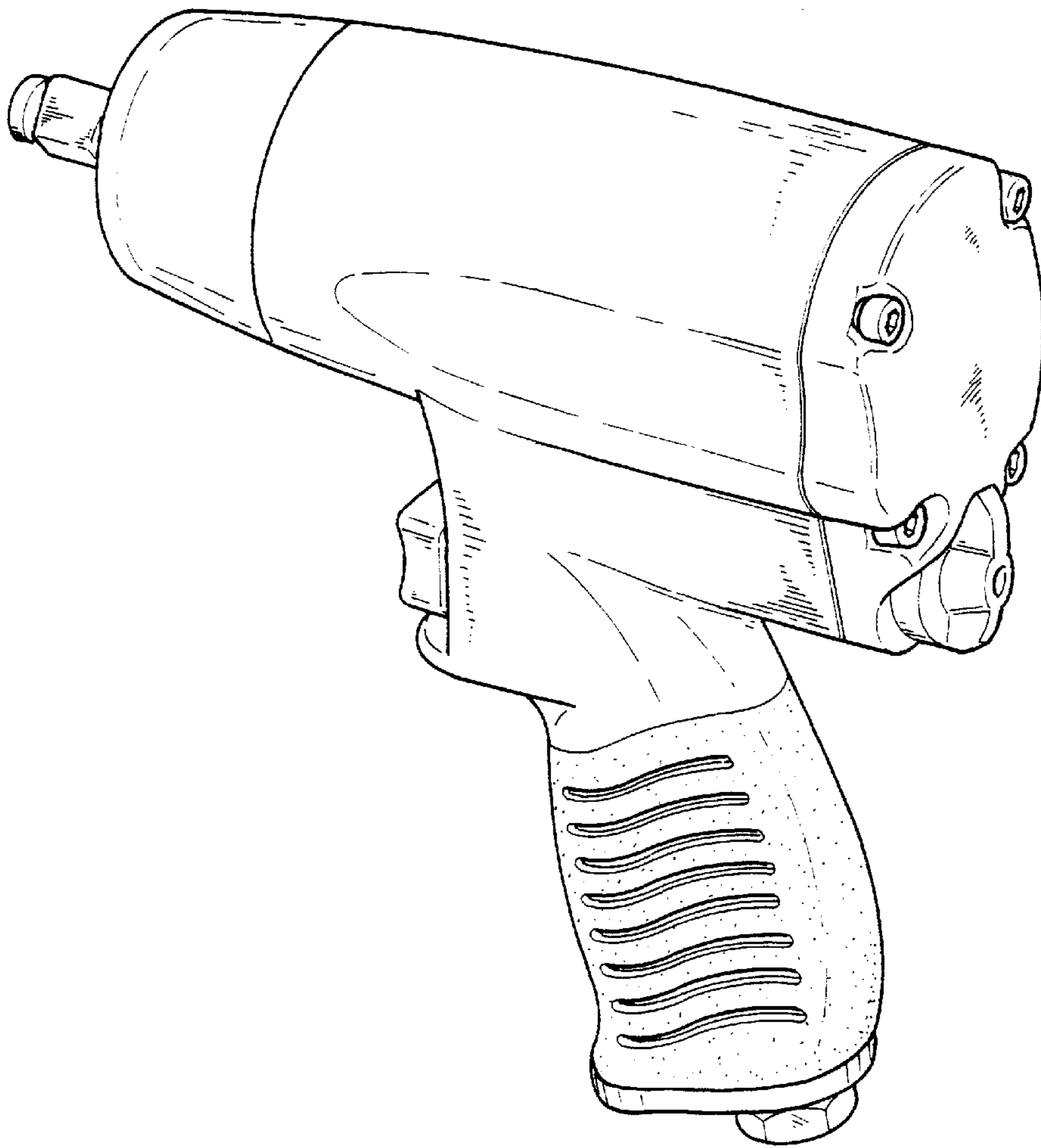


FIG. 1

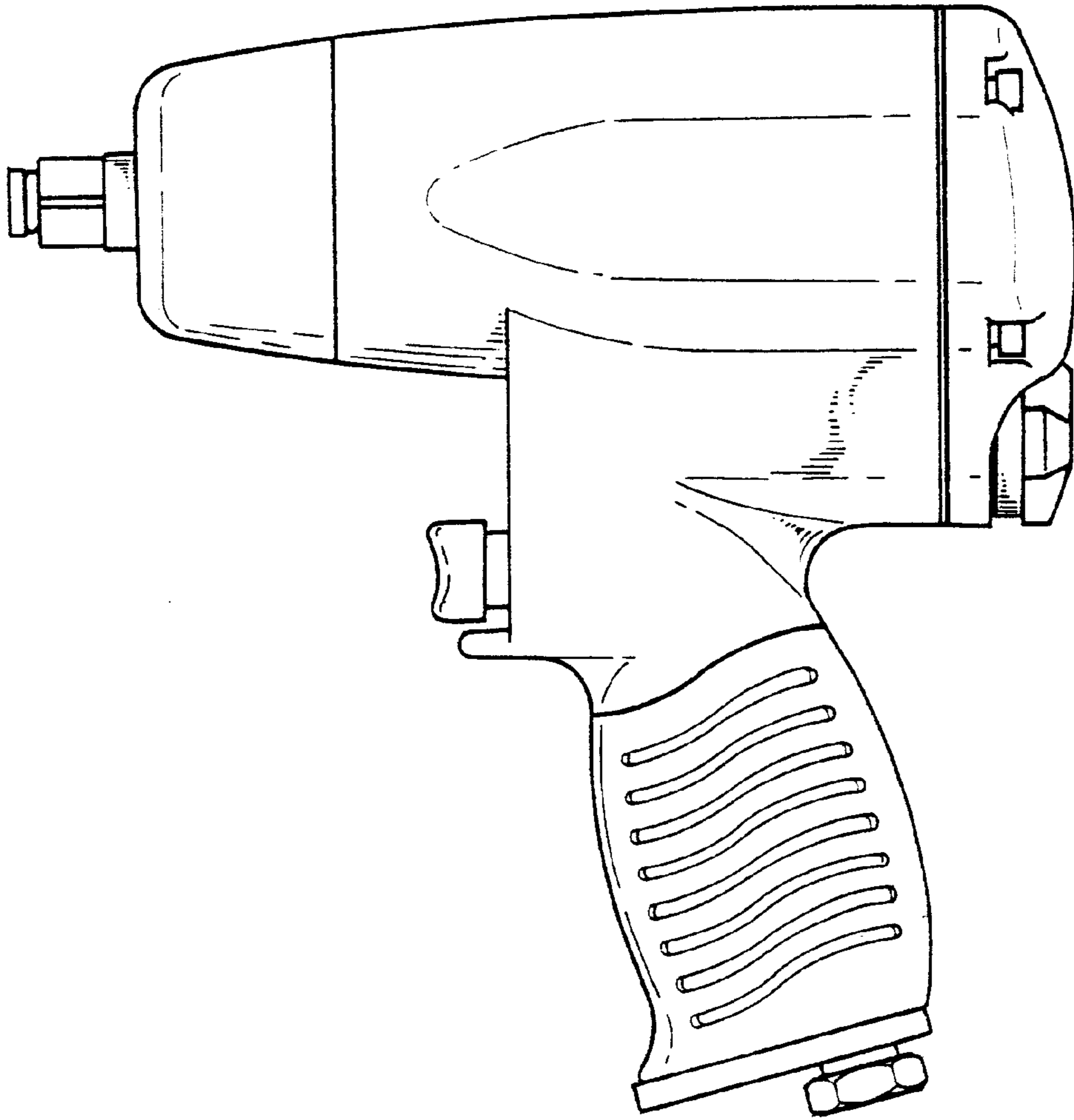


FIG. 2

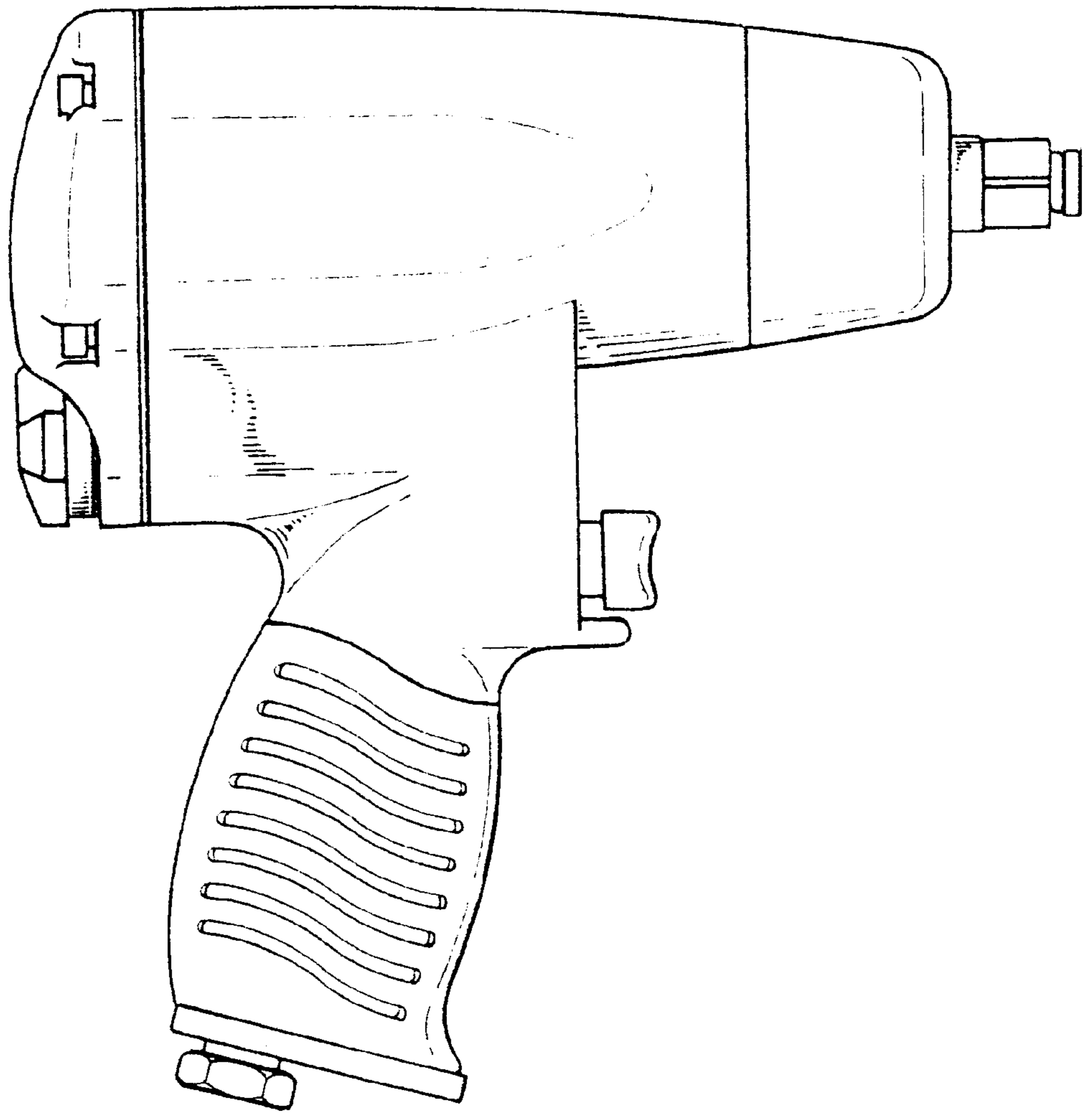


FIG. 3

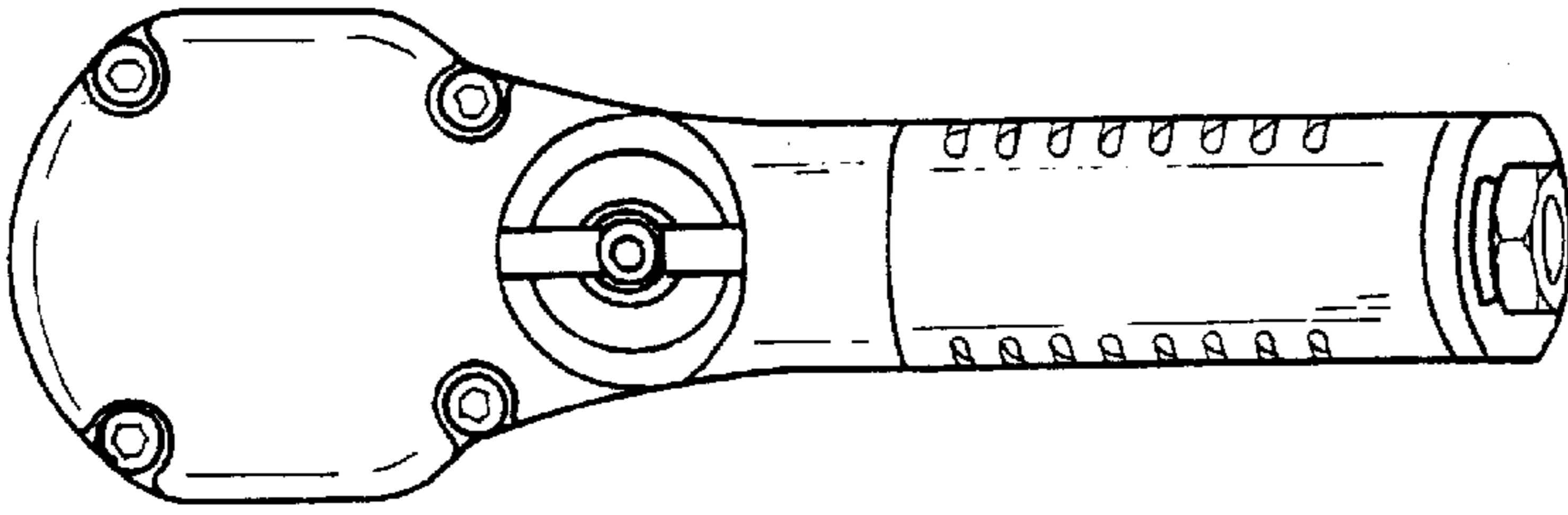


FIG. 5

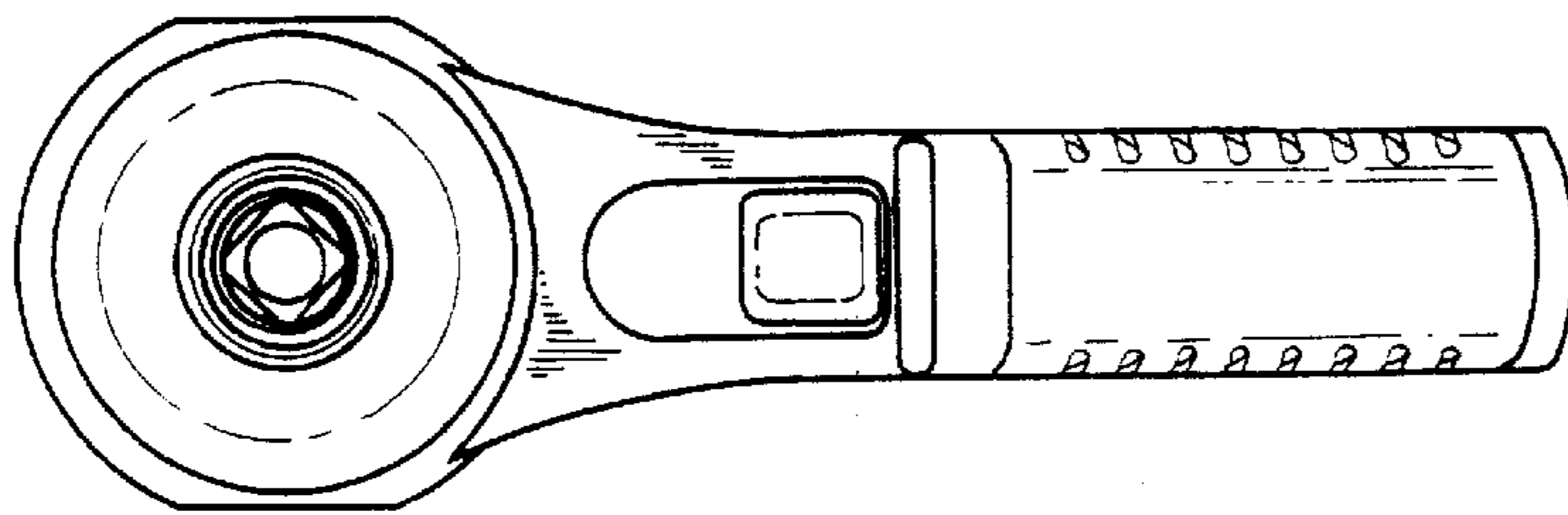


FIG. 4

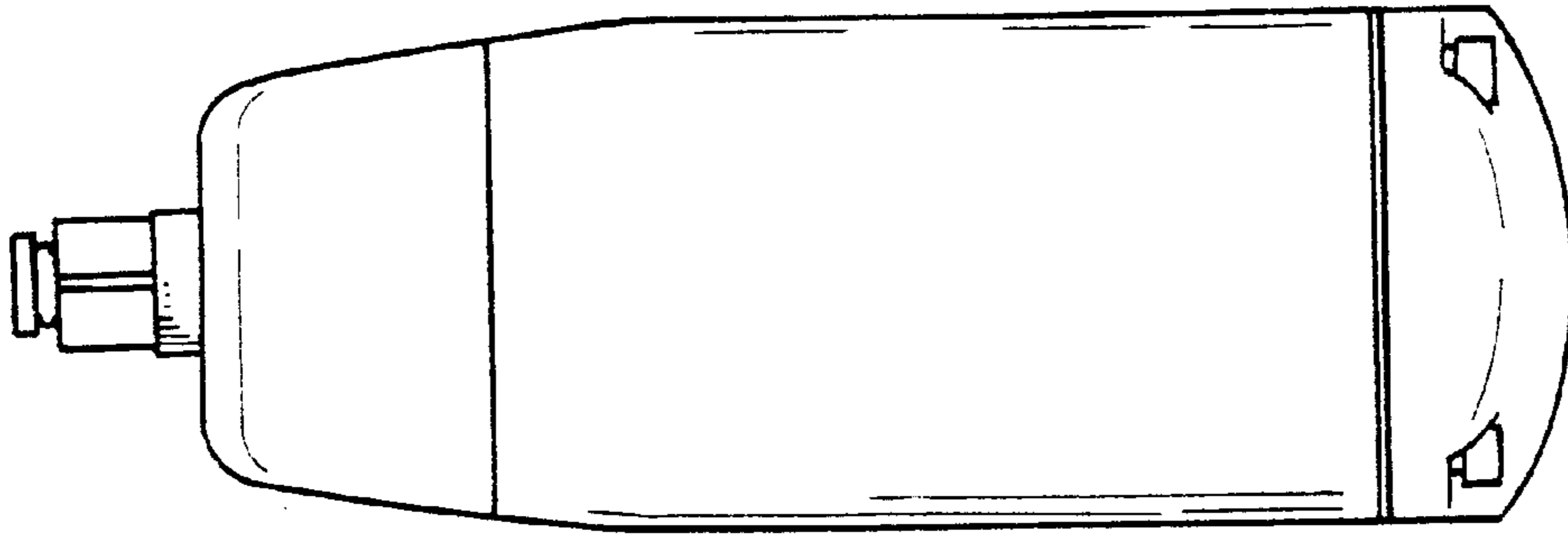


FIG. 6

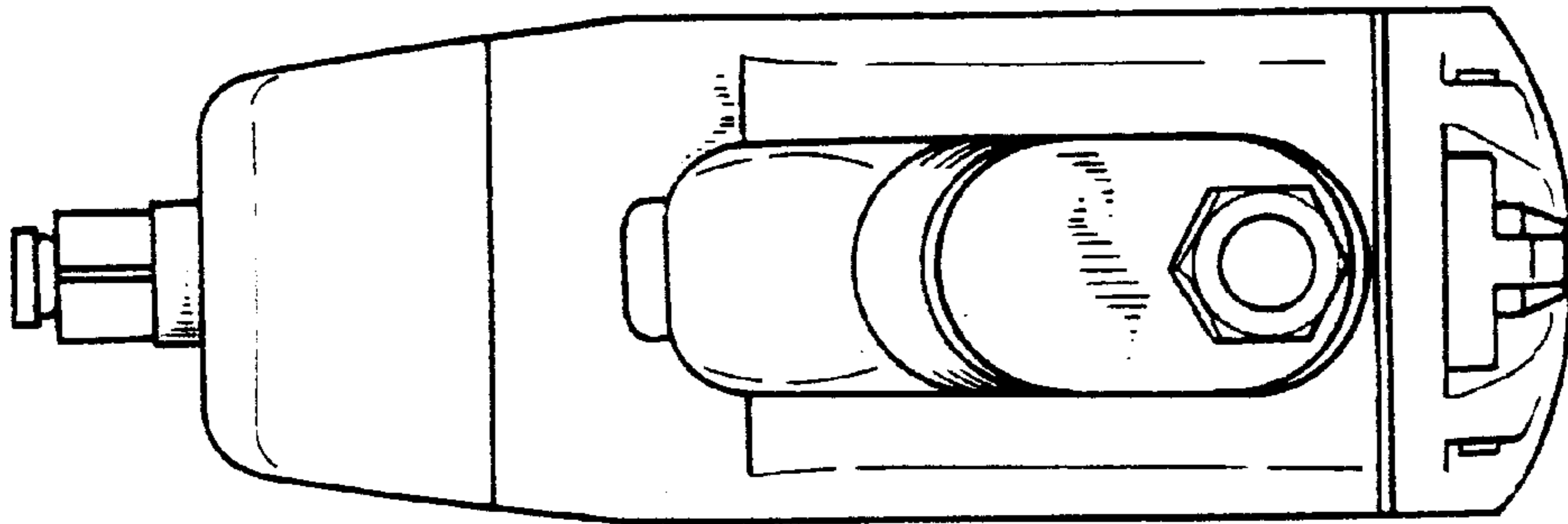


FIG. 7