



US00D458821S

(12) **United States Design Patent**
Peperkorn et al.

(10) **Patent No.:** **US D458,821 S**
(45) **Date of Patent:** **** Jun. 18, 2002**

(54) **LOCKING PLIERS WITH TOOLSET POCKET**

(75) Inventors: **William D. Peperkorn; Brian L. Rahe; Thomas O. Miller**, all of DeWitt, NE (US)

(73) Assignee: **American Tool Companies, Inc.**, Hoffman Estates, IL (US)

(**) Term: **14 Years**

(21) Appl. No.: **29/145,011**

(22) Filed: **Jul. 13, 2001**

(51) **LOC (7) Cl.** **08-05**

(52) **U.S. Cl.** **D8/52**

(58) **Field of Search** D8/52, 54, 55, D8/56, 32, 105, 107; 81/342, 367, 376, 418, 420, 424.5, 427.5, 380, 390, 324, 486; 269/6, 86, 96; 7/125, 127; 29/229, 268

(56) **References Cited**

U.S. PATENT DOCUMENTS

936,980 A	10/1909	Bing
2,156,529 A	5/1939	Day
2,250,400 A	7/1941	Stephens
2,312,947 A	3/1943	Westman

(List continued on next page.)

FOREIGN PATENT DOCUMENTS

AU	244474	4/1963
CA	463670	3/1950
CA	499110	1/1954
CA	642102	6/1962
DE	1954491	8/1978
EP	1023972 A2	8/2000
FR	976867	11/1950
FR	1255515	1/1960
WO	WO 97/34738	9/1997

Primary Examiner—Alan P. Douglas

Assistant Examiner—Clare E. Heflin

(74) *Attorney, Agent, or Firm*—Justin B. Rand; Brinks Hofer Gilson & Lione

(57) **CLAIM**

The ornamental design for locking pliers with toolset pocket, as shown and described.

DESCRIPTION

FIG. 1 is a perspective view of an embodiment of the locking pliers with toolset pocket;

FIG. 2 is a top view of the embodiment of FIG. 1;

FIG. 3 is a bottom view of the embodiment of FIG. 1;

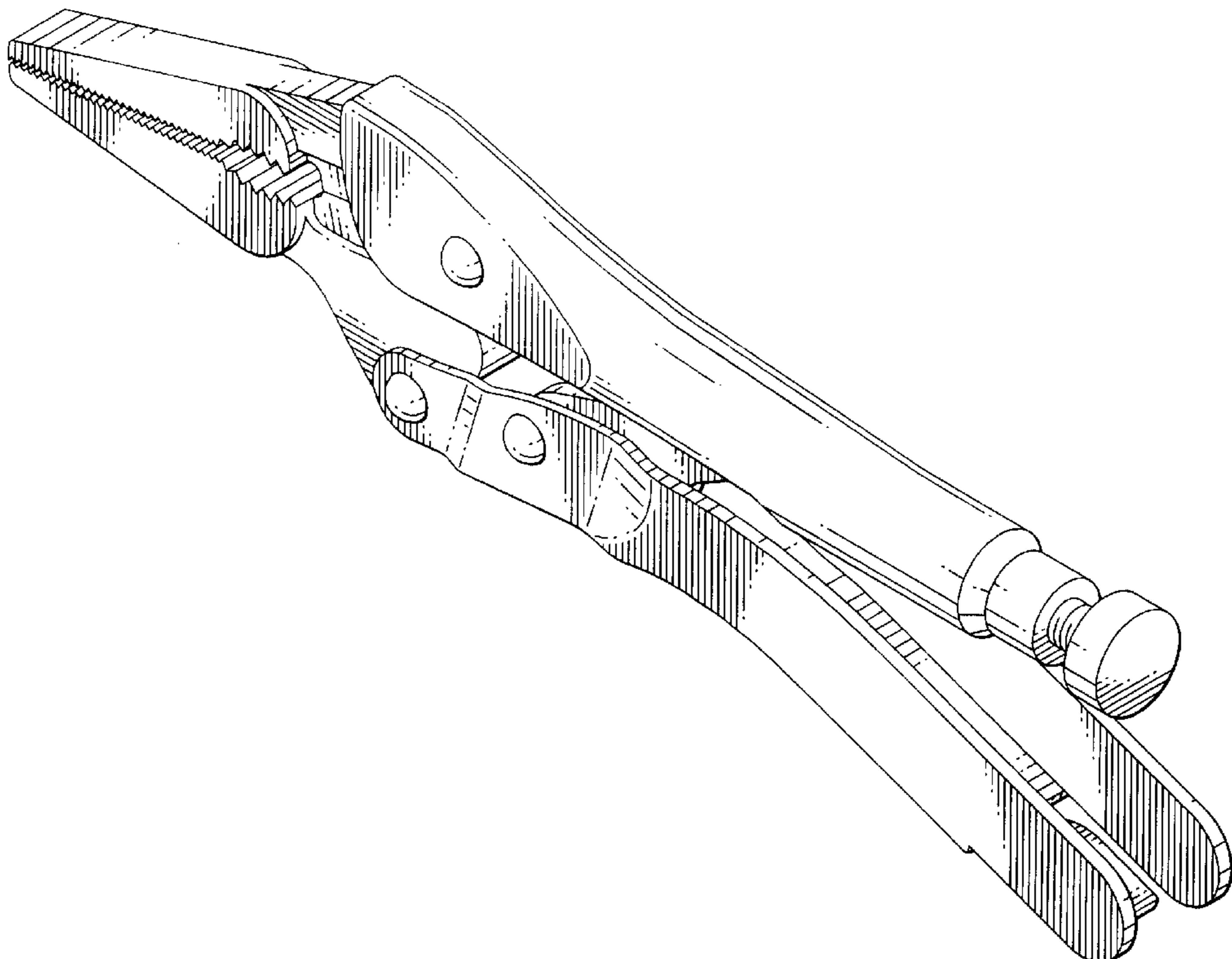
FIG. 4 is a side view of the embodiment of FIG. 1;

FIG. 5 is a side view of the embodiment of FIG. 1;

FIG. 6 is a rear view of the embodiment of FIG. 1; and,

FIG. 7 is a front view of the embodiment of FIG. 1.

1 Claim, 5 Drawing Sheets



US D458,821 S

Page 2

U.S. PATENT DOCUMENTS					
2,464,472 A	3/1949	Ward et al.	4,546,680 A	* 10/1985	Petersen 81/367
2,487,281 A	11/1949	Steckelberg	4,709,601 A	* 12/1987	Petersen 81/367
2,496,309 A	2/1950	Pugh	RE32,614 E	3/1988	Wilson
2,499,201 A	2/1950	Thayer	4,820,901 A	4/1989	Peviani
2,514,130 A	7/1950	Jones	4,889,021 A	12/1989	Morrison
2,523,385 A	9/1950	Mead	4,893,530 A	1/1990	Warheit
2,531,285 A	11/1950	Manspeaker	5,060,543 A	10/1991	Warheit
2,543,922 A	3/1951	Mead	5,197,359 A	3/1993	Mills
2,584,952 A	2/1952	Westerman et al.	5,251,353 A	10/1993	Lin
2,595,579 A	5/1952	Hawkins	5,351,585 A	* 10/1994	Leseberg et al. 81/426
2,600,594 A	6/1952	Williamson	5,385,072 A	1/1995	Neff
2,617,312 A	11/1952	Prentice	5,435,214 A	7/1995	Sisson
2,618,188 A	11/1952	Emmett	5,644,960 A	7/1997	O'Brien
2,643,567 A	6/1953	Johnson	5,697,114 A	12/1997	McIntosh et al.
2,661,648 A	12/1953	Jones	5,781,950 A	7/1998	Swinden et al.
2,669,145 A	2/1954	Mead	5,791,002 A	8/1998	Gardiner et al.
2,751,801 A	6/1956	Hostetter	D405,675 S	* 2/1999	Rivera D8/107
2,777,347 A	1/1957	Sendoykas	D407,622 S	* 4/1999	Rivera D8/107
2,800,823 A	7/1957	Tugend	5,916,277 A	6/1999	Dallas
2,815,728 A	12/1957	Fenimore	5,960,498 A	10/1999	Nabors et al.
2,837,950 A	* 6/1958	Hardy 81/427.5	5,963,999 A	10/1999	Gardiner et al.
2,988,941 A	6/1961	Ortman	5,979,059 A	11/1999	Leatherman et al.
2,997,903 A	8/1961	Rommel et al.	5,979,959 A	11/1999	Rivera
3,104,571 A	9/1963	Trybus	6,006,385 A	12/1999	Kershaw et al.
3,190,155 A	6/1965	Ortman	6,009,582 A	1/2000	Harrison et al.
3,195,382 A	7/1965	Rommel et al.	6,012,361 A	1/2000	Wooster, Jr. et al.
3,208,319 A	9/1965	Westby et al.	6,014,917 A	1/2000	Bally et al.
3,252,360 A	5/1966	Ortman	6,038,723 A	3/2000	Nabors et al.
3,262,343 A	7/1966	Weller	D428,317 S	7/2000	Lin
RE26,280 E	10/1967	Hostetter	6,095,019 A	8/2000	Warheit et al.
3,354,759 A	11/1967	Cook	6,105,189 A	8/2000	Nabors et al.
3,496,808 A	2/1970	Schmidt	6,108,845 A	8/2000	Hung et al.
3,545,316 A	12/1970	Patrick	6,155,142 A	12/2000	Bally et al.
3,590,669 A	7/1971	Marasco	6,178,855 B1	1/2001	Bally et al.
3,600,986 A	8/1971	Baldwin, Jr.	D437,756 S	* 2/2001	Lin D8/52
3,657,948 A	4/1972	Myers	6,199,458 B1	3/2001	Wrigley et al.
3,657,949 A	4/1972	Myers	6,212,977 B1	4/2001	Liou
3,793,914 A	2/1974	Helms	6,279,433 B1	* 8/2001	Chervenak 81/427.5
3,981,308 A	* 9/1976	Schlein 606/205	6,282,996 B1	* 9/2001	Berg et al. 81/427.5
4,446,894 A	* 5/1984	Larson 81/308 X			

* cited by examiner

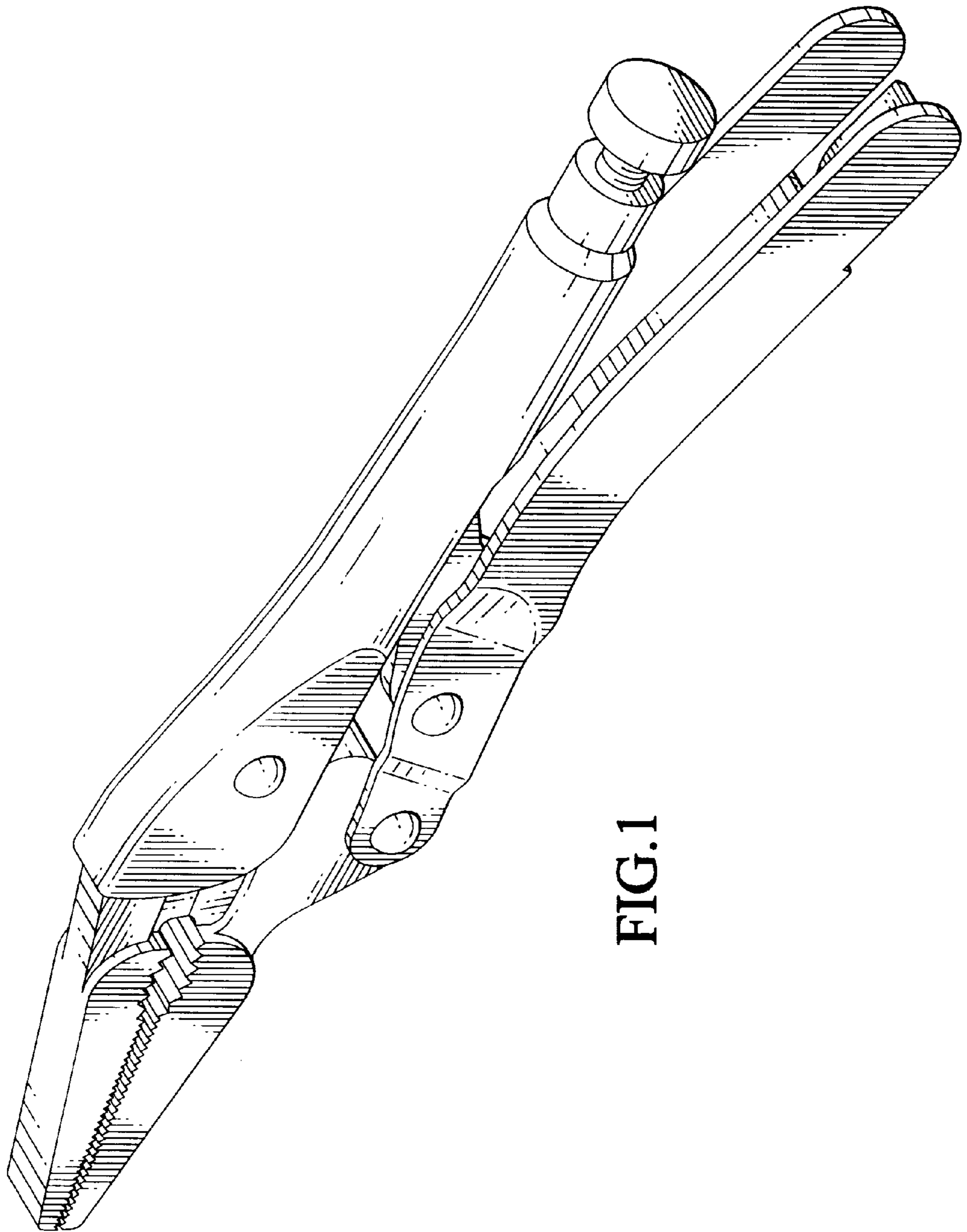


FIG. 1

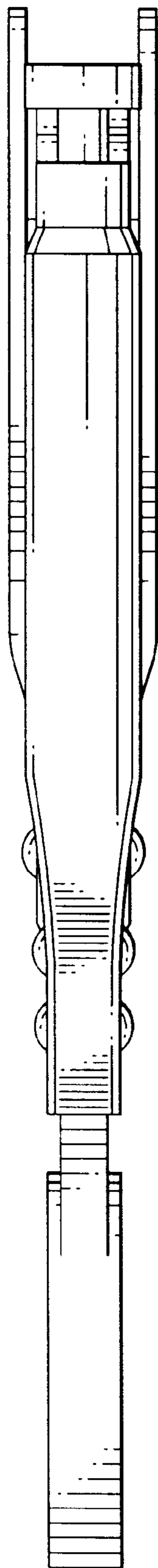


FIG. 2

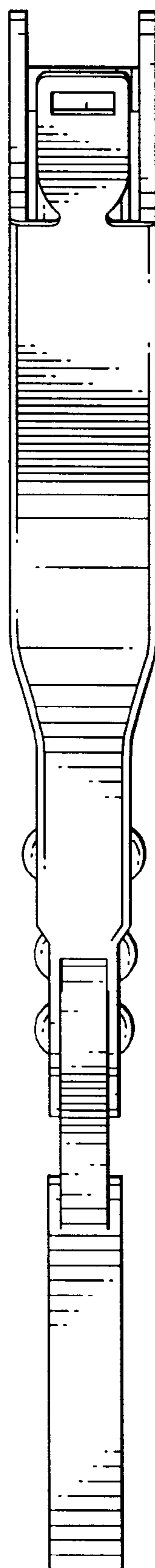


FIG. 3

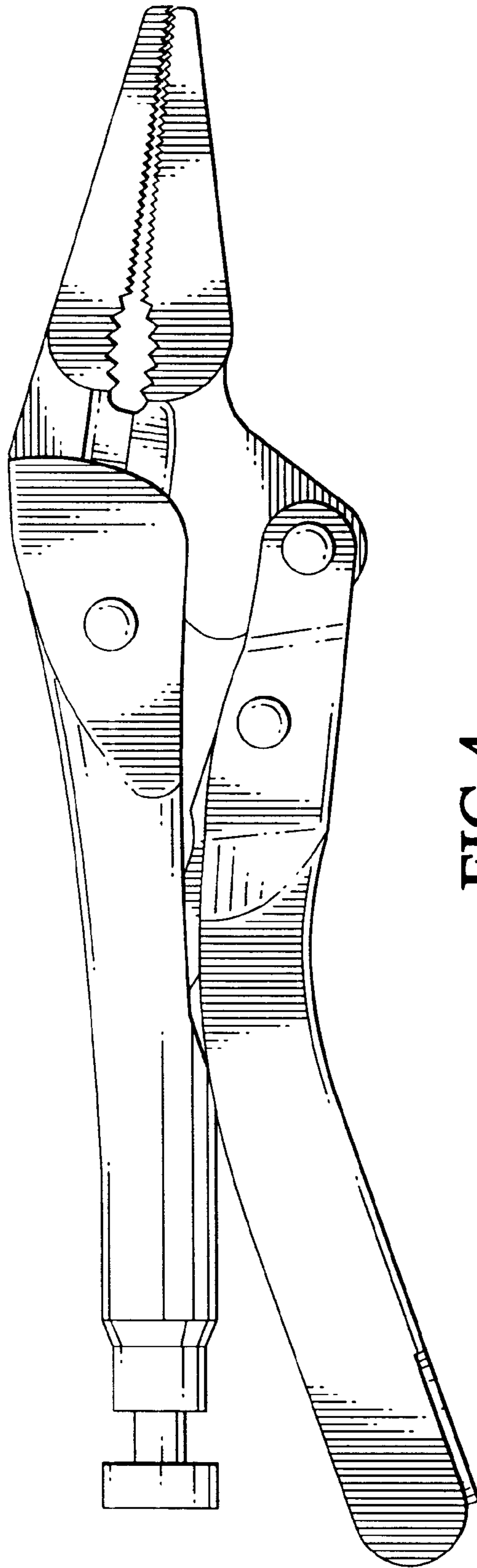


FIG.4

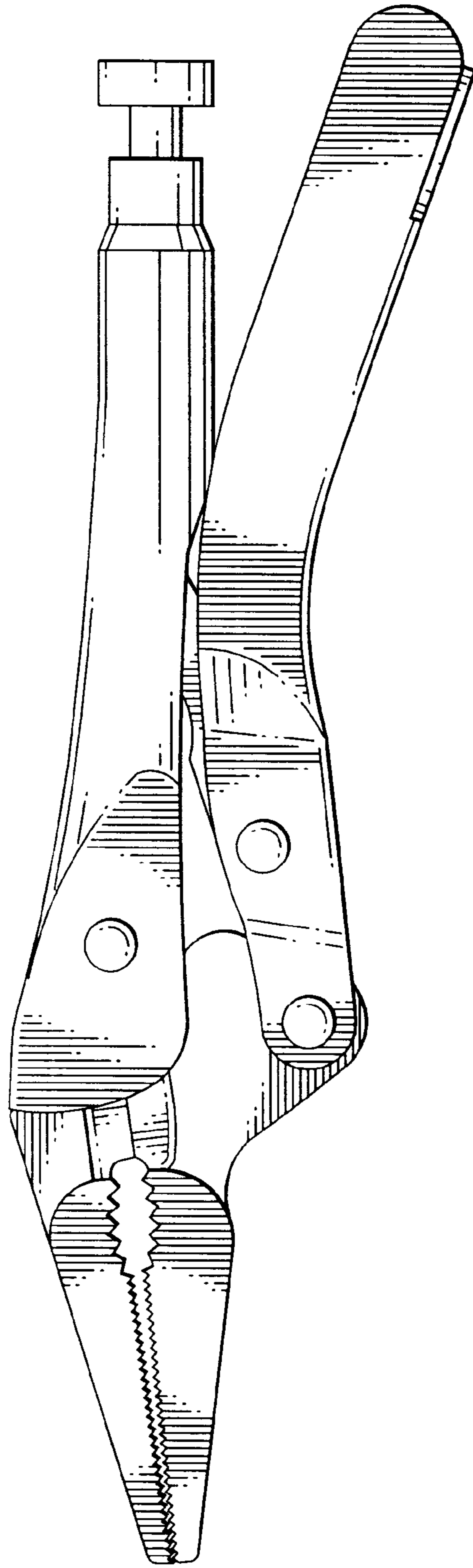


FIG. 5

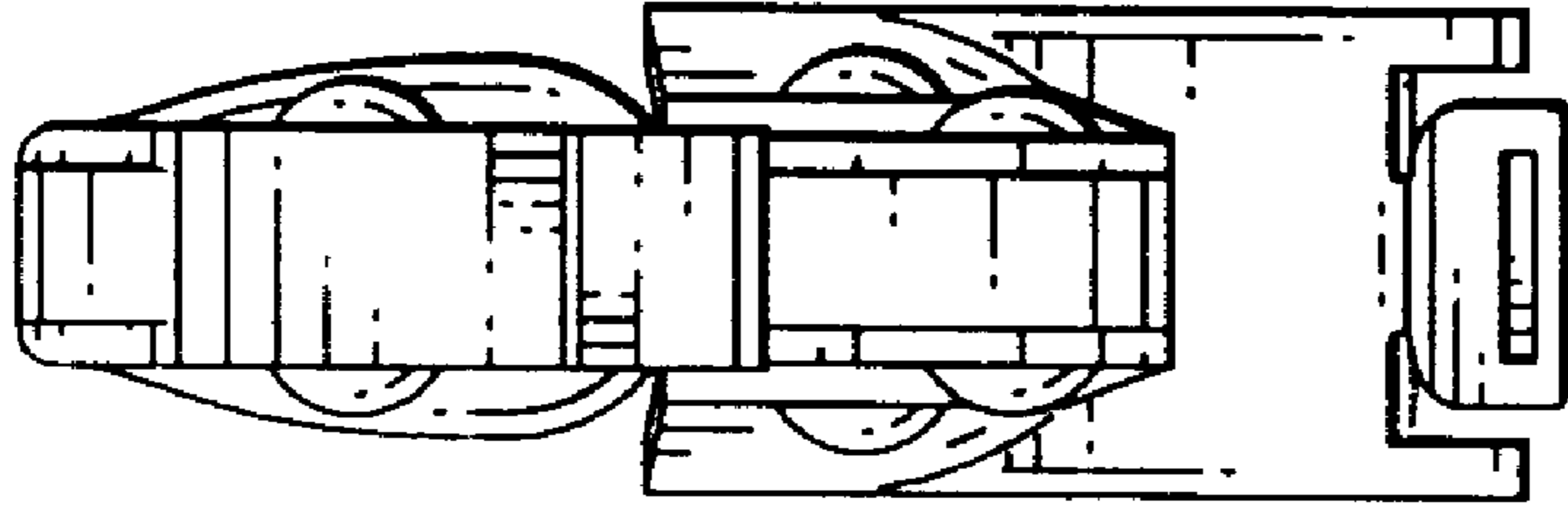


FIG. 6

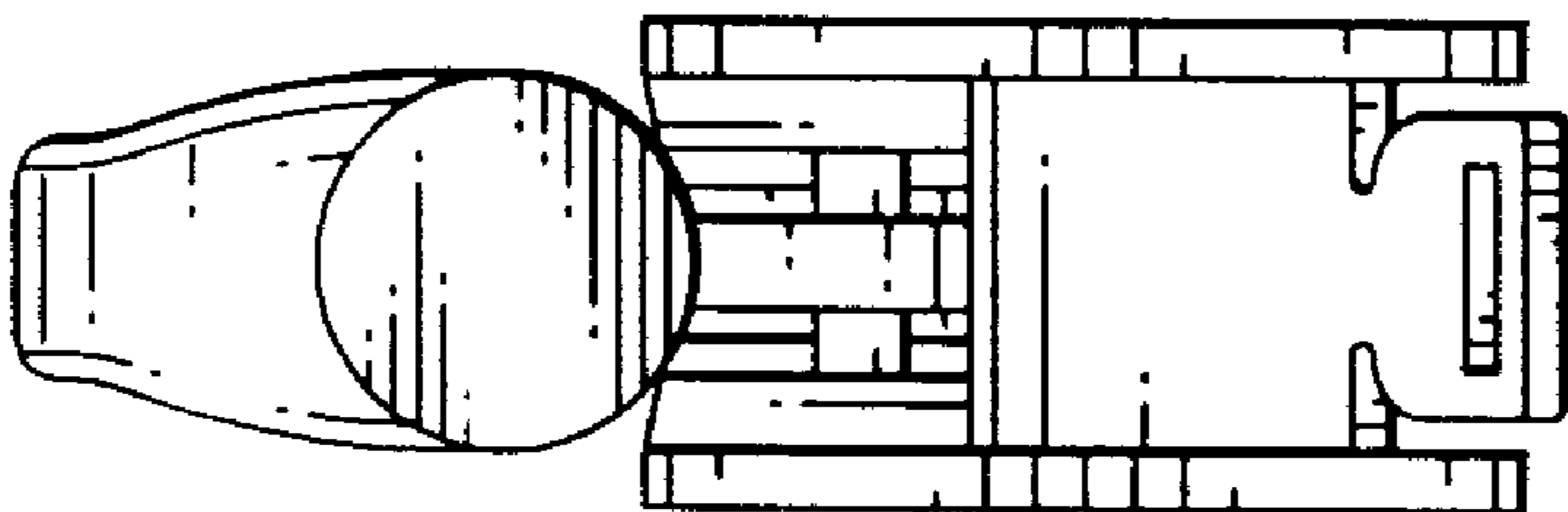


FIG. 7