



US00D458819S

(12) **United States Design Patent**  
**Levien**

(10) **Patent No.:** **US D458,819 S**

(45) **Date of Patent:** **\*\* Jun. 18, 2002**

(54) **CAN OPENER**

D442,044 S \* 5/2001 Juhlin et al. .... D8/39

(75) Inventor: **Robin Levien**, London (GB)

\* cited by examiner

(73) Assignee: **Maxpat Trading & Marketing (Far East) Limited**, Hong Kong (HK)

*Primary Examiner*—Caron D. Veynar

(74) *Attorney, Agent, or Firm*—William J. Sapone; Coleman Sudol Sapone, P.C.

(\*\*) Term: **14 Years**

(57) **CLAIM**

(21) Appl. No.: **29/129,086**

The ornamental design for a “can opener”, as shown and described.

(22) Filed: **Sep. 6, 2000**

(30) **Foreign Application Priority Data**

**DESCRIPTION**

Mar. 7, 2000 (GB) ..... 2091160

FIG. 1 is an enlarged perspective view of a “can opener” showing my new design;

(51) **LOC (7) Cl.** ..... **07-99**

FIG. 2 is a top plan view thereof;

(52) **U.S. Cl.** ..... **D8/39**

FIG. 3 is bottom plan view thereof;

(58) **Field of Search** ..... D8/33-43; 7/151-156;  
30/416-419; 81/3.07-3.49

FIG. 4 is a right side elevational view thereof;

FIG. 5 is a left side elevational view thereof;

FIG. 6 is an end view thereof;

FIG. 7 is an opposite end view thereof;

FIG. 8 is a perspective view from below with arms in open position;

FIG. 9 is a top plan view with arms in open position; and,

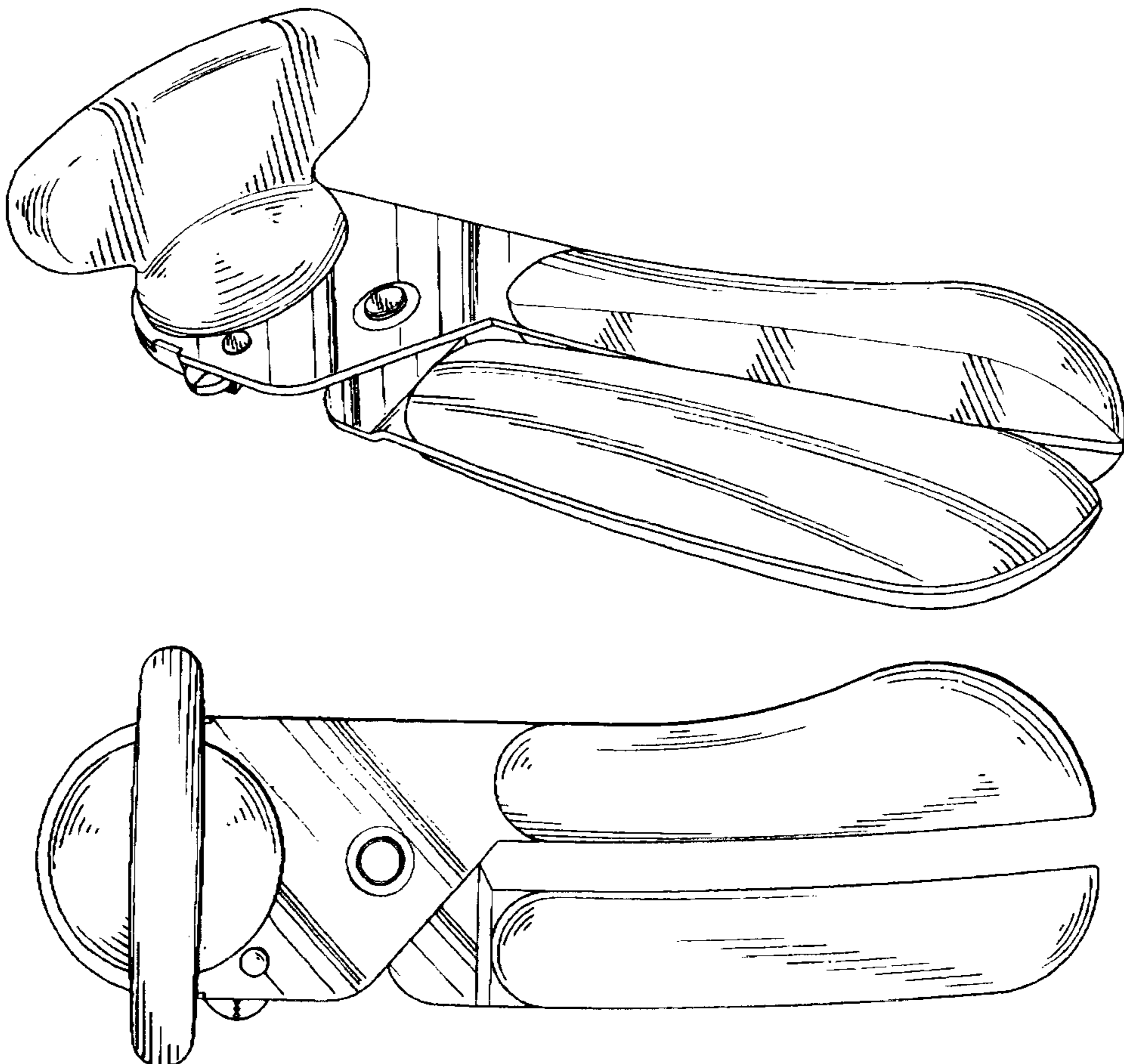
FIG. 10 is a bottom plan view with arms in open position.

(56) **References Cited**

**U.S. PATENT DOCUMENTS**

- D282,521 S \* 2/1986 Steinko ..... D8/39
- D405,332 S \* 2/1999 So ..... D8/39
- D409,888 S \* 5/1999 So ..... D8/39
- D436,508 S \* 1/2001 Roberts ..... D8/39

**1 Claim, 9 Drawing Sheets**



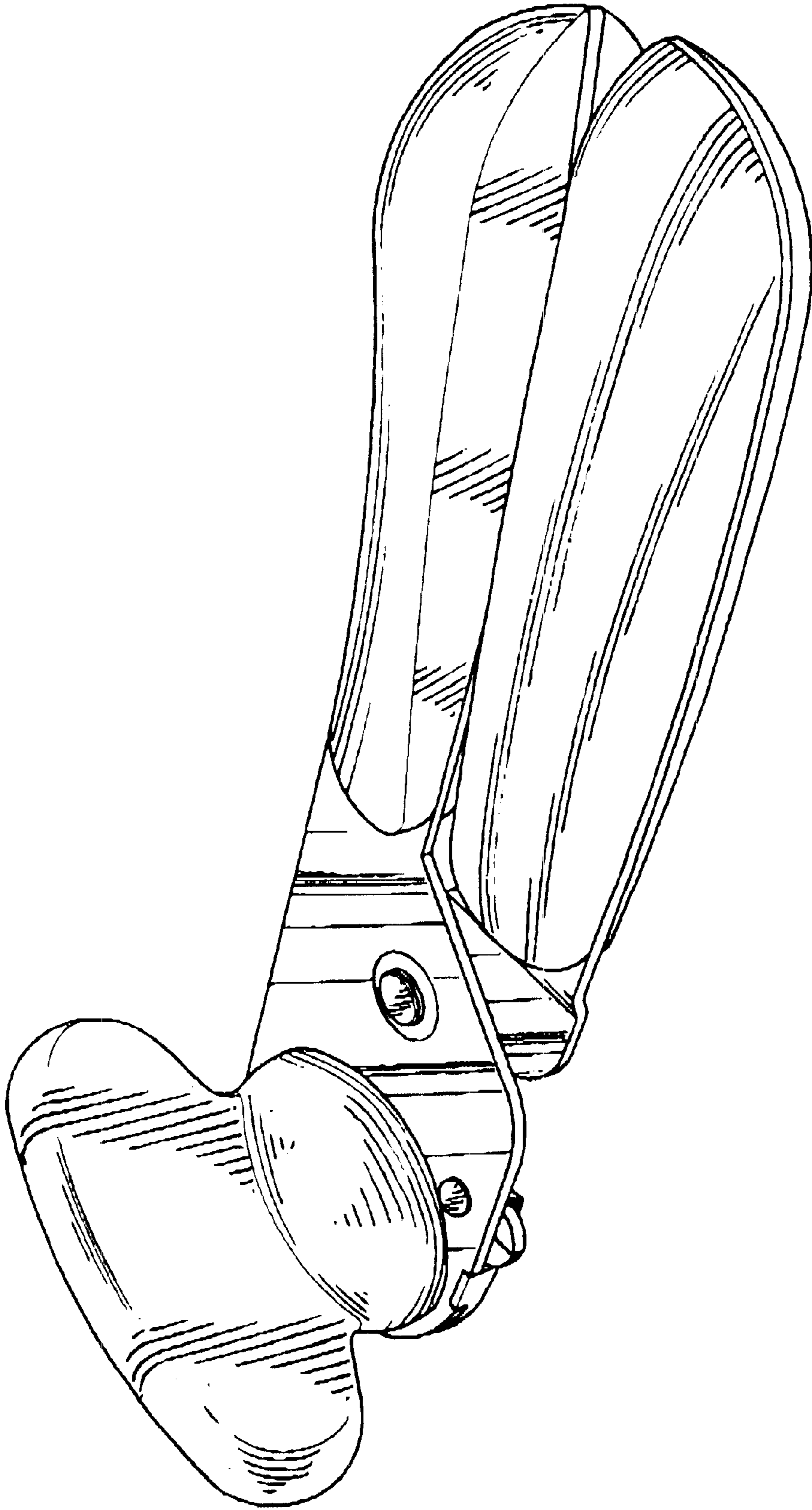


FIG. 1

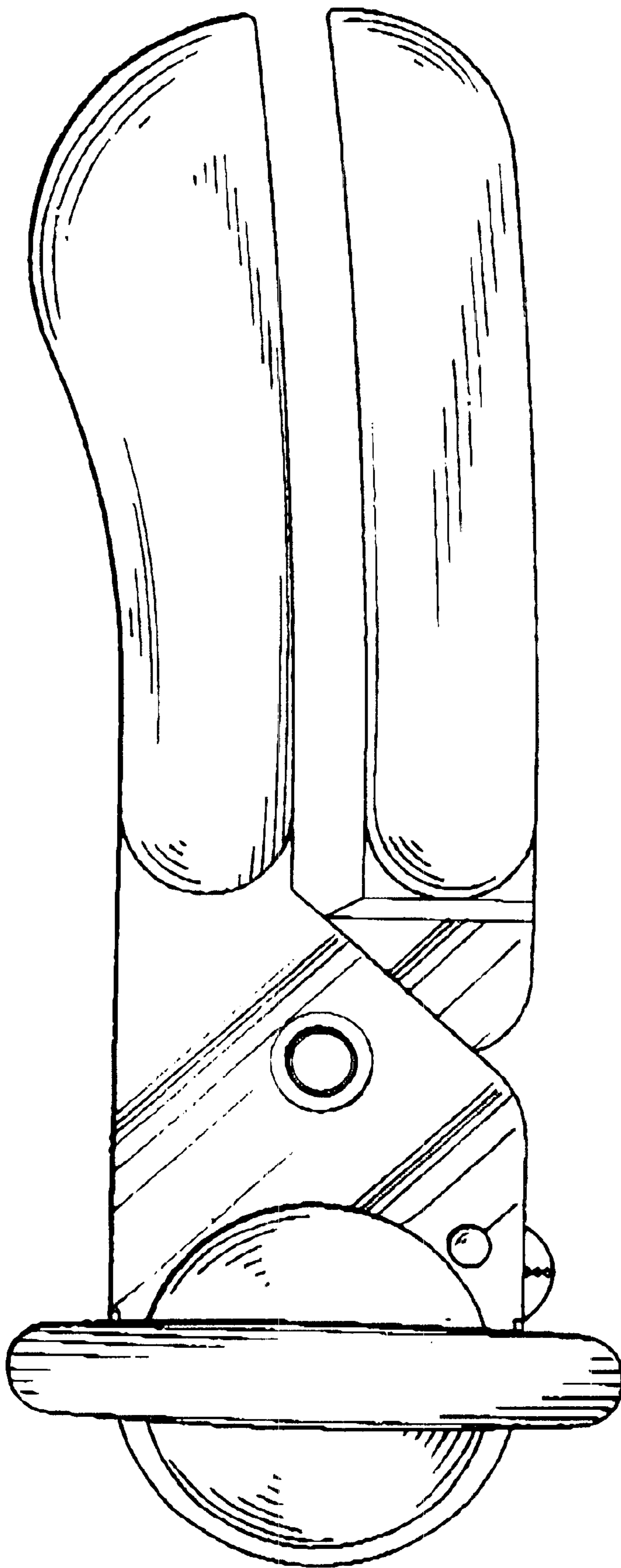


FIG. 2

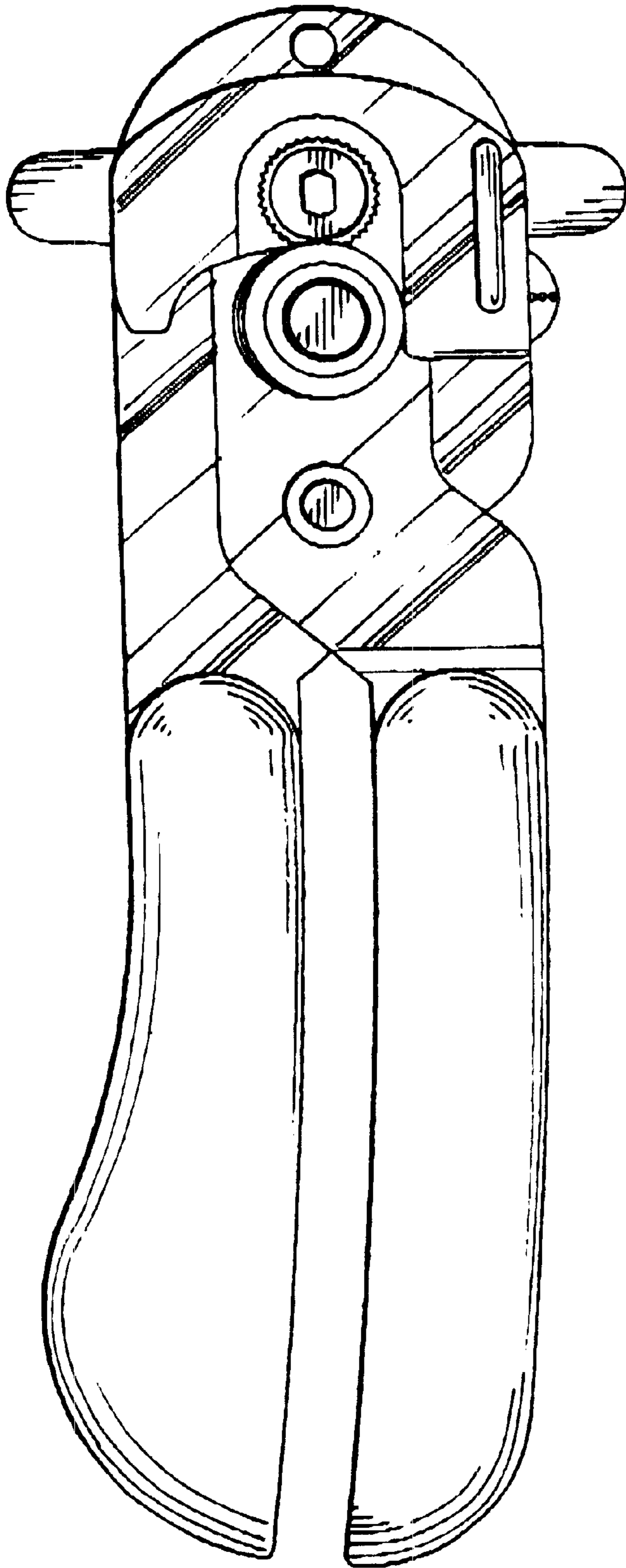


FIG. 3

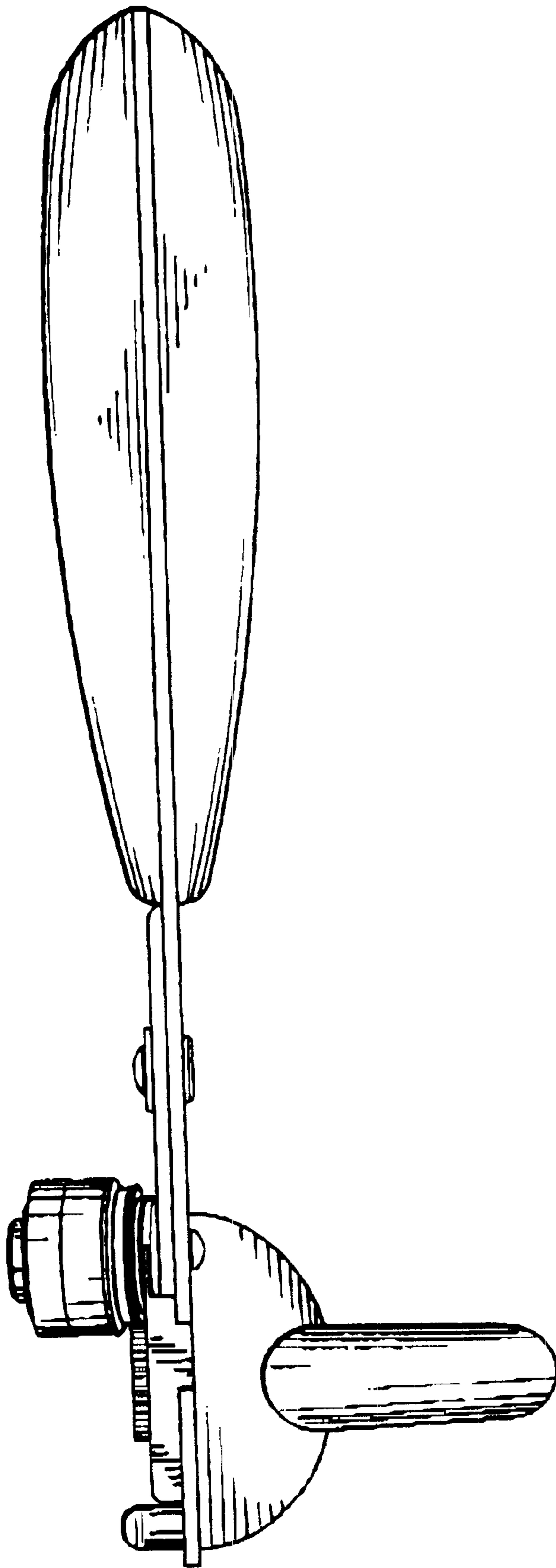


FIG. 4



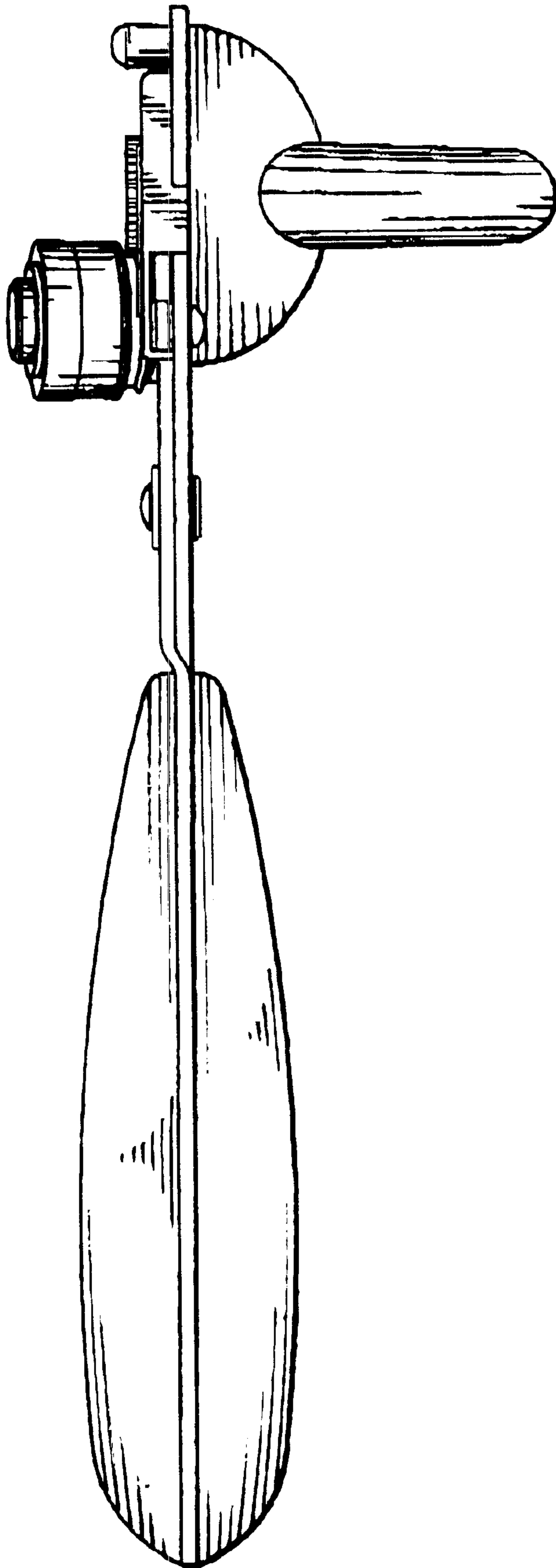


FIG. 5

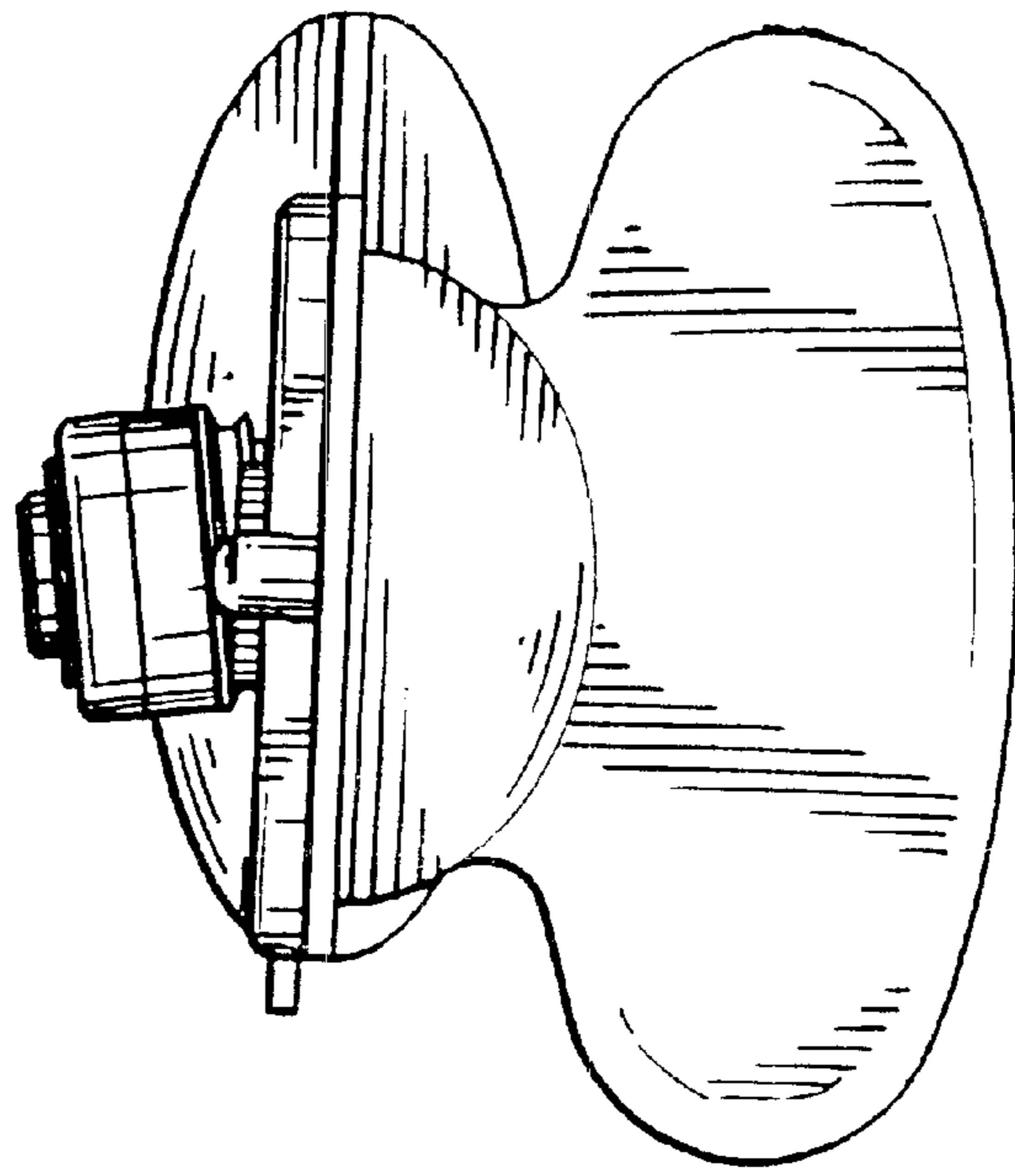


FIG. 6

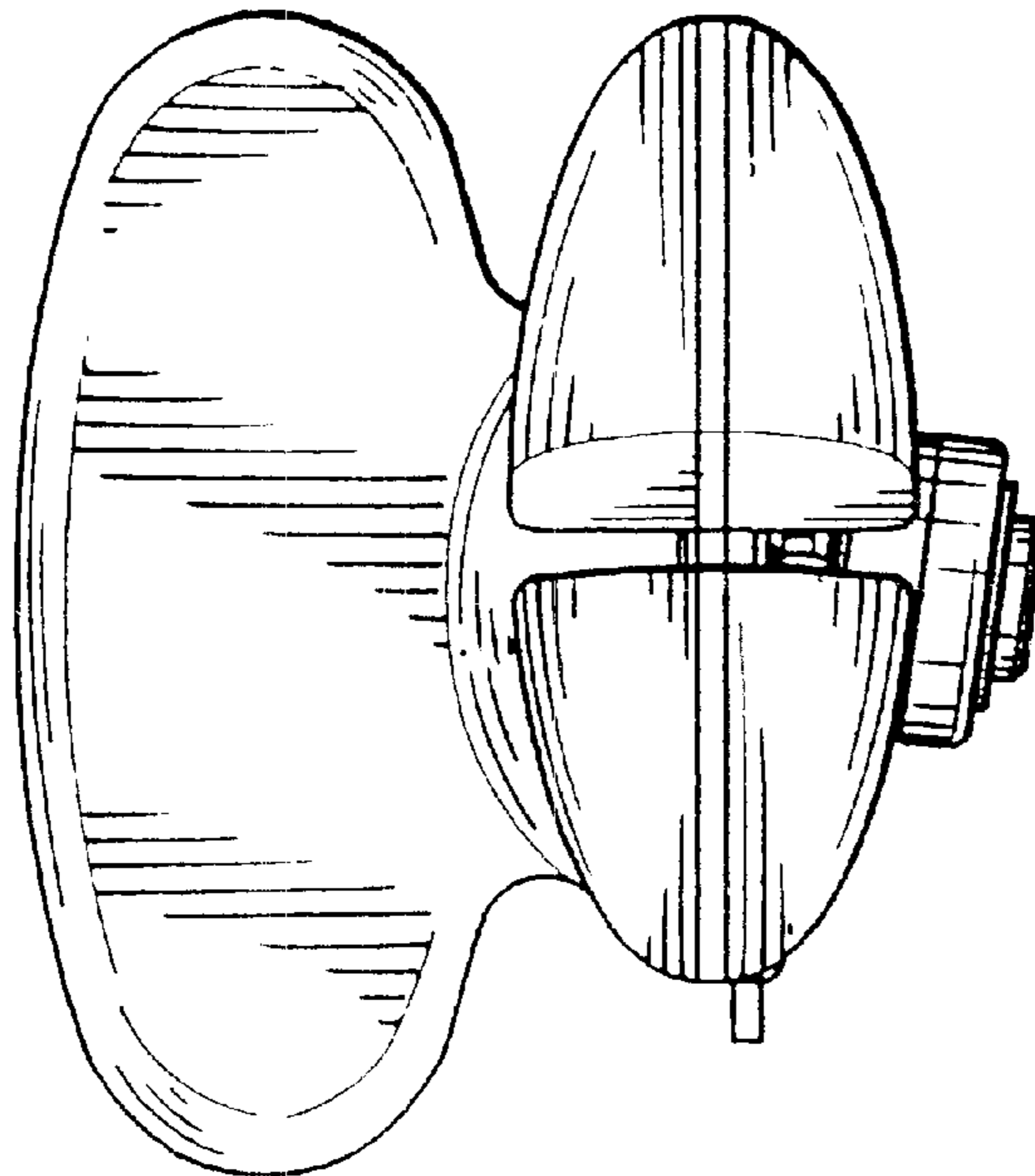


FIG. 7

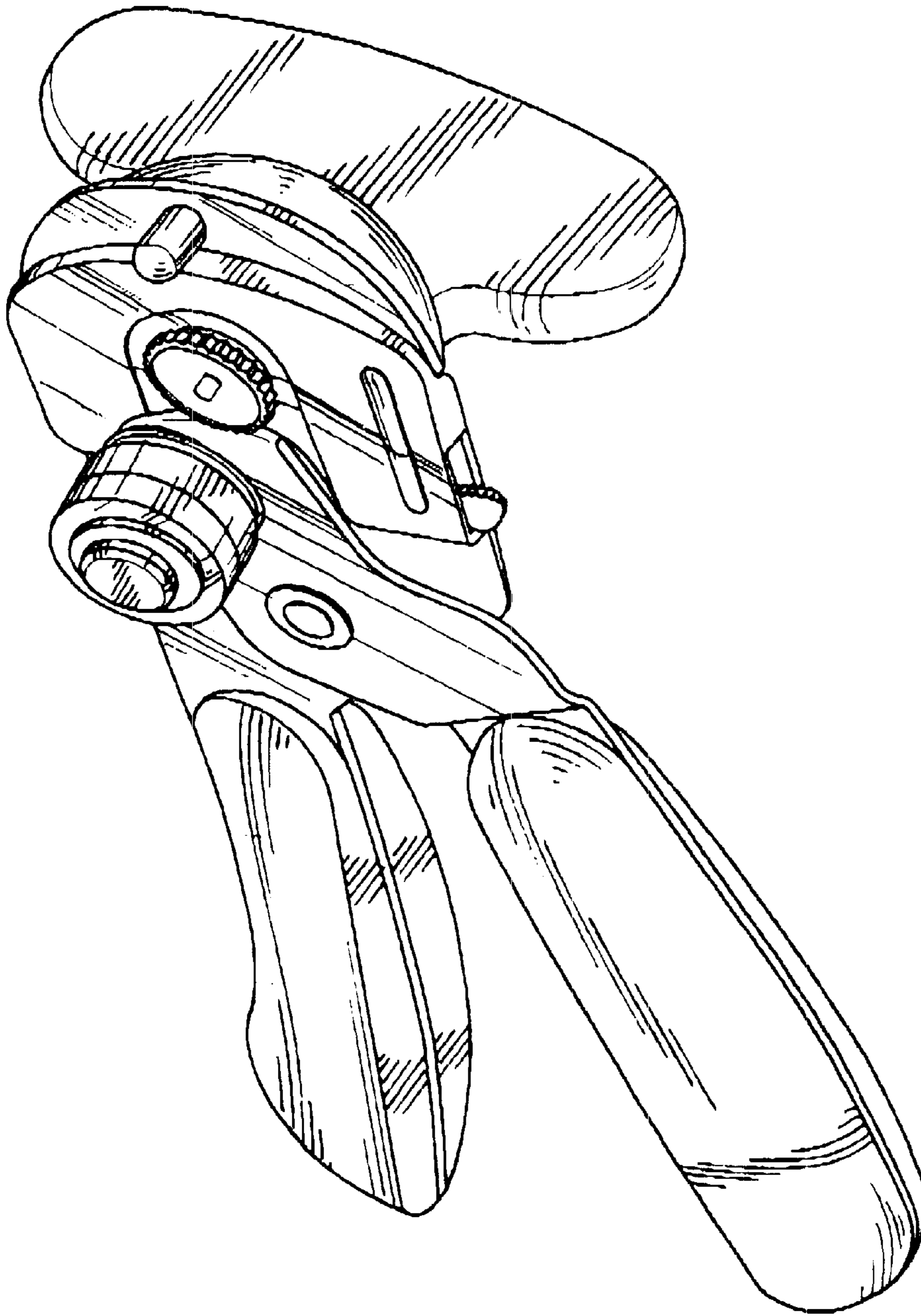


FIG. 8



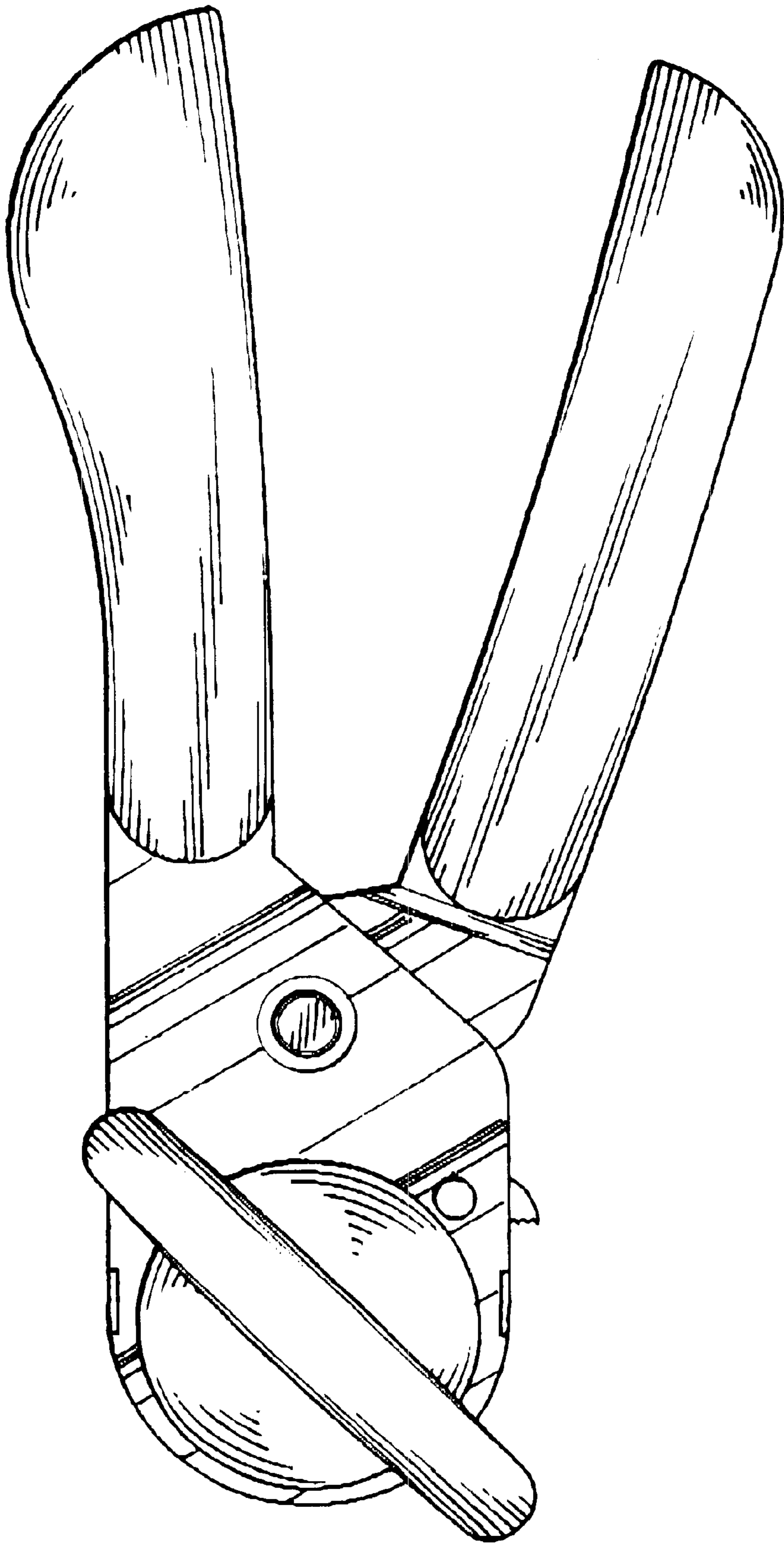


FIG. 9

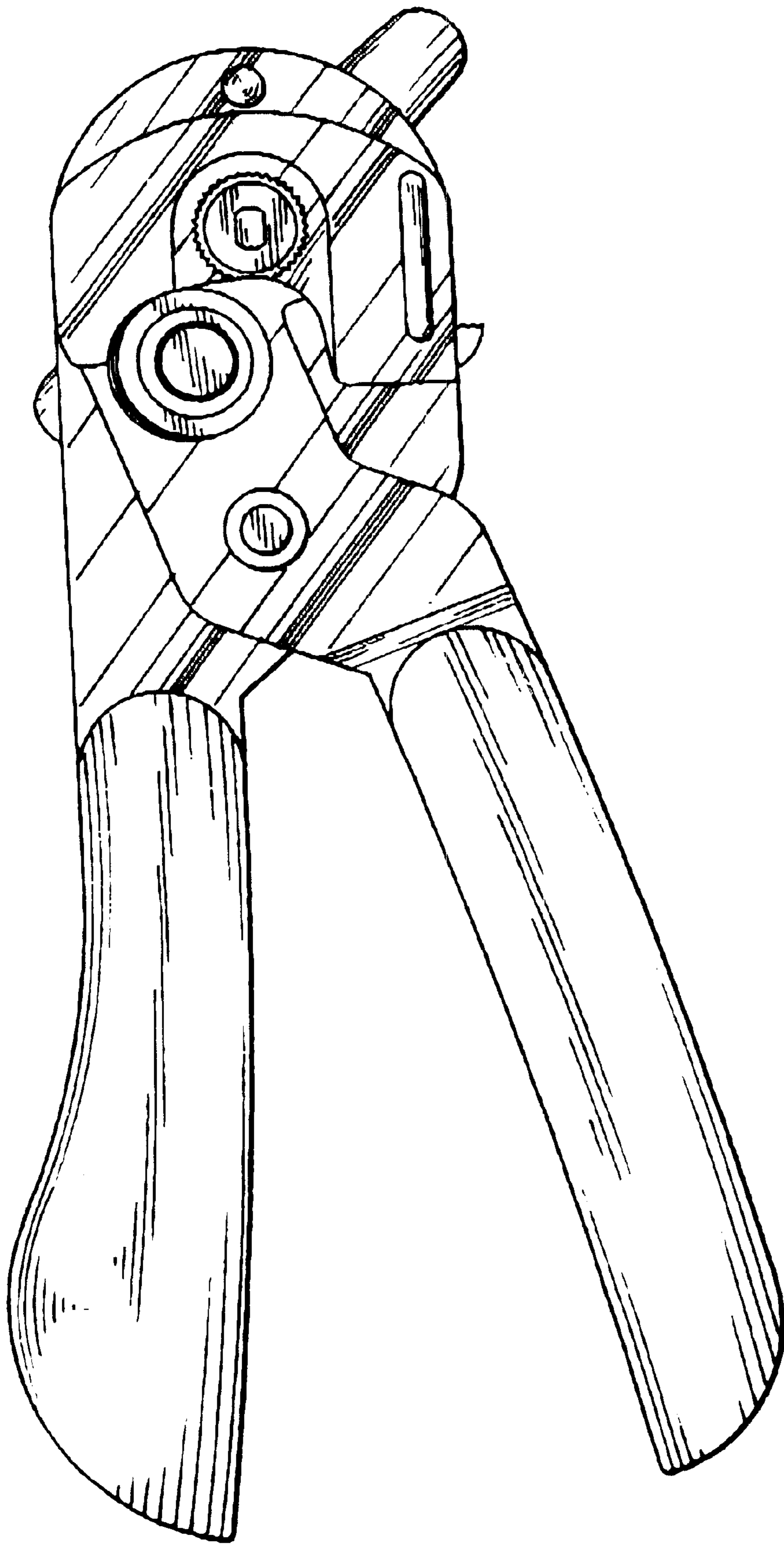


FIG. 10