



US00D458817S

(12) **United States Design Patent**
Jenkins

(10) **Patent No.:** **US D458,817 S**

(45) **Date of Patent:** **** Jun. 18, 2002**

(54) **ELECTRONIC TORQUE WRENCH HAVING
A ROTATABLE BEZEL**

Primary Examiner—Raphael Barkai
(74) *Attorney, Agent, or Firm*—Albert O. Cota

(76) **Inventor:** **Bradley G. Jenkins**, 1812 E. Evergreen
St., Duarte, CA (US) 91010

(57) **CLAIM**

(**) **Term:** **14 Years**

The ornamental design for an electronic torque wrench
having a rotatable bezel, as shown and described.

(21) **Appl. No.:** **29/136,361**

DESCRIPTION

(22) **Filed:** **Jan. 31, 2001**

(51) **LOC (7) Cl. 08-05**

FIG. 1 is a top plan view showing my new design for an
electronic torque wrench having a rotatable bezel incorpo-
rating a keypad and digital readout;

(52) **U.S. Cl. D8/24**

FIG. 2 is a bottom plan view thereof;

(58) **Field of Search D8/21-29, 17;
73/862.21, 862.22, 862.23, 862.26; 81/467**

FIG. 3 is a left side elevational view thereof, the right-side
elevational view being a mirror image thereof;

(56) **References Cited**

U.S. PATENT DOCUMENTS

2,279,792	A	*	4/1942	Larson	73/862.26
3,304,772	A	*	2/1967	Campbell	73/862.22
3,487,732	A	*	1/1970	Larson	81/467
3,879,996	A	*	4/1975	Green	73/862.21
D282,815	S	*	3/1986	Grabovac	D8/24
D439,815	S	*	4/2001	Cutler	D8/24

FIG. 4 is a front side elevational view thereof;

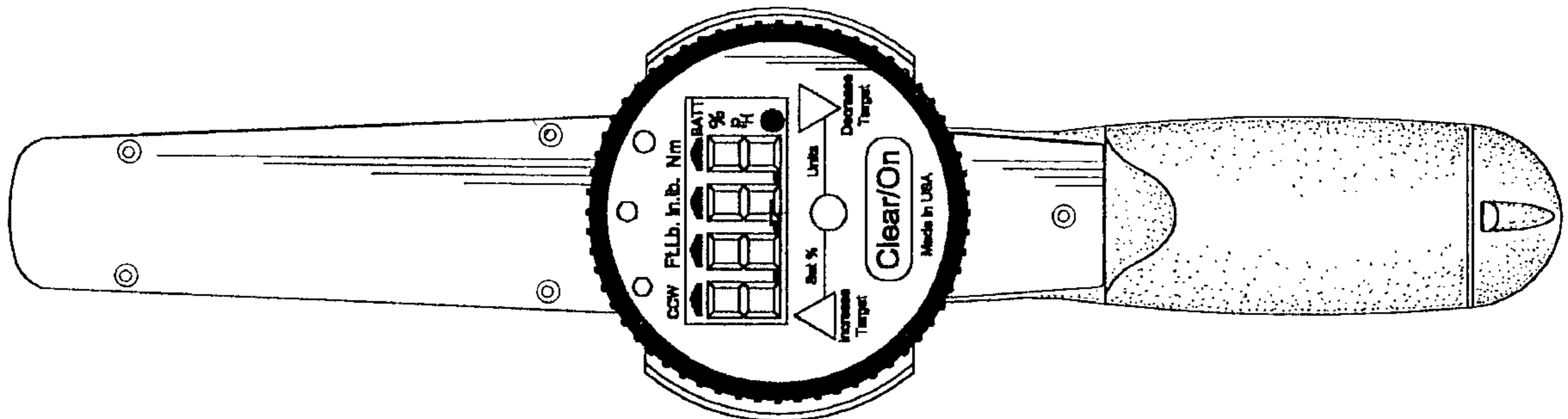
FIG. 5 is a rear side elevational view thereof;

FIG. 6 is a top plan view of the electronic torque wrench
with the rotatable bezel rotated 90° from the position shown
in FIG. 1, and,

FIG. 7 is an enlarged plan view of the rotatable bezel.

* cited by examiner

1 Claim, 5 Drawing Sheets



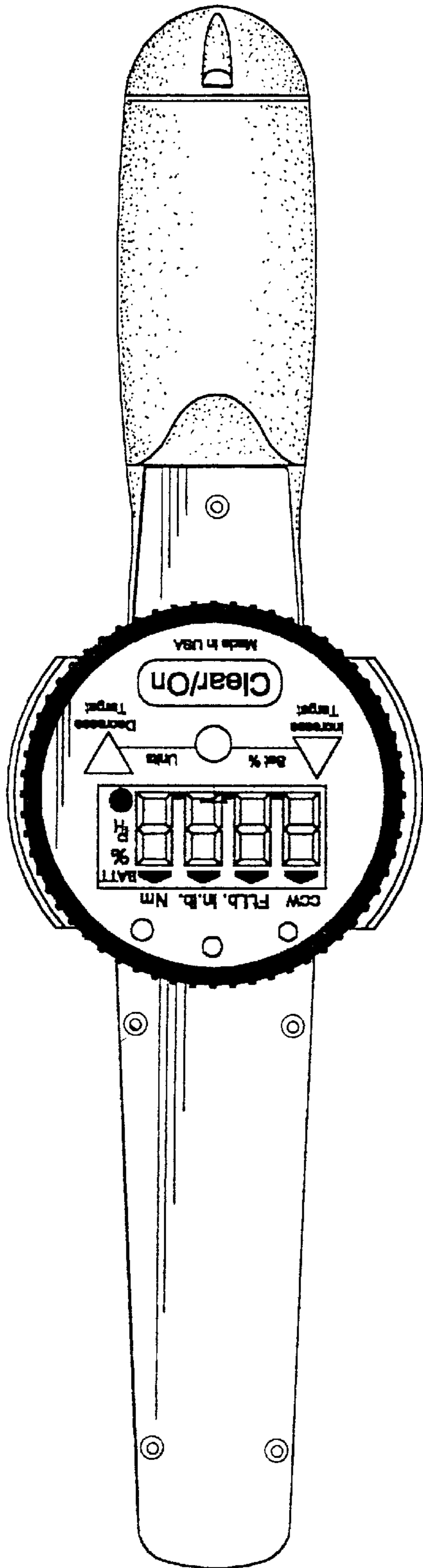


FIG. 1

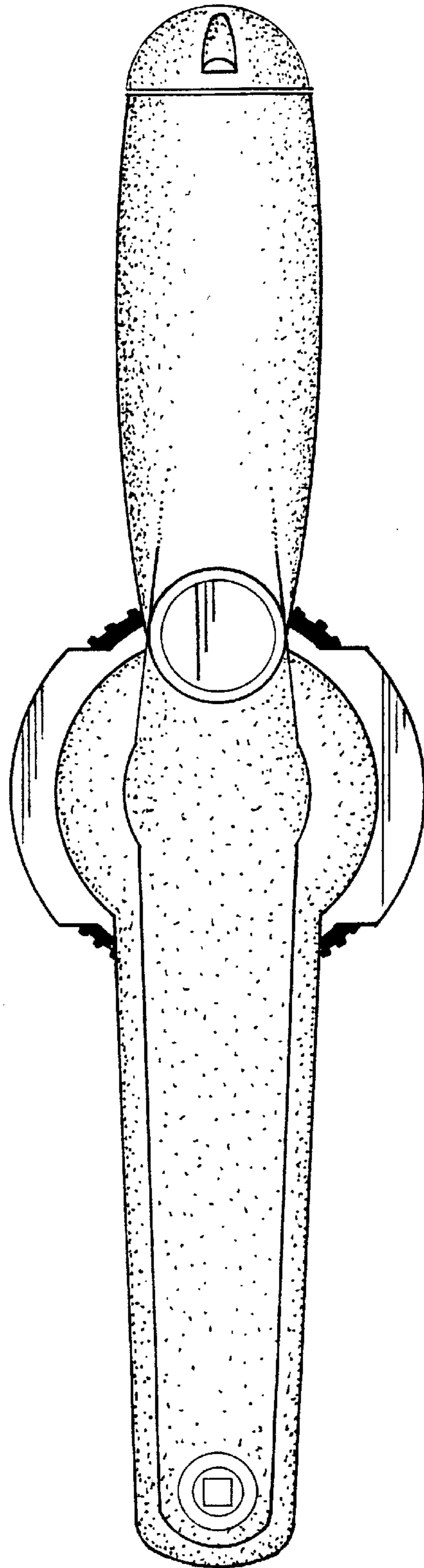


FIG. 2

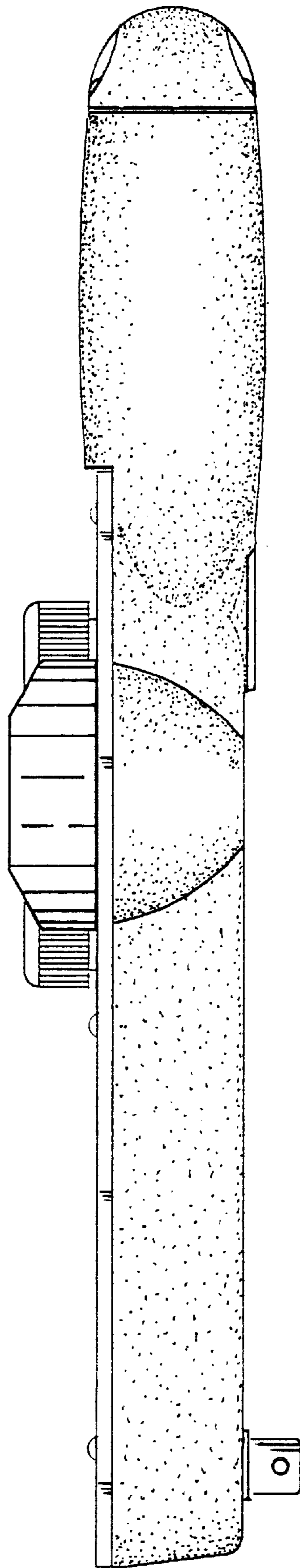


FIG. 3

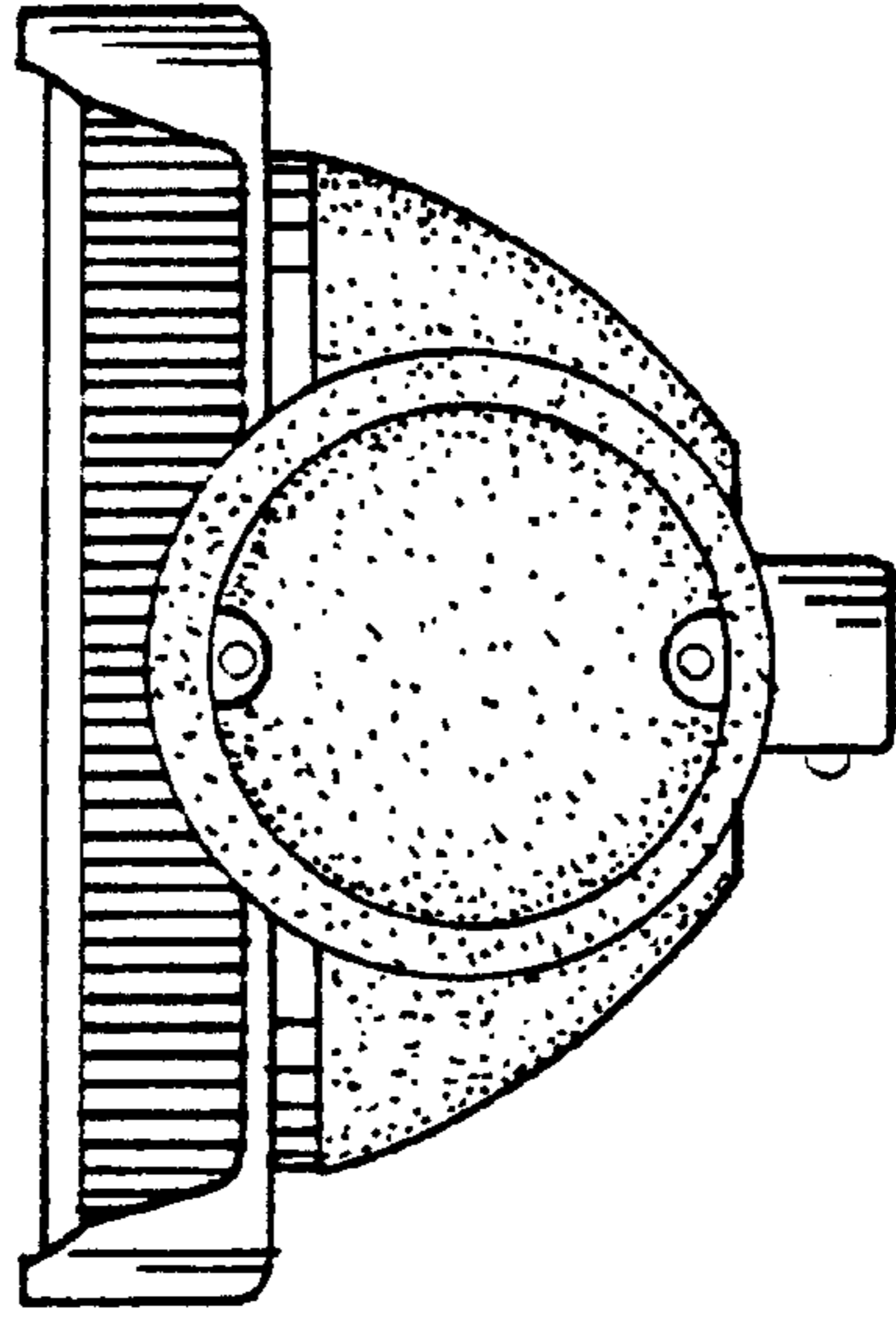


FIG. 5

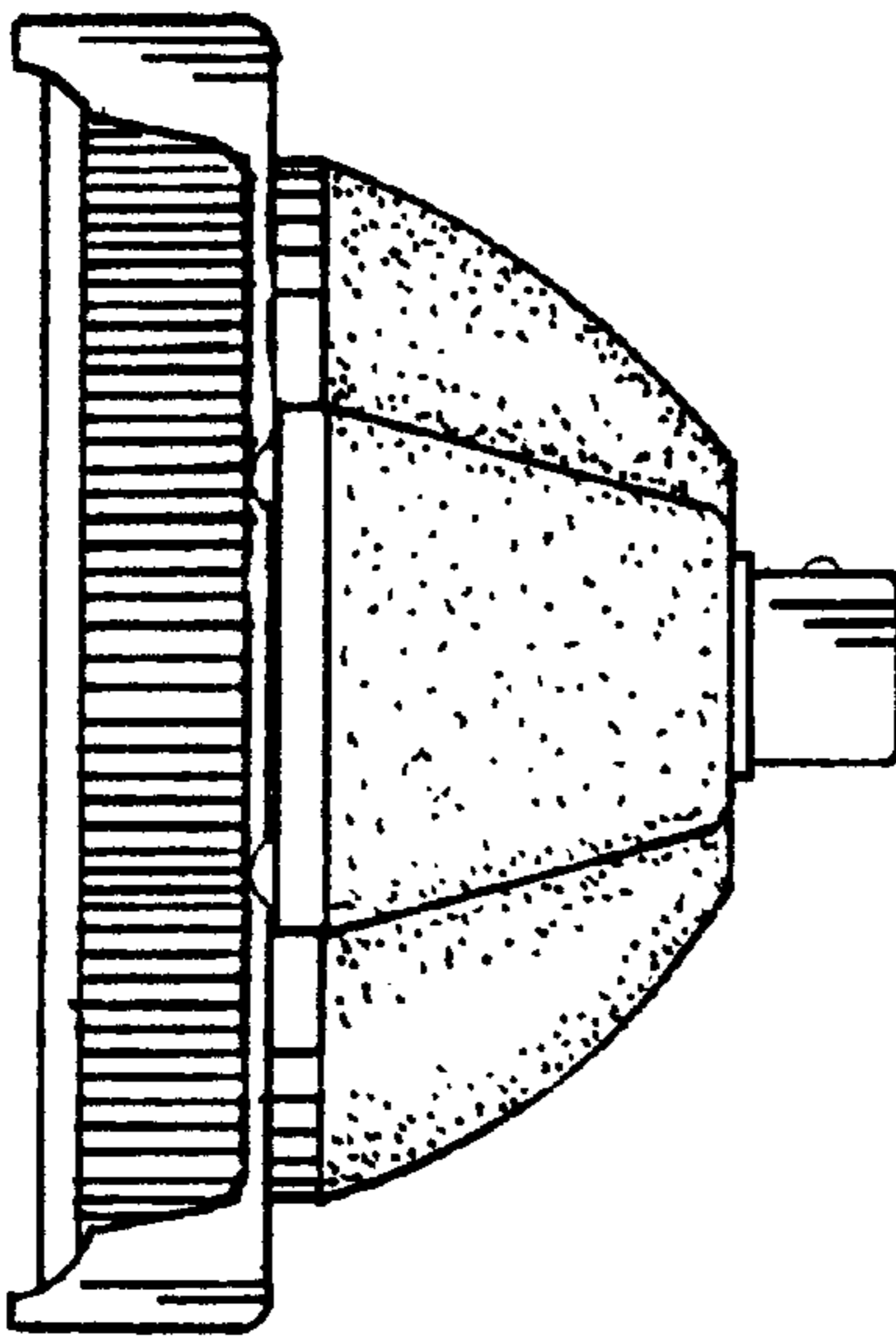


FIG. 4

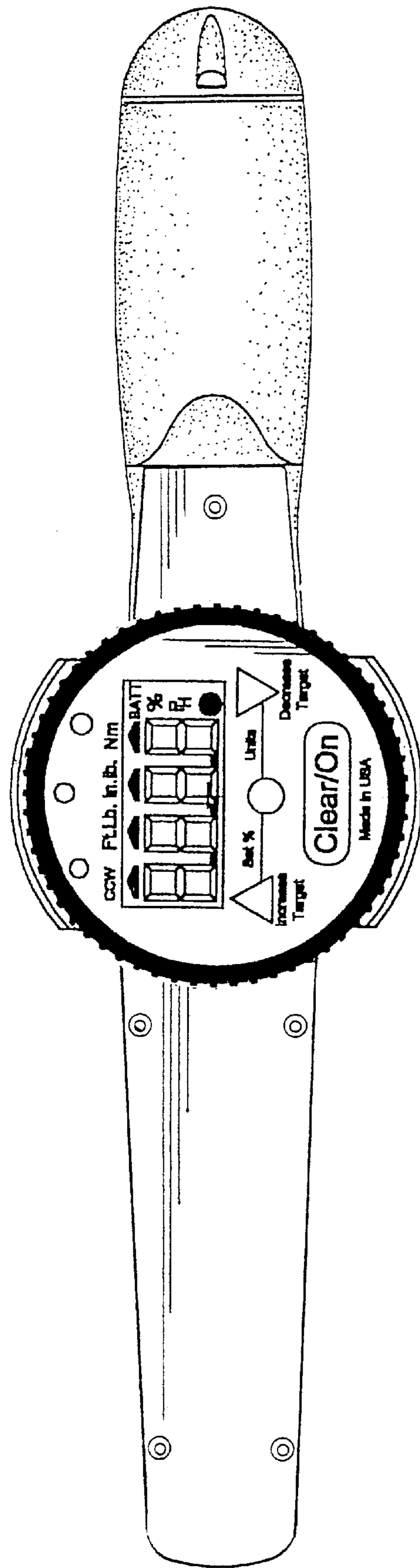


FIG. 6

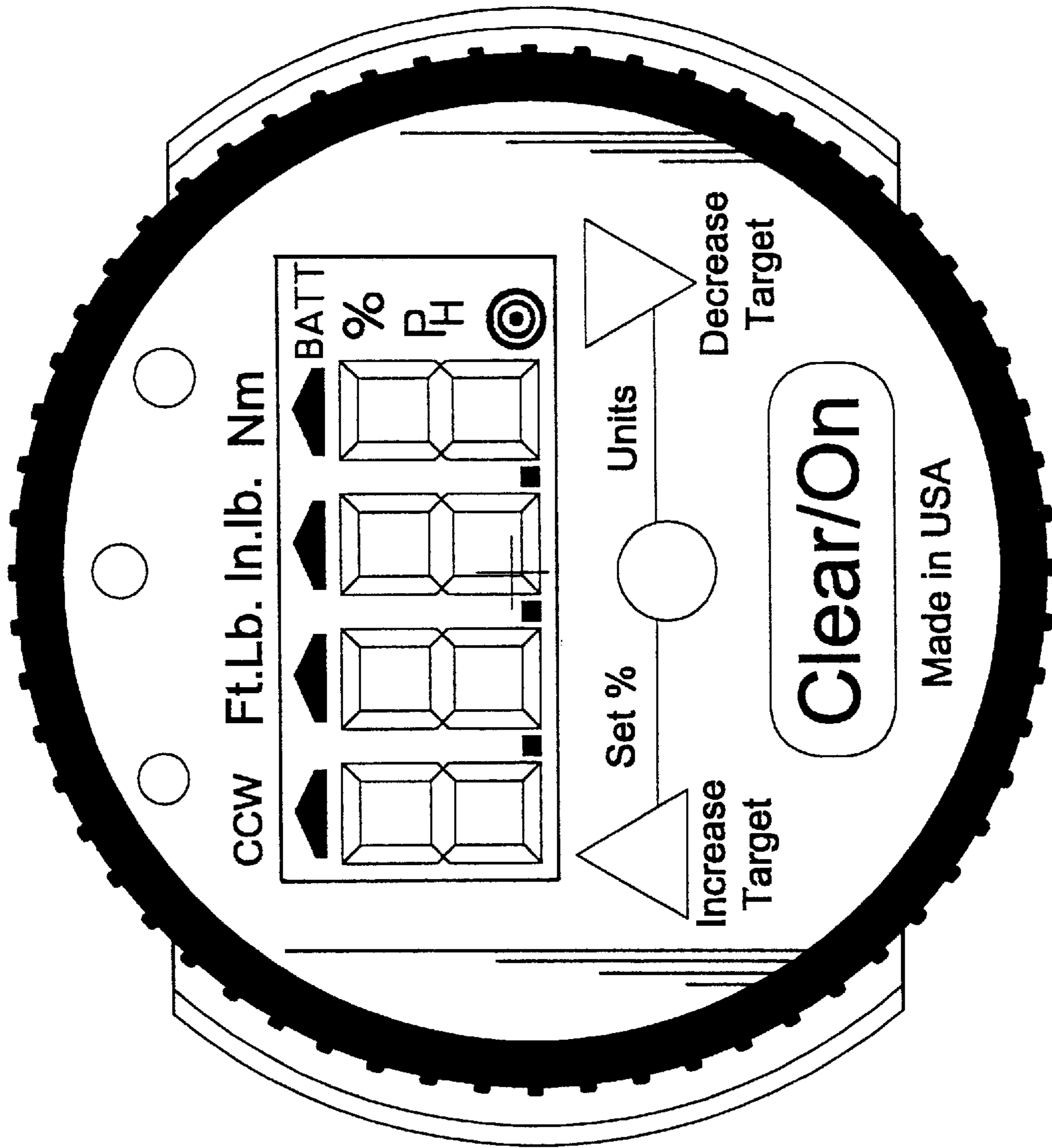


FIG. 7