



US00D458814S

(12) **United States Design Patent**  
**McLaughlin**

(10) **Patent No.:** **US D458,814 S**

(45) **Date of Patent:** **\*\* Jun. 18, 2002**

(54) **WEEDING TOOL FOR VINES AND OTHER PLANT GROWTH**

(76) **Inventor:** **James L. McLaughlin**, 4909 SW. 19th Dr., Portland, OR (US) 97201

(\*\*) **Term:** **14 Years**

(21) **Appl. No.:** **29/147,863**

(22) **Filed:** **Sep. 7, 2001**

(51) **LOC (7) Cl.** ..... **08-01**

(52) **U.S. Cl.** ..... **D8/1**

(58) **Field of Search** ..... D8/1, 12, 10, 11, D8/367, DIG. 7; 172/41, 371; D15/11

(56) **References Cited**

**U.S. PATENT DOCUMENTS**

- D198,264 S \* 5/1964 Margoliz ..... D8/367
- 5,014,792 A \* 5/1991 Gierloff ..... 172/371
- D349,021 S \* 7/1994 Gutknecht ..... D8/1
- D408,695 S \* 4/1999 Milbury ..... D8/1

D411,942 S \* 7/1999 Janky ..... D8/1

\* cited by examiner

*Primary Examiner*—Pamela Burgess  
(74) *Attorney, Agent, or Firm*—Olson and Olson

(57) **CLAIM**

The ornamental design for a weeding tool for vines and other plant growth, as shown and described.

**DESCRIPTION**

FIG. 1 is a perspective view of a weeding tool showing my new design;

FIG. 2 is a top plan view thereof;

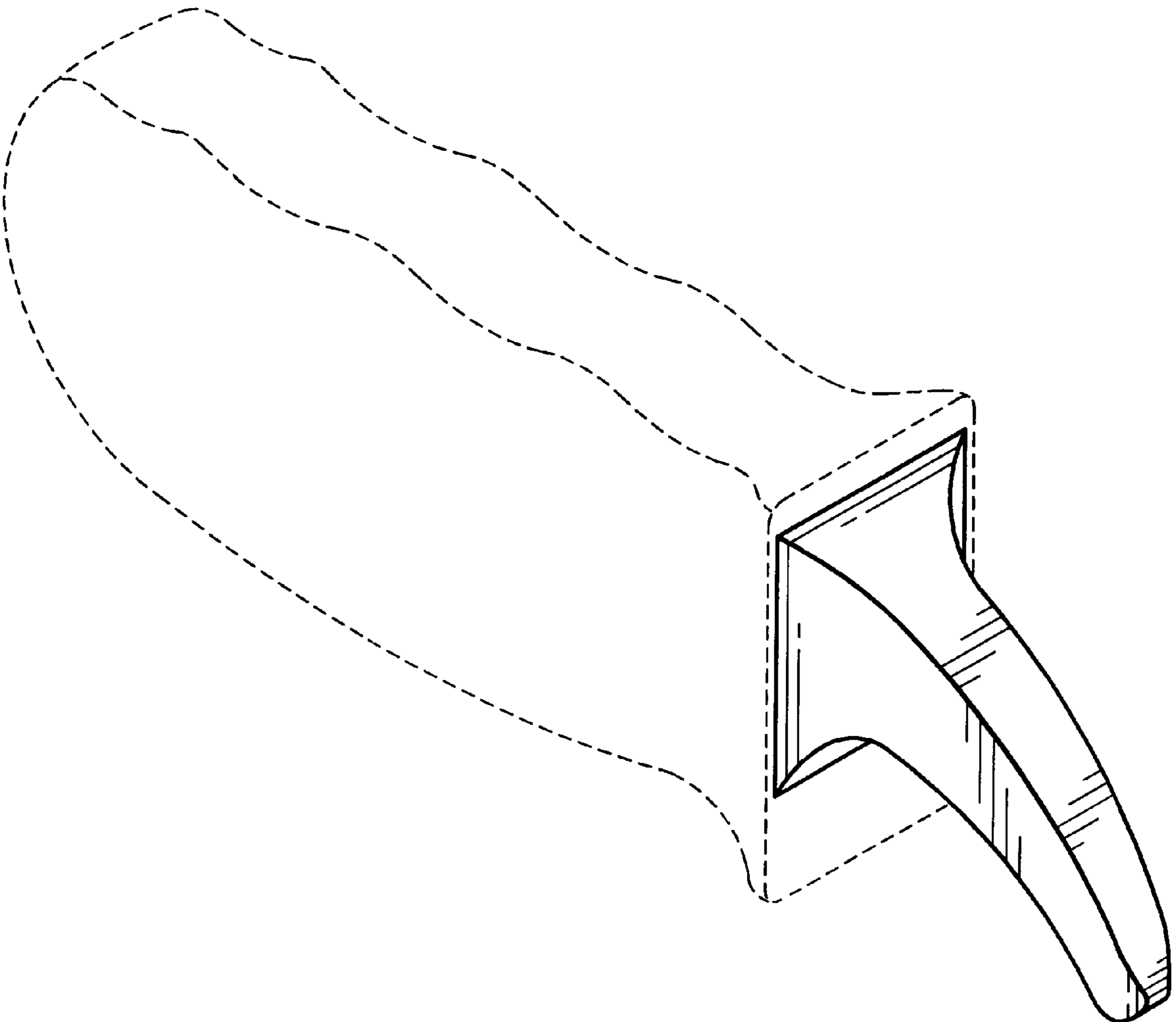
FIG. 3 is a side elevational view, the opposite side elevational view being a mirror image thereof;

FIG. 4 is a bottom plan view thereof; and,

FIG. 5 is a front elevational view thereof.

The broken line showing of a handle member in FIGS. 1–5 are environmental only and form no part of the claimed design.

**1 Claim, 1 Drawing Sheet**



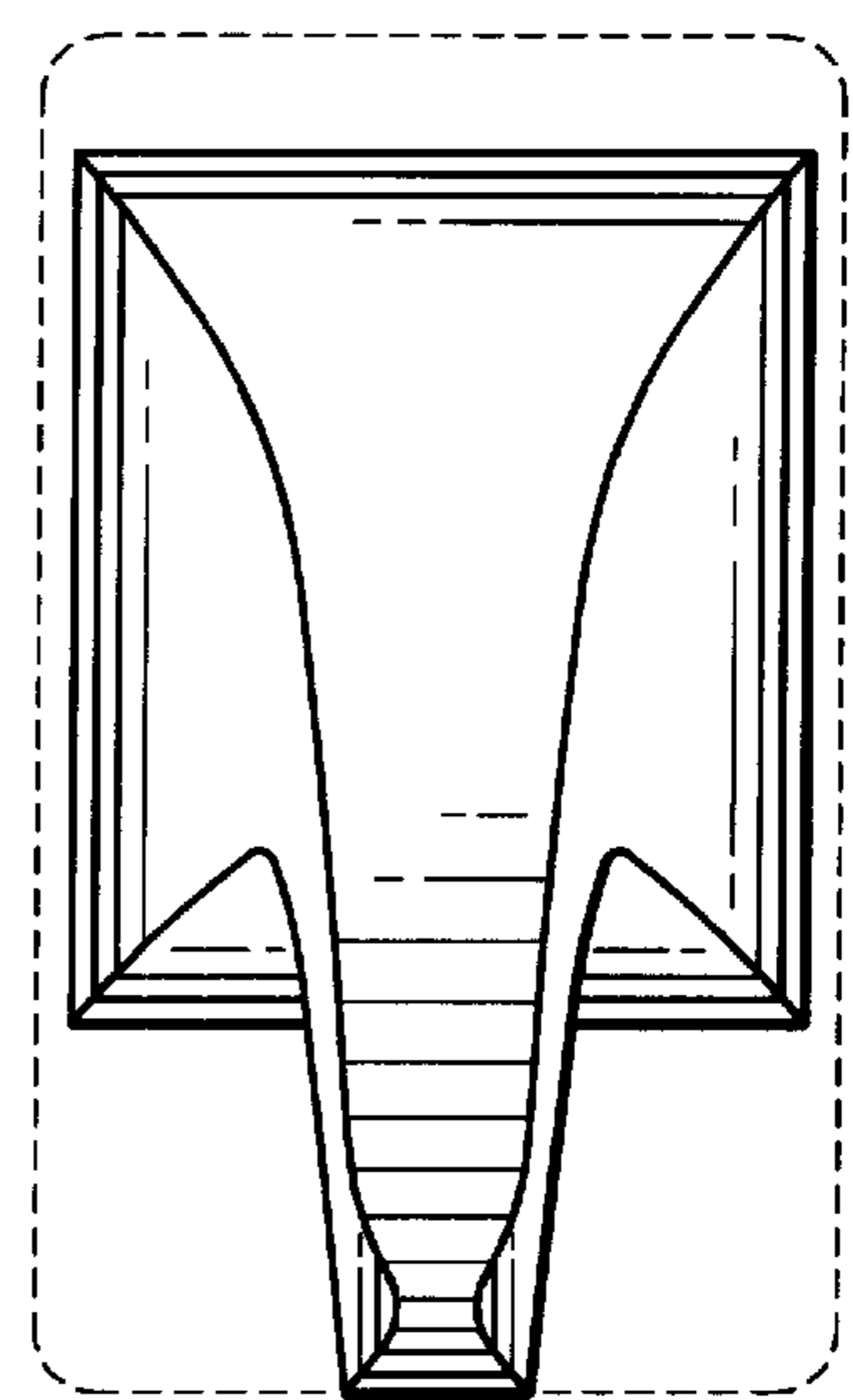
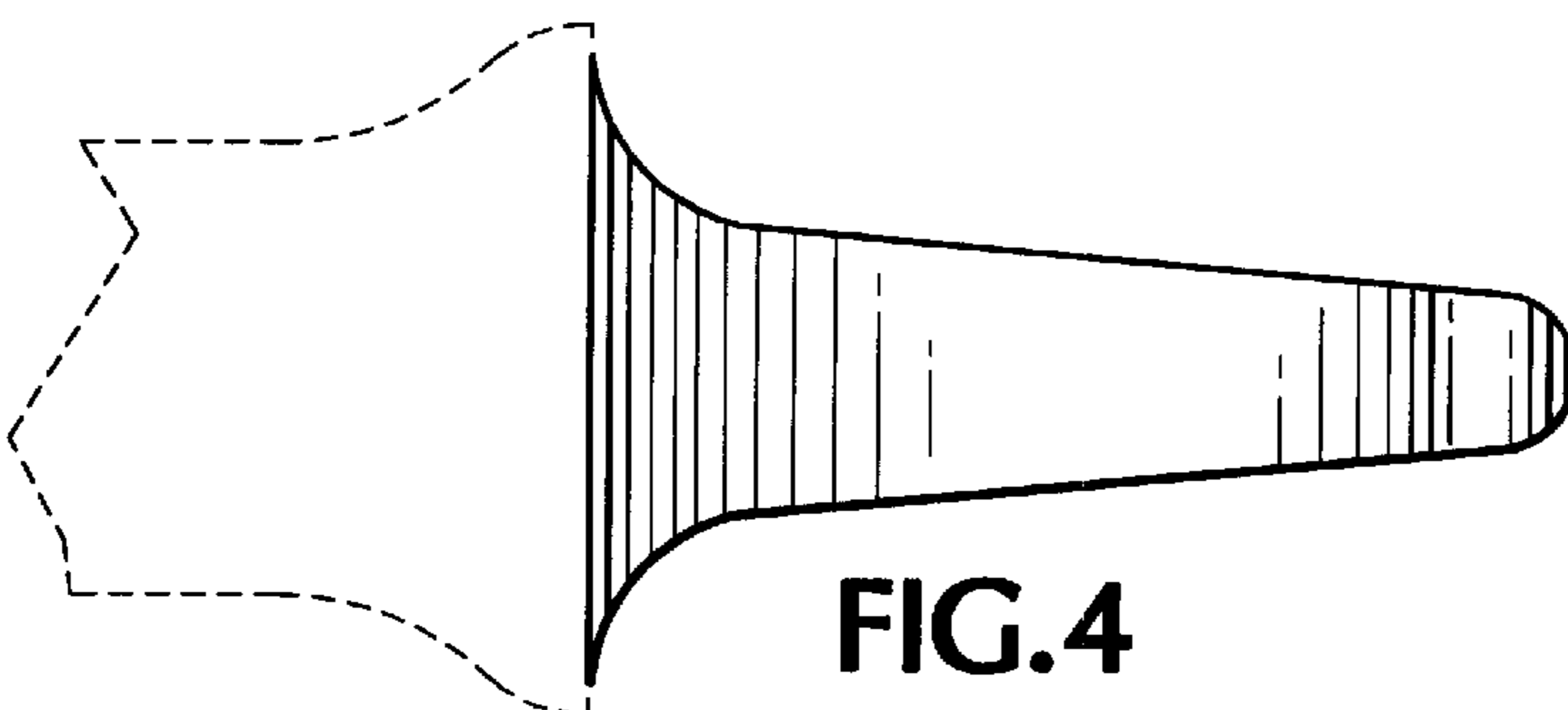
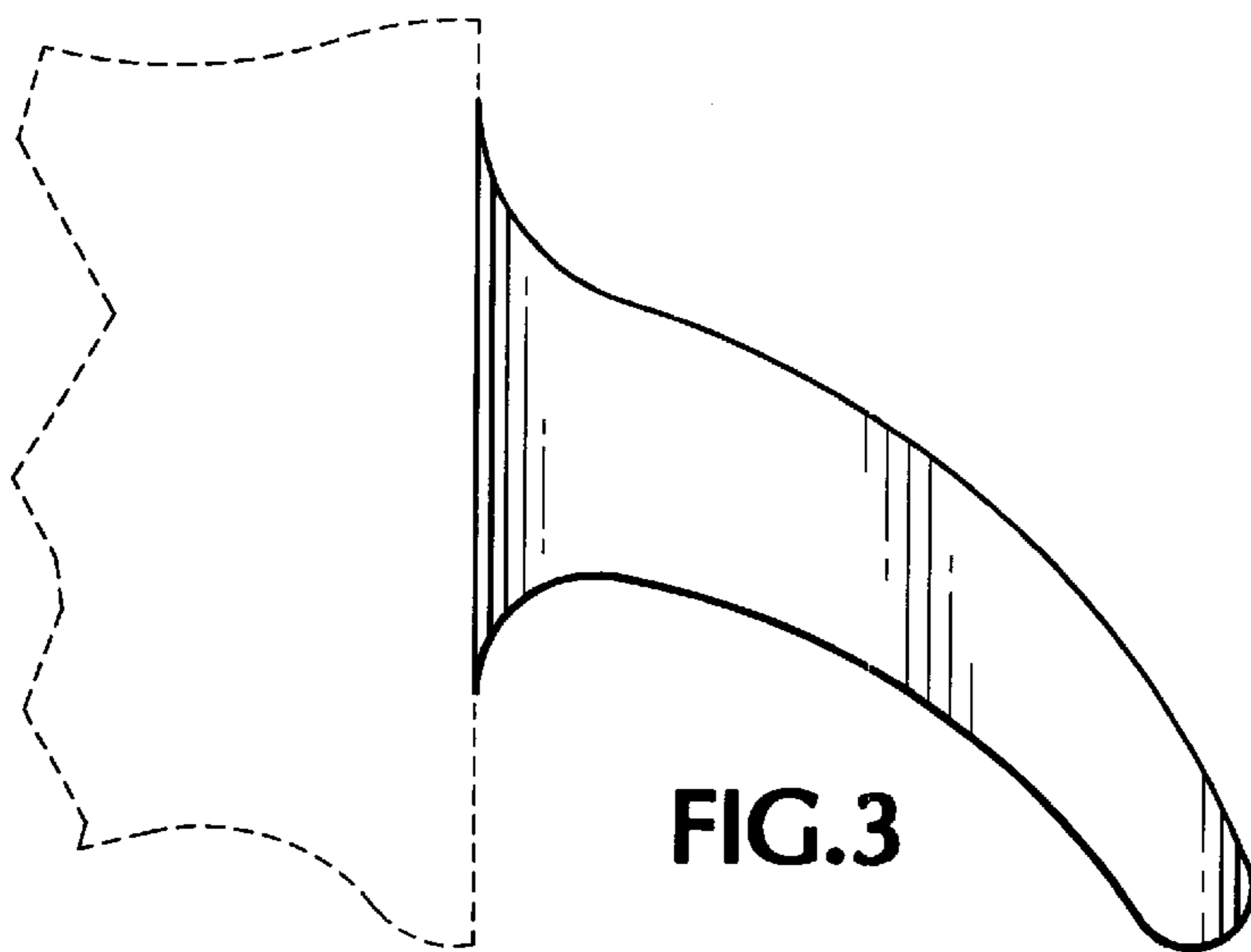
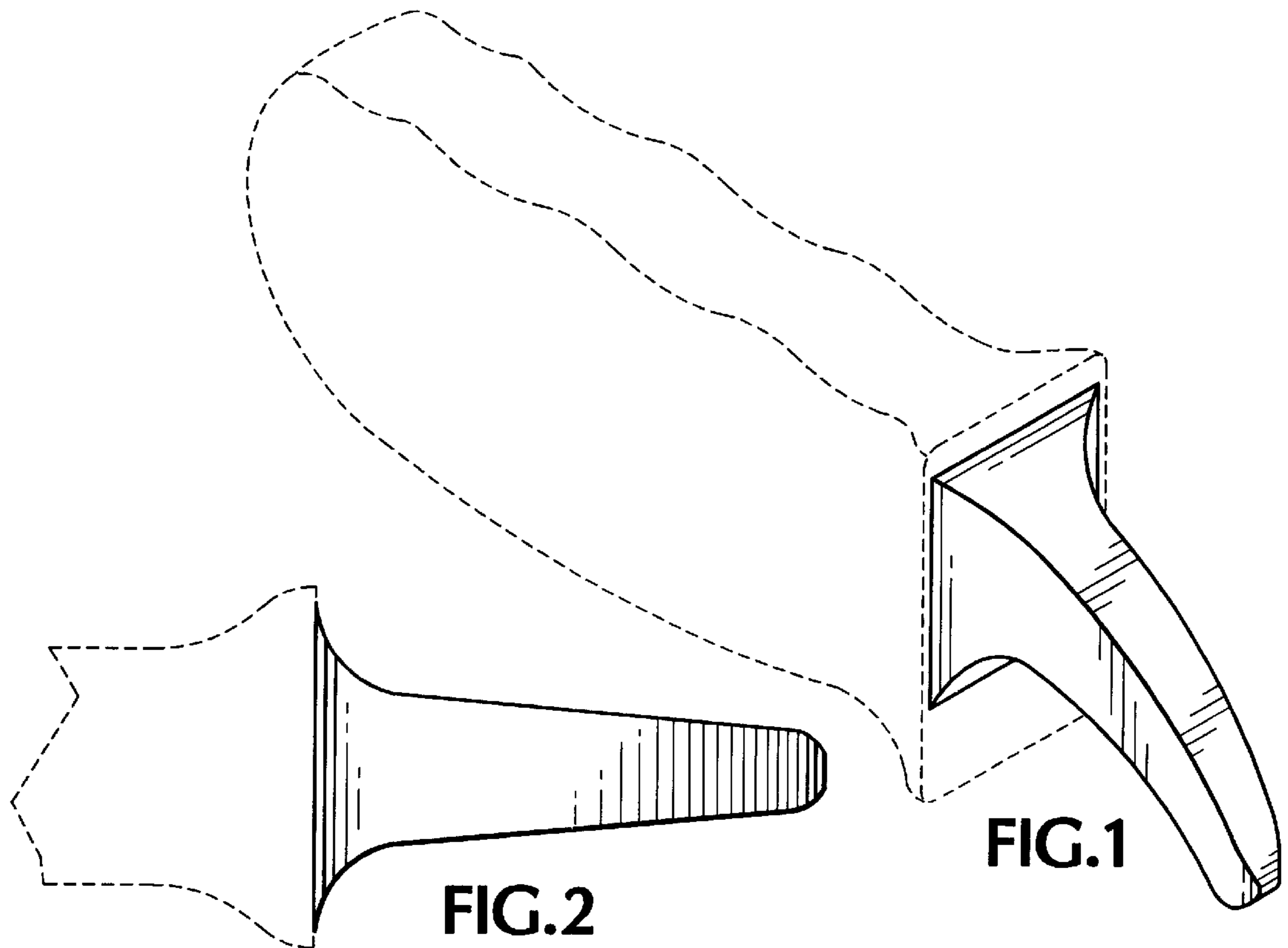


FIG. 5

FIG. 2

FIG. 3

FIG. 4

FIG. 1