



US00D458806S

(12) **United States Design Patent**
Price et al.

(10) **Patent No.:** **US D458,806 S**
(45) **Date of Patent:** **** Jun. 18, 2002**

(54) **BEVERAGE CONTAINER**

(75) Inventors: **Eric Justin Price**, Medford, MA (US);
Glen Nielsen, Kent; **David Kaiser**,
North Haven, both of CT (US)

(73) Assignee: **Punch Products USA, Inc.**, Rahway,
NJ (US)

(**) Term: **14 Years**

(21) Appl. No.: **29/151,232**

(22) Filed: **Nov. 1, 2001**

Related U.S. Application Data

(63) Continuation of application No. 09/911,523, filed on Jul. 24, 2001, which is a continuation-in-part of application No. 09/558,784, filed on Apr. 26, 2000, which is a continuation-in-part of application No. 29/117,842, filed on Jan. 31, 2000, now Pat. No. Des. 446,684, and a continuation-in-part of application No. 29/117,841, filed on Jan. 31, 2000, now Pat. No. Des. 446,997.

(51) **LOC (7) Cl.** **07-01**

(52) **U.S. Cl.** **D7/509; D7/531**

(58) **Field of Search** D7/523, 507, 509,
D7/510, 511, 514, 515, 566, 536, 533,
531; D9/428, 518; 215/382; 229/103.11,
403, 4.5, 400; 220/445, 606, 669, 729,
675, 703, 717; D34/1

(56) **References Cited**

U.S. PATENT DOCUMENTS

- D31,819 S * 11/1899 Shipman et al. D7/509 X
- 1,134,354 A * 4/1915 Seifke 215/382
- D47,354 S * 5/1915 Anderson D7/523
- 2,792,696 A 5/1957 Stayart
- D223,703 S * 5/1972 Cheladze D7/523
- D264,795 S 6/1982 Strieber
- 4,762,229 A 8/1988 Wickre
- 5,249,703 A 10/1993 Karp
- 5,301,830 A 4/1994 Müller

- 5,477,978 A * 12/1995 Lo 220/710
- D370,831 S 6/1996 Steinfels, III et al.
- D371,937 S * 7/1996 Peugeot et al. D7/536
- 5,645,191 A 7/1997 Neville 220/717
- D389,700 S * 1/1998 Bingham D7/509
- D392,842 S * 3/1998 Parpaiola D7/509
- D395,395 S 6/1998 De Muschamp Payne ... D9/518
- 5,803,306 A 9/1998 Lewis
- D399,392 S 10/1998 Husted D7/510 X
- 5,839,599 A 11/1998 Lin
- 5,845,807 A 12/1998 De Villiers 220/703
- D406,985 S * 3/1999 Trombly D7/536
- 5,899,354 A 5/1999 Garcia 206/217 X
- 5,918,761 A 7/1999 Wissinger 220/304 X
- D412,809 S 8/1999 Toro et al. D7/378
- D423,877 S * 5/2000 Kerr D7/509
- D424,877 S * 5/2000 Cayouette D7/523
- D433,205 S * 10/2000 Cayouette D34/1
- D441,609 S * 5/2001 Hsu D7/531

* cited by examiner

Primary Examiner—M. N. Pandozzi

(74) *Attorney, Agent, or Firm*—Pennie & Edmonds LLP

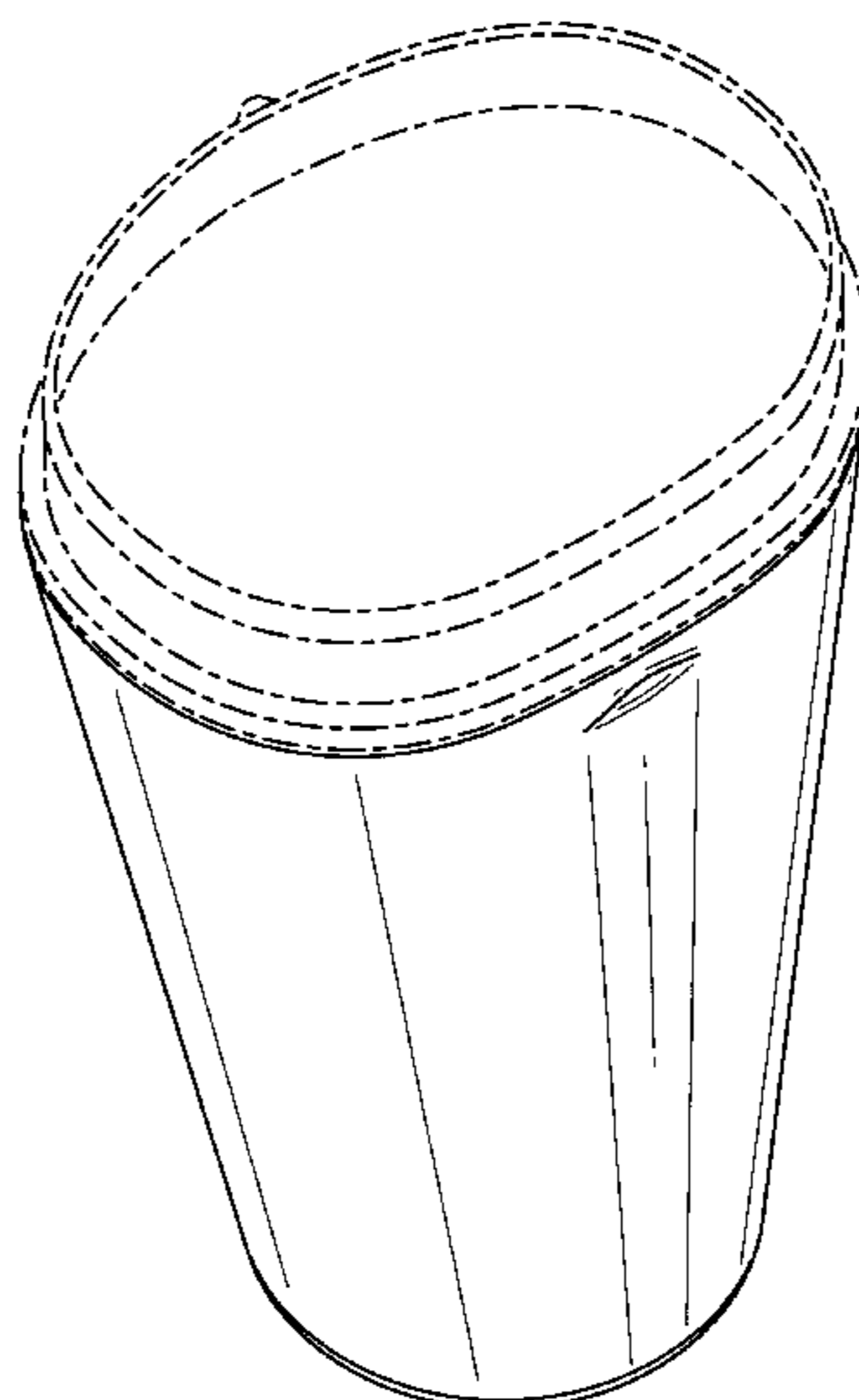
(57) **CLAIM**

The ornamental design for a beverage container, as shown and described.

DESCRIPTION

FIG. 1 is a perspective view of a beverage container according to the present invention;
 FIG. 2 is a front view thereof;
 FIG. 3 is a rear view thereof;
 FIG. 4 is a right side view thereof, the left side view being a mirror image thereof;
 FIG. 5 is a bottom view thereof; and,
 FIG. 6 is a perspective view thereof, with a beverage container lid shown in broken lines and, therefore, not constituting part of the claimed design.
 All broken lines in the above figures are for illustrative purposes only and form no part of the claimed design.

1 Claim, 6 Drawing Sheets



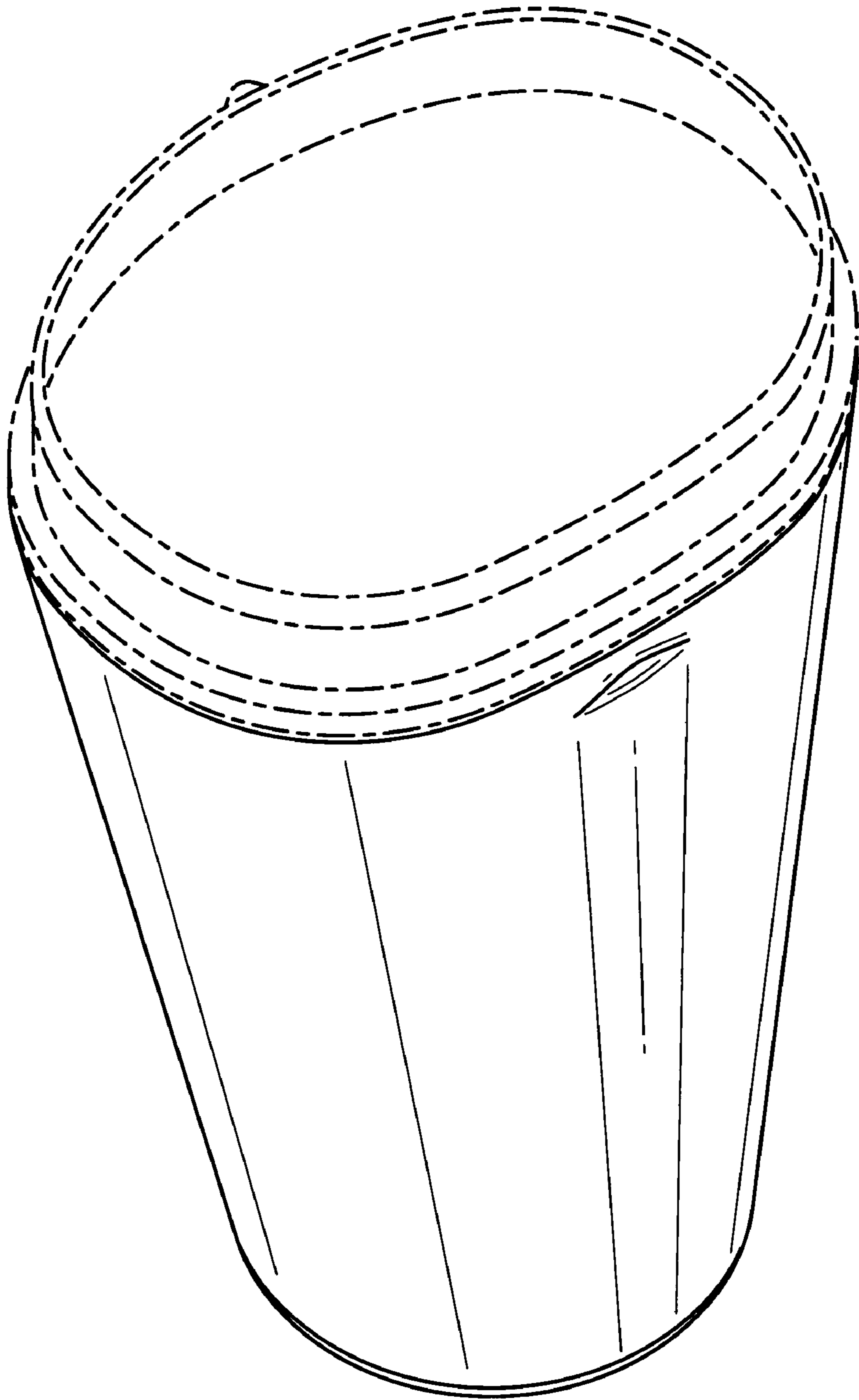


FIG. 1

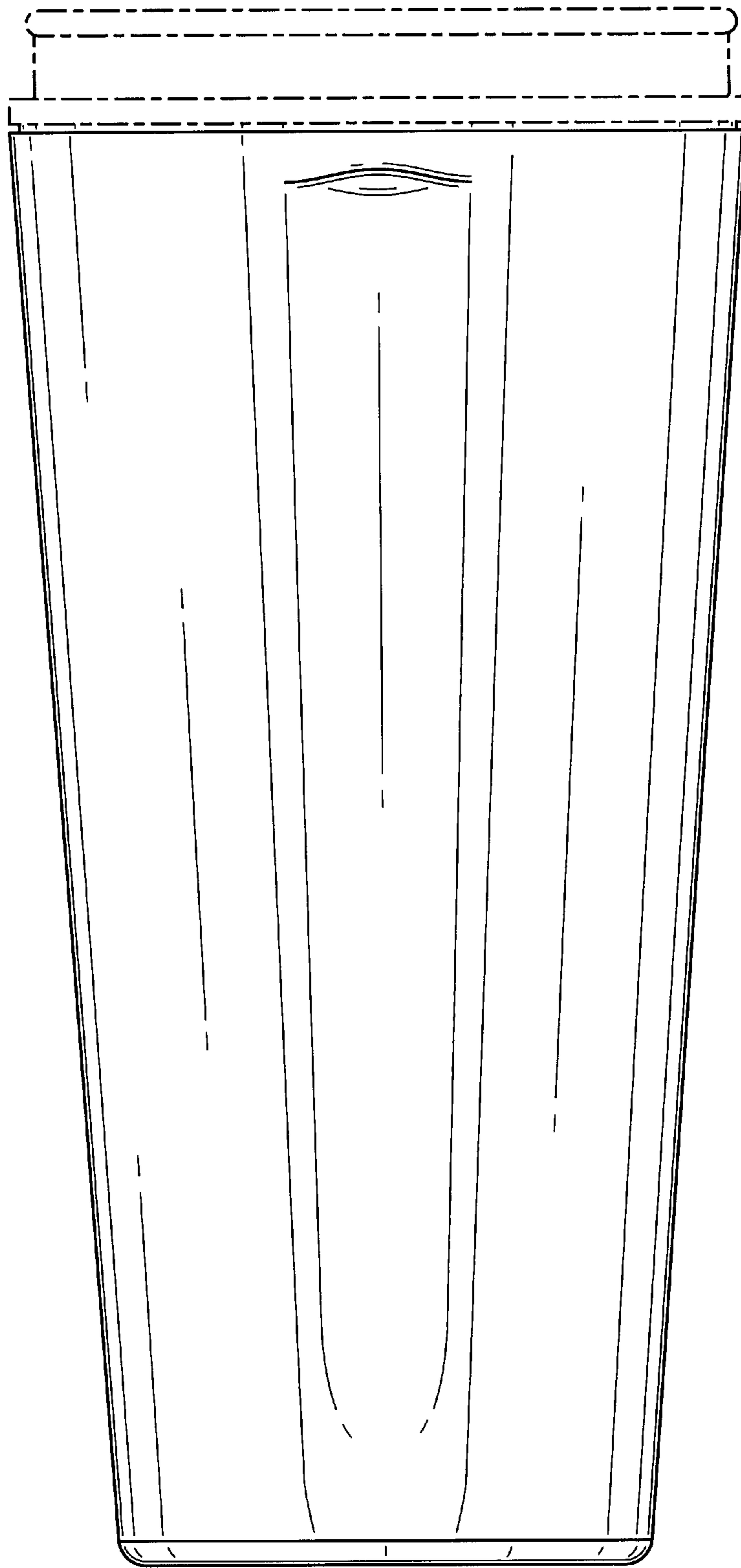


FIG. 2

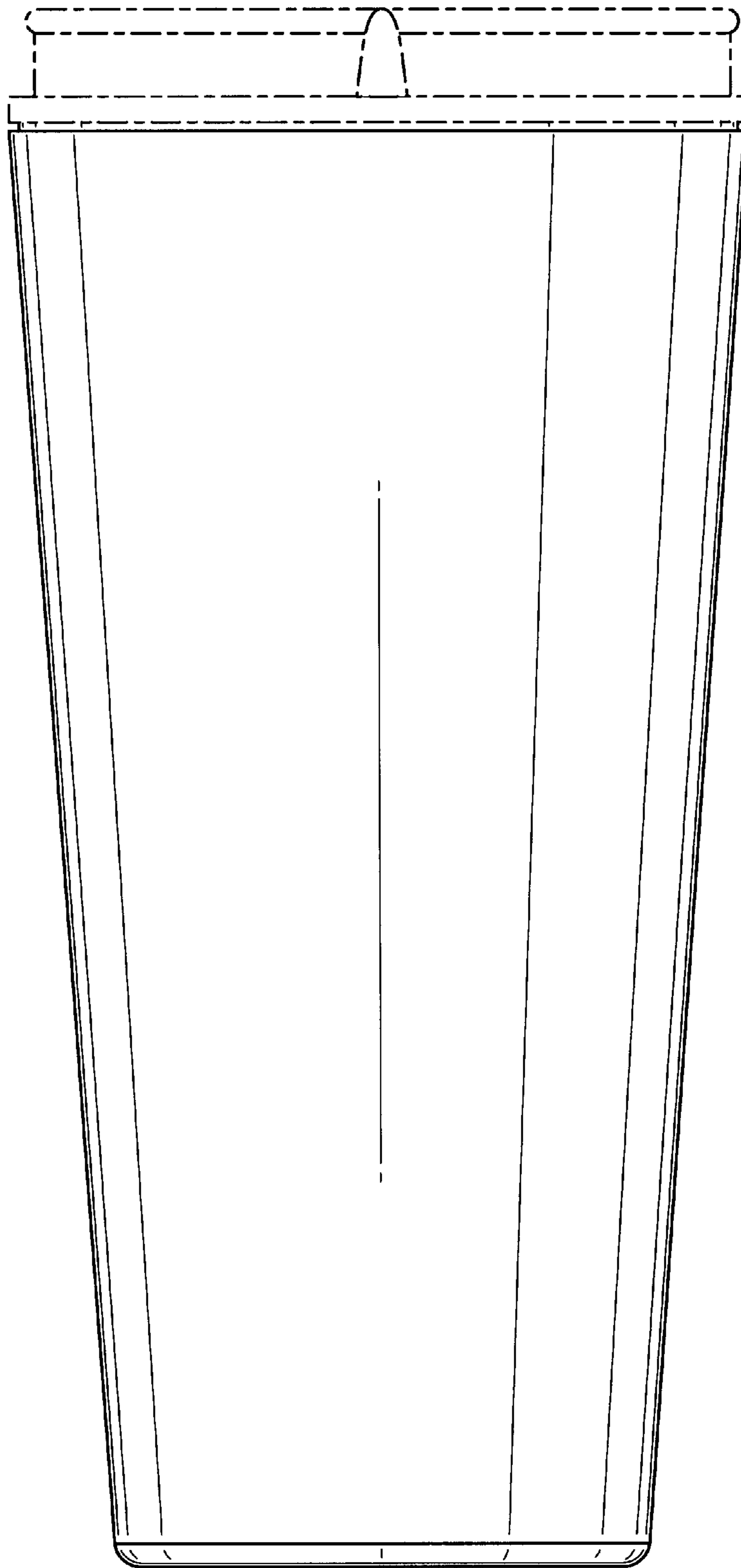


FIG. 3

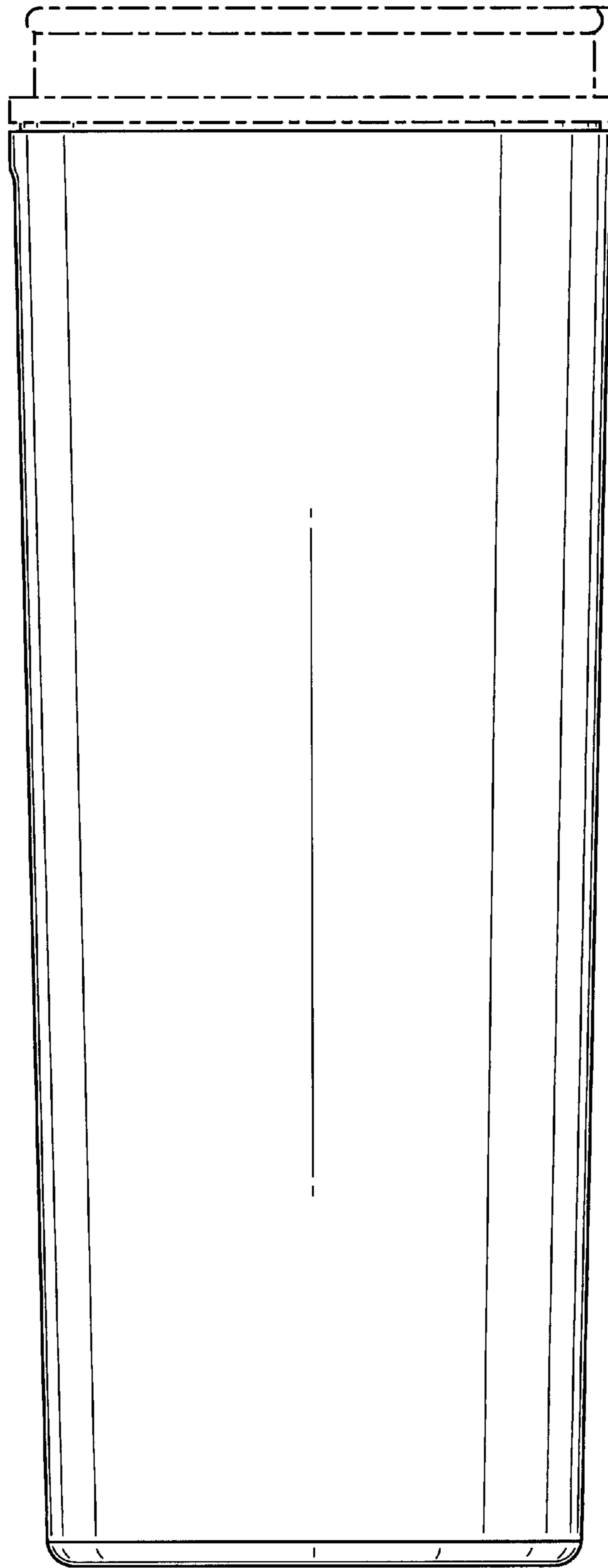


FIG. 4

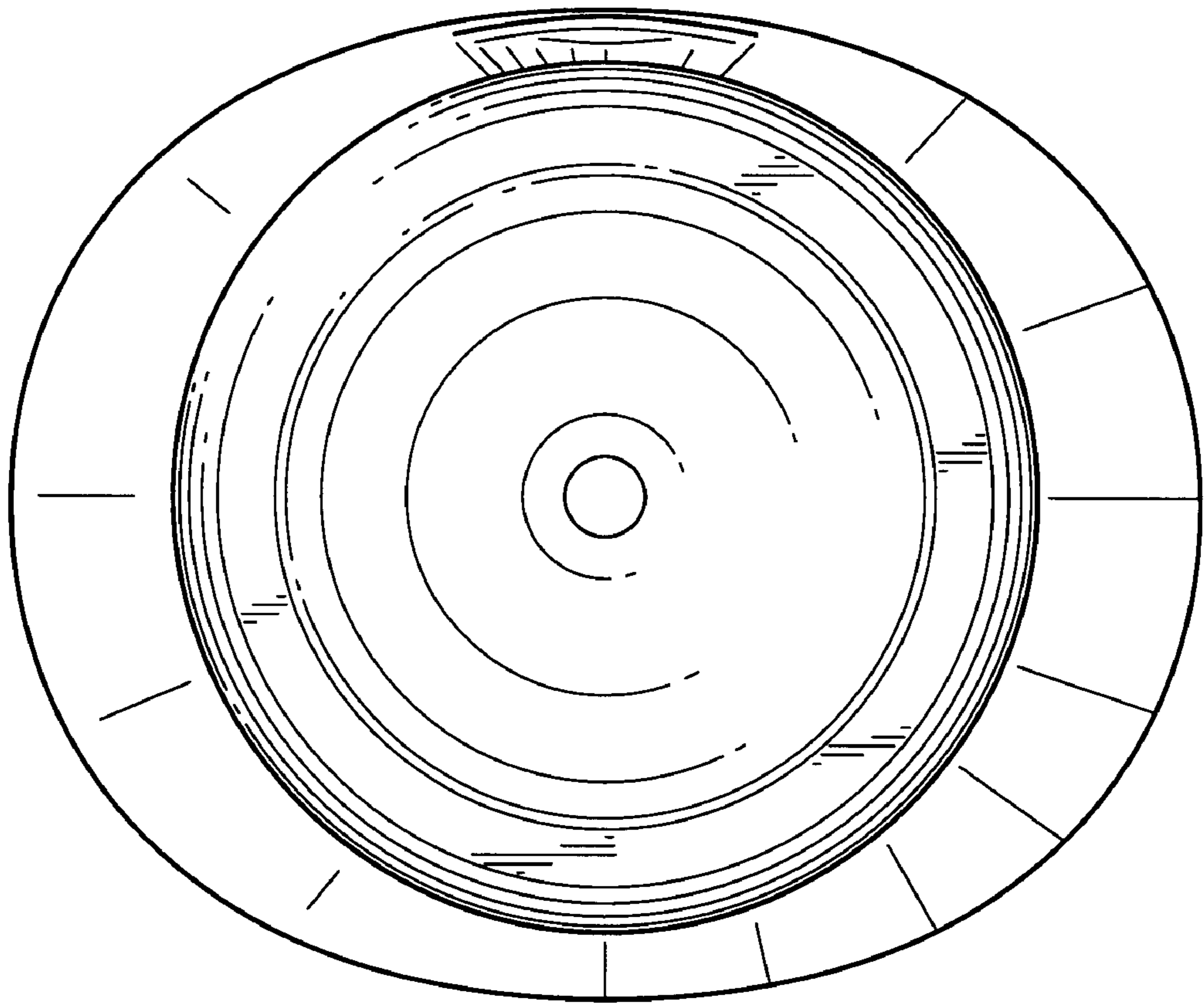


FIG. 5

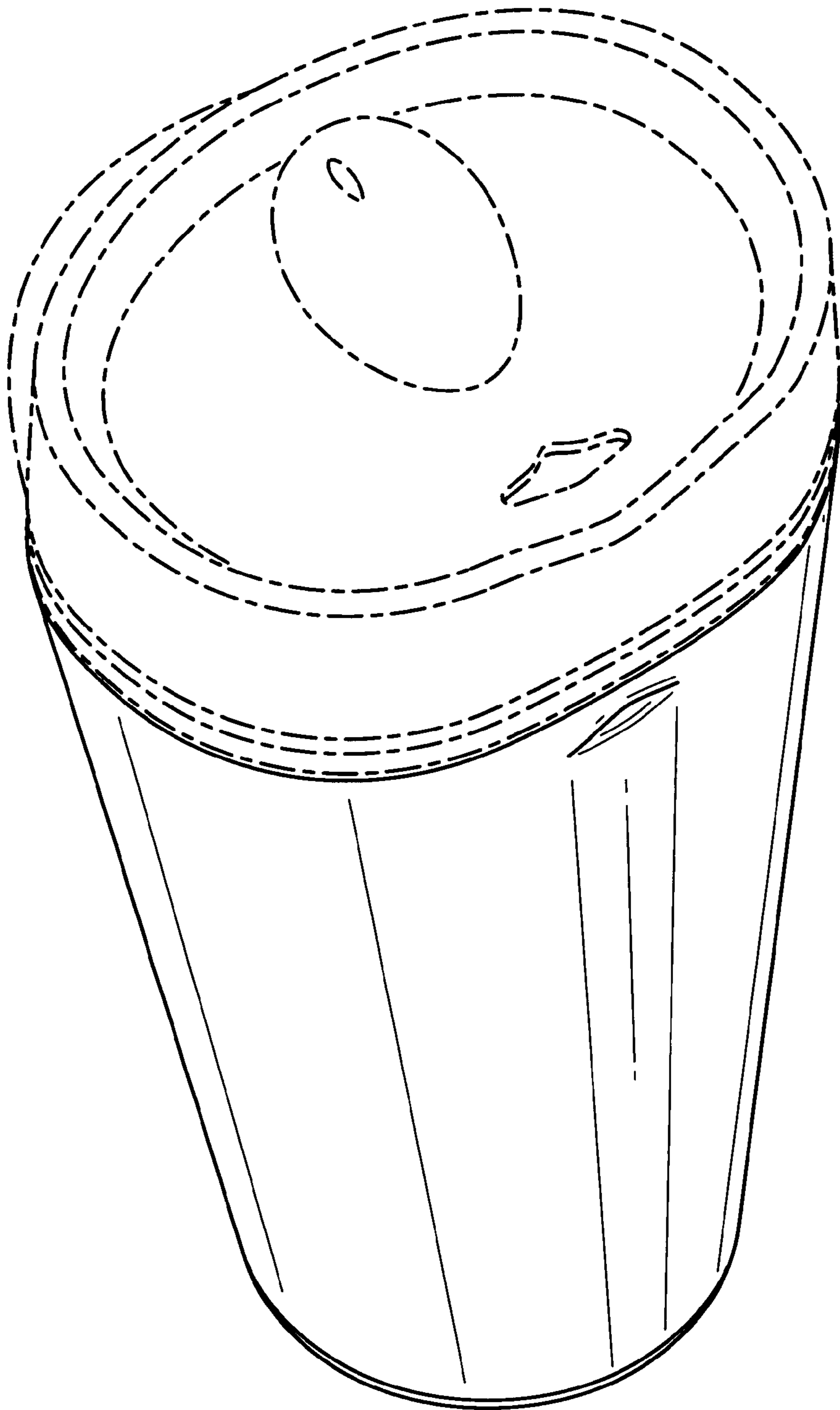


FIG. 6