



US00D458799S

(12) **United States Design Patent**
Andujar

(10) **Patent No.:** **US D458,799 S**

(45) **Date of Patent:** **** Jun. 18, 2002**

(54) **ACCESSORY FOR CONTAINER**
(75) Inventor: **Mina Andujar**, Springfield, IL (US)
(73) Assignee: **Design Ideas, Ltd.**, Springfield, IL (US)
(**) Term: **14 Years**

5,048,307 A * 9/1991 Baxter 62/457.4
D332,802 S * 1/1993 Greenhut et al. D19/85
D337,487 S * 7/1993 Ramsey et al. D7/619
D375,229 S * 11/1996 DiBella D7/619
D425,756 S * 5/2000 Lipson D7/507
D429,601 S * 8/2000 Lipson D7/507
D429,602 S * 8/2000 Lipson D7/507

* cited by examiner

(21) Appl. No.: **29/137,996**
(22) Filed: **Mar. 2, 2001**

Primary Examiner—M. N. Pandozzi
(74) *Attorney, Agent, or Firm*—SAIDMAN DesignLaw Group

(51) **LOC (7) Cl.** **07-99**
(52) **U.S. Cl.** **D7/388; D7/387; D7/396.2; D7/396.6; D7/619**
(58) **Field of Search** D7/619, 618, 704, D7/623, 507, 624, 300.2, 529, 396.1, 396.2, 294/27.1; 215/396; 248/230.7, 200, 311.2, 145.6, 490, 153; 229/800; D19/85; 270/490, 23.4, 743, 737; 5/256

(57) **CLAIM**

The ornamental design for an accessory for container, as shown and described.

DESCRIPTION

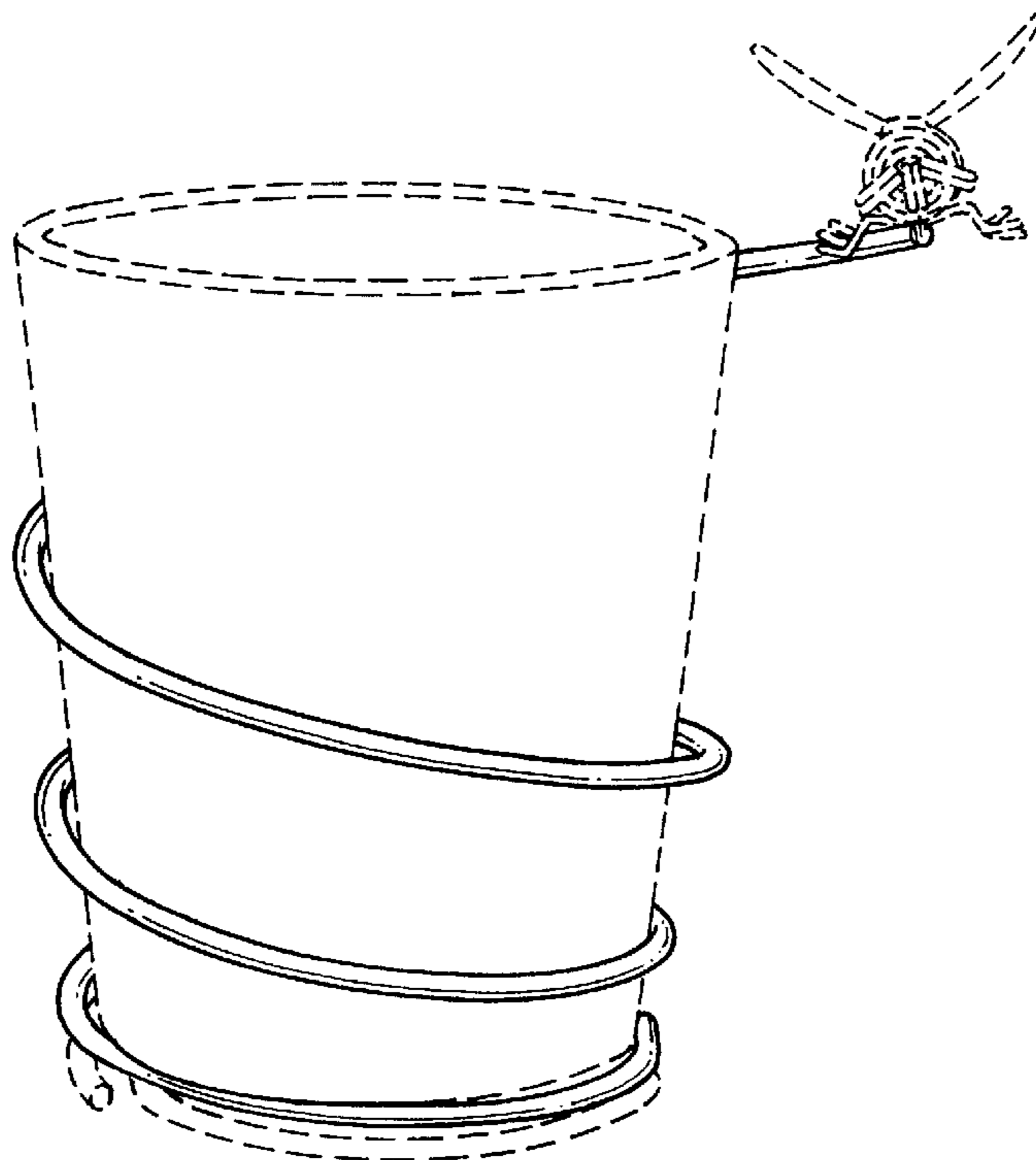
FIG. 1 is a perspective view of an accessory for container showing my new design;
FIG. 2 is a front view thereof;
FIG. 3 is a rear view thereof;
FIG. 4 is a right side view thereof;
FIG. 5 is a left side view thereof;
FIG. 6 is a top view thereof; and,
FIG. 7 is a perspective view of a second embodiment of my design.

The bottom view is omitted and forms no part of the claimed design.

The broken lines in the drawings are for illustrative purposes only and form no part of the claimed design.

(56) **References Cited**
U.S. PATENT DOCUMENTS
556,337 A * 3/1896 Dawes 220/737
D28,896 S * 6/1898 Comstock 5/256
712,355 A * 10/1902 Blossom 294/166
1,459,192 A * 6/1923 Bell 220/490
2,307,882 A * 1/1943 Freud et al. 220/23.4
2,372,107 A * 3/1945 Natho D7/618 X
2,520,818 A * 8/1950 Terry 248/153
2,632,320 A * 3/1953 Liss 248/311.2
2,873,850 A * 2/1959 Ortegren 248/200
4,548,349 A * 10/1985 Tunberg 229/800
D308,802 S * 6/1990 Ward D7/619

1 Claim, 5 Drawing Sheets



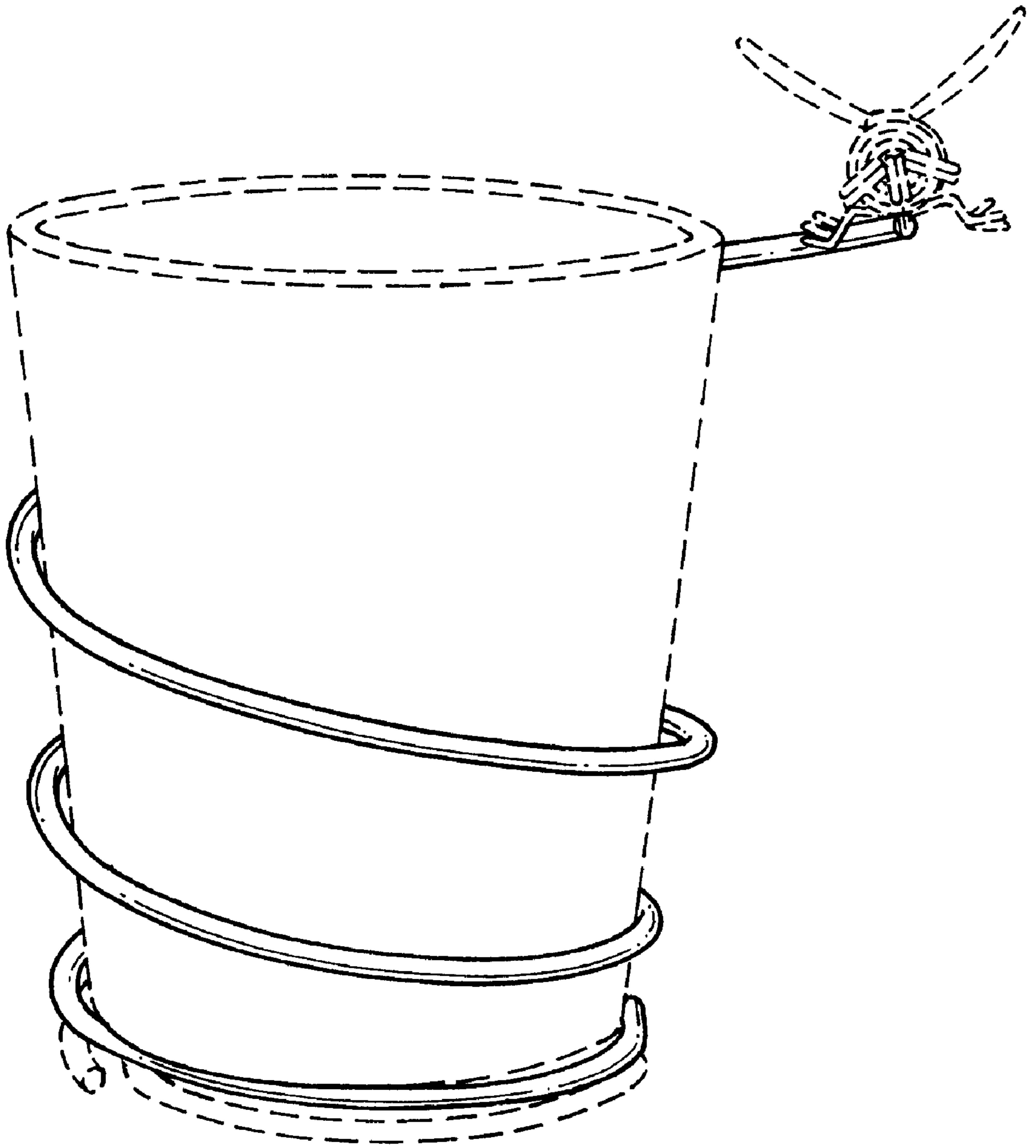


FIG.1

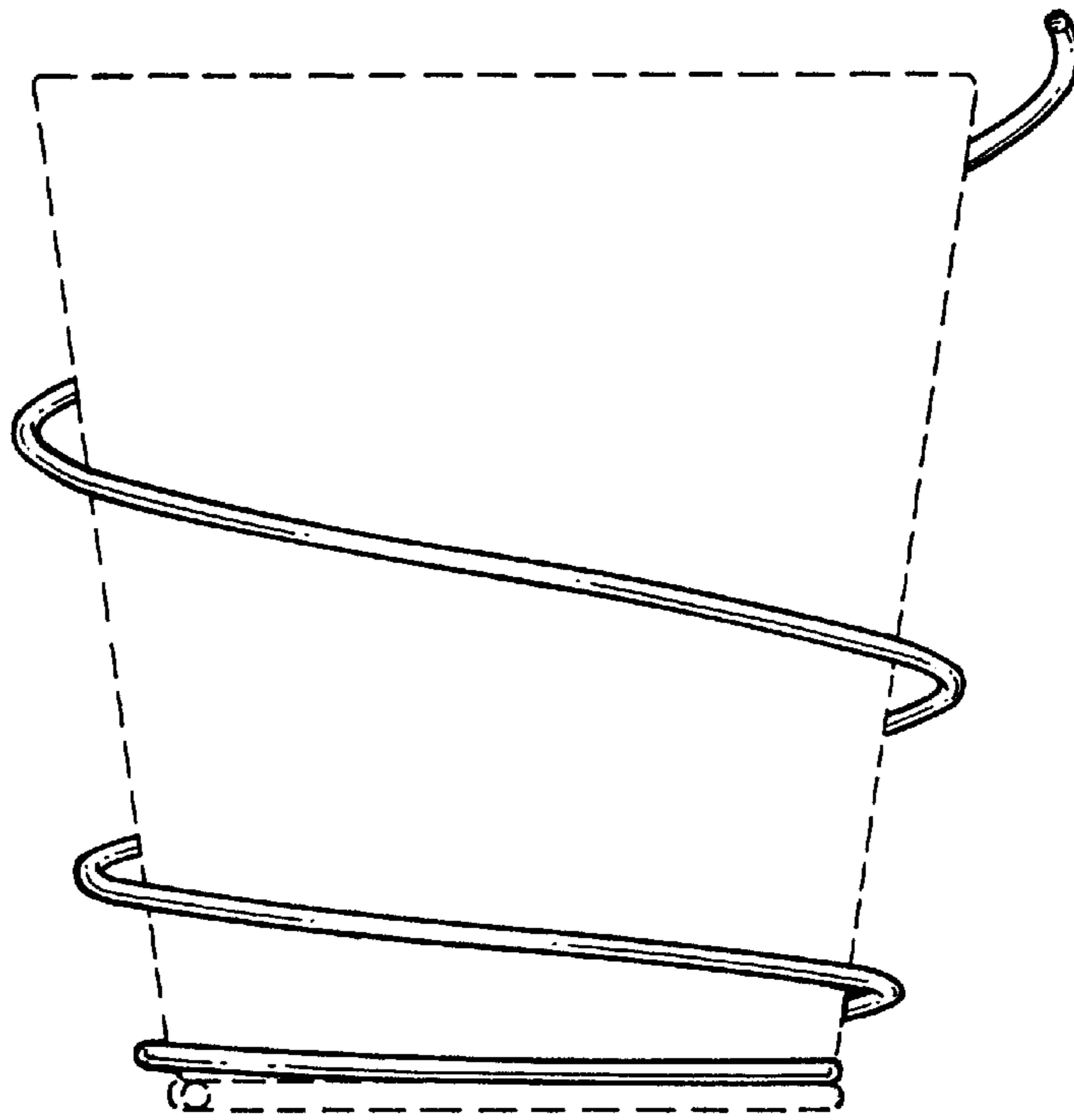


FIG. 2

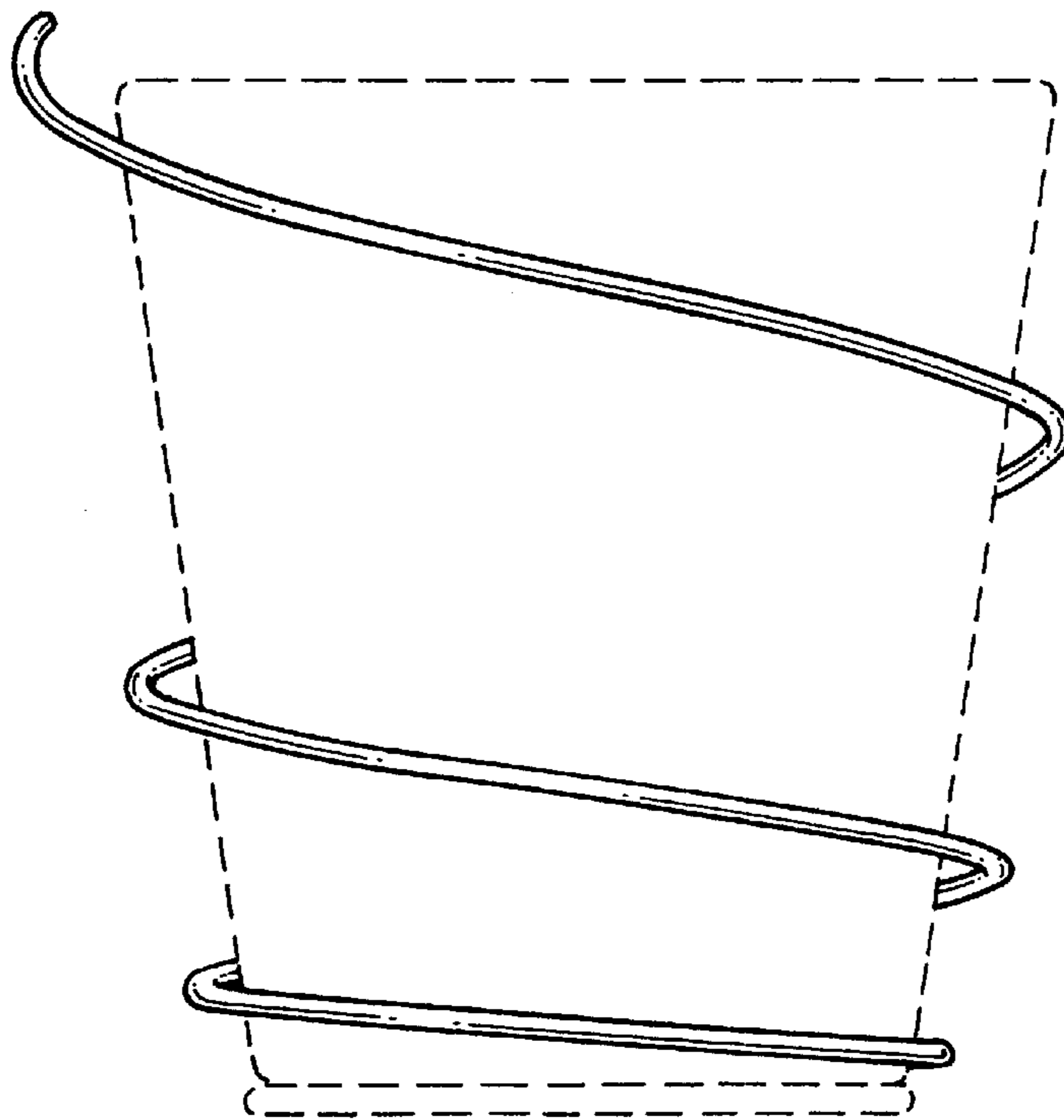


FIG. 3

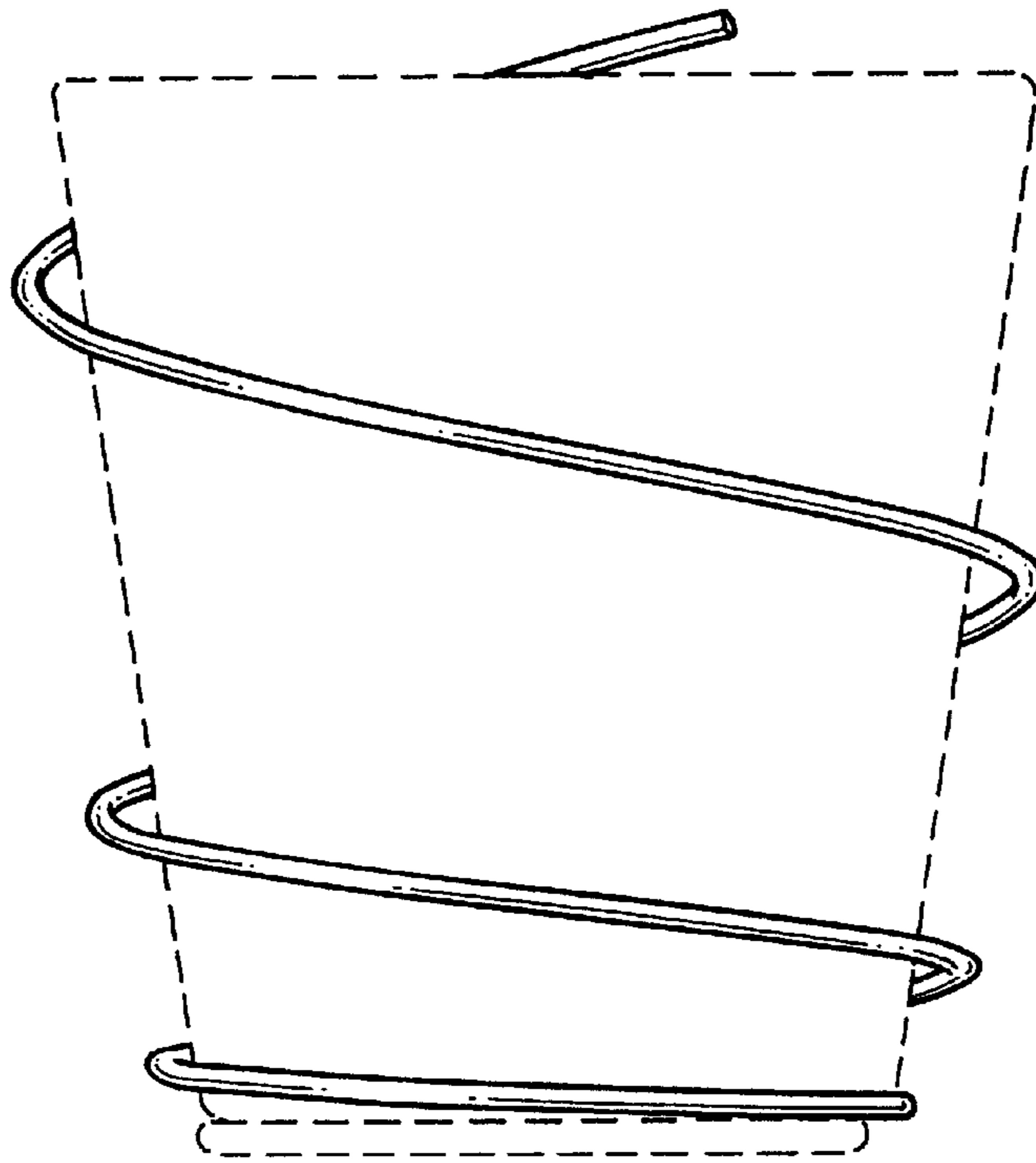


FIG. 4

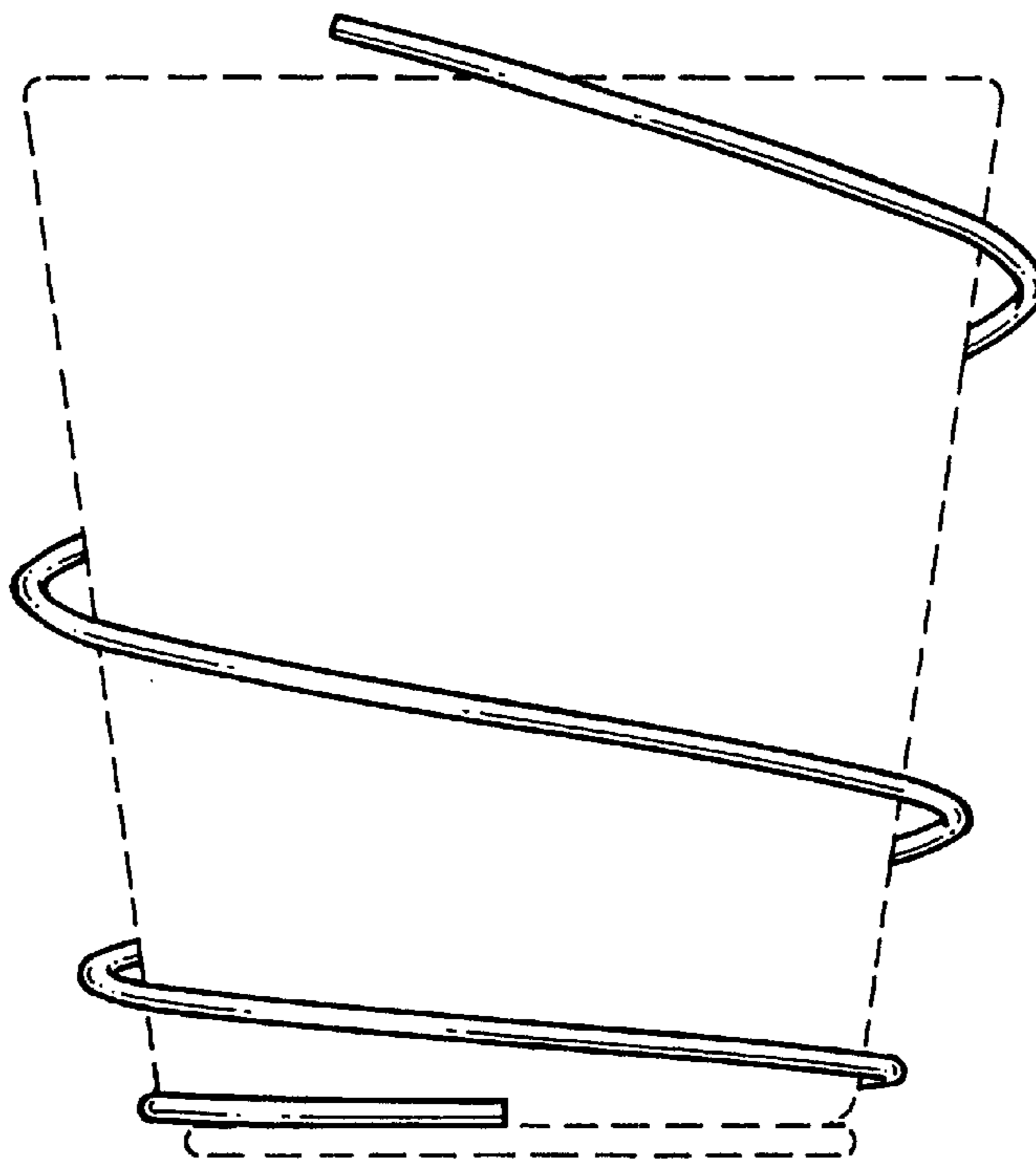


FIG. 5

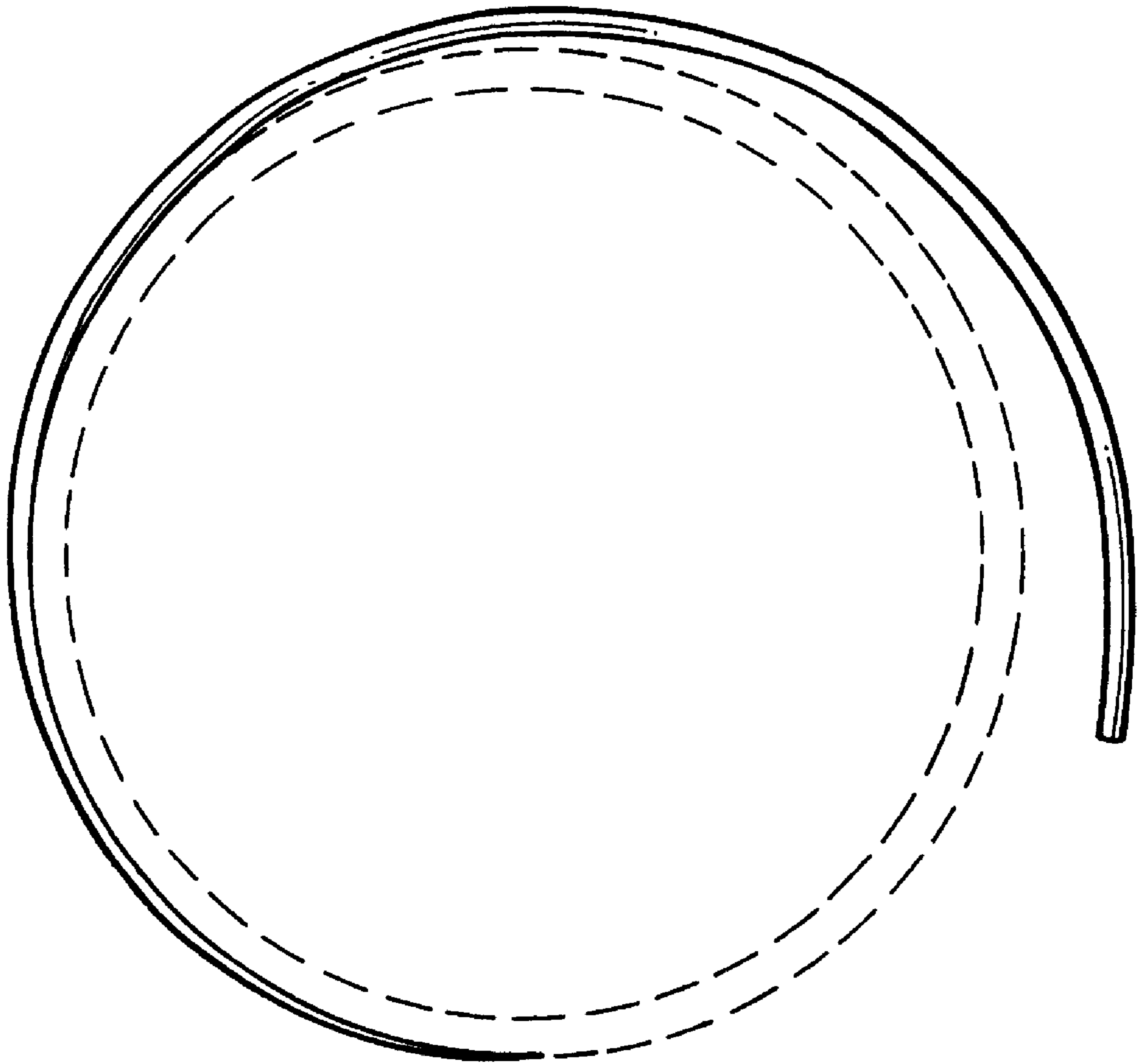


FIG. 6

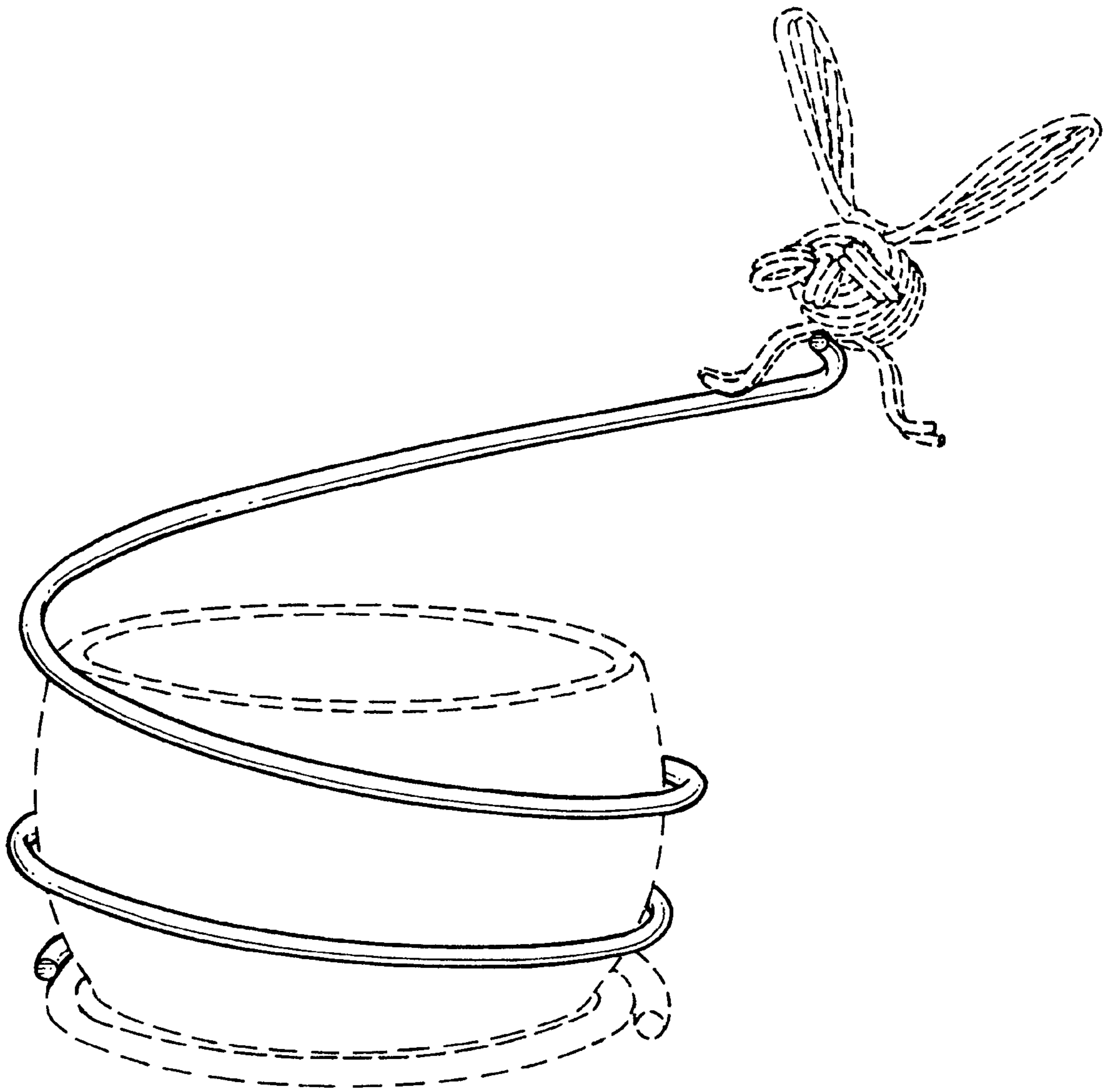


FIG.7