



US00D458797S

(12) **United States Design Patent**
Kellermann

(10) **Patent No.:** **US D458,797 S**

(45) **Date of Patent:** **** Jun. 18, 2002**

(54) **BREAKFAST GRIDDLE**

(75) **Inventor:** **Robert F. Kellermann**, South Pittsburg,
TN (US)

(73) **Assignee:** **Lodge Manufacturing Company**,
South Pittsburgh, TN (US)

(**) **Term:** **14 Years**

(21) **Appl. No.:** **29/136,960**

(22) **Filed:** **Feb. 9, 2001**

(51) **LOC (7) Cl.** **07-02**

(52) **U.S. Cl.** **D7/360**

(58) **Field of Search** D7/323, 354-361,
D7/363, 402; 99/425, 426, 446; 126/390.1;
220/573.1

(56) **References Cited**

U.S. PATENT DOCUMENTS

D27,936 S	*	12/1897	Schmidt	D7/359
936,343 A	*	10/1909	Musser	99/426
1,591,291 A	*	7/1926	Detwiler	99/446
D118,238 S	*	12/1939	Klusmeyer	D7/354
2,262,302 A	*	11/1941	Sinclair	99/425

D154,967 S	*	8/1949	Watkins	D7/359
D156,977 S	*	1/1950	Layne	D7/363
D251,176 S	*	2/1979	Lewis	D7/359
D297,604 S	*	9/1988	Hagberg et al.	D7/359
4,926,843 A	*	5/1990	Vocke et al.	126/390.1
D340,834 S	*	11/1993	Lin	D7/361
D392,152 S	*	3/1998	Rae	D7/402
D439,469 S	*	3/2001	Ferrer	D7/360

* cited by examiner

Primary Examiner—Caron D. Veynar

(74) *Attorney, Agent, or Firm*—Kilpatrick Stockton LLP

(57) **CLAIM**

The ornamental design for a breakfast griddle, as shown.

DESCRIPTION

FIG. 1 is a top plan elevation of a breakfast griddle showing my new design;

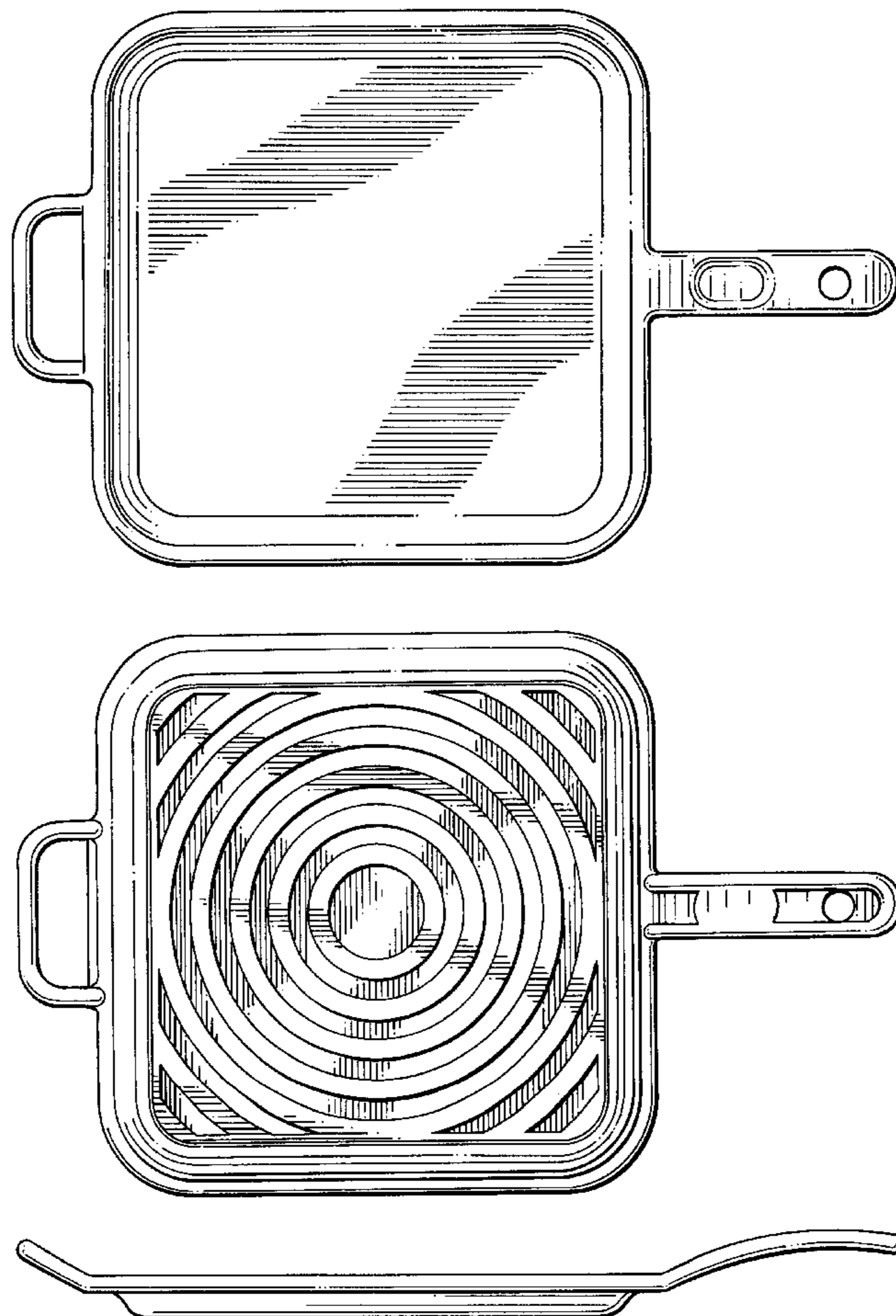
FIG. 2 is a bottom plan elevation view thereof;

FIG. 3 is a front view thereof, the rear elevation view is a mirror image thereof;

FIG. 4 is a right elevation view thereof; and,

FIG. 5 is a left elevation, thereof.

1 Claim, 2 Drawing Sheets



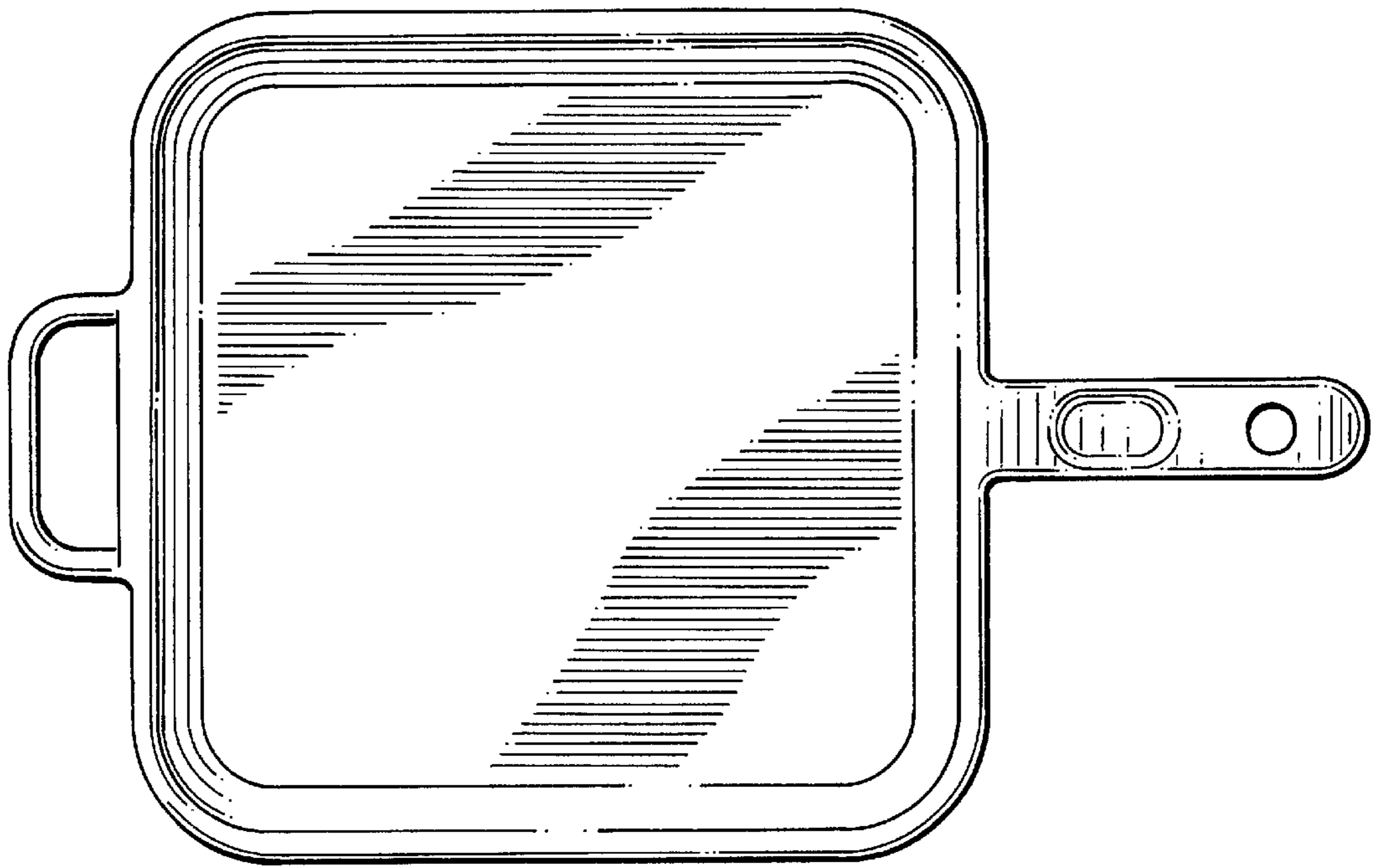


FIG. 1

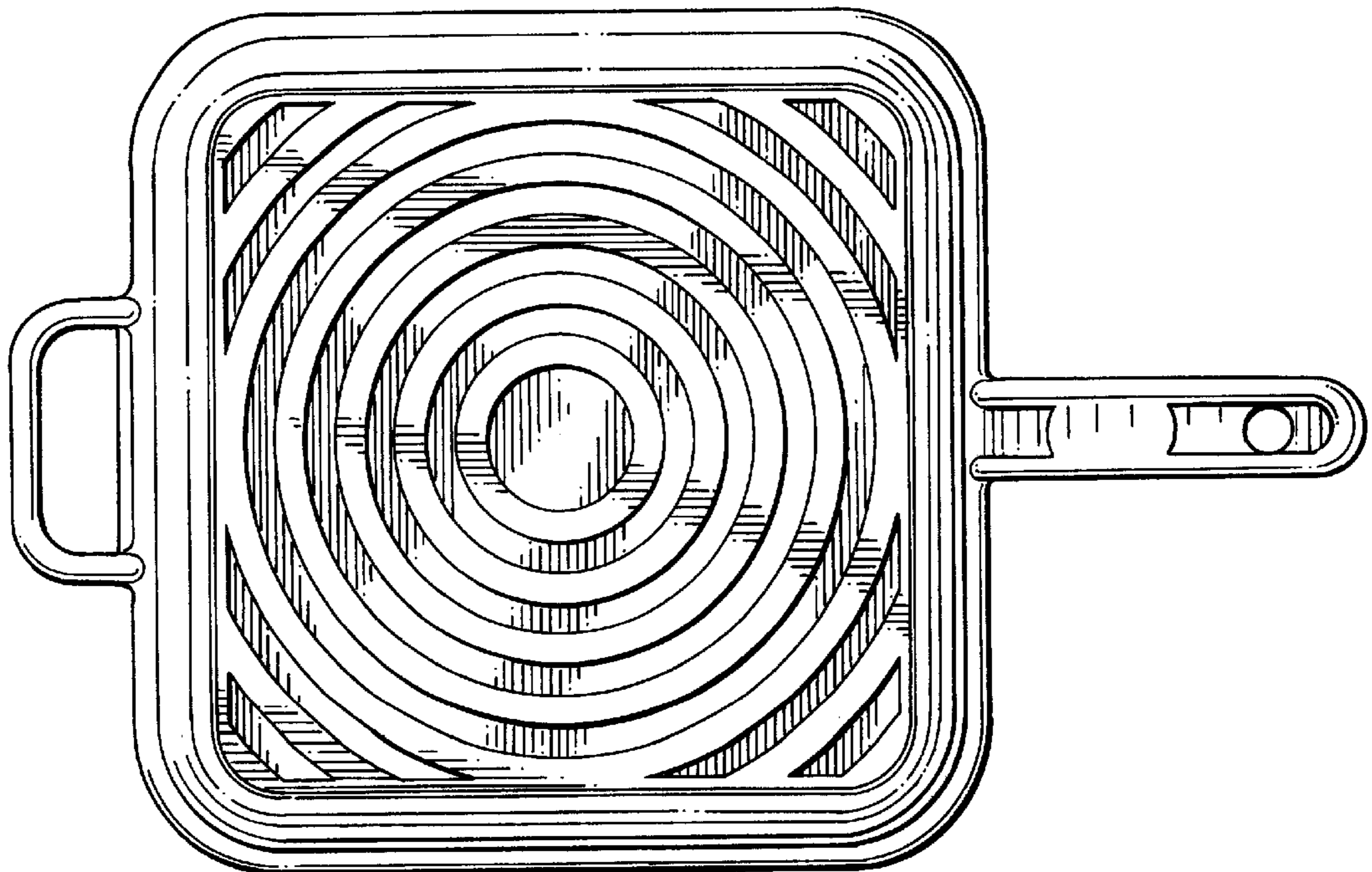


FIG. 2

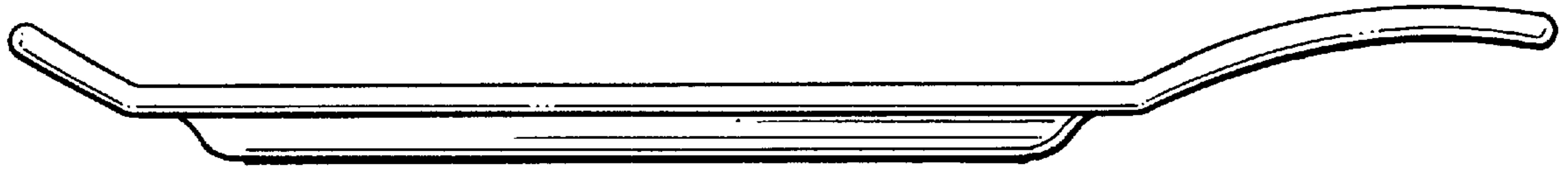


FIG. 3

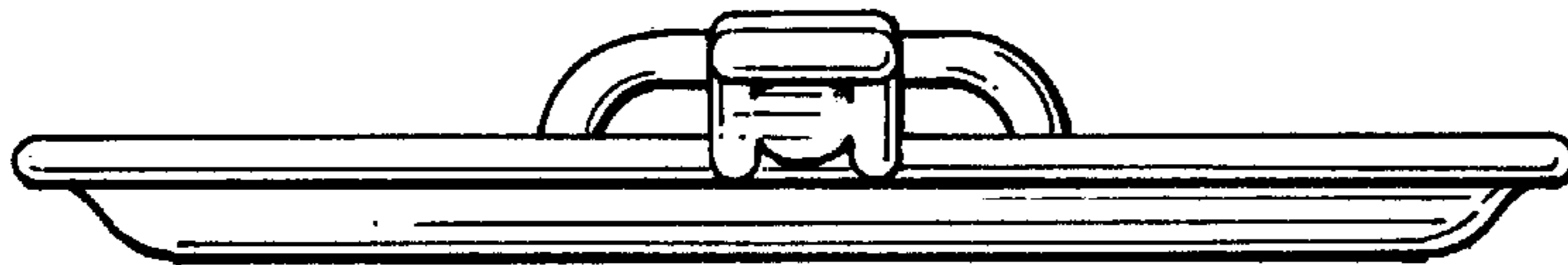


FIG. 4

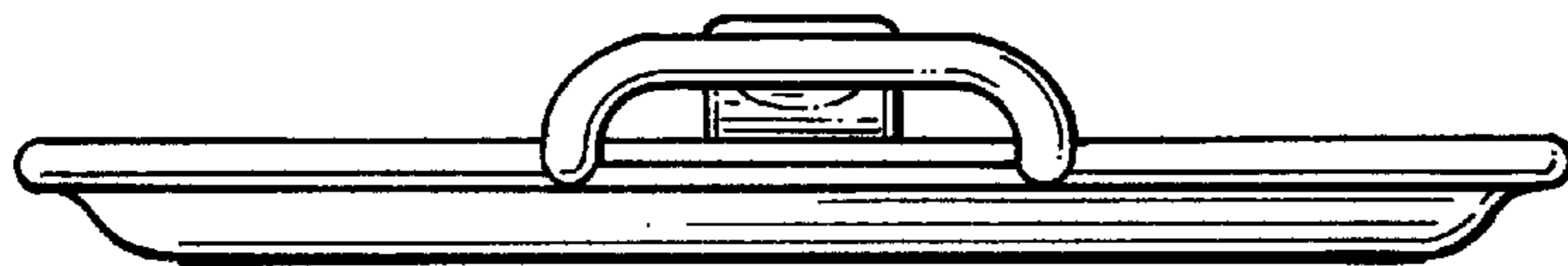


FIG. 5