



US00D458791S

(12) **United States Design Patent**
Harwanko

(10) **Patent No.:** **US D458,791 S**

(45) **Date of Patent:** **** Jun. 18, 2002**

(54) **WALL SHELVING**

(75) **Inventor:** **Jeffrey Brian Harwanko**, Wilmington, DE (US)

(73) **Assignee:** **Zenith Products Corp.**, New Castle, DE (US)

(**) **Term:** **14 Years**

(21) **Appl. No.:** **29/137,621**

(22) **Filed:** **Feb. 26, 2001**

(51) **LOC (7) Cl.** **06-04**

(52) **U.S. Cl.** **D6/570**

(58) **Field of Search** D6/566, 567, 569, D6/570, 574; 211/13.1, 30, 32, 34, 35, 86.01, 87.01, 88.01, 90.01, 126.1, 134

(56) **References Cited**

U.S. PATENT DOCUMENTS

D279,249 S * 6/1985 Fausel D6/570

D354,875 S * 1/1995 Scott, Sr. D6/569

D418,341 S * 1/2000 Carville et al. D6/574 X

D436,487 S * 1/2001 Walker D6/570

* cited by examiner

Primary Examiner—Brian N. Vinson

(74) *Attorney, Agent, or Firm*—Edgar A. Zarins; Lloyd D. Doigan

(57) **CLAIM**

The ornamental design for a wall shelving, as shown and described.

DESCRIPTION

FIG. 1 is a perspective view of a wall shelving showing my new design;

FIG. 2 is a top plan view thereof;

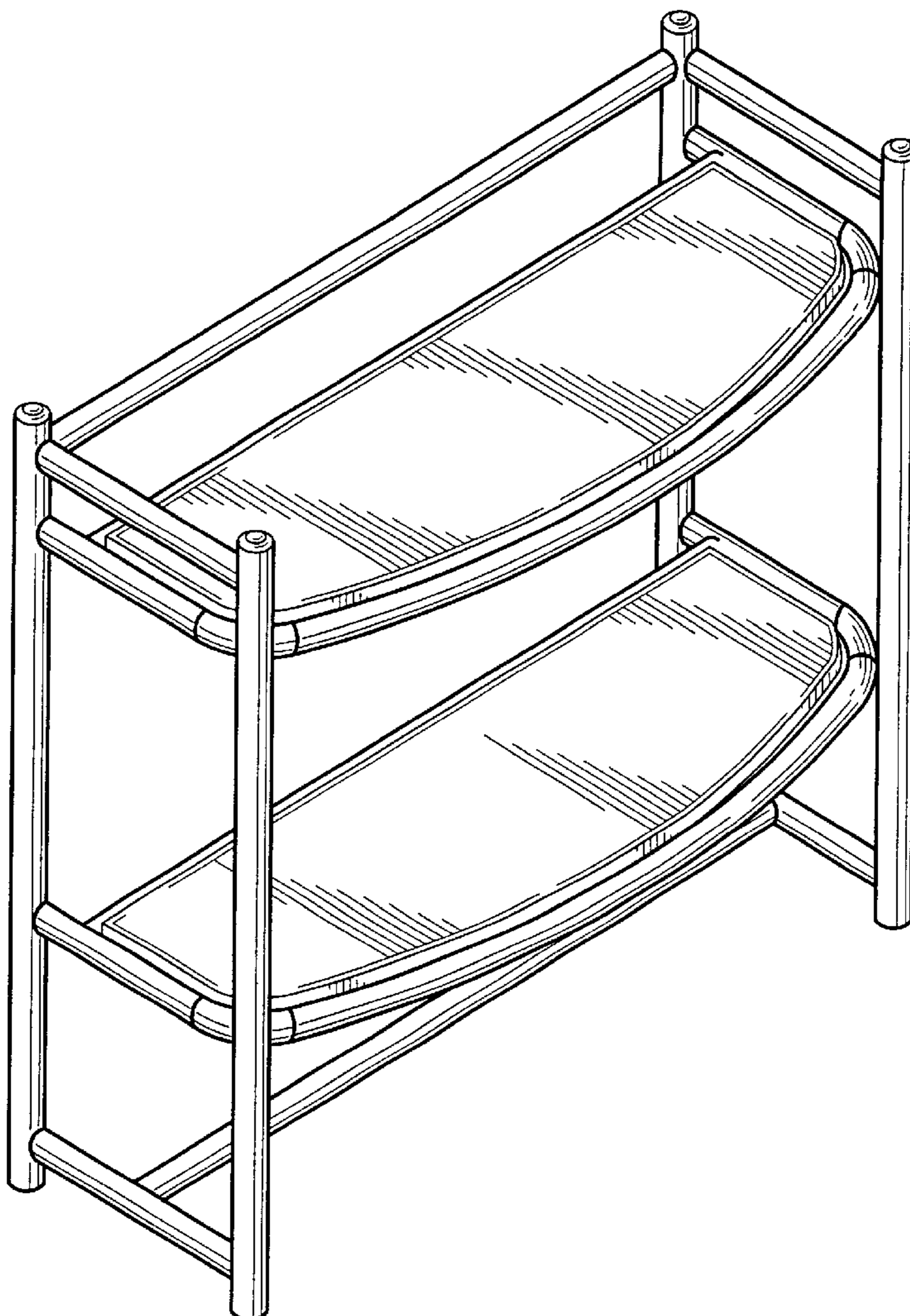
FIG. 3 is a front elevational view thereof;

FIG. 4 is a left side view thereof;

FIG. 5 is a right side view thereof; and,

FIG. 6 is a rear elevational view thereof.

1 Claim, 3 Drawing Sheets



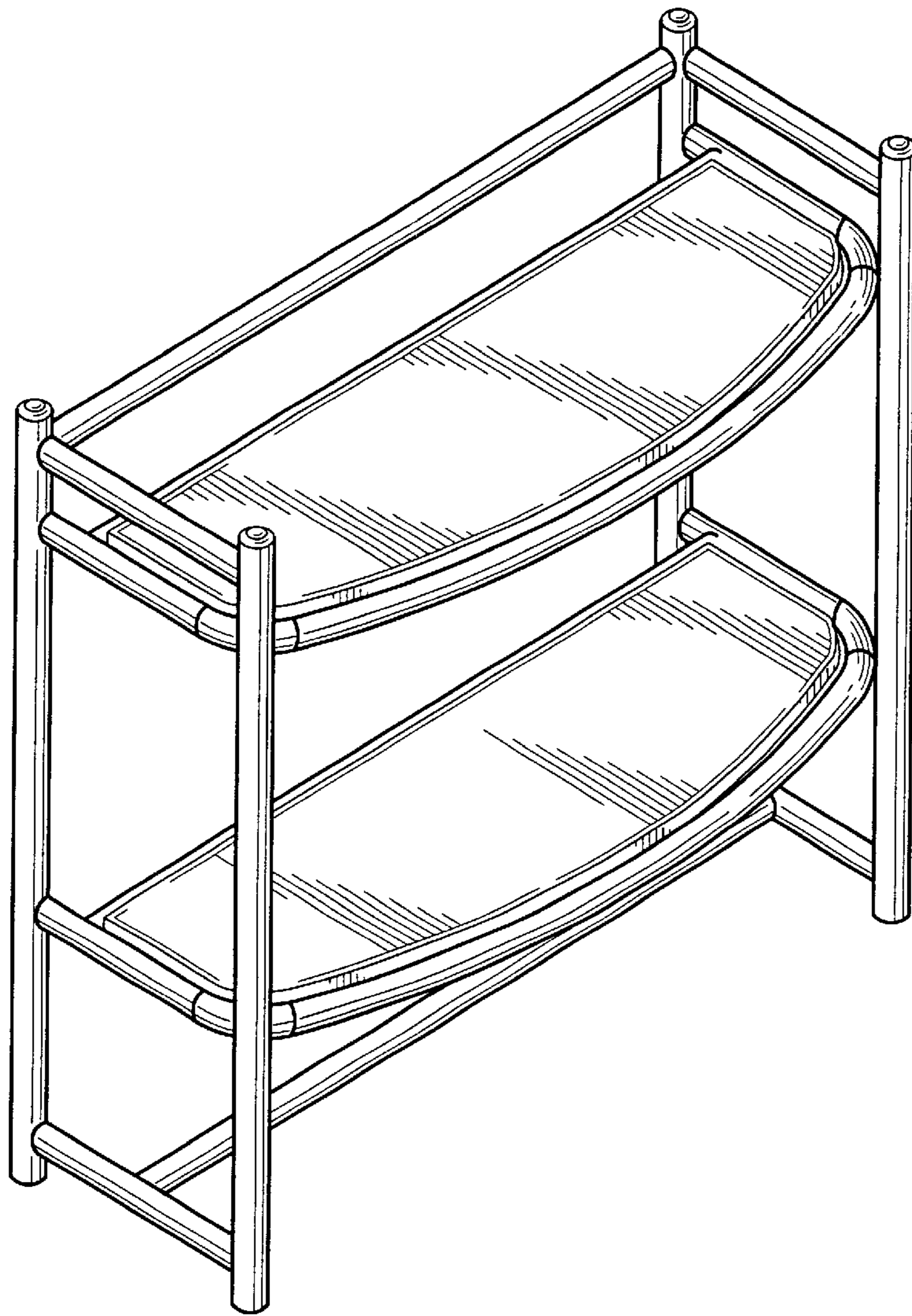
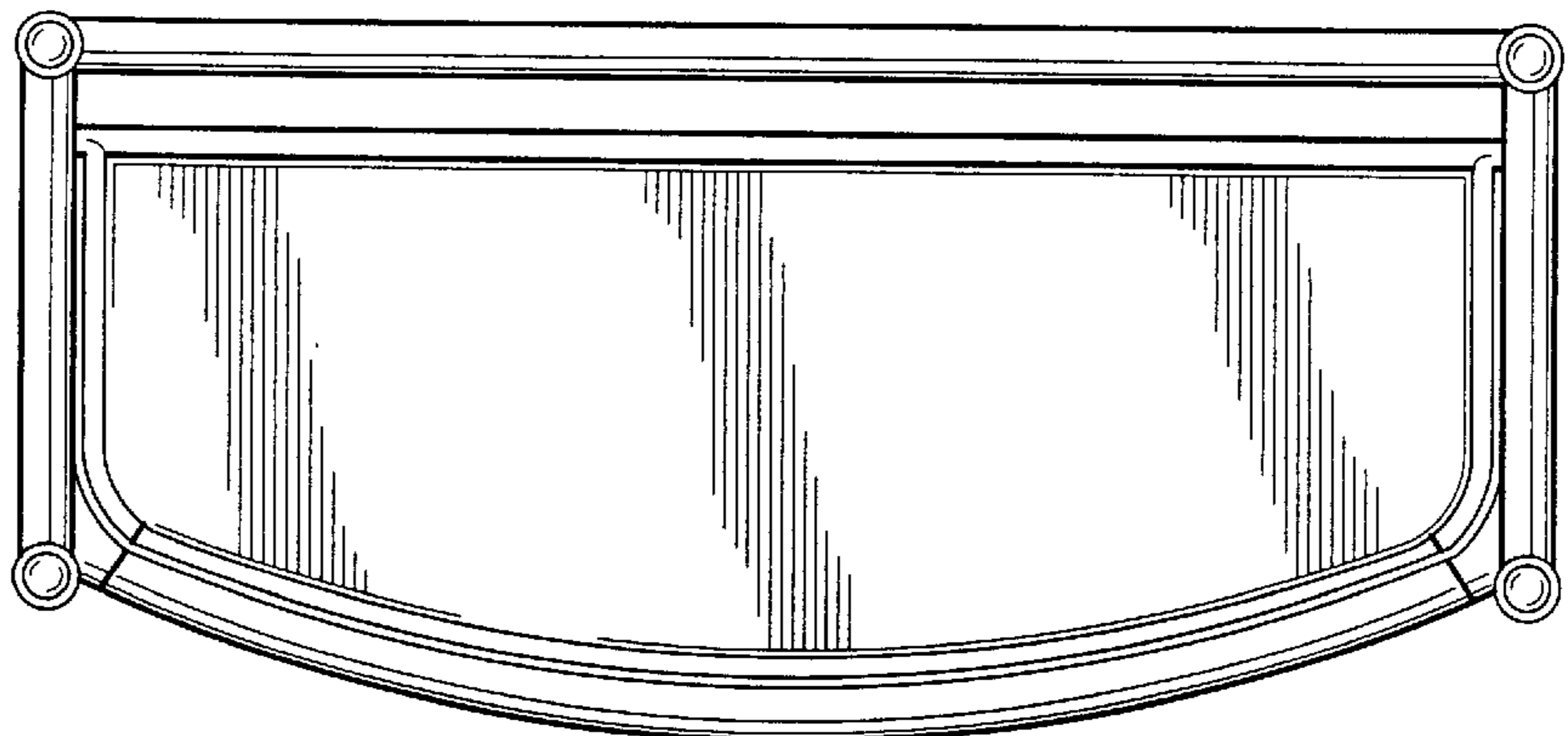


Figure - 1

Figure - 2



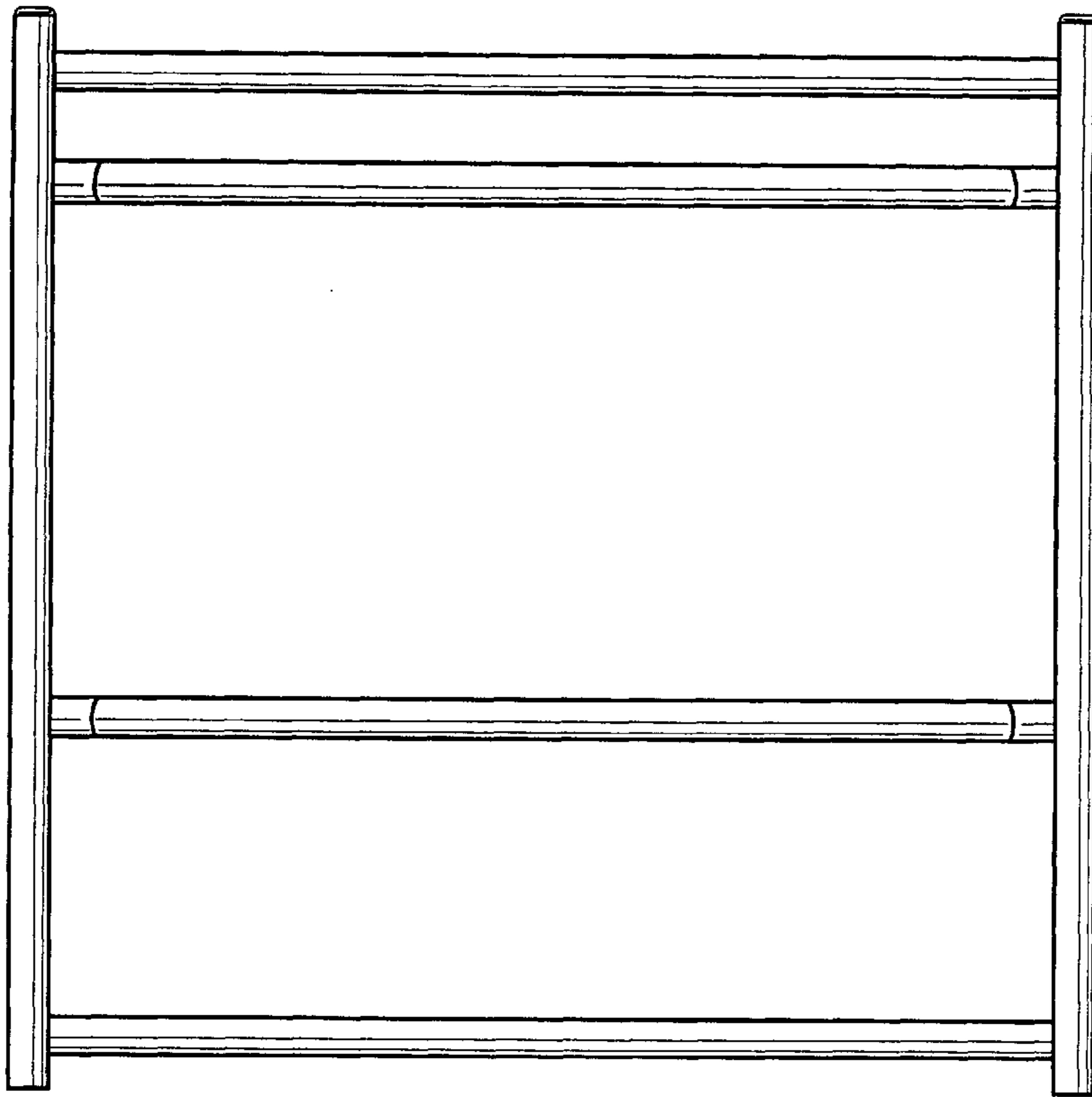


Figure - 3

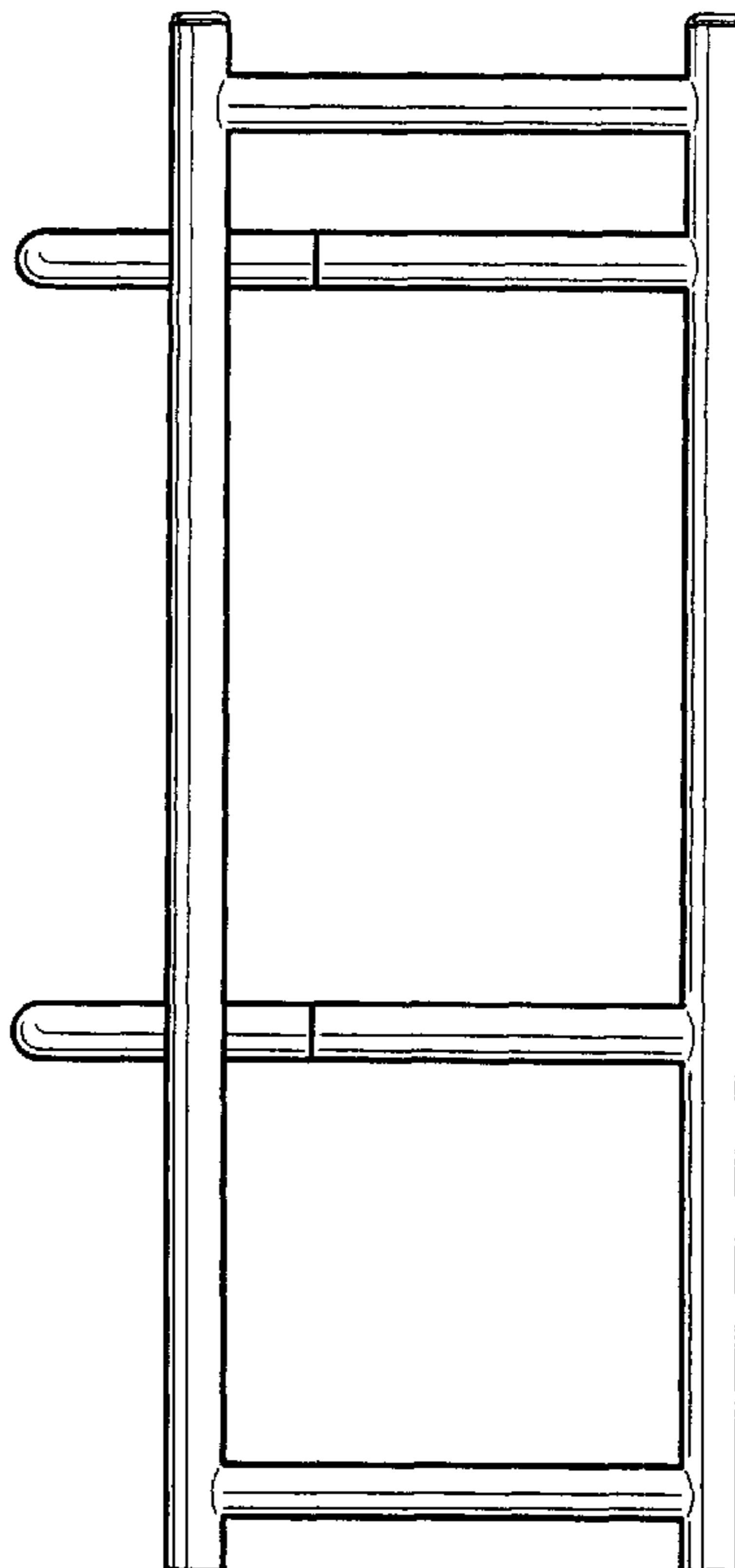


Figure - 4

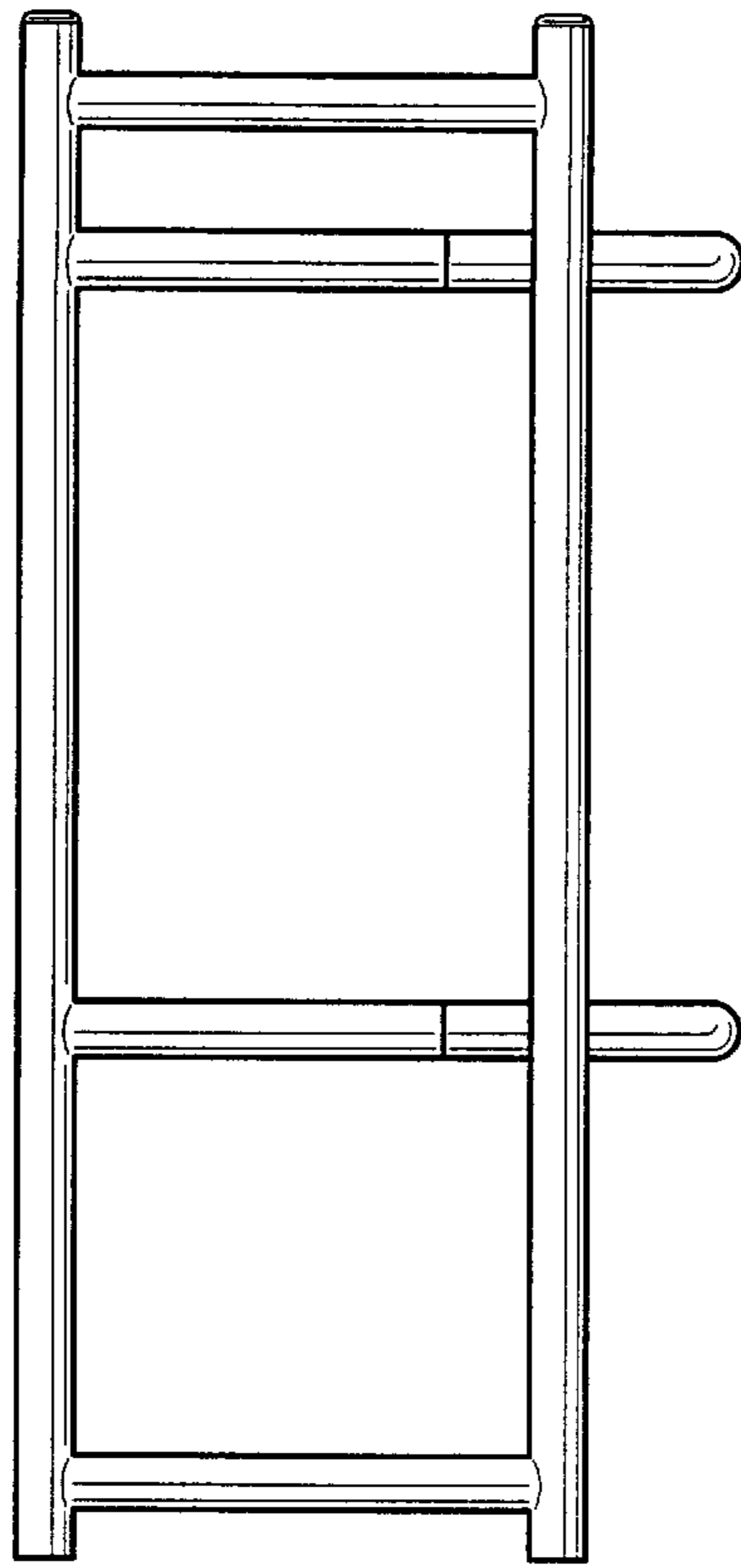


Figure - 5

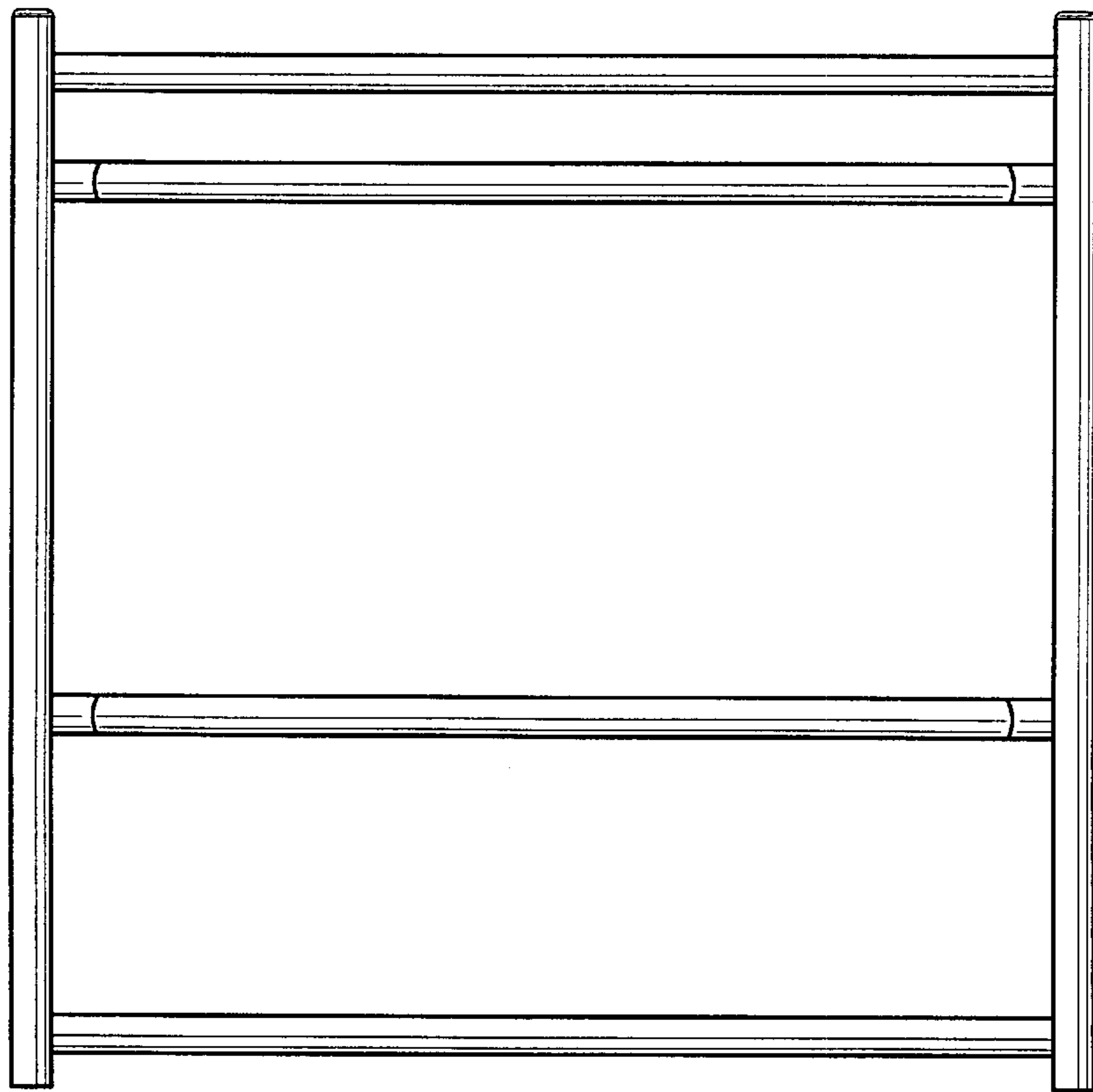


Figure - 6