



US00D458790S

(12) **United States Design Patent**
Harwanko

(10) **Patent No.:** **US D458,790 S**

(45) **Date of Patent:** **** Jun. 18, 2002**

(54) **WALL SHELF**

D366,973 S * 2/1996 Miller et al. D6/560 X
D443,164 S * 6/2001 Harwanko D6/560 X

(75) Inventor: **Jeffrey Brian Harwanko**, Wilmington,
DE (US)

* cited by examiner

(73) Assignee: **Zenith Products Corp.**, New Castle,
DE (US)

Primary Examiner—Brian N. Vinson

(74) *Attorney, Agent, or Firm*—Edgar A. Zarins; Lloyd D.
Doigan

(**) Term: **14 Years**

(57) **CLAIM**

(21) Appl. No.: **29/137,650**

The ornamental design for a wall shelf, as shown and
described.

(22) Filed: **Feb. 26, 2001**

DESCRIPTION

(51) **LOC (7) Cl.** **06-04**

(52) **U.S. Cl.** **D6/560**

(58) **Field of Search** D6/553, 567, 559,
D6/574, 560, 445, 446; 312/242, 245

FIG. 1 is a perspective view of a wall shelf showing my new
design;

FIG. 2 is a front elevational view thereof;

FIG. 3 is a right side view thereof, the opposite side being
a mirror image of the side shown;

FIG. 4 is a top plan view thereof; and,

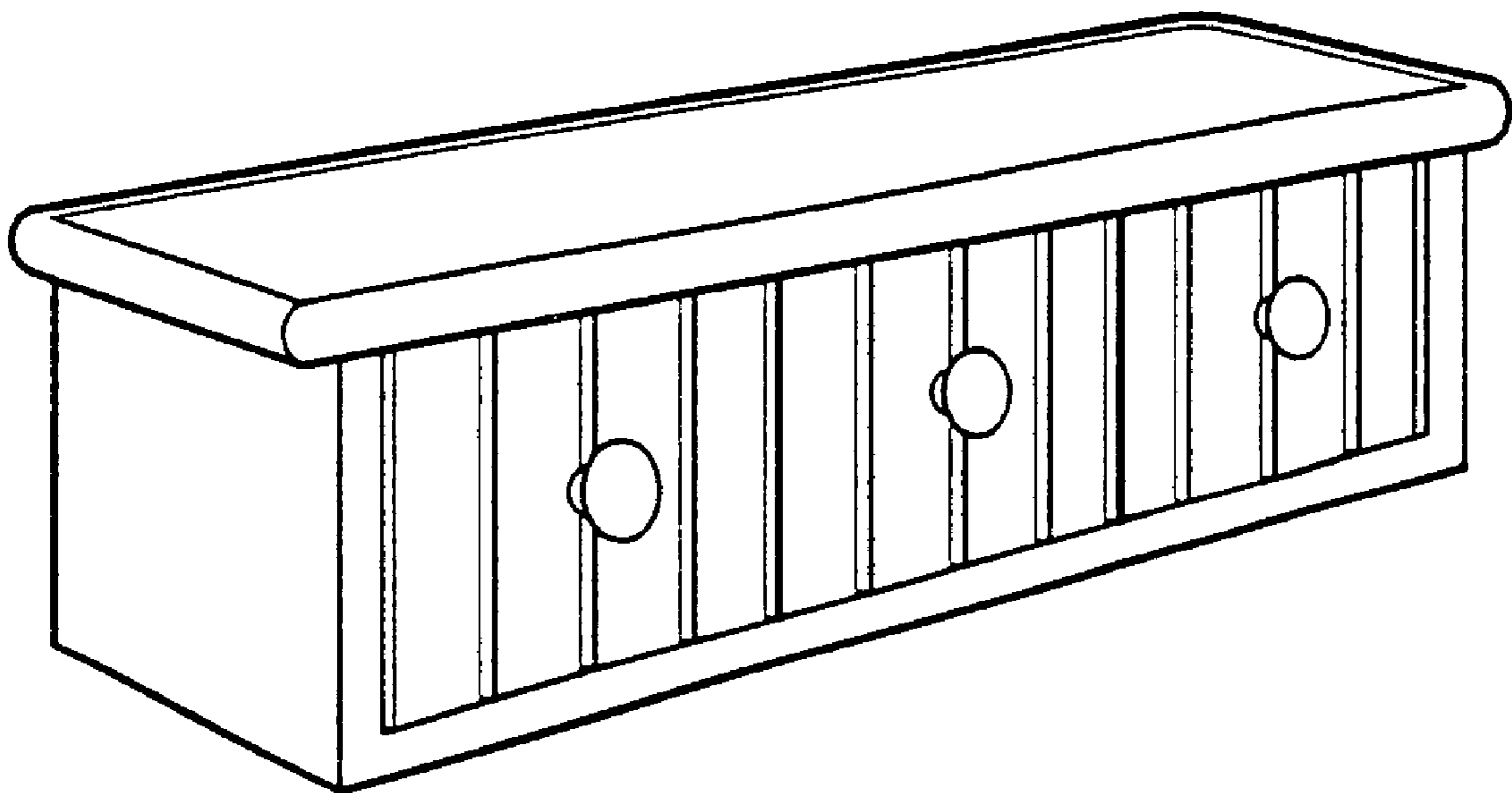
FIG. 5 is a bottom plan view thereof.

(56) **References Cited**

U.S. PATENT DOCUMENTS

D288,877 S * 3/1987 Koopman D6/560 X

1 Claim, 1 Drawing Sheet



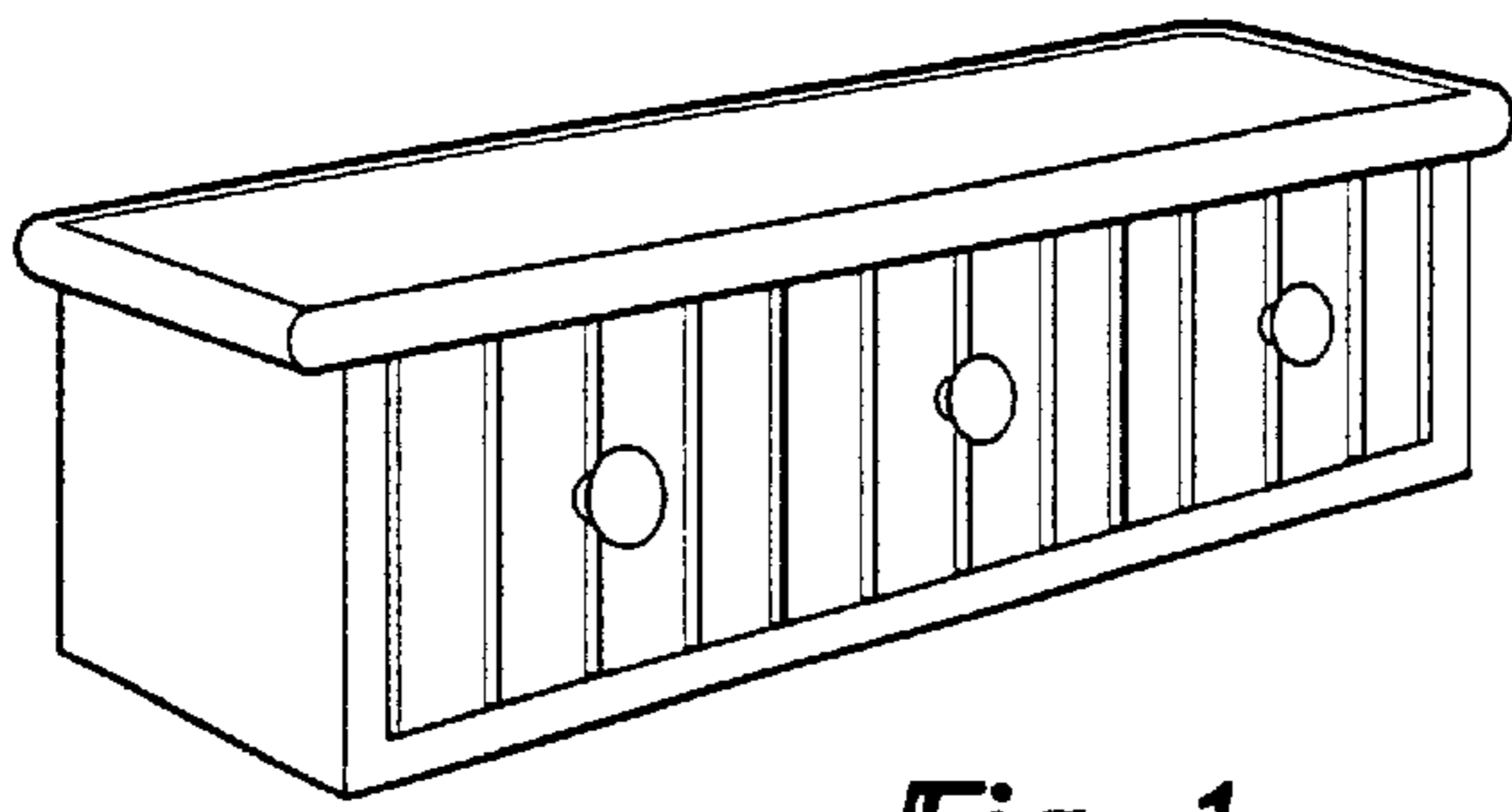


Fig-1

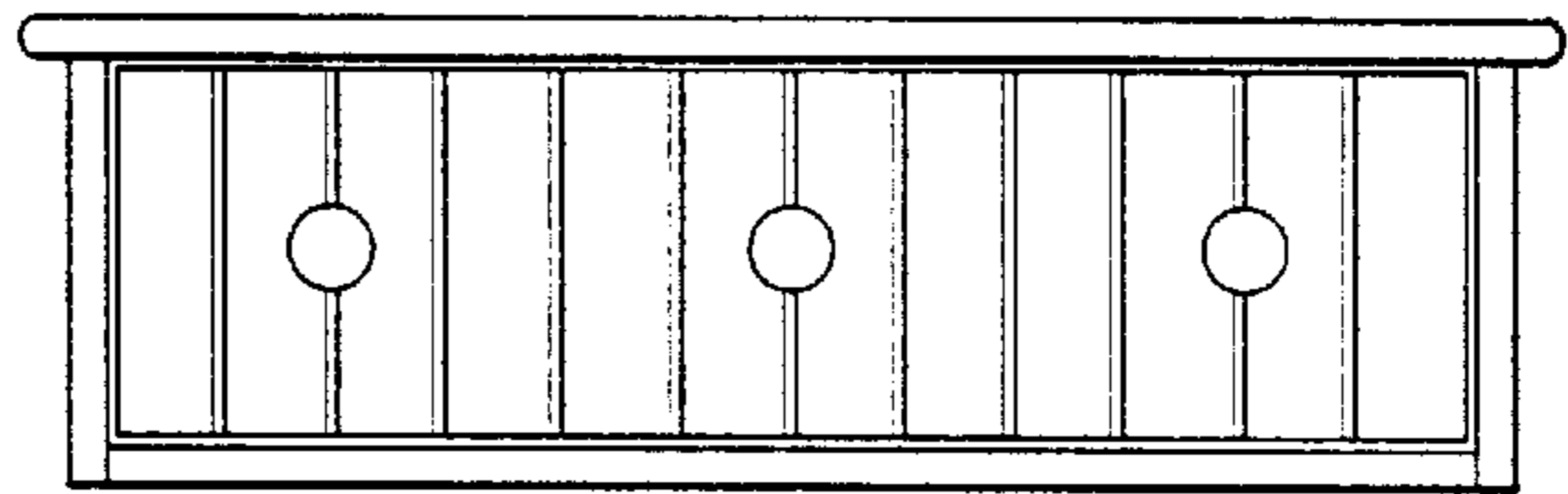


Fig-2

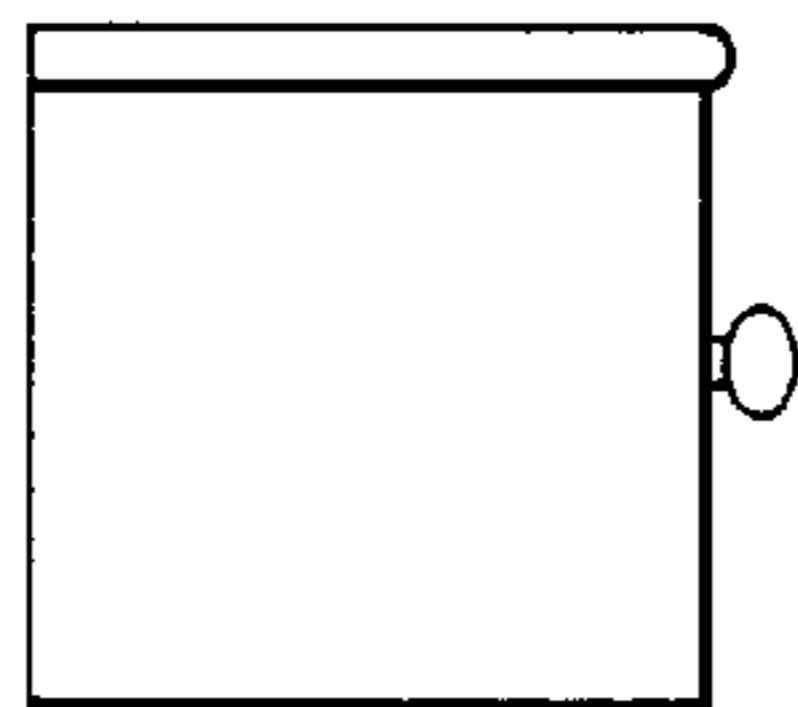


Fig-3

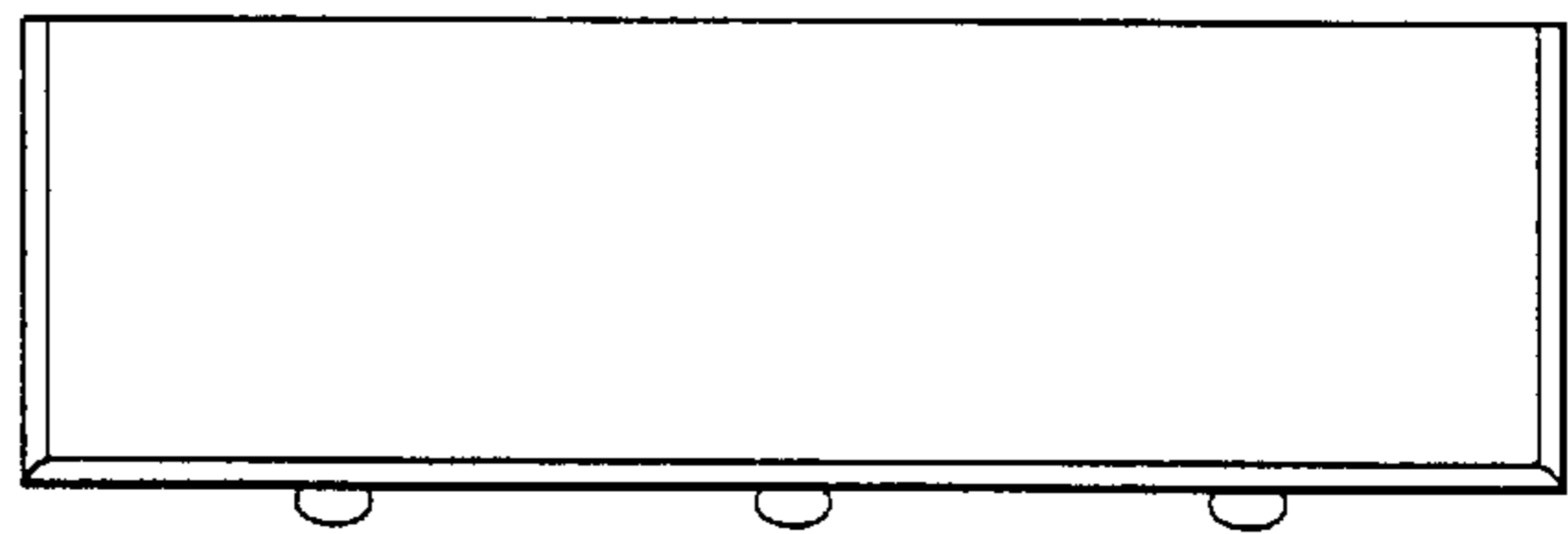


Fig-4

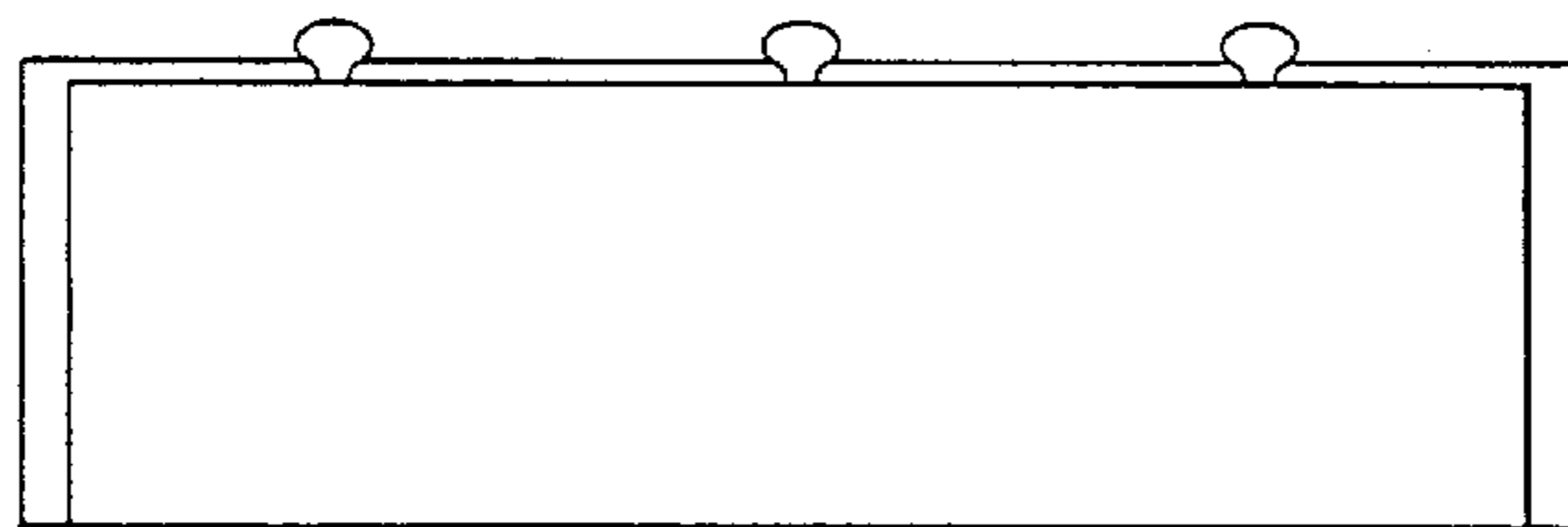


Fig-5