



US00D458789S

(12) **United States Design Patent**  
**Loika**

(10) **Patent No.:** **US D458,789 S**  
(45) **Date of Patent:** **\*\* Jun. 18, 2002**

(54) **HOCKEY STICK DISPLAY ASSEMBLY**

(76) Inventor: **Steve Loika**, 1240 Highway, F,  
Defiance, MO (US) 63341

(\*\*) Term: **14 Years**

(21) Appl. No.: **29/129,636**

(22) Filed: **Sep. 20, 2000**

(51) **LOC (7) Cl.** ..... **08-08**

(52) **U.S. Cl.** ..... **D6/552**

(58) **Field of Search** ..... D6/552, 553, 567,  
D6/569, 572; 206/579, 315.1, 315.2, 349;  
211/13.1, 85.7, 86.01, 87.01; 248/201, 309.1

(56) **References Cited**

**U.S. PATENT DOCUMENTS**

D183,420 S	*	8/1958	Ferguson	.....	D6/552
D302,503 S	*	8/1989	Gerry et al.	.....	D6/553 X
D313,886 S	*	1/1991	Southard	.....	D6/552
D354,872 S	*	1/1995	Dix	.....	D6/552
D390,013 S	*	2/1998	Ho	.....	D6/569 X

\* cited by examiner

*Primary Examiner*—Brian N. Vinson

(74) *Attorney, Agent, or Firm*—Henry W. Cummings

(57) **CLAIM**

The ornamental design for a hockey stick display assembly,  
as shown and described.

**DESCRIPTION**

FIG. 1 is a top, front, and right side perspective view of a

first embodiment of a hockey stick mounting assembly  
showing my new design;

FIG. 2 is a top, front, and right side perspective view of a  
second embodiment thereof;

FIG. 3 is a front elevational view of the second embodiment  
thereof;

FIG. 4 is a top plan view of the second embodiment thereof;

FIG. 5 is a rear elevational view of the second embodiment  
thereof;

FIG. 6 is a right side elevational view of the second  
embodiment thereof;

FIG. 7 is a front elevational view of the first embodiment  
thereof;

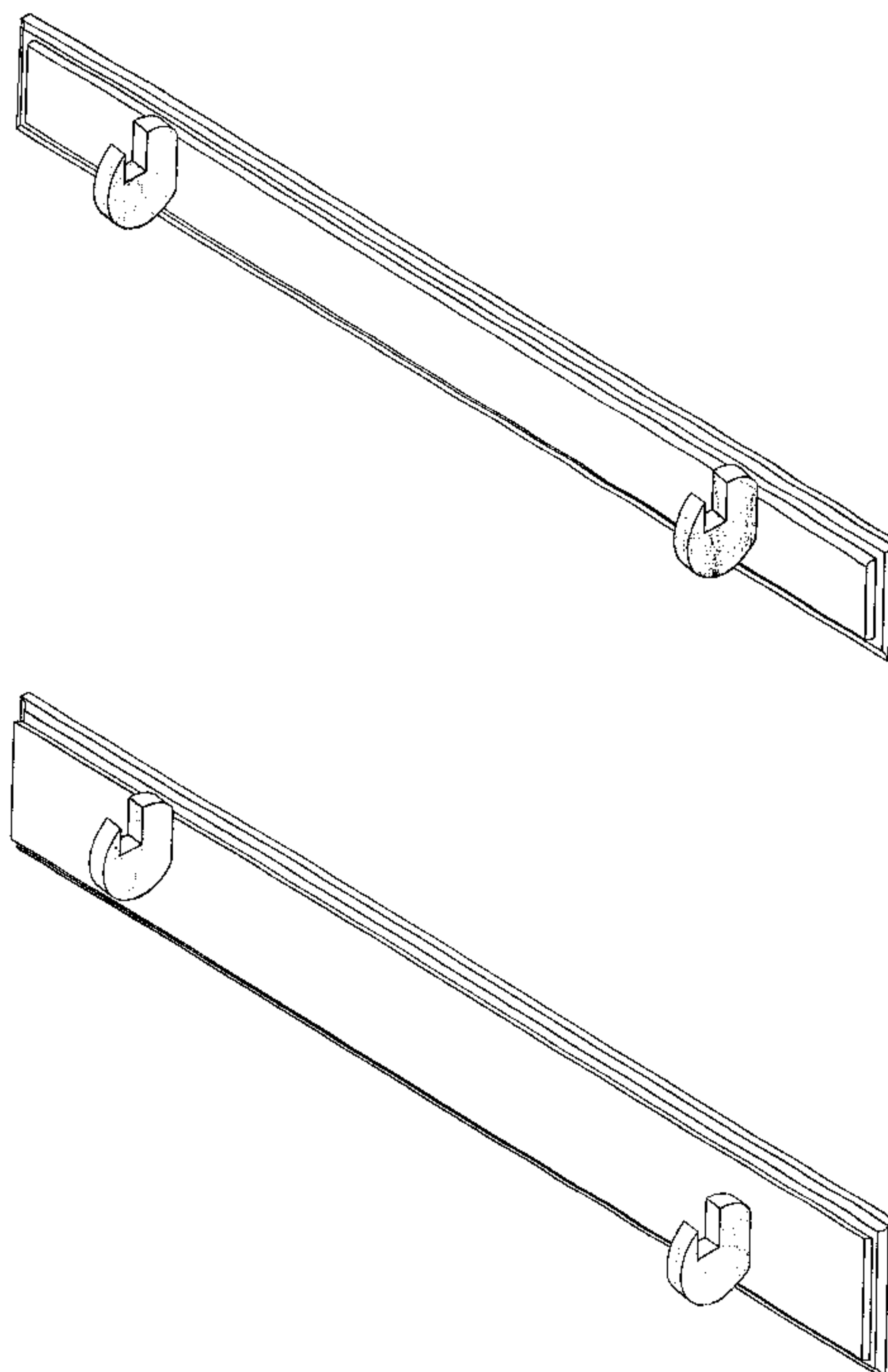
FIG. 8 is a right side elevational view of the first embodi-  
ment thereof;

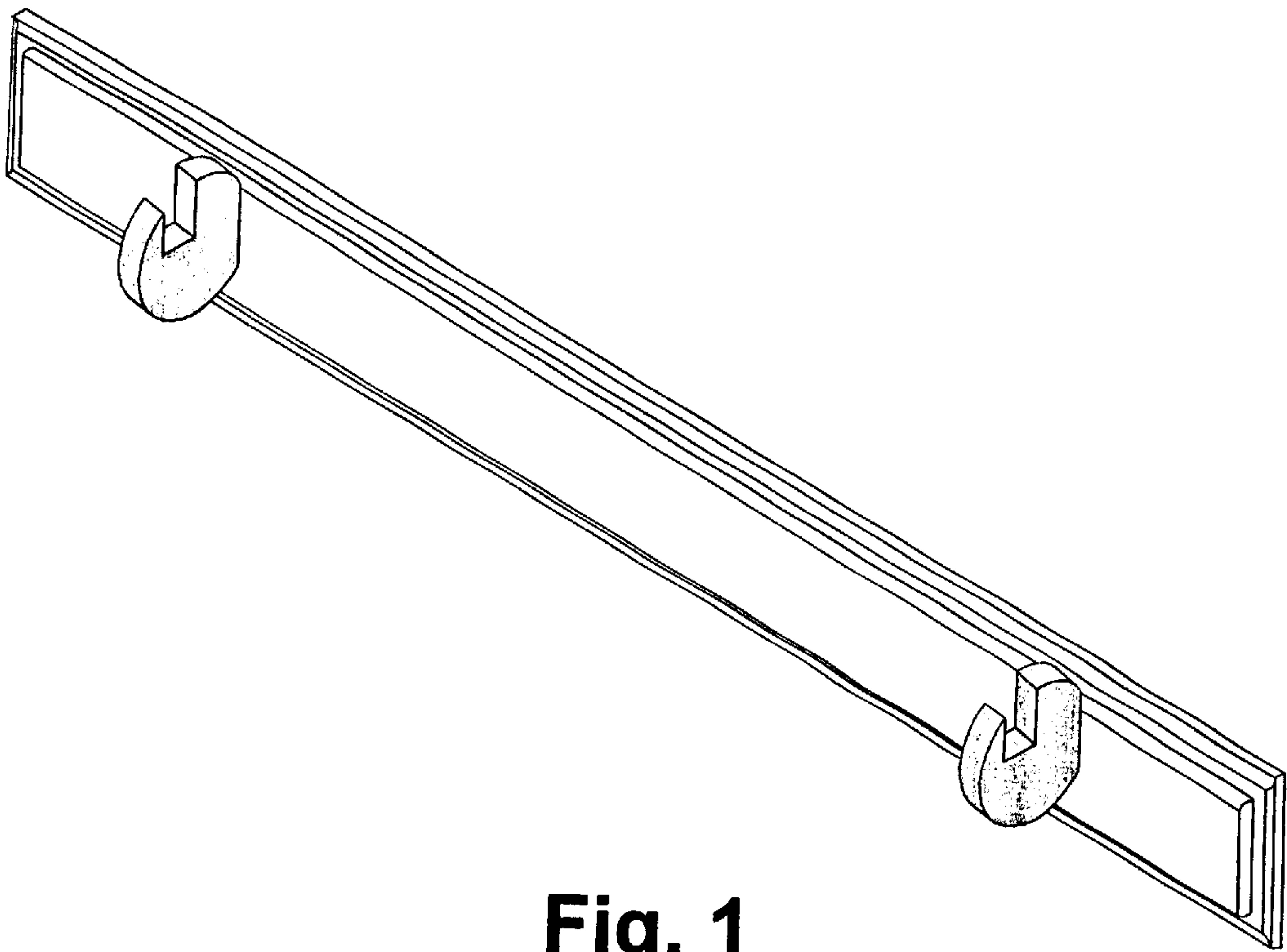
FIG. 9 is an enlarged vertical cross-sectional view taken  
through the center of the bracket portion of the first embodi-  
ment thereof; and,

FIG. 10 is an enlarged vertical cross-sectional view taken  
through the center of the bracket portion of the first embodi-  
ment thereof.

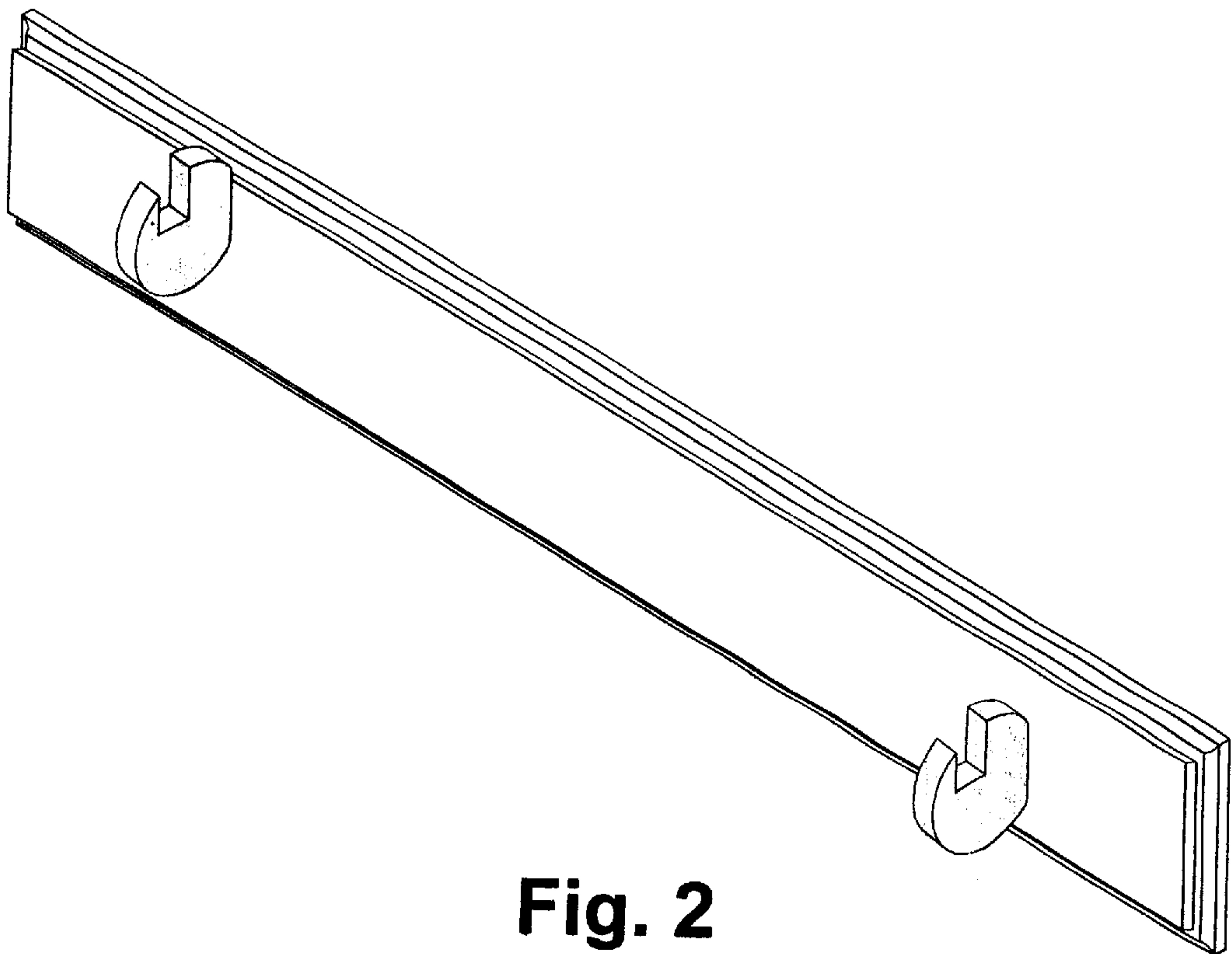
The broken-line disclosure of hockey sticks in the views are  
for illustrative purposes only and form no part of the claimed  
design.

**1 Claim, 3 Drawing Sheets**





**Fig. 1**



**Fig. 2**

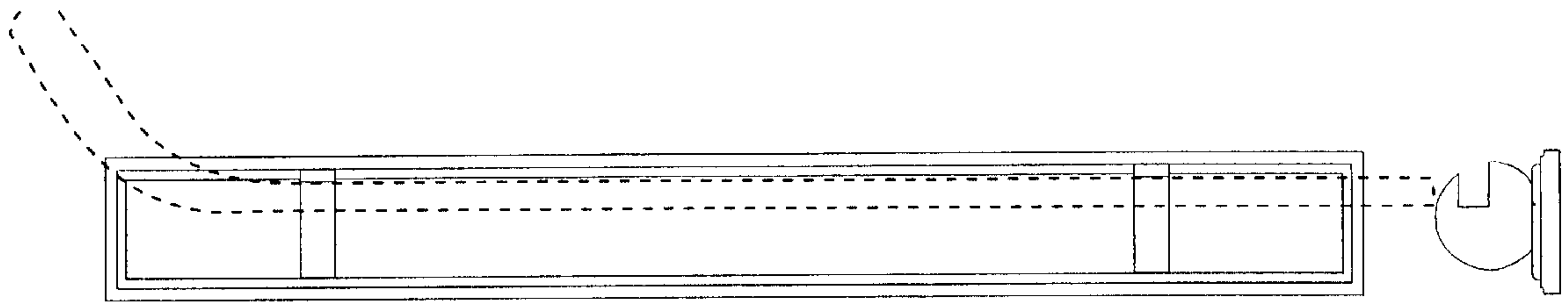


Fig. 3

Fig. 6

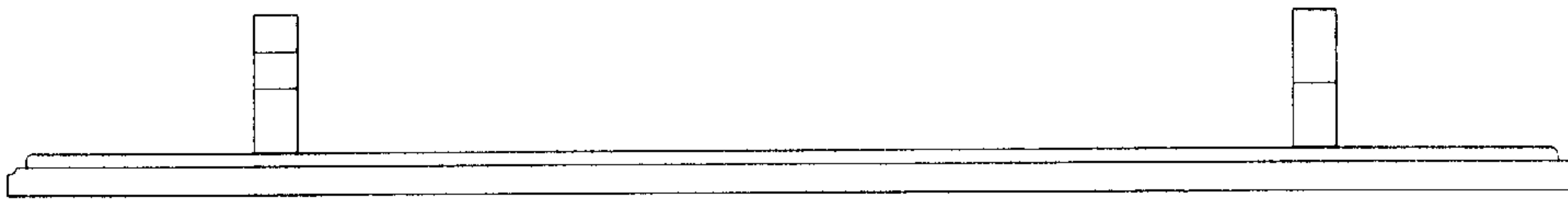


Fig. 4

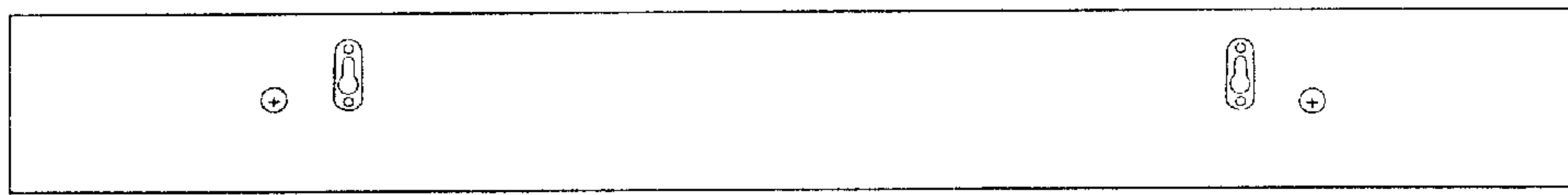


Fig. 5

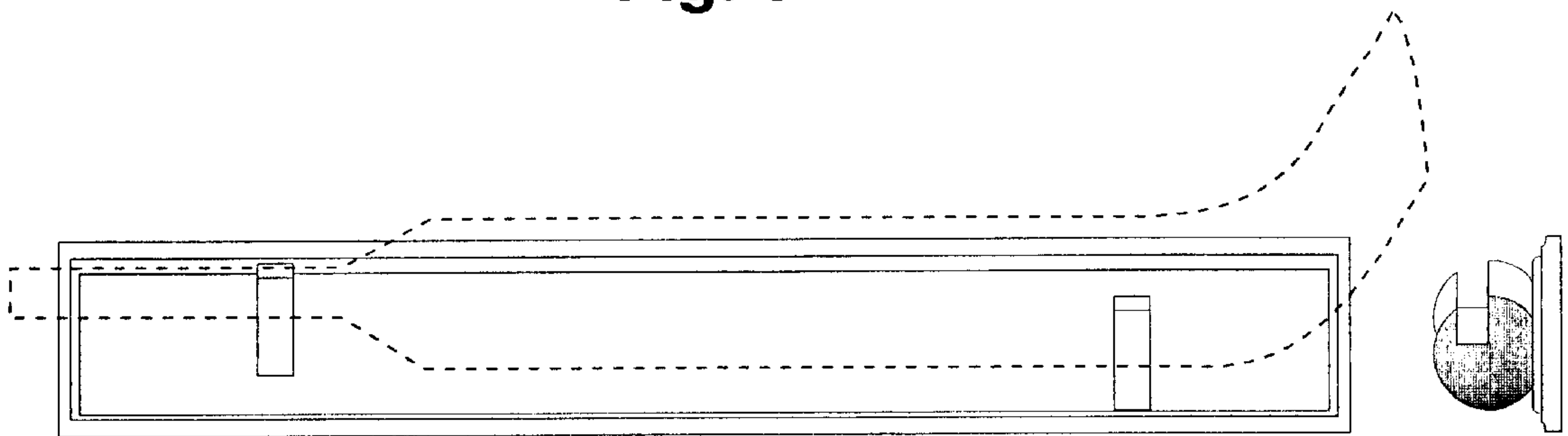
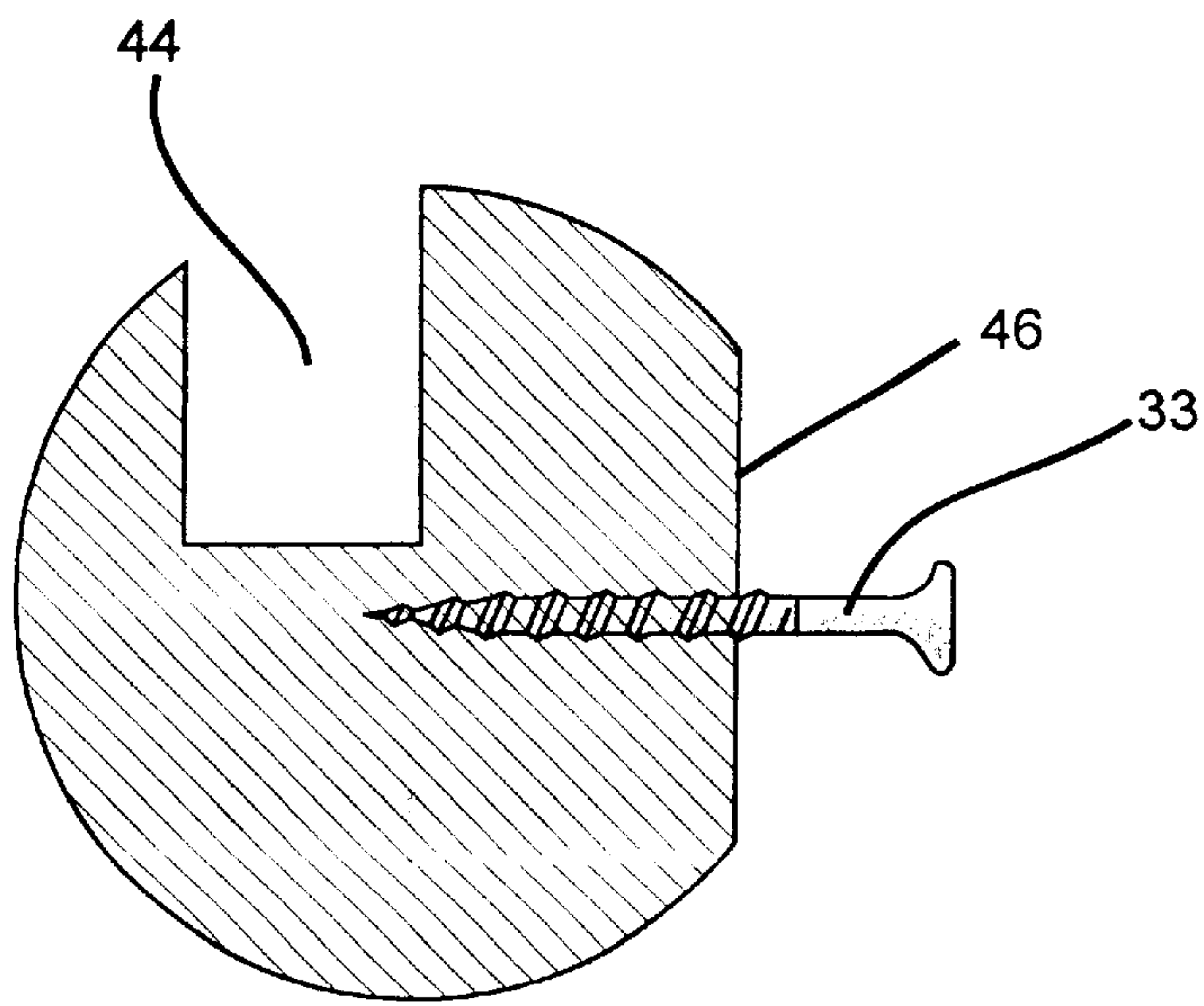
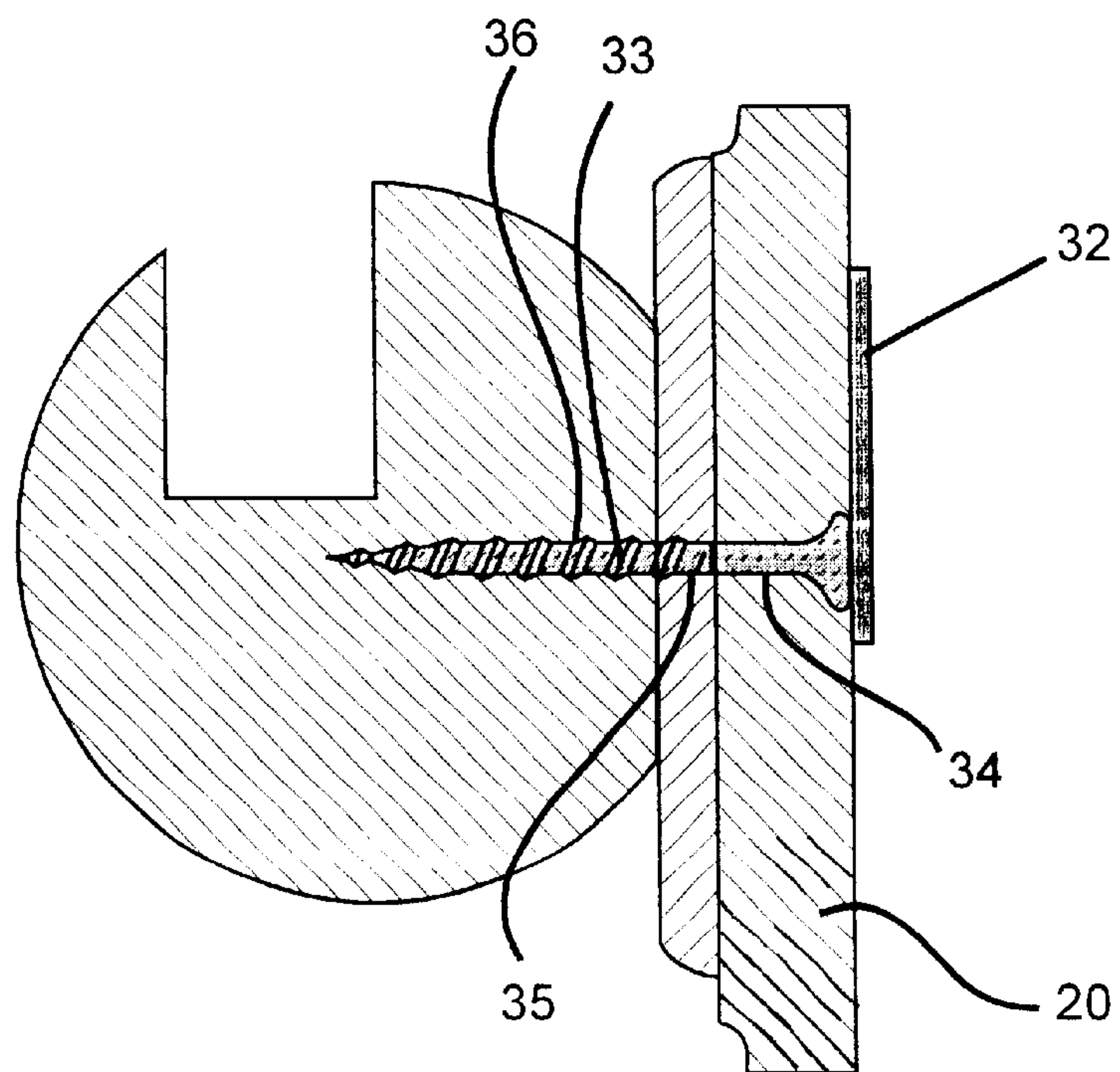


Fig. 7

Fig. 8



**Fig. 9**



**Fig. 10**