



US00D458782S

(12) **United States Design Patent**
Shea

(10) **Patent No.:** **US D458,782 S**

(45) **Date of Patent:** **** Jun. 18, 2002**

(54) **GRAVITY FEED DISPENSER**

(76) Inventor: **Thomas M. Shea**, 1435 Rivona,
Waterford, MI (US) 48328

(**) Term: **14 Years**

(21) Appl. No.: **29/130,127**

(22) Filed: **Sep. 27, 2000**

(51) **LOC (7) Cl.** **06-06**

(52) **U.S. Cl.** **D6/513; D6/567**

(58) **Field of Search** D6/512-514, 515,
D6/517; 211/13.1, 10, 113; 221/33, 45,
282, 283; 222/129, 173

(56) **References Cited**

U.S. PATENT DOCUMENTS

D258,777 S	*	4/1981	Kailey	D6/515 X
4,562,941 A		1/1986	Sanfilippo		
4,732,282 A		3/1988	Lockwood		
4,794,764 A		1/1989	Dyment et al.		
4,846,775 A		7/1989	Herrin		
4,858,756 A		8/1989	Herrin et al.		
5,037,005 A		8/1991	Appleby et al.		
5,069,334 A		12/1991	Herrin et al.		
D322,905 S	*	1/1992	Decker	D6/515
5,117,972 A		6/1992	Herrin et al.		
5,139,173 A		8/1992	Evinger		
5,191,997 A		3/1993	Squitieri		
5,385,272 A		1/1995	Aoun		
5,458,233 A		10/1995	Herrin		
5,458,260 A		10/1995	Sainato et al.		
D363,830 S	*	11/1995	Forrest	D6/515 X
D366,583 S	*	1/1996	Scaife	D6/515
5,499,484 A		3/1996	Herrin		
5,553,723 A		9/1996	Stein		
5,599,267 A		2/1997	Dupuy		

5,673,823 A		10/1997	Hanks et al.		
5,678,492 A		10/1997	Pinkstone et al.		
5,746,328 A		5/1998	Beeler et al.		
5,806,689 A		9/1998	Mays et al.		
D400,761 S		11/1998	Rushing		
D401,476 S		11/1998	Henry et al.		
D402,160 S		12/1998	Rushing		
D402,838 S	*	12/1998	Sherbet	D6/515
D404,600 S		1/1999	Henry et al.		
6,004,251 A		12/1999	Herrin		
D418,331 S		1/2000	Christescu		
D421,550 S		3/2000	Henry et al.		
D422,169 S	*	4/2000	Stephan	D6/515

* cited by examiner

Primary Examiner—Brian N. Vinson
(74) *Attorney, Agent, or Firm*—Gifford, Krass, Groh,
Sprinkle, Anderson & Citkowski, P.C.

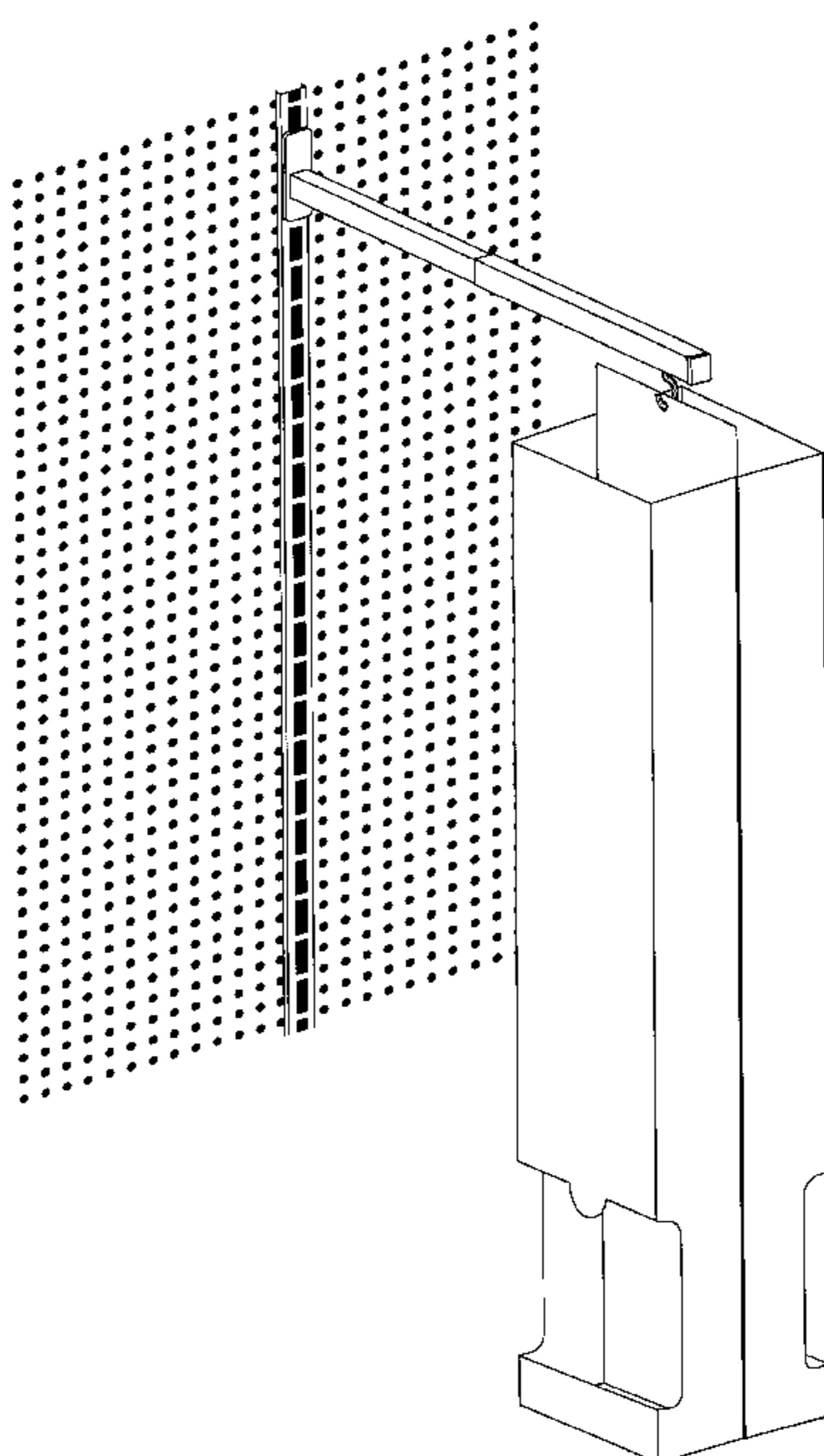
(57) **CLAIM**

I claim the ornamental design for a gravity feed dispenser,
as shown and described.

DESCRIPTION

FIG. 1 is a perspective view of a pair of a gravity feed
dispensers showing the first embodiment of my new design,
the broken-line disclosure of an arm and pegboard being for
illustrative purposes only and forming no part of the claimed
design;
FIG. 2 is a left side elevational view of a single gravity feed
dispenser showing a second embodiment of my new design;
FIG. 3 is a rear elevational view thereof;
FIG. 4 is a bottom plan view thereof;
FIG. 5 is a top plan view thereof;
FIG. 6 is a front elevational view thereof; and,
FIG. 7 is a right side elevational view thereof.

1 Claim, 3 Drawing Sheets



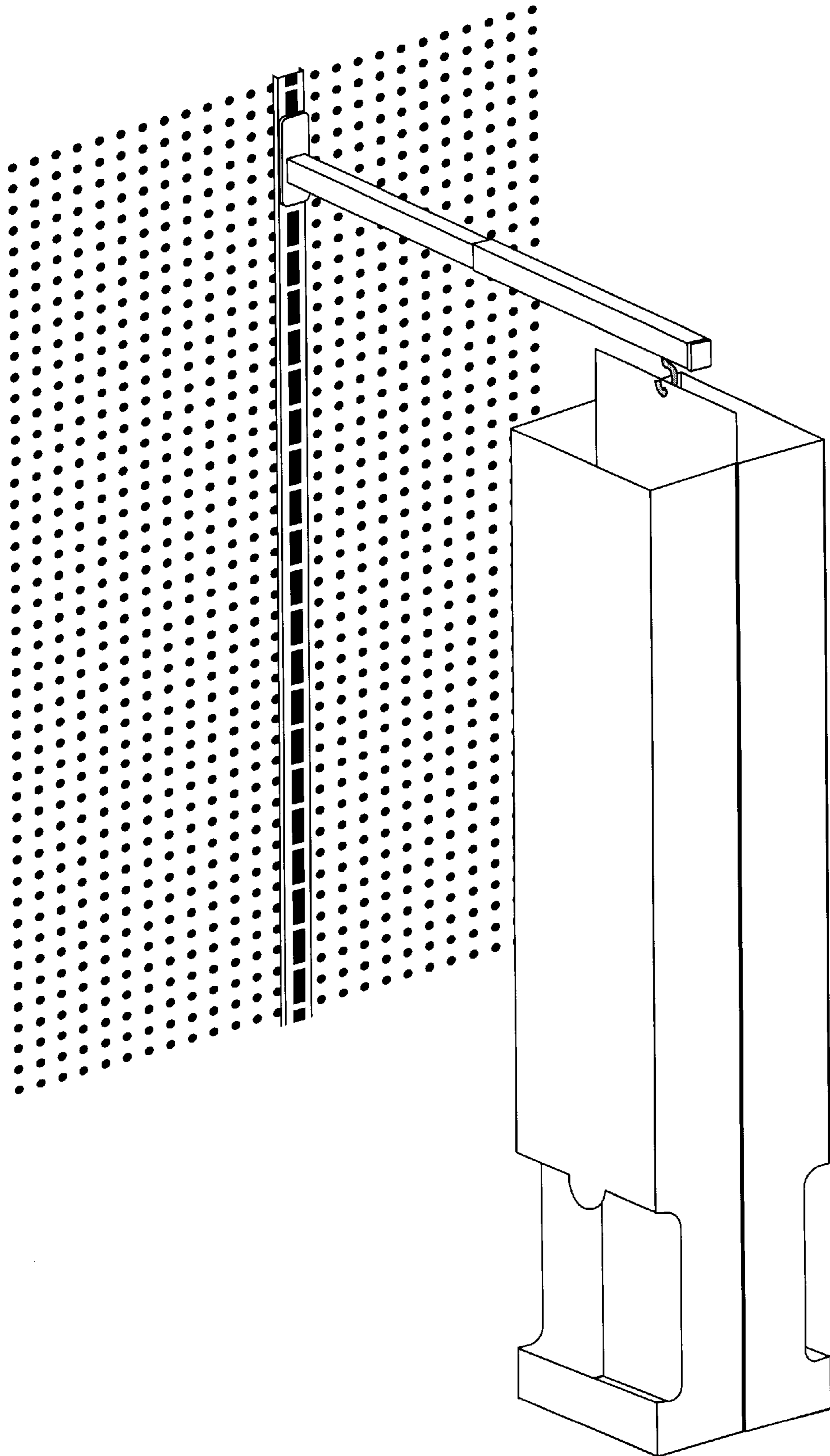


Fig-1

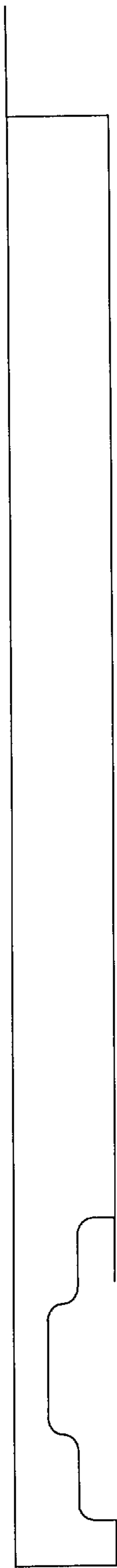


Fig-2

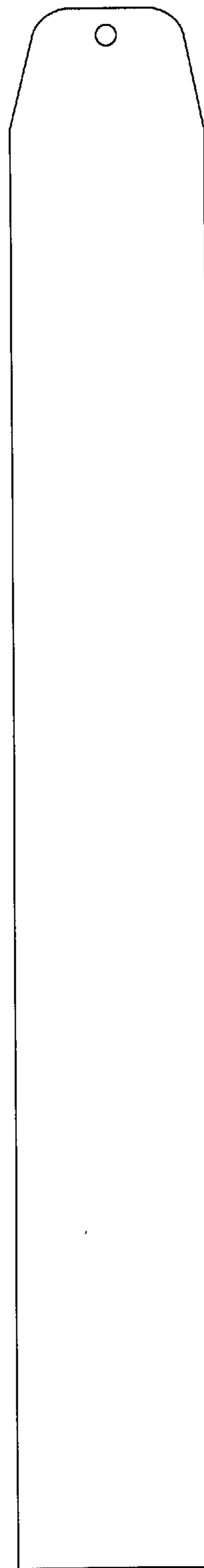


Fig-3

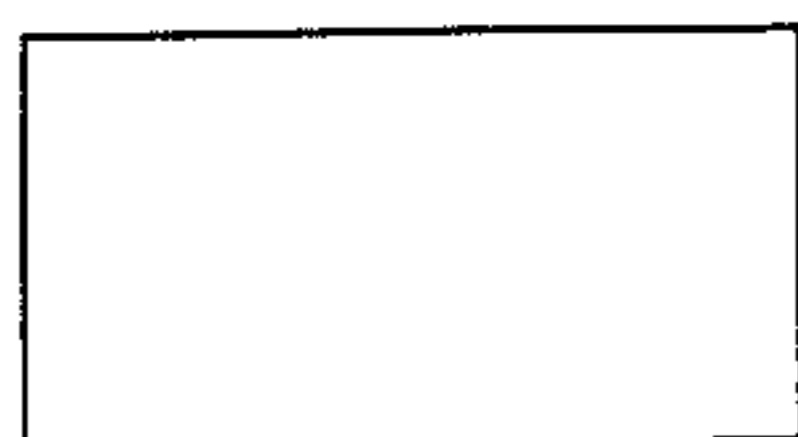


Fig-4

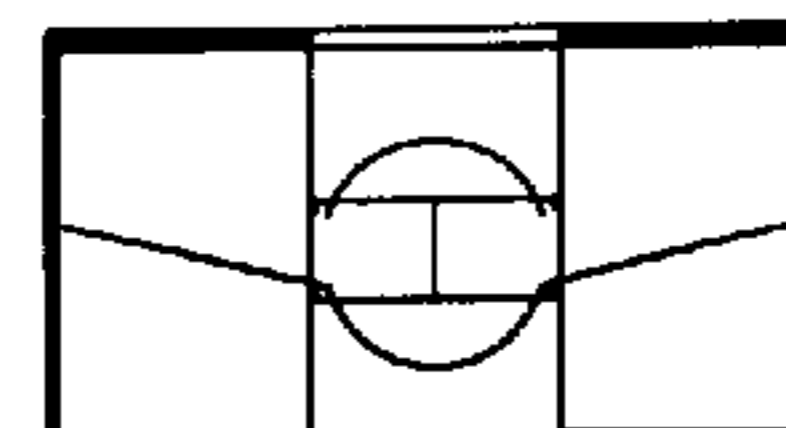


Fig-5

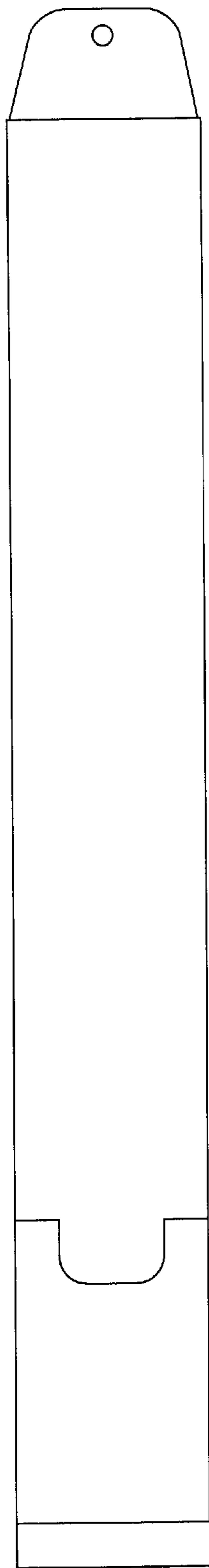


Fig-6



Fig-7