



US00D458781S

(12) **United States Design Patent**
Cook et al.

(10) **Patent No.:** **US D458,781 S**

(45) **Date of Patent:** **** Jun. 18, 2002**

(54) **SHELF DIVIDER**

(75) Inventors: **Deborah Ann Cook**, Huntington Beach, CA (US); **Marvin L. Runge**, Edgerton, WI (US)

(73) Assignee: **Spacesaver Corporation**, Fort Atkinson, WI (US)

(**) Term: **14 Years**

(21) Appl. No.: **29/129,583**

(22) Filed: **Sep. 15, 2000**

(51) **LOC (7) Cl.** **06-06**

(52) **U.S. Cl.** **D6/511**

(58) **Field of Search** D6/332, 491, 492, D6/509, 510, 511; D8/380, 381; 108/27, 50.02, 60; 211/153, 184

(56) **References Cited**

U.S. PATENT DOCUMENTS

2,604,213	A	7/1952	Bales et al.	
3,160,282	A	12/1964	Gunn	
3,269,558	A	8/1966	Hess	
3,905,484	A	9/1975	Dean et al.	
4,064,813	A	* 12/1977	Hewett et al.	108/60
4,595,105	A	6/1986	Gold	
4,858,774	A	8/1989	Winter et al.	
4,889,397	A	12/1989	Ryan	

5,148,927	A	9/1992	Gebka	
D343,082	S	* 1/1994	Sayad	D6/509
5,348,385	A	* 9/1994	Berg	312/247
5,406,893	A	* 4/1995	Burns	108/60
D407,011	S	* 3/1999	Boije	D8/381
5,971,173	A	10/1999	Valiulis et al.	
D431,913	S	* 10/2000	Rowan	D6/332
6,164,215	A	* 12/2000	Cook et al.	108/60

* cited by examiner

Primary Examiner—Cathron C. Brooks

(74) *Attorney, Agent, or Firm*—Boyle, Fredrickson, Newholm, Stein & Gratz, S.C.

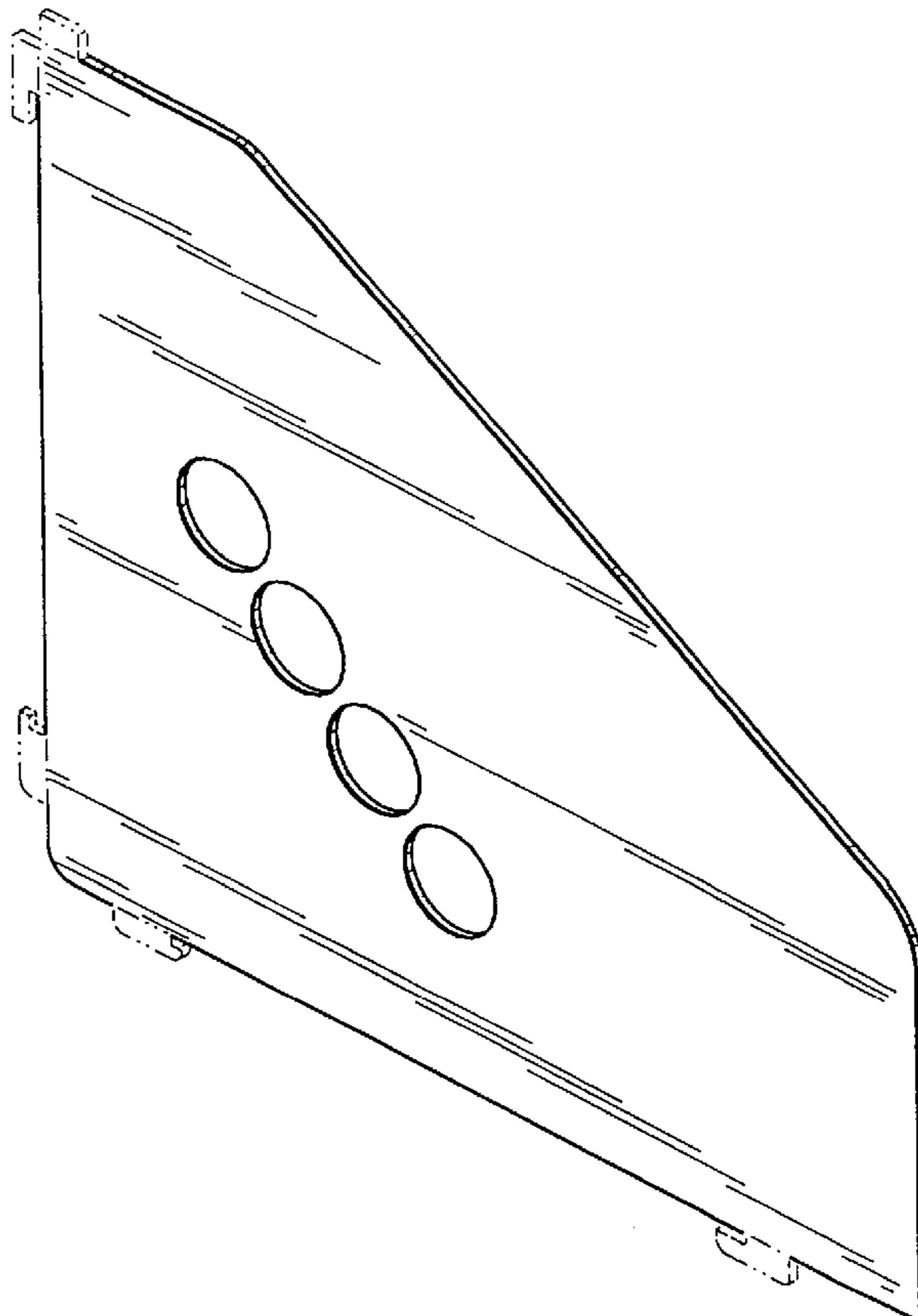
(57) **CLAIM**

The ornamental design for a shelf divider, as shown and described.

DESCRIPTION

FIG. 1 is an isometric view of a shelf divider incorporating my new design;
FIG. 2 is a front elevation view thereof;
FIG. 3 is a left side elevation view thereof;
FIG. 4 is a right side elevation view thereof;
FIG. 5 is a top plan view thereof; and,
FIG. 6 is a bottom plan view thereof.
The broken lines shown are for illustrative purposes only and form no part of the claimed design.

1 Claim, 2 Drawing Sheets



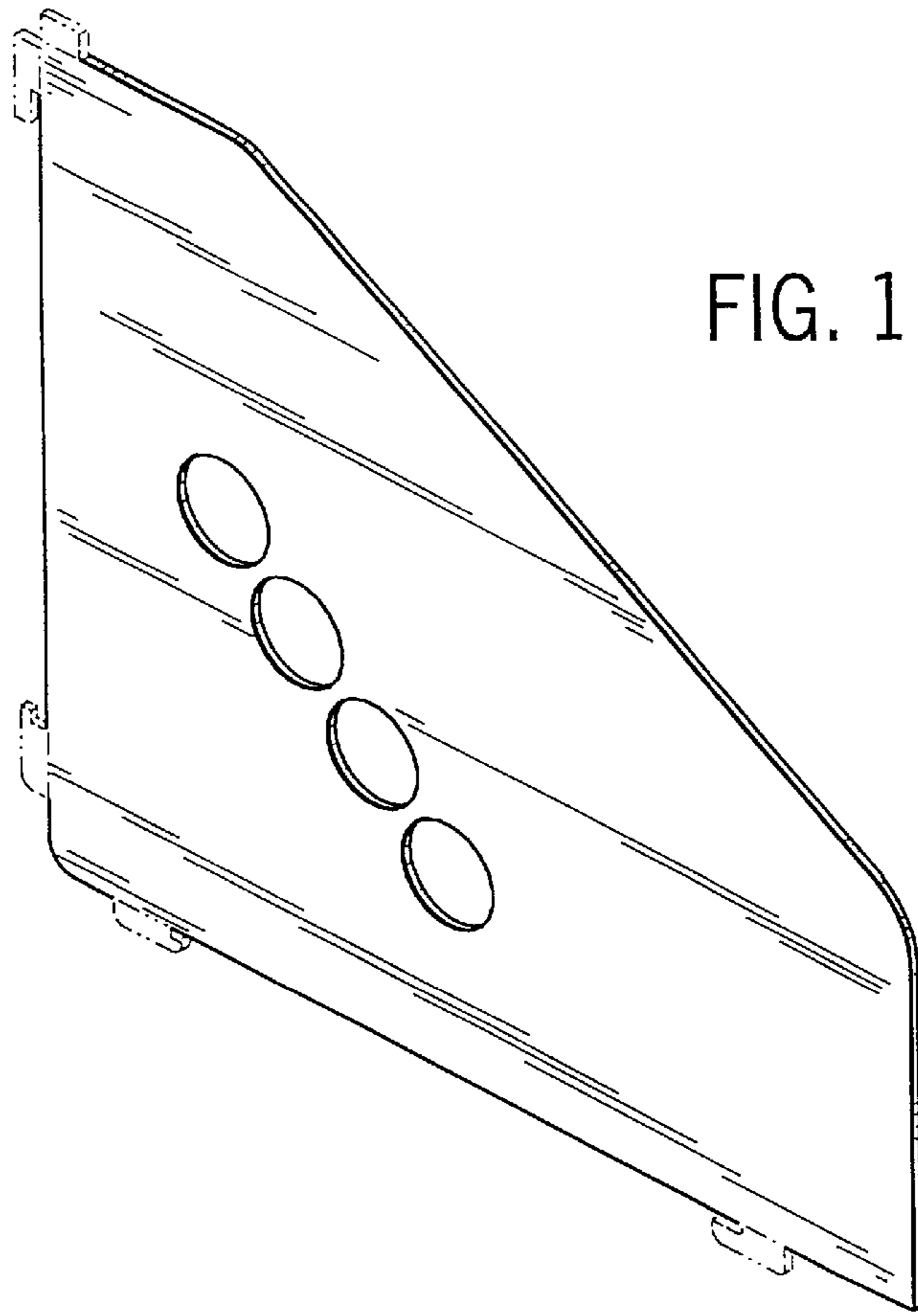


FIG. 1

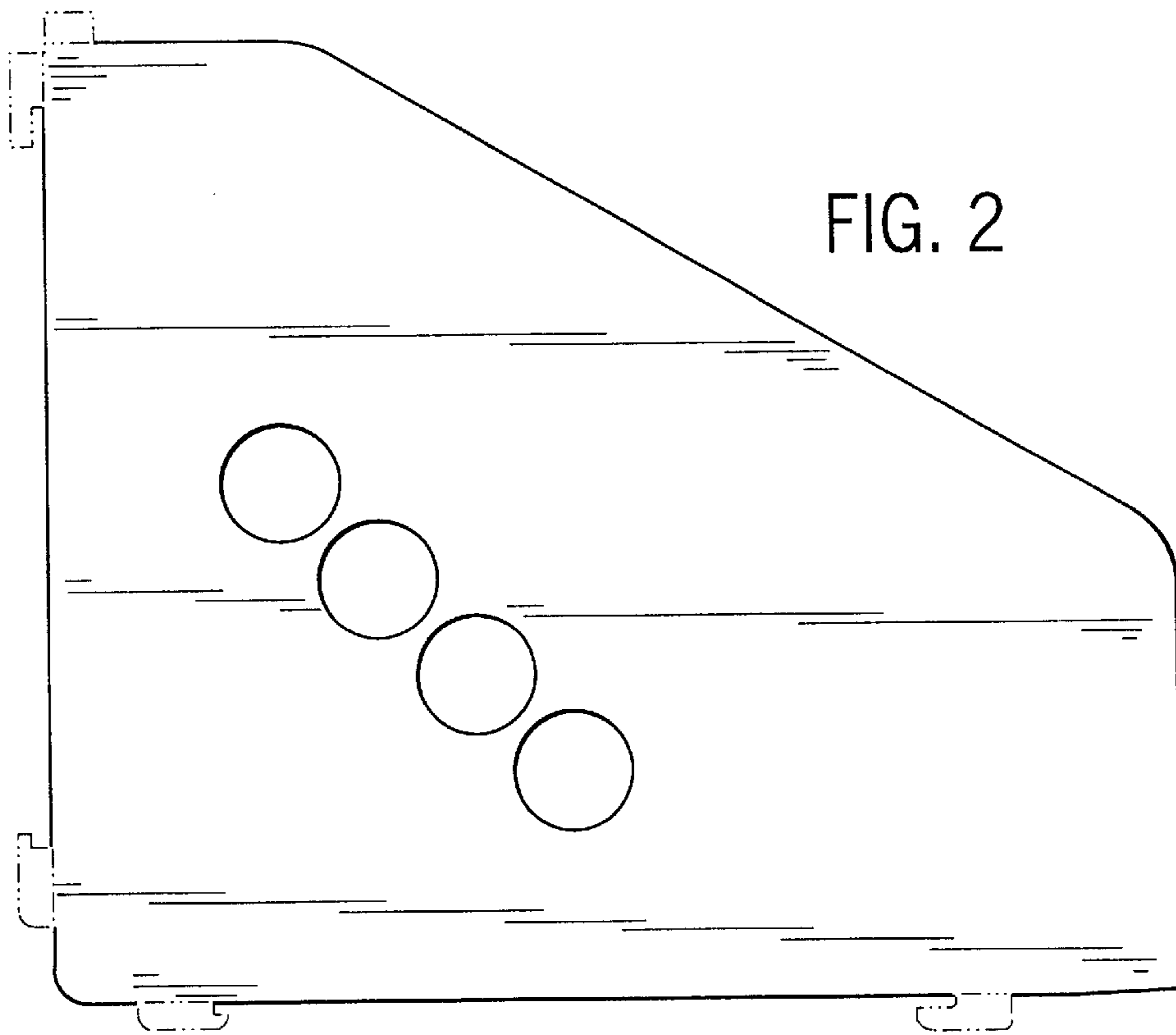


FIG. 2



FIG. 3



FIG. 4

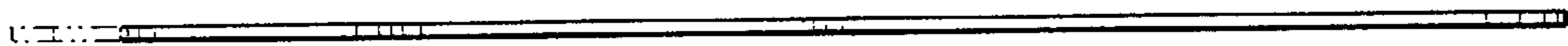


FIG. 5



FIG. 6