



US00D458780S

(12) **United States Design Patent**
Siepmann et al.

(10) **Patent No.:** **US D458,780 S**

(45) **Date of Patent:** **** Jun. 18, 2002**

- (54) **DRAWER FRONT FACE**
- (75) Inventors: **Paul J. Siepmann**, Hartland; **Michael J. Marchant**, Franklin; **Vanessa B. Parrish**, Milwaukee; **John J. Simerlein**, Germantown; **Mark A. Gilbertson**, Sauk City, all of WI (US)
- (73) Assignee: **The Brewer Company, LLC**, Menomonee Falls, WI (US)
- (**) Term: **14 Years**
- (21) Appl. No.: **29/143,764**
- (22) Filed: **Jun. 19, 2001**
- (51) **LOC (7) Cl.** **06-06**
- (52) **U.S. Cl.** **D6/510**
- (58) **Field of Search** D6/396, 422, 445, D6/446, 447, 510; 312/330, 348.4, 352

- 3,499,529 A 3/1970 Katzfey et al.
- 3,638,935 A 2/1972 Lelugas et al.
- 3,658,317 A 4/1972 Bartlett et al.
- 3,814,414 A 6/1974 Chapa
- 3,944,205 A 3/1976 Mueller
- 4,003,704 A 1/1977 Zurolo et al.
- 4,034,972 A 7/1977 Peterson
- D245,287 S 8/1977 Damico et al.
- 4,045,078 A 8/1977 Shine
- 4,057,240 A 11/1977 Damico et al.
- 4,076,230 A 2/1978 Pike
- D250,043 S 10/1978 Shine
- 4,168,099 A 9/1979 Jacobs et al.
- 4,180,002 A 12/1979 Huempfner
- 4,221,371 A 9/1980 Kuphal
- 4,284,268 A 8/1981 Gauthier
- 4,287,422 A 9/1981 Kuphal et al.
- D263,777 S 4/1982 Thompson
- 4,322,899 A 4/1982 Clune
- D265,241 S 6/1982 Patterson
- D265,242 S 6/1982 Patterson
- D266,023 S 8/1982 McLachlan

(List continued on next page.)

(56) **References Cited**

U.S. PATENT DOCUMENTS

- 217,646 A 7/1879 Sherer
- 487,625 A 12/1892 Kales
- 488,649 A 12/1892 Daggett
- 542,060 A 7/1895 Lentz
- 1,039,708 A 10/1912 Denquer
- 1,684,889 A 9/1928 Russ
- 1,891,629 A 12/1932 Van Wagner
- 1,967,422 A 7/1934 Nadelson
- 2,267,973 A 12/1941 Demcak
- 2,272,819 A 2/1942 Poetsch et al.
- 2,606,801 A 8/1952 Champaine
- D170,305 S 9/1953 Claus
- 2,652,887 A 9/1953 Fitzgerald
- 2,679,445 A 5/1954 Roehm
- 3,016,275 A 1/1962 Grant
- D204,222 S 3/1966 Dailey
- D207,081 S 2/1967 Katzfey et al.
- D207,483 S 4/1967 Dottinger
- 3,334,951 A 8/1967 Douglass, Jr. et al.
- 3,348,893 A 10/1967 Katzfey et al.
- 3,409,287 A 11/1968 Chervenka
- 3,413,663 A 12/1968 Swann

Primary Examiner—Cathron C. Brooks
(74) *Attorney, Agent, or Firm*—Ryan Kromholz & Manion, S.C.

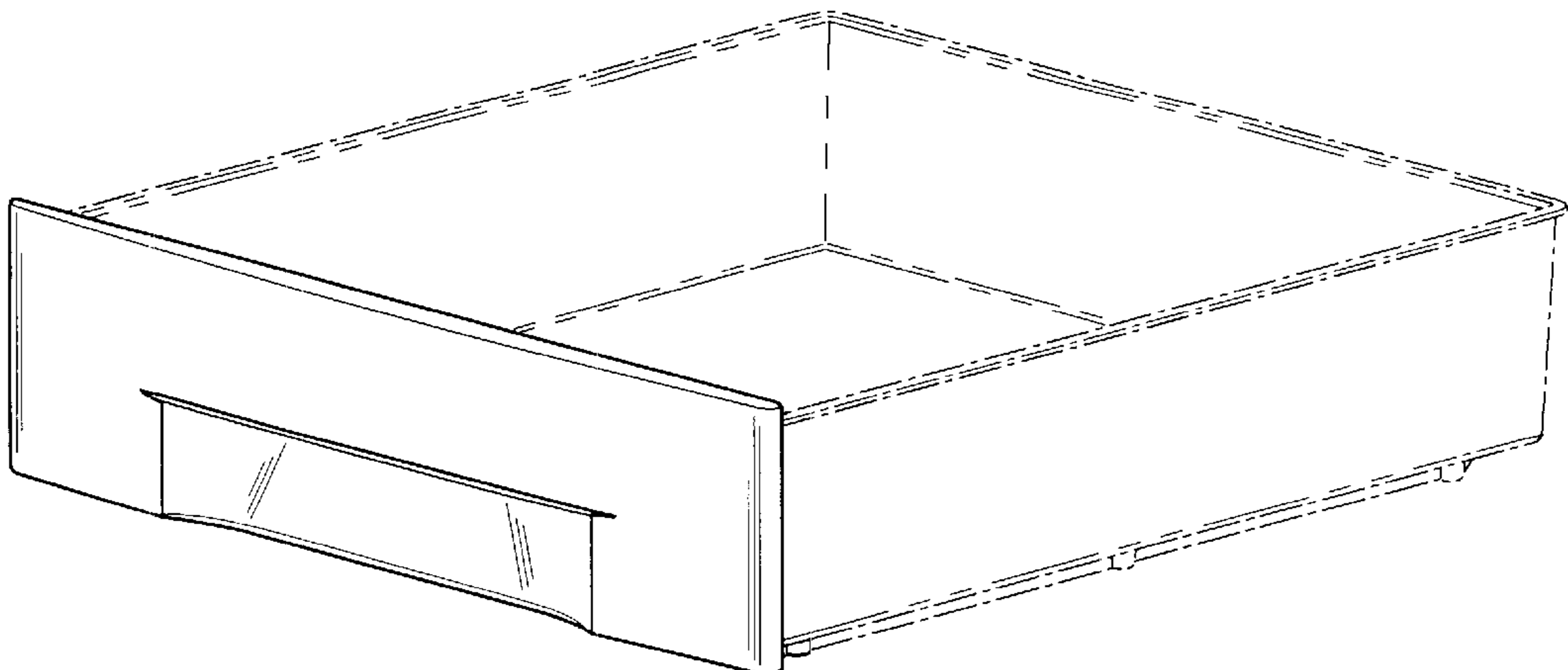
(57) **CLAIM**

The ornamental design for a drawer front face, as shown and described.

DESCRIPTION

FIG. 1 is a top right perspective view of a drawer front face, showing our new design;
FIG. 2 is bottom left perspective view thereof;
FIG. 3 is a front elevational view thereof;
FIG. 4 is a right side elevational view thereof;
FIG. 5 is a left side elevational view thereof; and,
FIG. 6 is a top plan view thereof.
The broken line showing of a drawer in FIGS. 1, 2, 4, 5 and 6 is illustrative of environmental structure only and forms no part of the claimed design.

1 Claim, 2 Drawing Sheets



US D458,780 S

Page 2

U.S. PATENT DOCUMENTS

D266,765 S	11/1982	Clune		D330,813 S	11/1992	Spitzer et al.
4,383,351 A	5/1983	Fenwick		5,203,135 A	4/1993	Bastian
4,407,687 A	10/1983	Mitchell		D335,409 S *	5/1993	Kellems D6/510
4,506,872 A	3/1985	Westerberg et al.		5,208,928 A	5/1993	Kuck et al.
4,508,387 A	4/1985	Gilbert et al.		5,223,229 A	6/1993	Brucker
D278,668 S	5/1985	Simpkins		D341,737 S *	11/1993	Shepherd D6/509
4,516,805 A	5/1985	Leeper et al.		5,269,326 A	12/1993	Verrier
4,529,185 A	7/1985	Gutierrez		D344,802 S	3/1994	Kuck et al.
4,547,092 A	10/1985	Vetter et al.		D345,266 S *	3/1994	Koguma D6/422
4,552,403 A	11/1985	Yindra		5,329,657 A	7/1994	Bartley et al.
D282,398 S	1/1986	Yindra		5,339,750 A	8/1994	Smies
4,586,398 A	5/1986	Yindra		5,345,632 A	9/1994	Langenaeken
4,586,762 A *	5/1986	Kennedy et al.	D6/510 X	5,369,825 A	12/1994	Ressby
4,600,248 A	7/1986	Pflieger		5,369,827 A	12/1994	Parke et al.
4,602,756 A	7/1986	Chatfield		5,403,549 A	4/1995	McNeil
4,606,575 A	8/1986	Kodet		5,426,795 A	6/1995	Harty
D286,481 S *	11/1986	Case et al.	D6/510	D365,224 S	12/1995	Pohlman
4,653,129 A	3/1987	Kuck et al.		5,472,270 A	12/1995	Czarnecky et al.
4,667,605 A	5/1987	Bastian		5,496,105 A	3/1996	Czarnecky et al.
4,691,393 A	9/1987	Kuck		5,507,050 A	4/1996	Welner
4,700,916 A	10/1987	Bastian et al.		D370,572 S *	6/1996	Lin D6/446
4,716,840 A	1/1988	Tringali et al.		5,538,215 A	7/1996	Hosey
4,717,102 A	1/1988	Pflieger		5,564,662 A	10/1996	Lussi et al.
4,732,089 A	3/1988	Mueller		5,565,834 A	10/1996	Hanley
4,732,430 A *	3/1988	Byrns D6/510 X		5,568,209 A	10/1996	Priester et al.
4,750,305 A	6/1988	Bastian		5,568,817 A	10/1996	Harty et al.
4,752,977 A	6/1988	Smith et al.		5,628,078 A	5/1997	Pennington et al.
D297,597 S	9/1988	Simpkins et al.		5,638,644 A	6/1997	Bastian
4,796,846 A	1/1989	Meier et al.		5,655,238 A	8/1997	Stickey et al.
4,805,365 A	2/1989	Bastian		5,661,859 A	9/1997	Schaefer
D300,657 S	4/1989	Simpkins et al.		5,678,267 A	10/1997	Kinder
4,819,569 A	4/1989	Bastian et al.		5,680,957 A	10/1997	Liu
4,821,350 A	4/1989	Feldt		D386,634 S *	11/1997	Daug's D6/510
D300,997 S	5/1989	Simpkins et al.		5,754,997 A	5/1998	Lussi et al.
4,826,117 A	5/1989	Bastian et al.		5,771,513 A	6/1998	Kirchgeorg et al.
D301,925 S	6/1989	Simpkins et al.		5,781,943 A	7/1998	Moenning et al.
4,846,431 A	7/1989	Pflieger		5,855,207 A	1/1999	Moenning et al.
4,852,941 A	8/1989	Jones		D404,945 S	2/1999	Simpkins et al.
4,905,266 A	2/1990	Kuck et al.		D408,537 S	4/1999	Stickley et al.
4,916,725 A	4/1990	Quinter et al.		D408,538 S	4/1999	Simpkins et al.
4,956,592 A	9/1990	Schulte et al.		D408,539 S	4/1999	Simpkins
4,958,816 A	9/1990	Chaney et al.		5,913,773 A	6/1999	Cox
4,961,610 A	10/1990	Reeder et al.		5,919,131 A	7/1999	Smoler et al.
4,966,351 A	10/1990	Klepachi		5,924,960 A	7/1999	Cohen
4,968,013 A	11/1990	Kuck		D417,098 S	11/1999	Teufel et al.
4,973,034 A	11/1990	Michele		D417,571 S *	12/1999	Teufel et al. D6/510
D319,158 S	8/1991	Jones et al.		D418,225 S	12/1999	Simpkins et al.
5,037,053 A	8/1991	Fox et al.		6,023,800 A	2/2000	Stickley
D321,097 S	10/1991	Jones et al.		6,038,718 A	3/2000	Pennington et al.
5,078,349 A	1/1992	Smith		D428,629 S	7/2000	Cohen
5,081,808 A	1/1992	Bastian et al.		6,101,652 A	8/2000	Matern, Jr.
5,084,927 A	2/1992	Parkevich		6,115,978 A	9/2000	Bastian et al.
D326,381 S	5/1992	Heiligenthal et al.		6,131,214 A	10/2000	Moenning et al.
D330,771 S	11/1992	Chaney et al.		6,209,463 B1	4/2001	Koharchik et al.

* cited by examiner

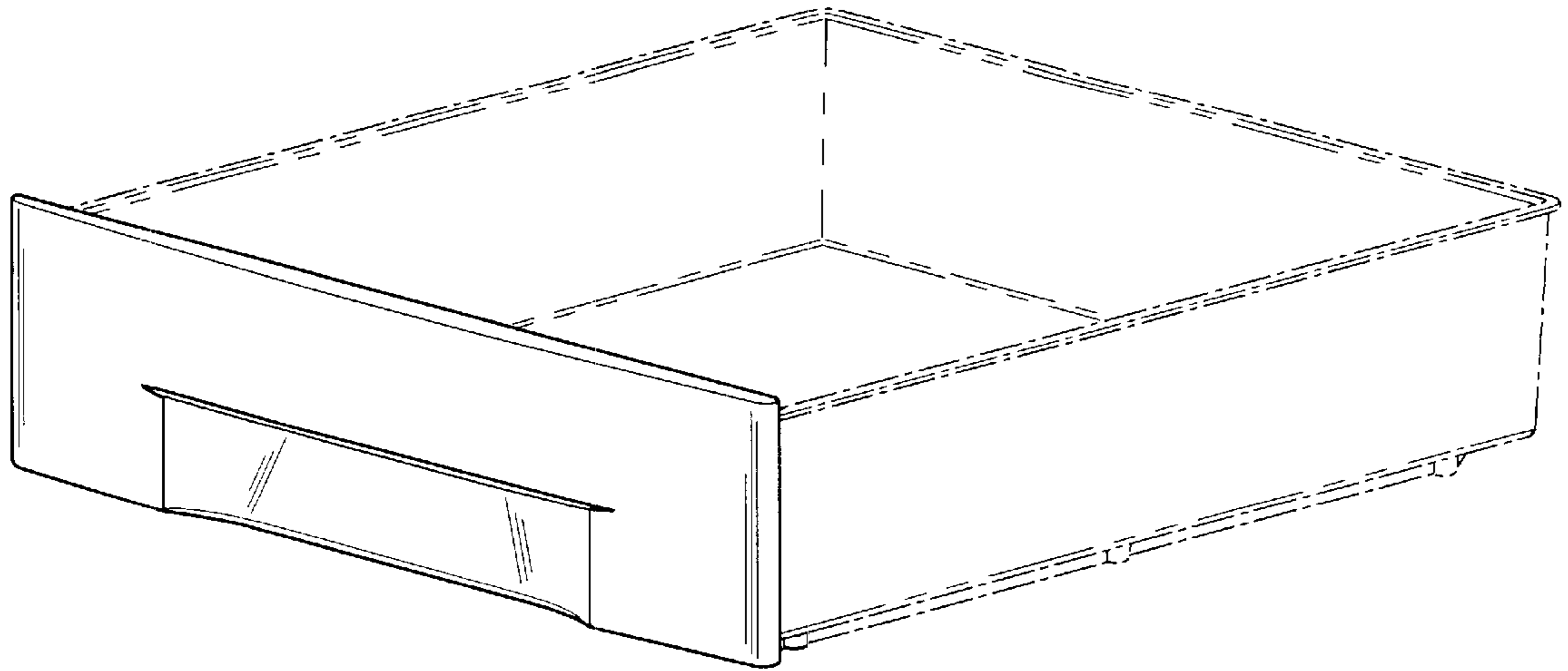


Fig. 1

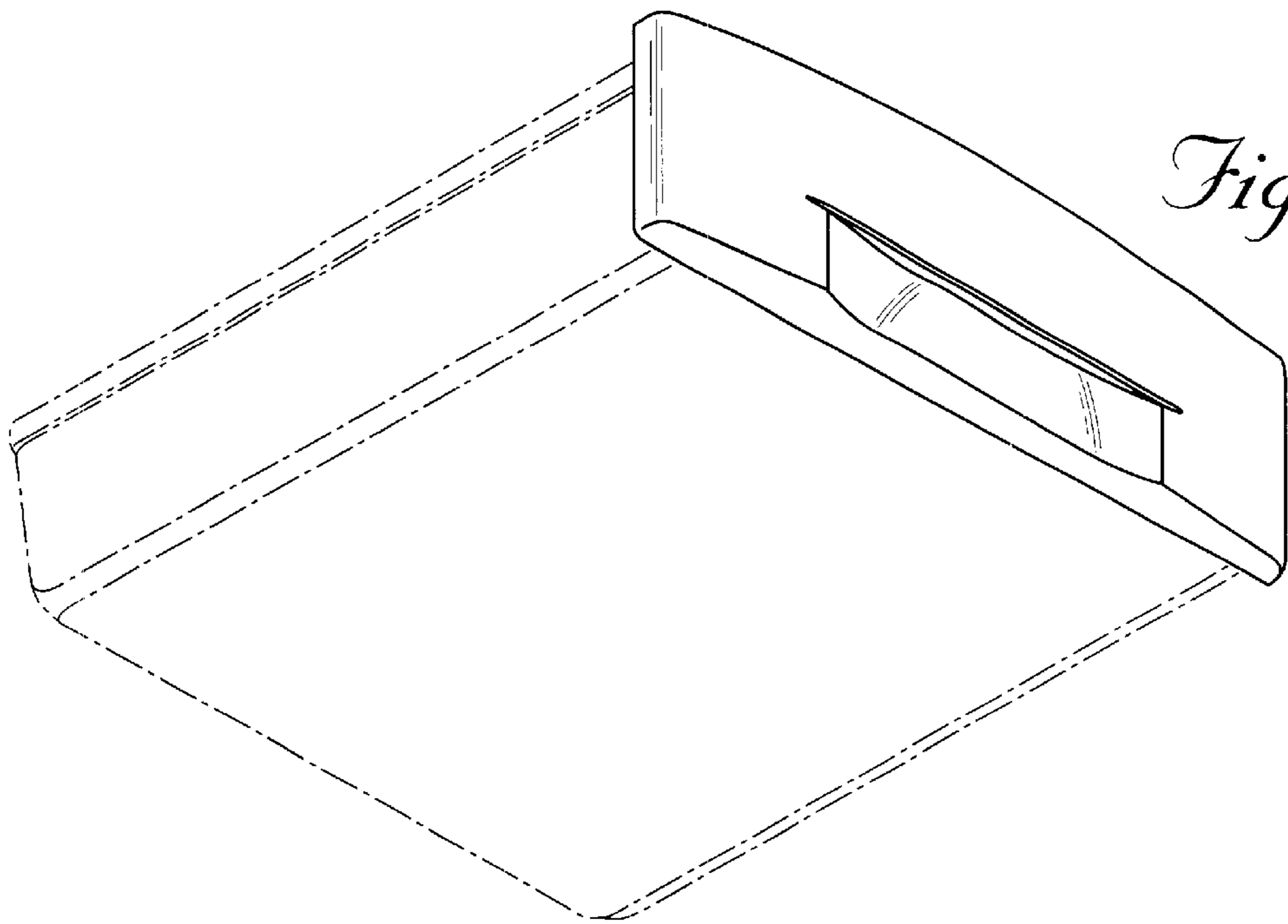


Fig. 2

Fig. 3

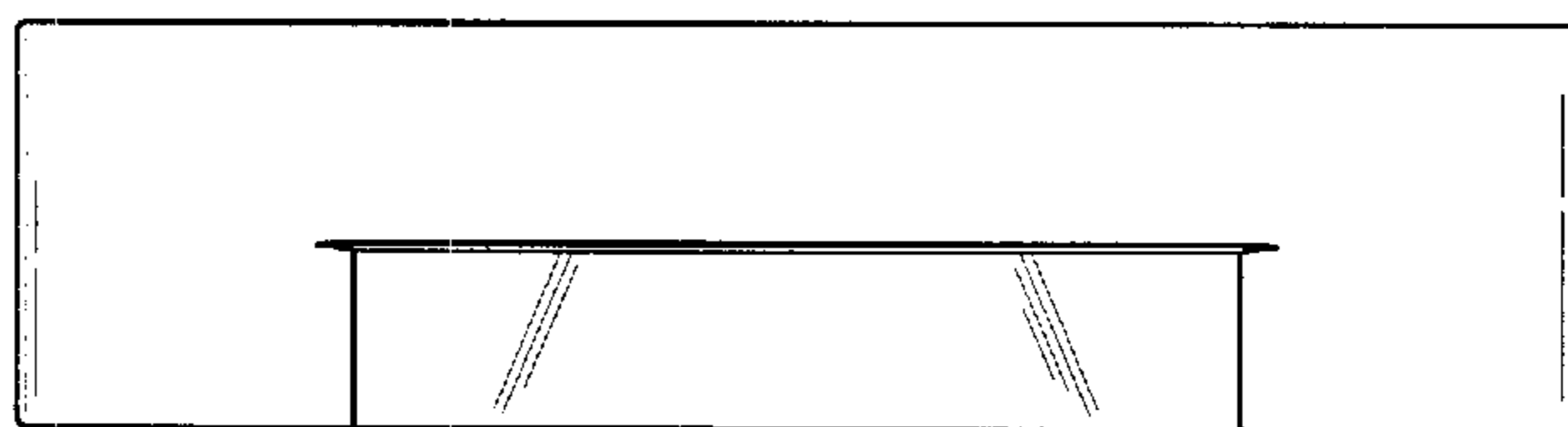


Fig. 4

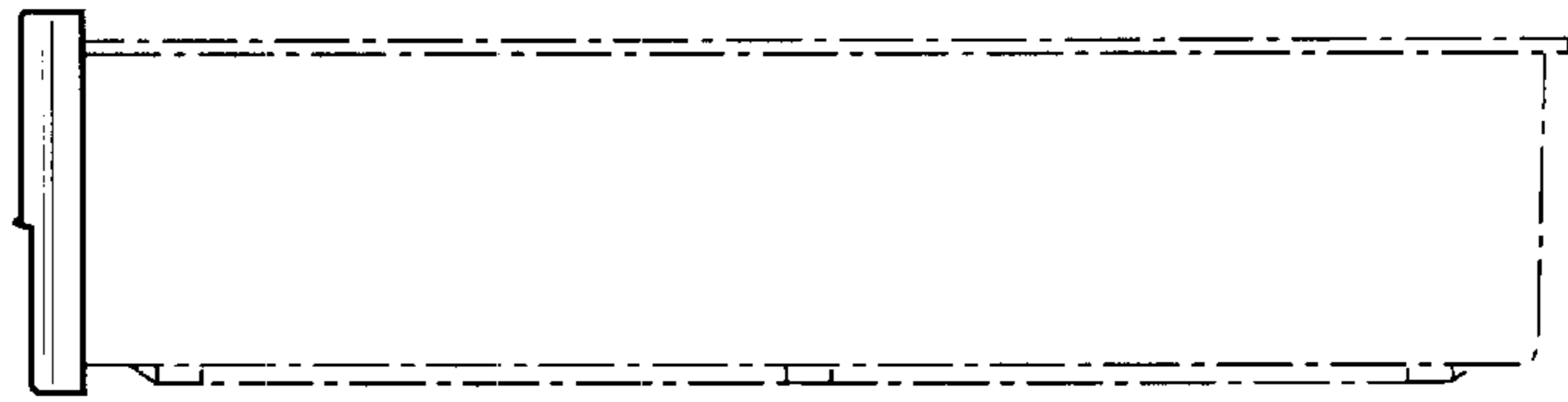


Fig. 5

Fig. 6

