



US00D458777S

(12) **United States Design Patent**
Benden et al.

(10) **Patent No.: US D458,777 S**

(45) **Date of Patent: ** Jun. 18, 2002**

(54) **CHAIR GUIDE**

DESCRIPTION

(75) Inventors: **Mark E. Benden**, College Station; **N. Michele Smithey**, Bryan, both of TX (US)

(73) Assignee: **Neutral Posture Ergonomics, Inc.**, Bryan, TX (US)

(**) Term: **14 Years**

(21) Appl. No.: **29/142,957**

(22) Filed: **Jun. 5, 2001**

(51) **LOC (7) Cl.** **06-06**

(52) **U.S. Cl.** **D6/500**

(58) **Field of Search** D6/334, 335, 336, D6/364, 365, 366, 367, 500, 501, 502, 511; 297/188.1, 188.11, 188.14, 188.15, 188.16, 188.17, 463.1, 463.2; 312/311, 312, 313

(56) **References Cited**

U.S. PATENT DOCUMENTS

2,064,749	A	12/1936	Huber	40/65
2,131,586	A	9/1938	Dano	40/130
2,545,262	A	3/1951	Coleman	40/61
3,991,495	A	11/1976	Wilson	40/64
4,715,652	A	12/1987	Ward	297/252
D345,865	S *	4/1994	Tintori	D6/336
5,372,403	A *	12/1994	Puerto	297/188.17
D430,973	S *	9/2000	Frankel et al.	D6/334
6,227,615	B1	5/2001	Newhouse et al.	297/188

OTHER PUBLICATIONS

Copy of pullout keyboard adjustment guide by details, undated.

* cited by examiner

Primary Examiner—Gary D. Watson

(74) *Attorney, Agent, or Firm*—Howrey Simon Arnold & White, LLP

(57) **CLAIM**

The ornamental design for a chair guide, as shown and described.

FIG. 1 is a front perspective view of the chair guide of the present invention, illustrating the chair guide in a closed position and attached to an exemplary arm of an exemplary chair;

FIG. 2 shows a front view of the chair guide in a closed position;

FIG. 3 shows a back view of the chair guide in a closed position;

FIG. 4 shows a right side view of the chair guide in a closed position;

FIG. 5 shows a left side view of the chair guide in a closed position;

FIG. 6 shows a top view of the chair guide in a closed position;

FIG. 7 shows a bottom view of the chair guide in a closed position;

FIG. 8 is a front perspective view of the chair guide of the present invention, illustrating the chair guide in an open position and attached to an exemplary arm of an exemplary chair;

FIG. 9 shows a front view of the chair guide in an open position;

FIG. 10 shows a back view of the chair guide in an open position;

FIG. 11 shows a right side view of the chair guide in an open position;

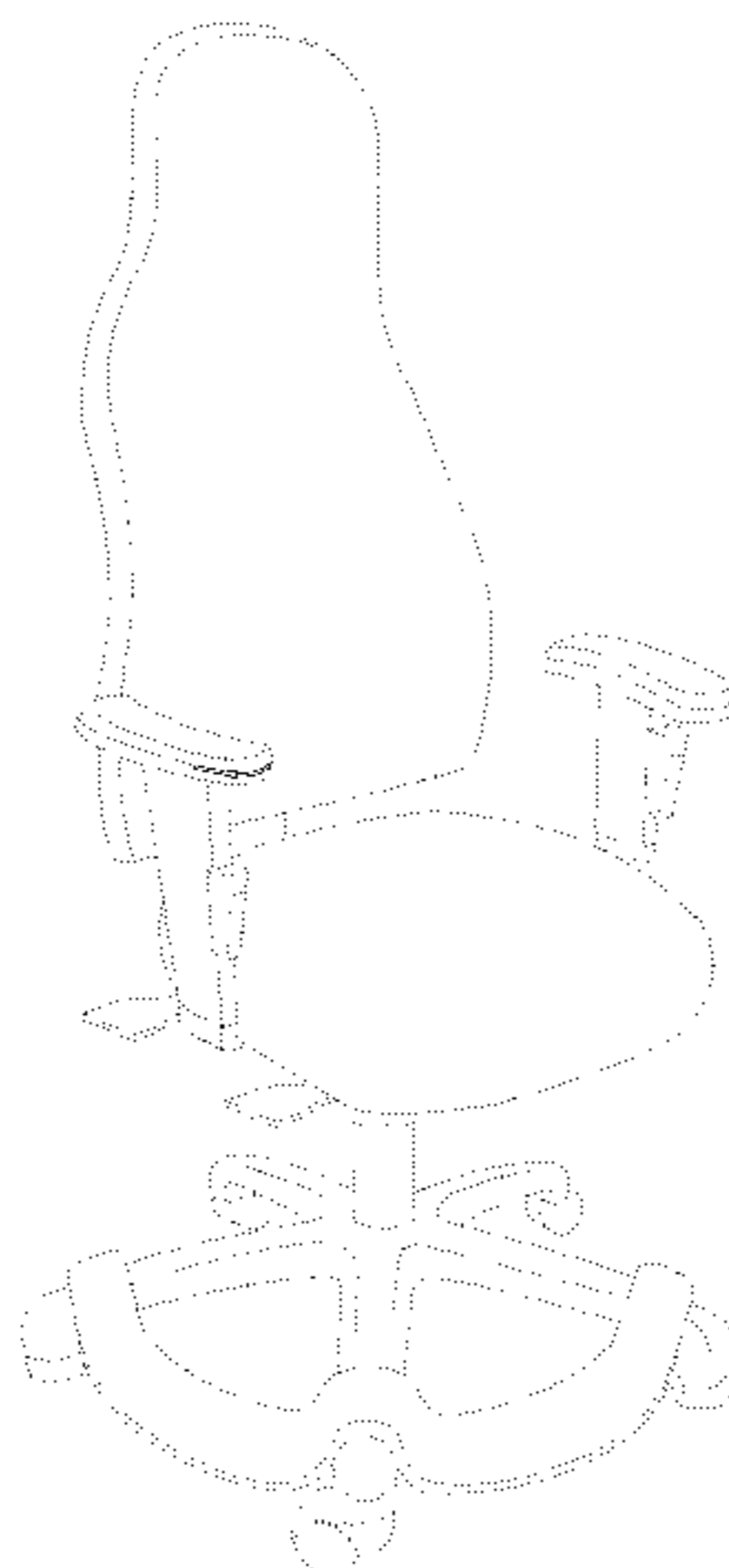
FIG. 12 shows a left side view of the chair guide in an open position;

FIG. 13 shows a top view of the chair guide in an open position; and,

FIG. 14 shows a bottom view of the chair guide in an open position.

The broken lines disclose the environment in which the claimed design is associated. These broken lines are for illustrative purposes only and form no part of the claimed design or a specified embodiment thereof. Thus, the items shown in broken lines (e.g. the chair, the chair arms, the chair legs, etc.) are exemplary only. These items illustrated in broken lines form no part of the claimed design, and are hereby disclaimed.

1 Claim, 11 Drawing Sheets



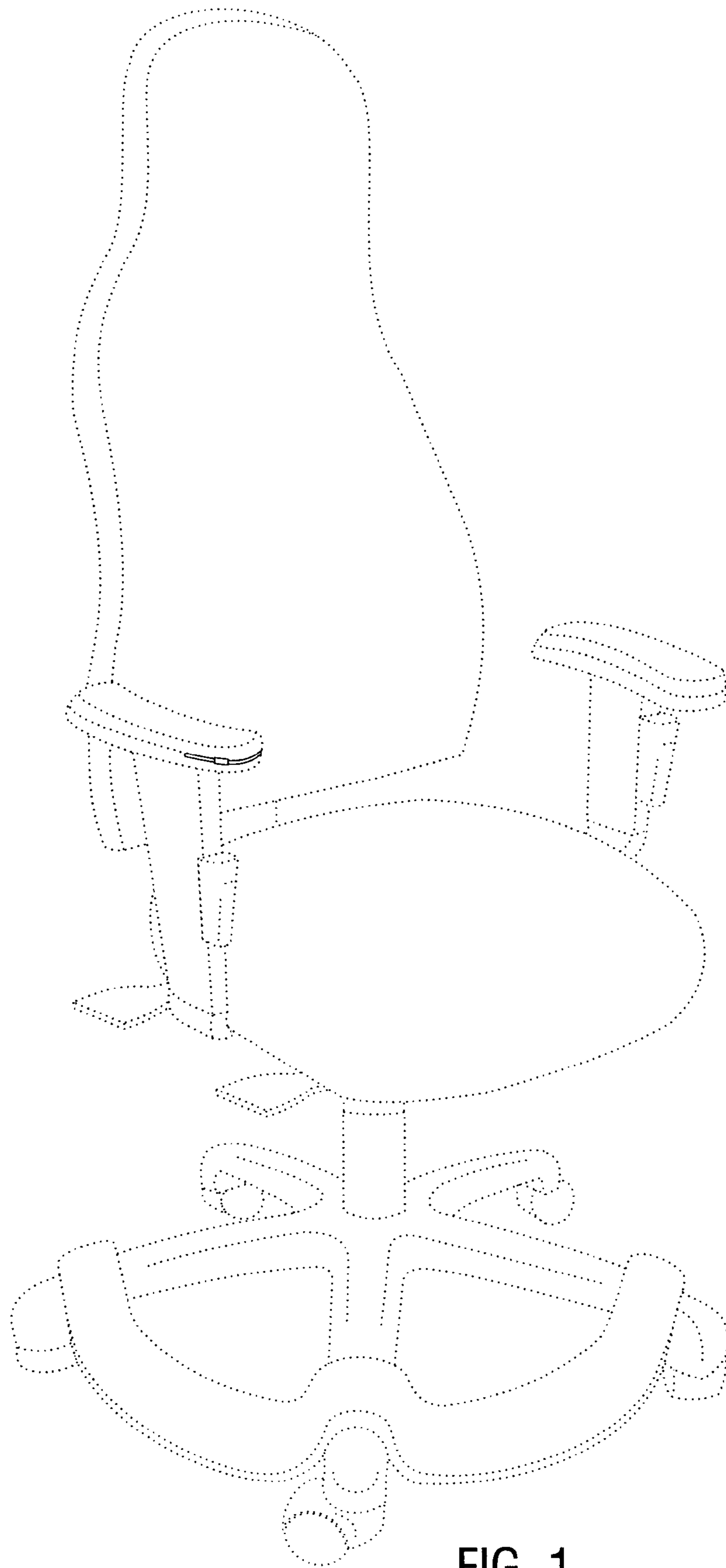


FIG. 1

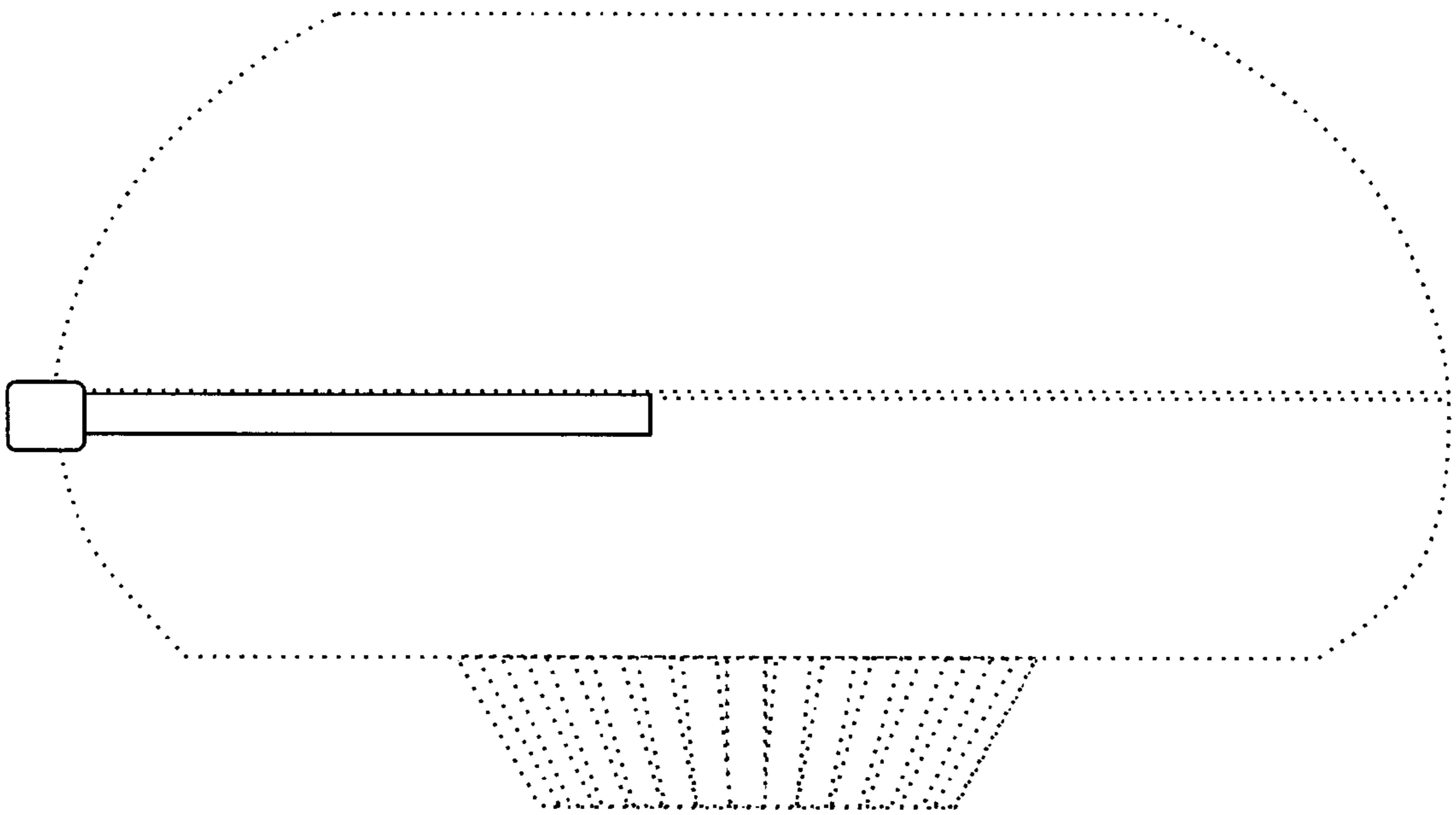


FIG. 2

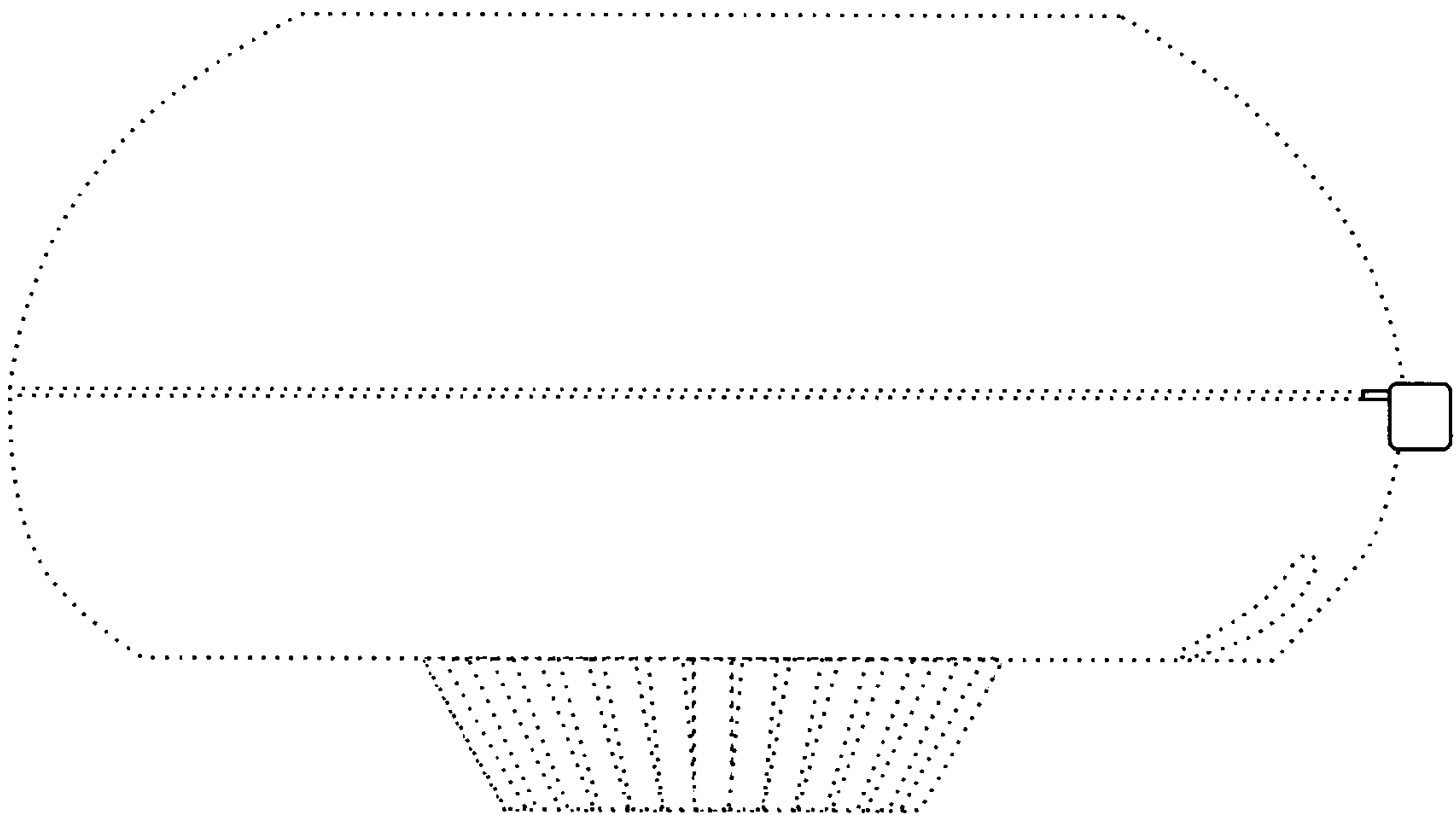


FIG. 3

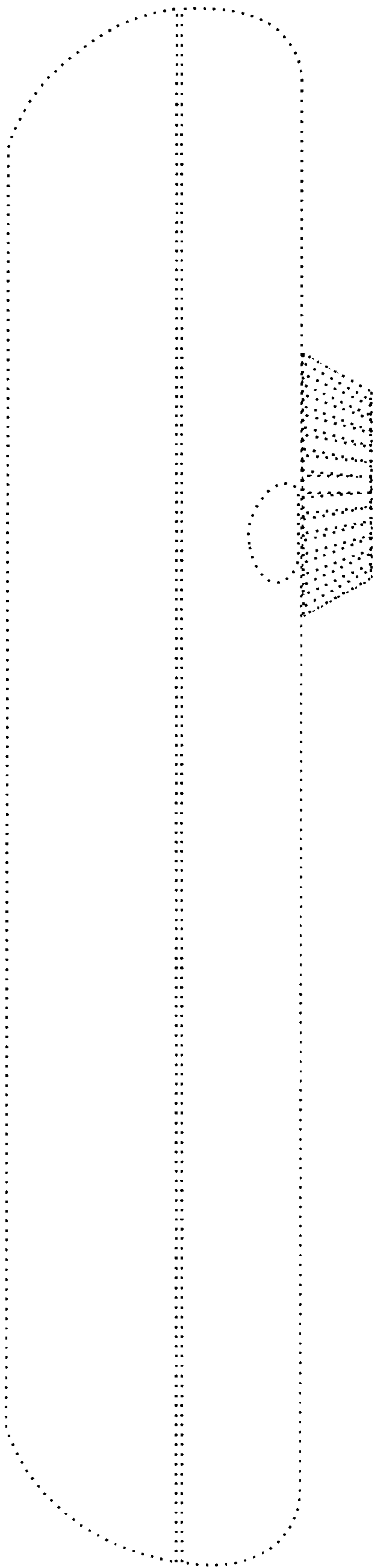


FIG. 4

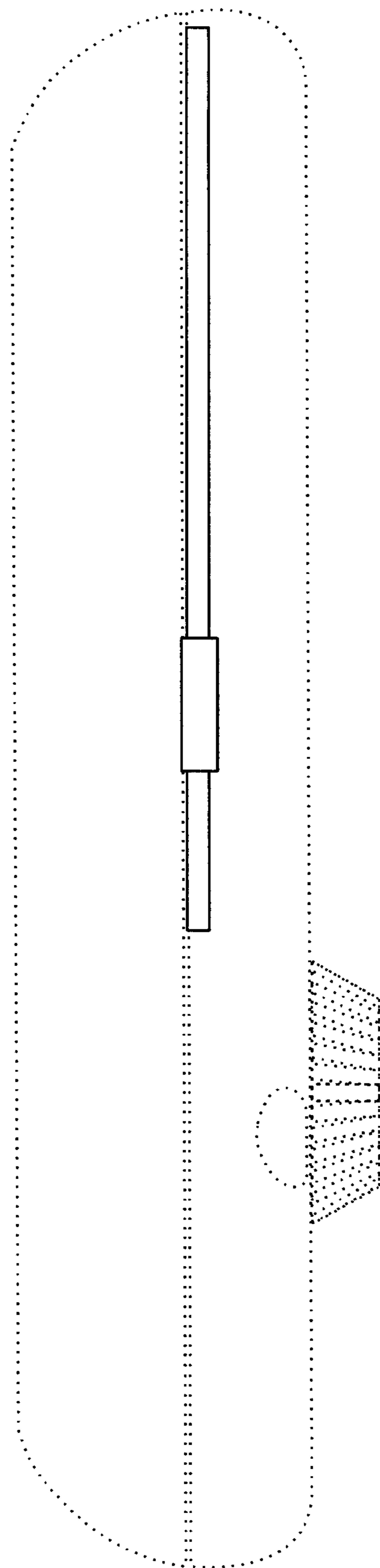


FIG. 5

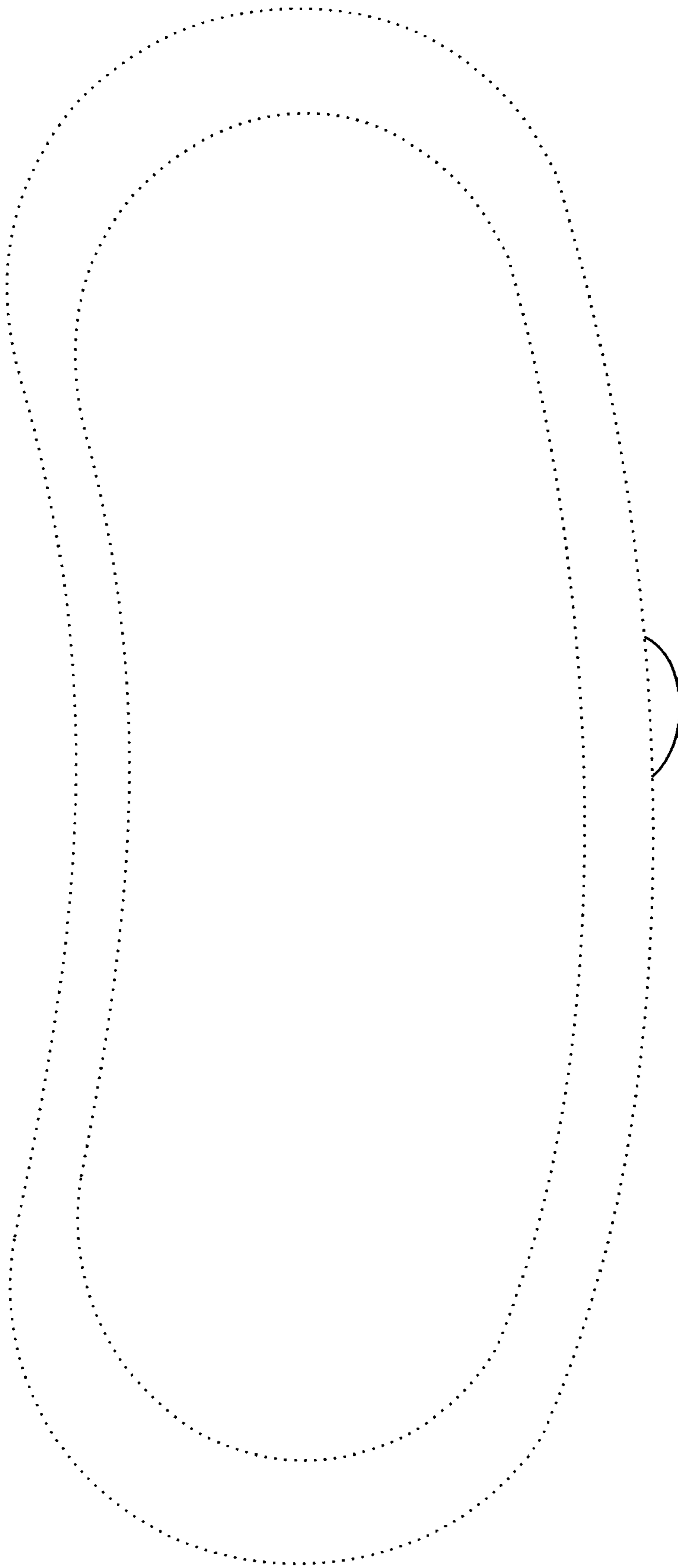


FIG. 6

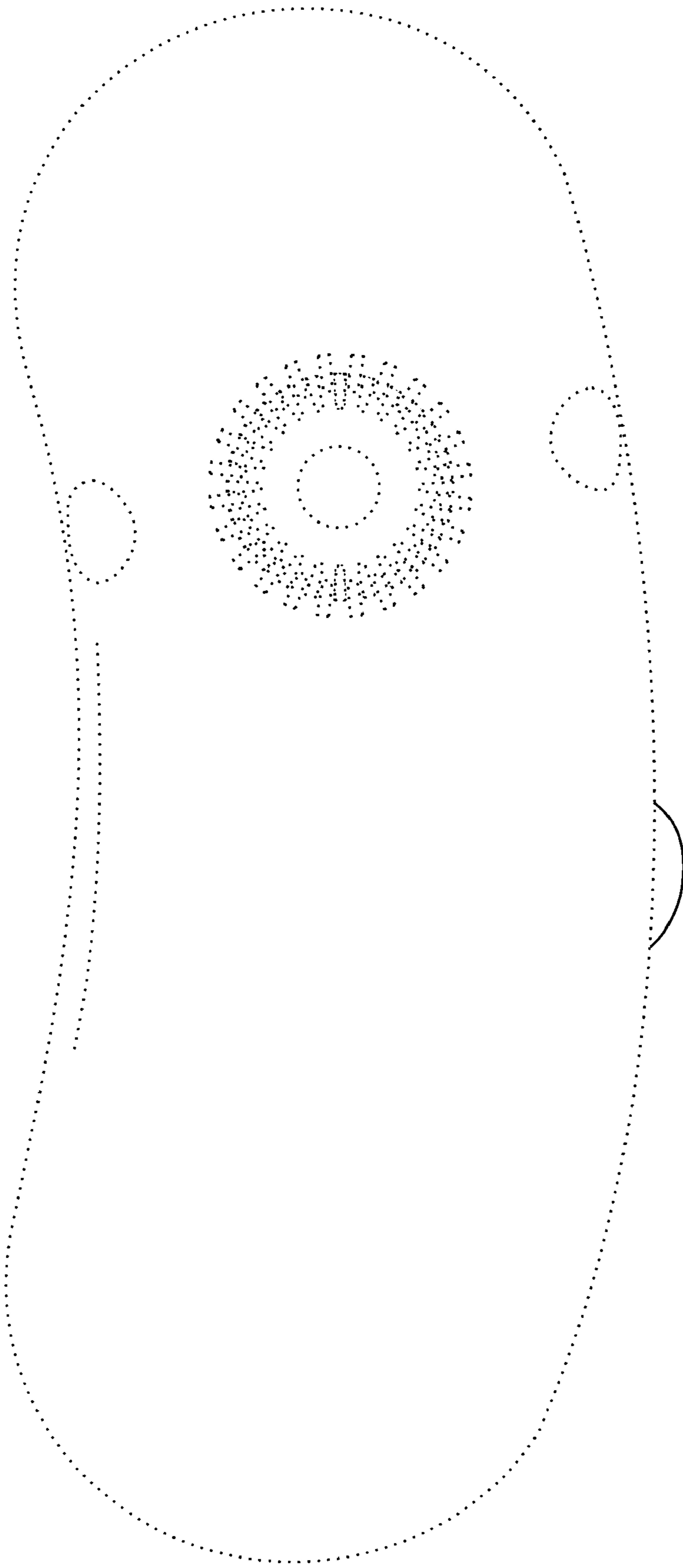


FIG. 7

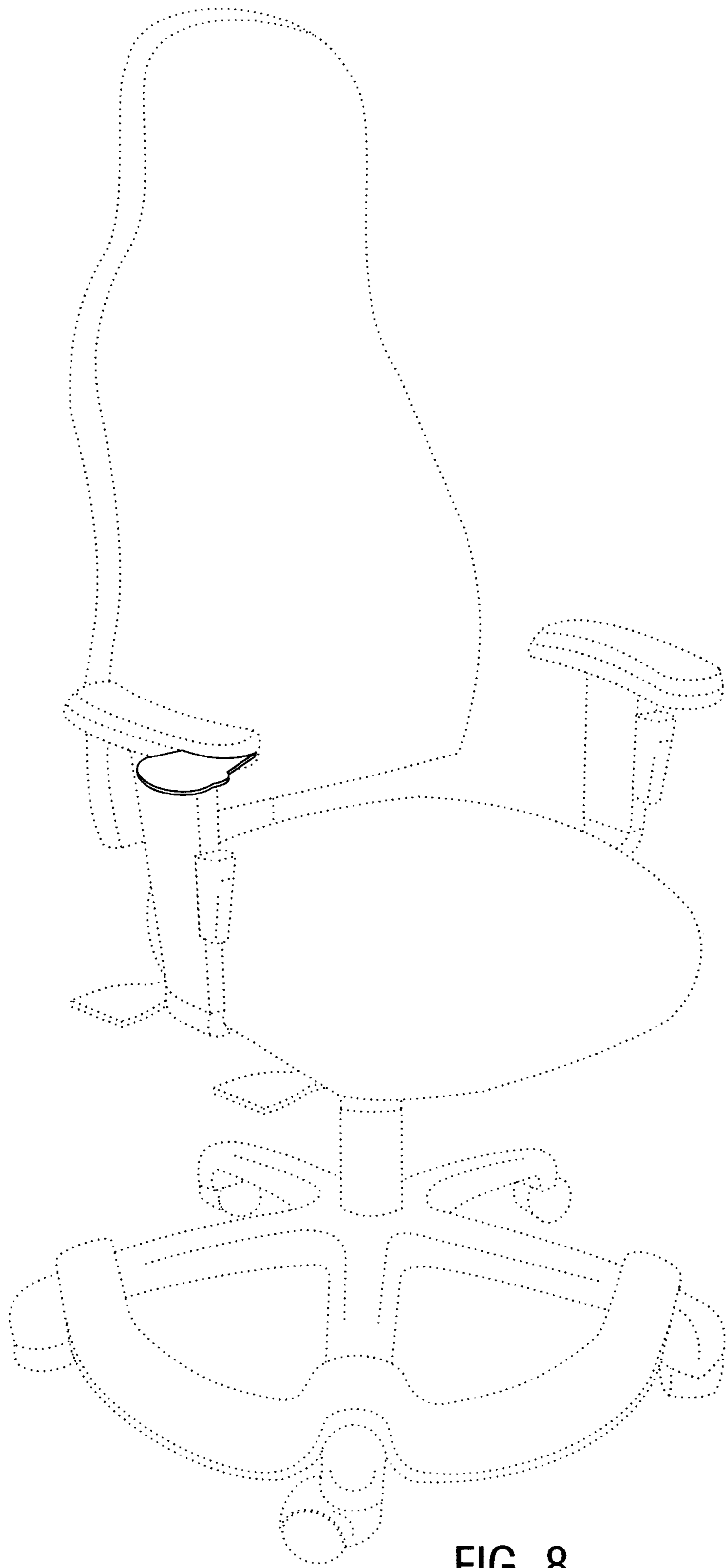


FIG. 8

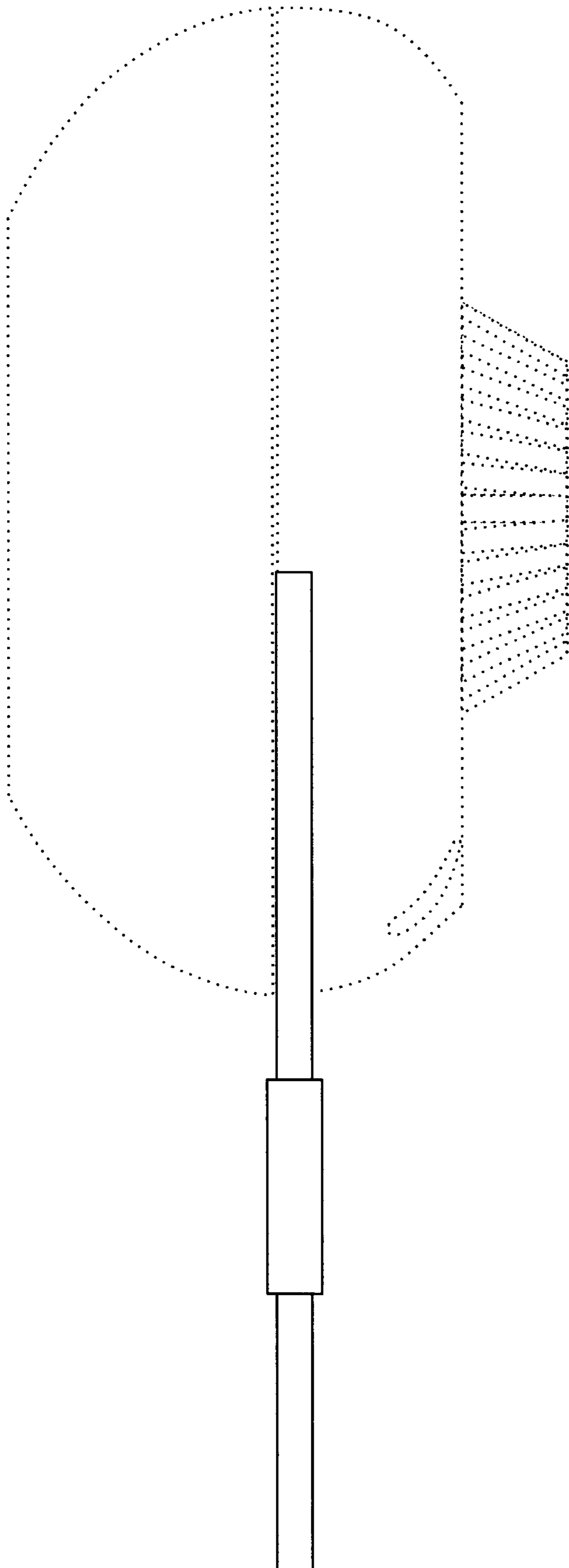


FIG. 9

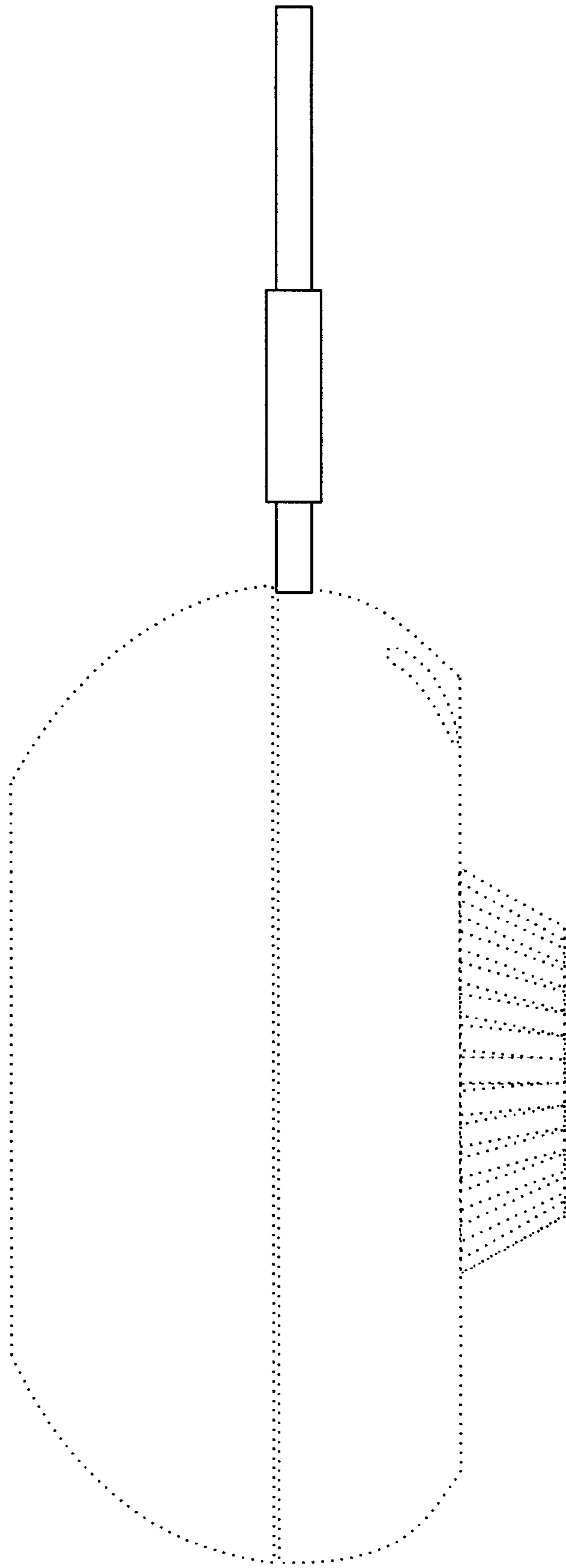


FIG. 10

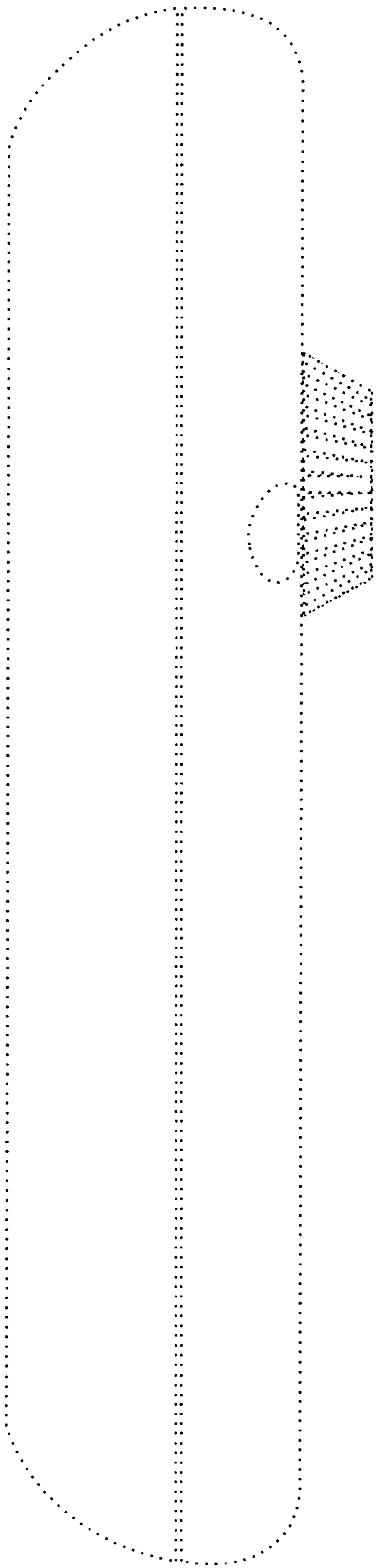


FIG. 11

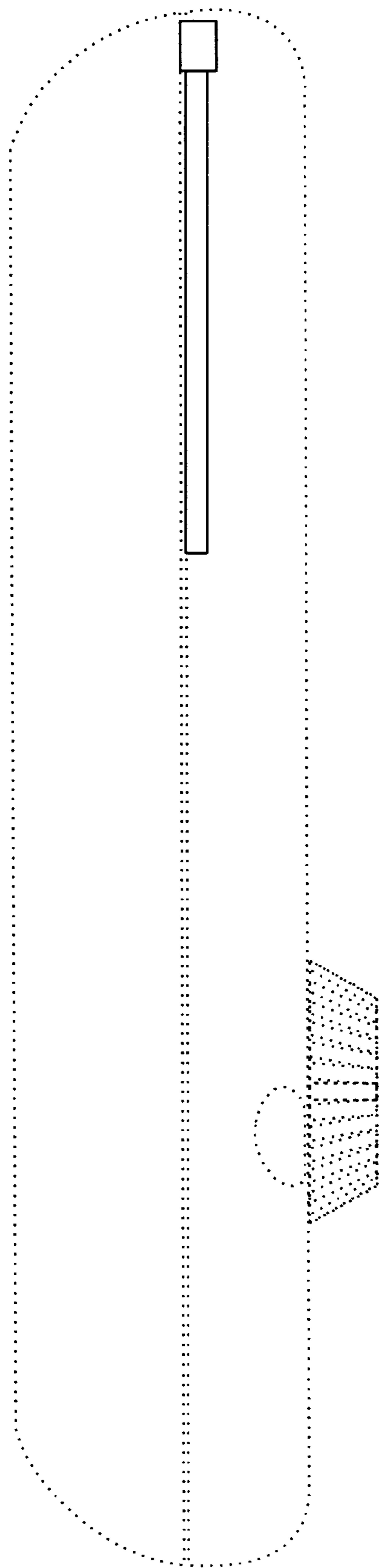


FIG. 12

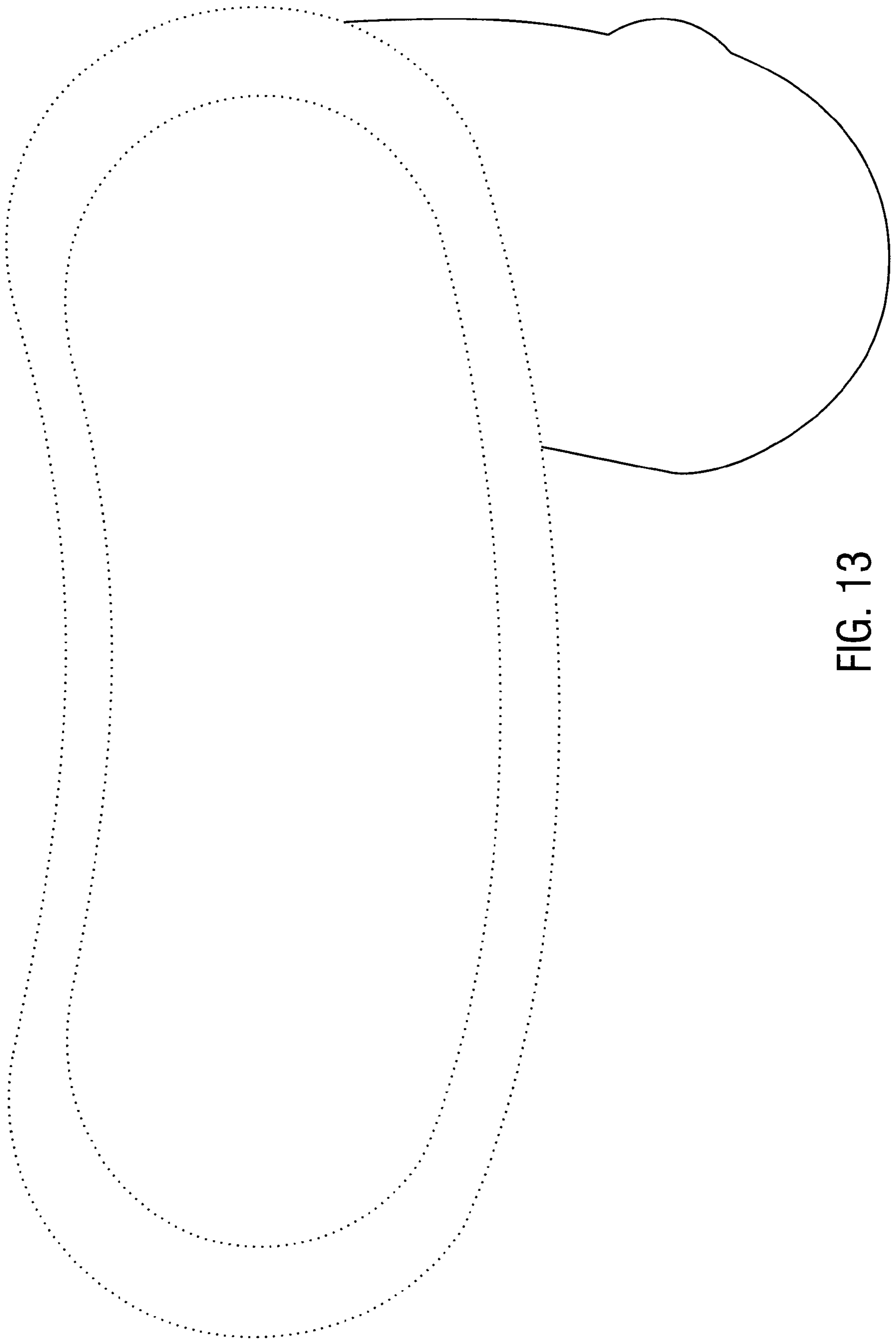


FIG. 13

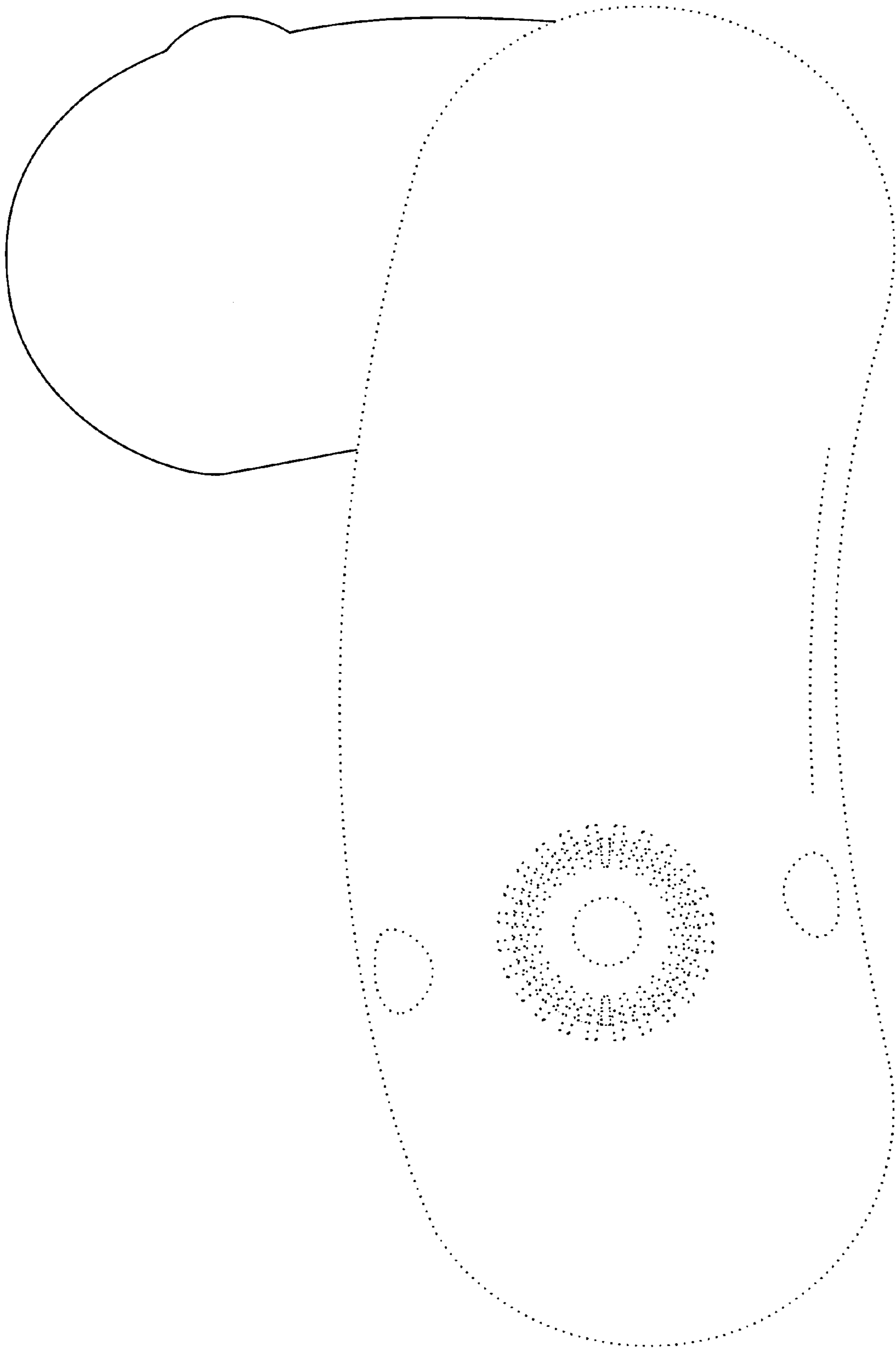


FIG. 14