



US00D458776S

(12) **United States Design Patent**
Patton

(10) **Patent No.:** **US D458,776 S**

(45) **Date of Patent:** **** Jun. 18, 2002**

(54) **CHAIR BASE**

D354,631 S 1/1995 Orlandini et al. D6/366
D434,575 S 12/2000 Deacon D6/366

(75) Inventor: **Arthur A. Patton**, Waterloo (CA)

Primary Examiner—Gary D. Watson

(73) Assignee: **Northfield Metal Products Limited**,
Waterloo (CA)

(74) *Attorney, Agent, or Firm*—Shook, Hardy & Bacon
L.L.P.

(**) Term: **14 Years**

(57) **CLAIM**

(21) Appl. No.: **29/137,223**

The ornamental design for a chair base, as shown and
described.

(22) Filed: **Feb. 15, 2001**

DESCRIPTION

(51) **LOC (7) Cl.** **06-06**

(52) **U.S. Cl.** **D6/498**; D6/366

(58) **Field of Search** D6/364, 365, 366,
D6/367, 498, 500, 501, 502; 248/188, 188.1,
188.7, 188.8, 188.9; 297/411.2

FIG. 1 is a top perspective view of the chair base;
FIG. 2 is an underneath perspective view of the chair base
of FIG. 1;

FIG. 3 is a top view of the chair base of FIG. 1;

FIG. 4 is a bottom view of the chair base of FIG. 1;

FIG. 5 is a front view of the chair base of FIG. 1;

FIG. 6 is a rear view of the chair base of FIG. 1; and,

FIG. 7 is right side view of the chair base of FIG. 1.

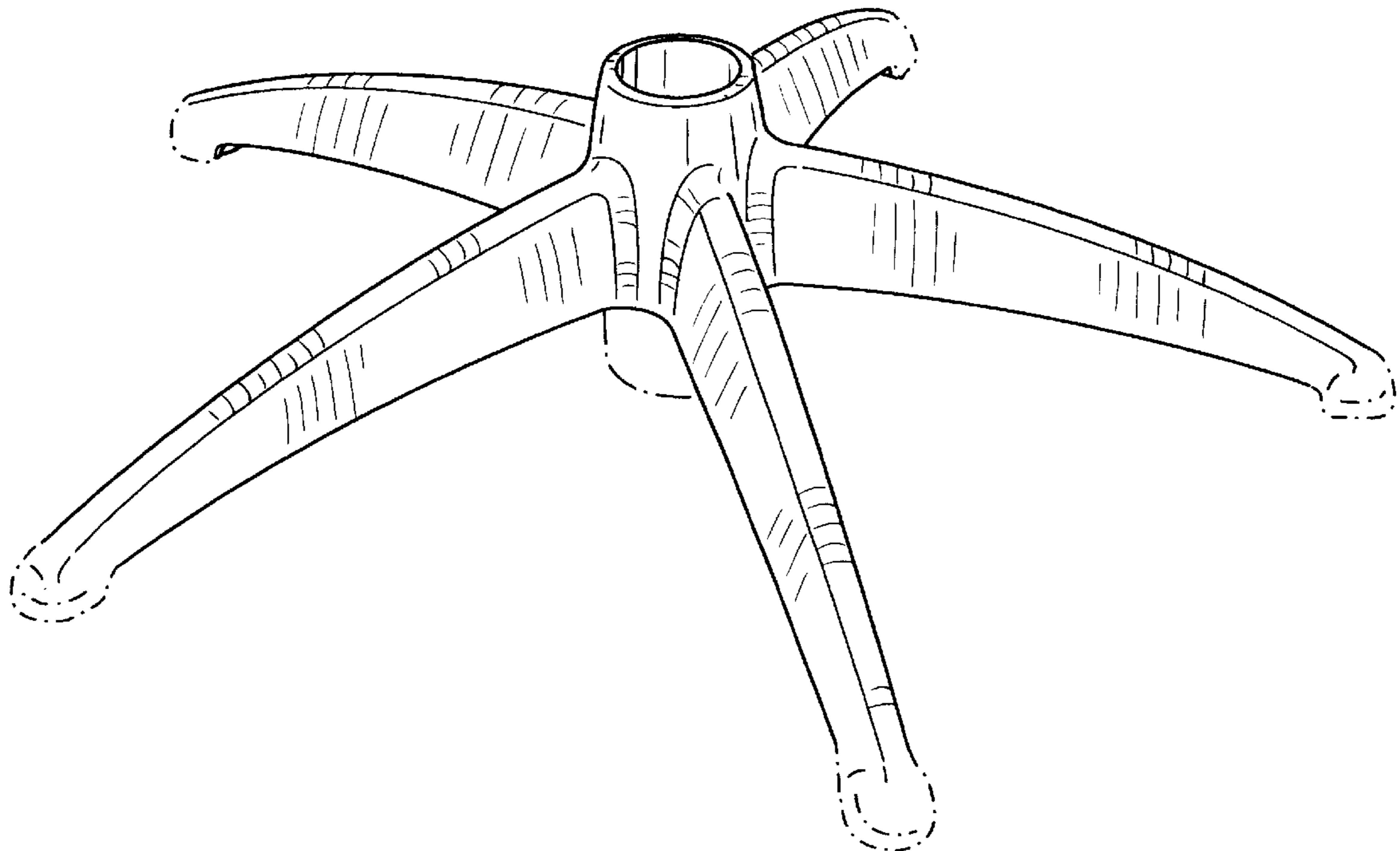
The portions shown in broken line are not part of the design
as claimed.

(56) **References Cited**

U.S. PATENT DOCUMENTS

D206,000 S 10/1966 Moore et al. D6/366
D240,375 S 7/1976 Buhk D6/366
D280,682 S 9/1985 Lange D6/366

1 Claim, 5 Drawing Sheets



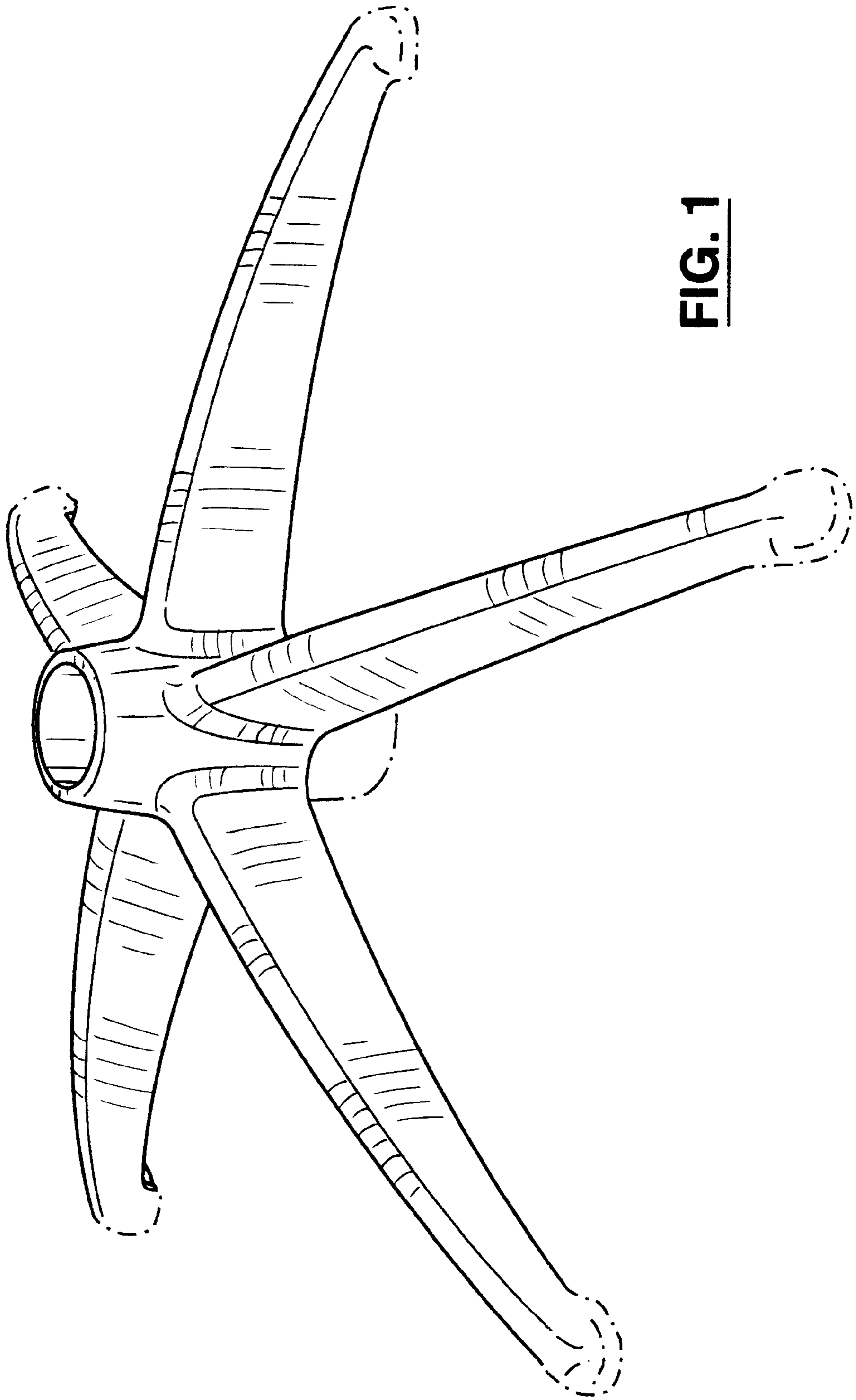


FIG. 1

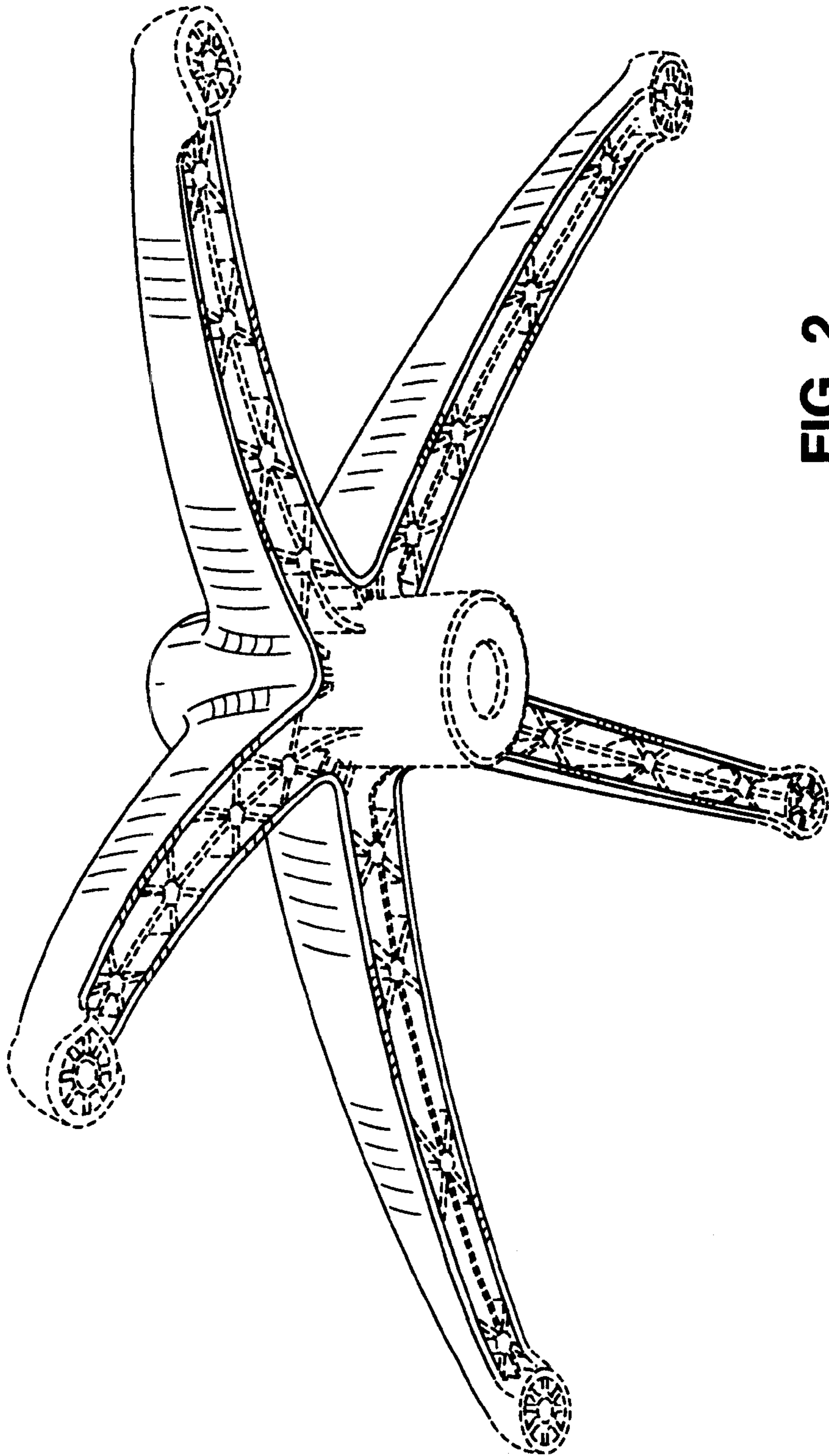


FIG. 2

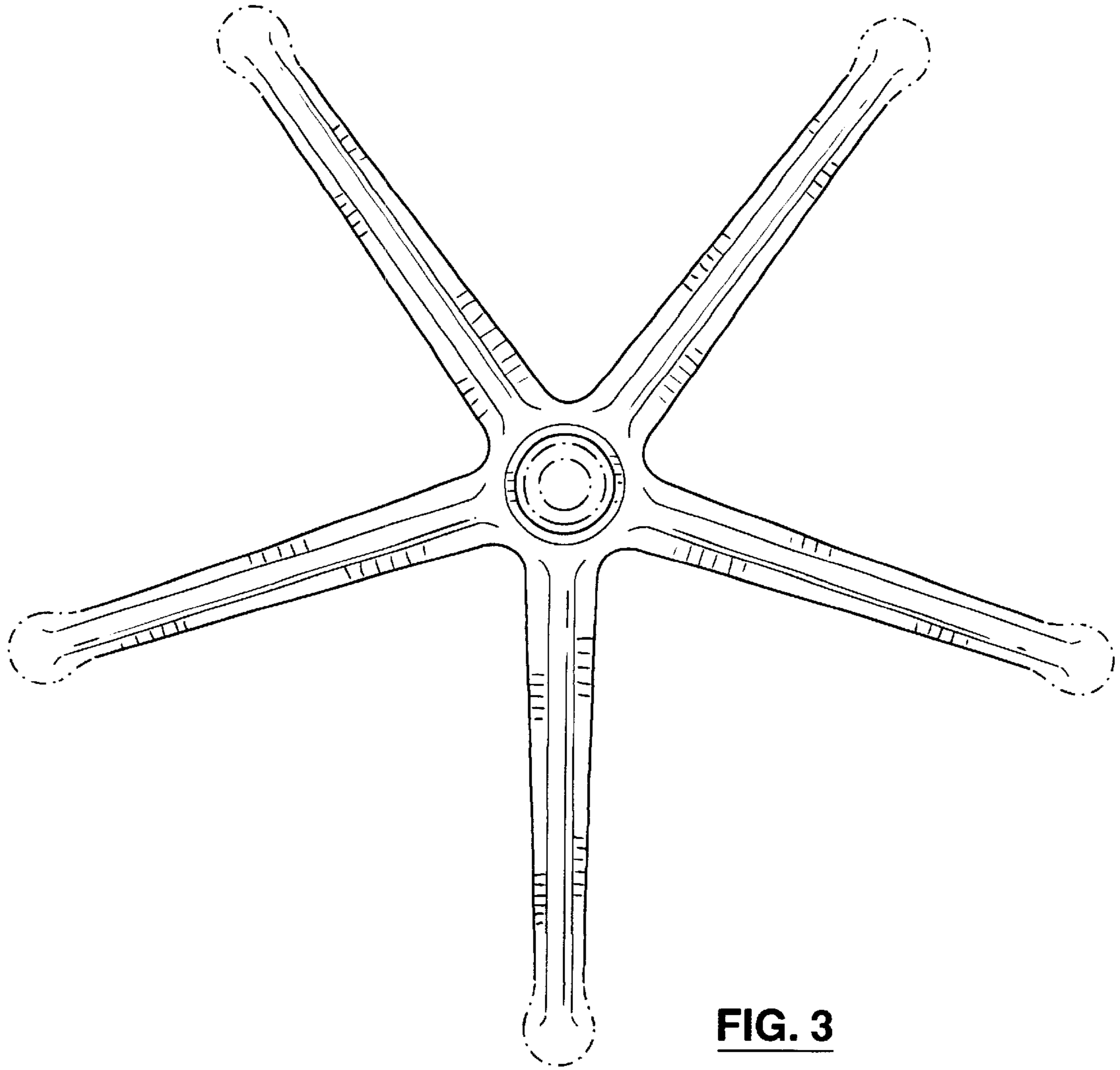


FIG. 3

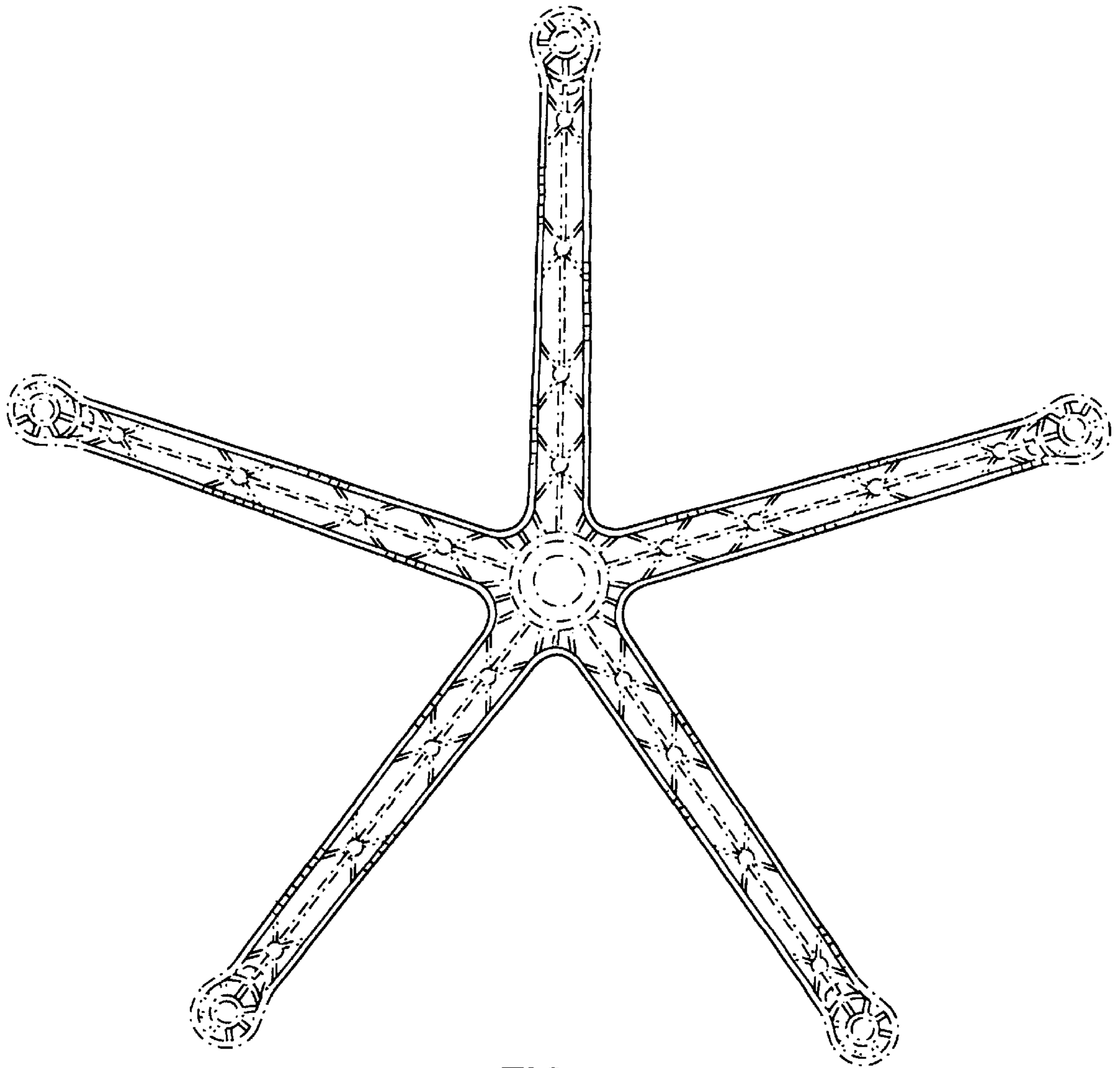


FIG. 4

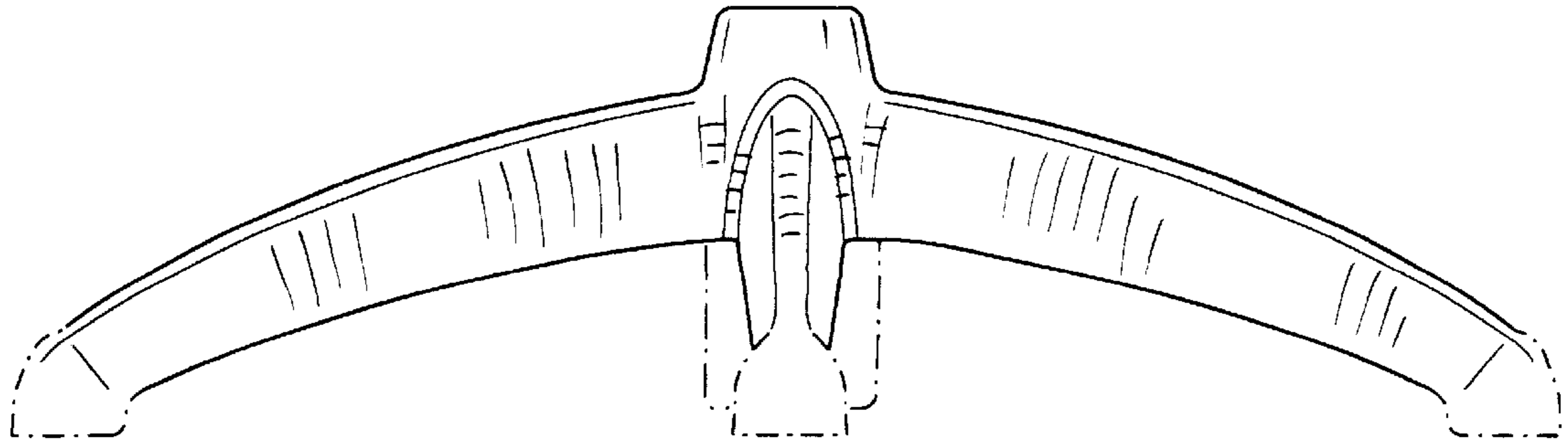


FIG. 5

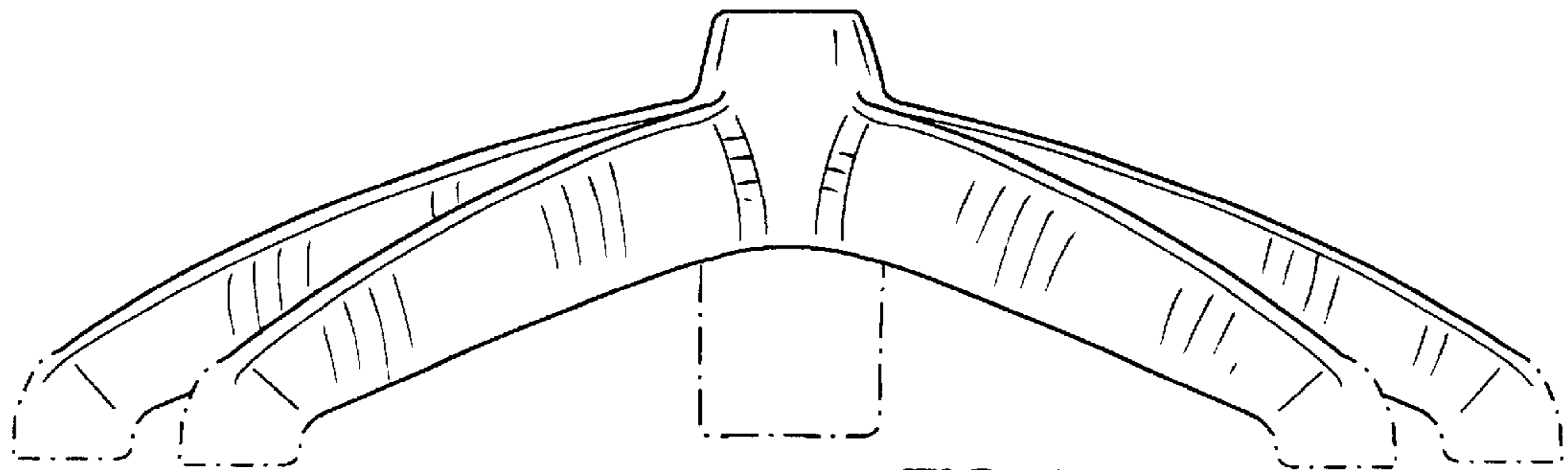


FIG. 6

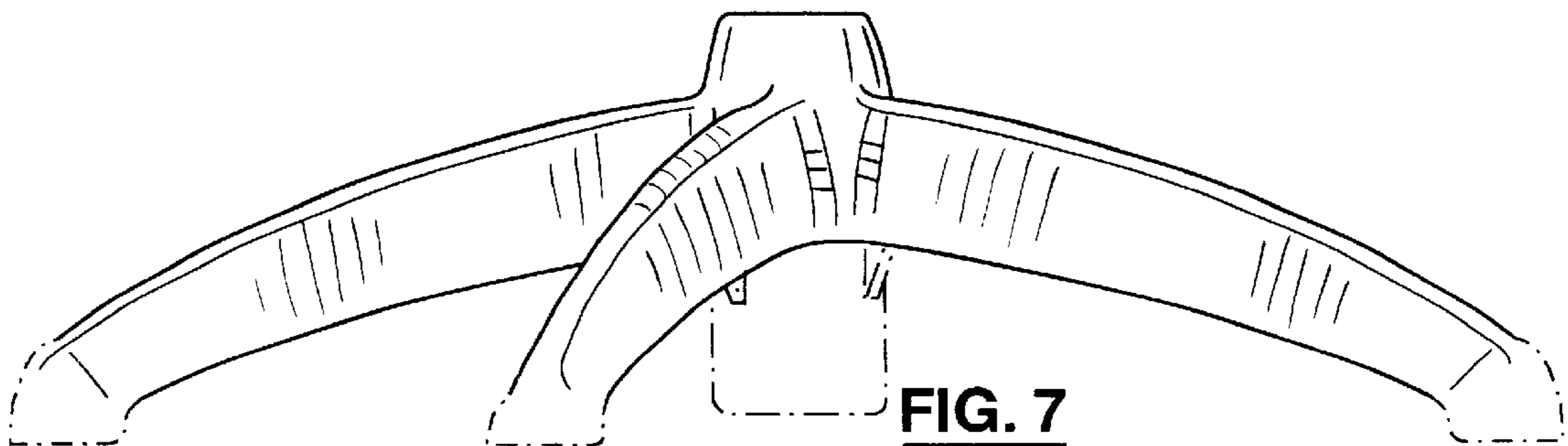


FIG. 7

UNITED STATES PATENT AND TRADEMARK OFFICE
Certificate

Patent No. D458,776 S

Patented: June 18, 2002

On petition requesting issuance of a certificate for correction of inventorship pursuant to 35 U.S.C. 256, it has been found that the above identified patent, through error and without any deceptive intent, improperly sets forth the inventorship.

Accordingly, it is hereby certified that the correct inventorship of this patent is: Arthur A. Patton, Waterloo (CA); and James Herbert Sulzer, Grafton, WI (US).

Signed and Sealed this Third Day of February 2009.

Caron D. Veynar
Supervisory Patent Examiner
Art Unit 2913