



US00D458775S

(12) **United States Design Patent**
Desnoyers

(10) **Patent No.:** **US D458,775 S**

(45) **Date of Patent:** **** Jun. 18, 2002**

(54) **ROCKING CHAIR**

(75) Inventor: **Charles Desnoyers**, St-Pie de Bagot
(CA)

(73) Assignee: **Dutailier International Inc.**, Quebec
(CA)

(**) Term: **14 Years**

(21) Appl. No.: **29/139,013**

(22) Filed: **Mar. 22, 2001**

(30) **Foreign Application Priority Data**

Sep. 22, 2000 (CA) 2000-2541

(51) **LOC (7) Cl.** **06-06**

(52) **U.S. Cl.** **D6/492; D6/344**

(58) **Field of Search** D6/334, 335, 336,
D6/344, 347, 348, 370-373, 379, 381, 492,
495, 500-502; 297/273, 281, 282, 411.42,
411.45

(56) **References Cited**

U.S. PATENT DOCUMENTS

D50,875 S 6/1917 McCormick D6/348
D77,322 S 12/1928 Lehman D6/348

D328,983 S	9/1992	Fong	D6/369
D353,267 S	12/1994	Desnoyers	D6/344
D362,969 S	10/1995	Desnoyers	D6/344
D370,570 S	6/1996	Green, Jr. et al.	D6/370
D373,684 S	9/1996	Desnoyers	D6/344
D401,425 S	11/1998	Desnoyers	D6/344
D425,339 S	5/2000	Schlichter et al.	D6/492
D426,407 S	6/2000	Schlichter et al.	D6/492

Primary Examiner—Doris V. Coles

Assistant Examiner—Mimosa De

(74) *Attorney, Agent, or Firm*—Ladas & Parry

(57) **CLAIM**

I claim the ornamental design for a rocking chair, as shown and described.

DESCRIPTION

FIG. 1 is a side perspective view of a rocking chair according to the present design;

FIG. 2 is a front view of the rocking chair of FIG. 1;

FIG. 3 is a left side view of the rocking chair of FIG. 1;

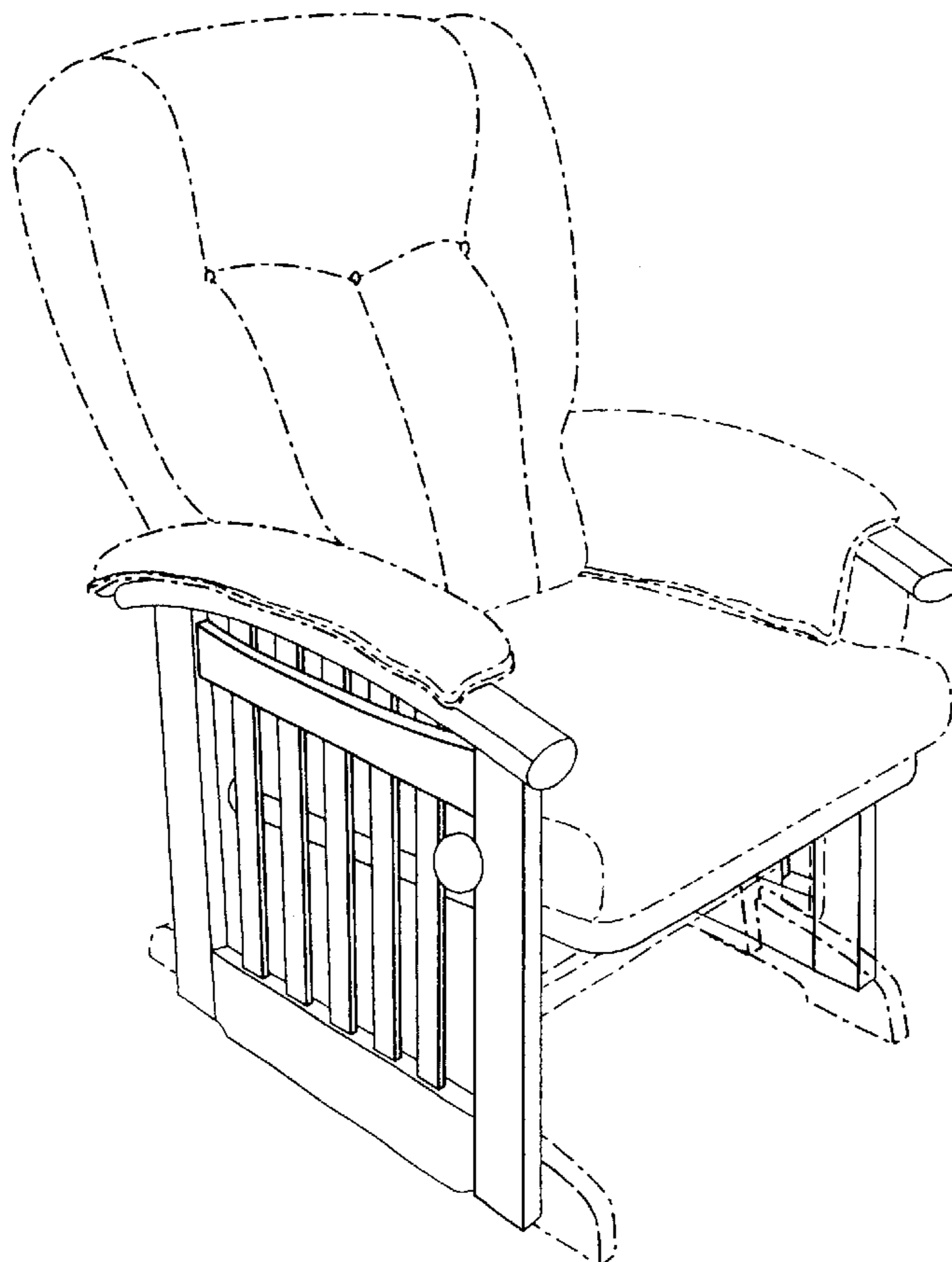
FIG. 4 is a top plan view of the rocking chair of FIG. 1;

FIG. 5 is a rear view of the rocking chair of FIG. 1; and,

FIG. 6 is a right side view of the rocking chair of FIG. 1.

The broken lines in the figures are for illustrative purposes only and form no part of the claimed design.

1 Claim, 3 Drawing Sheets



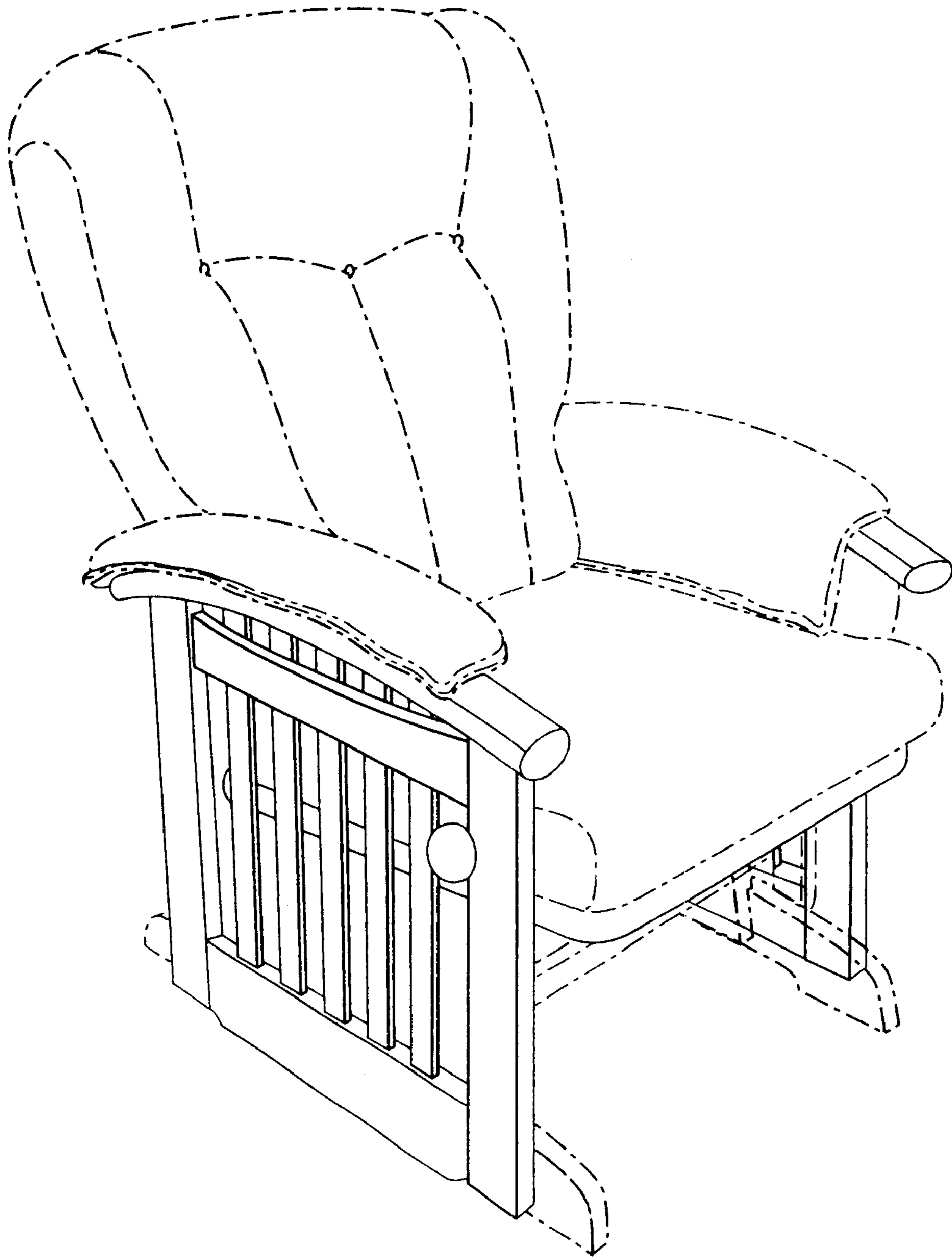


Fig-1

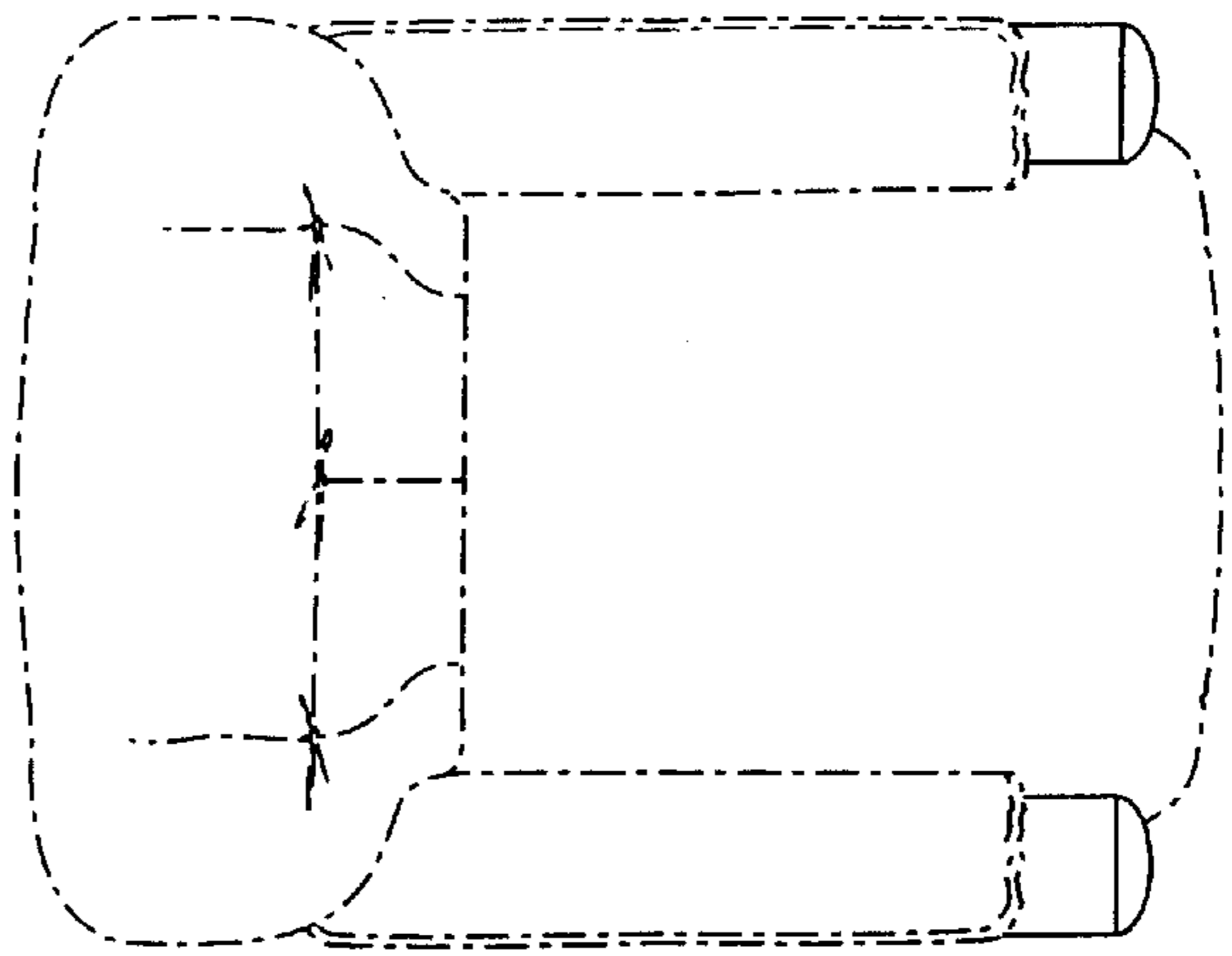


Fig-4

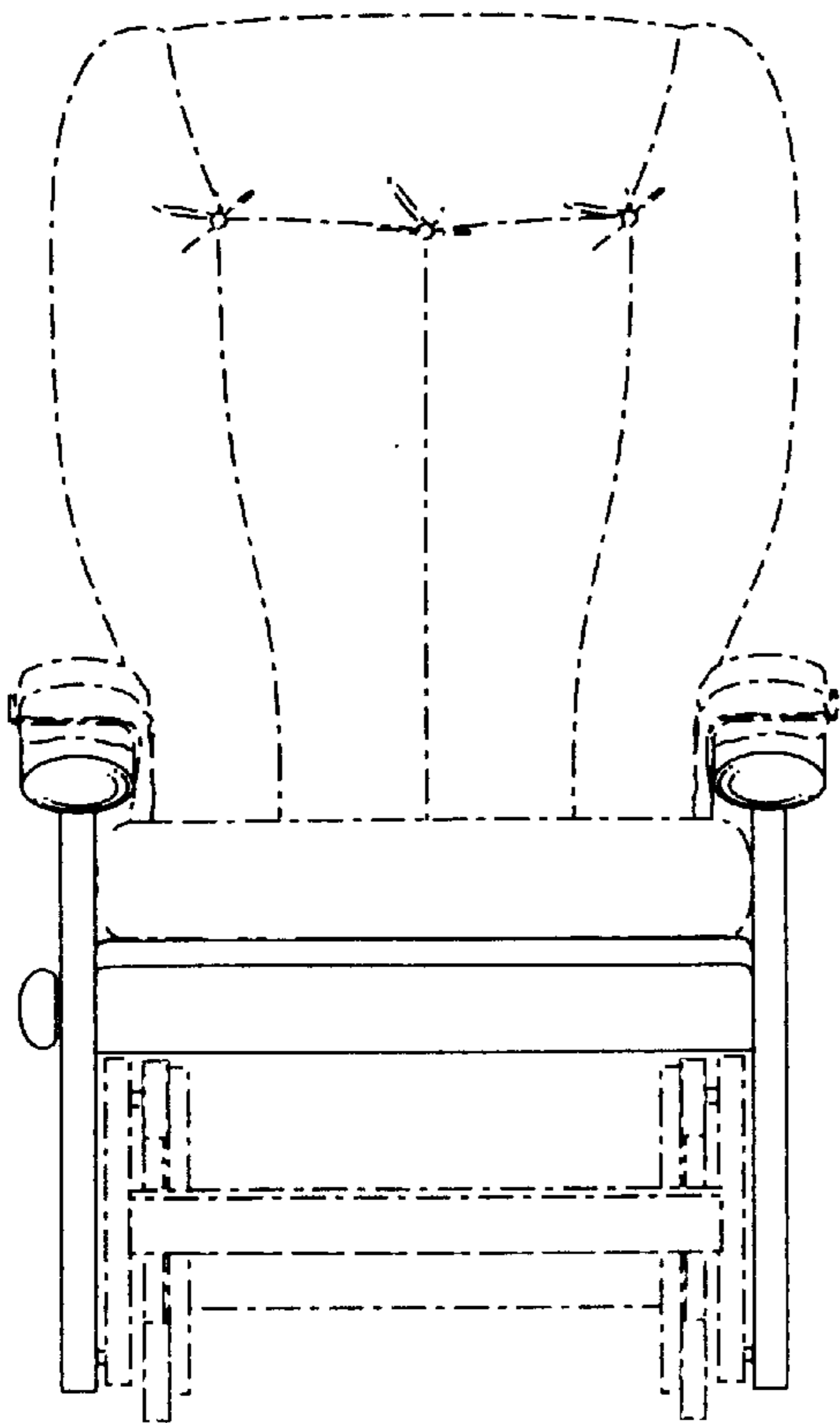


Fig-2

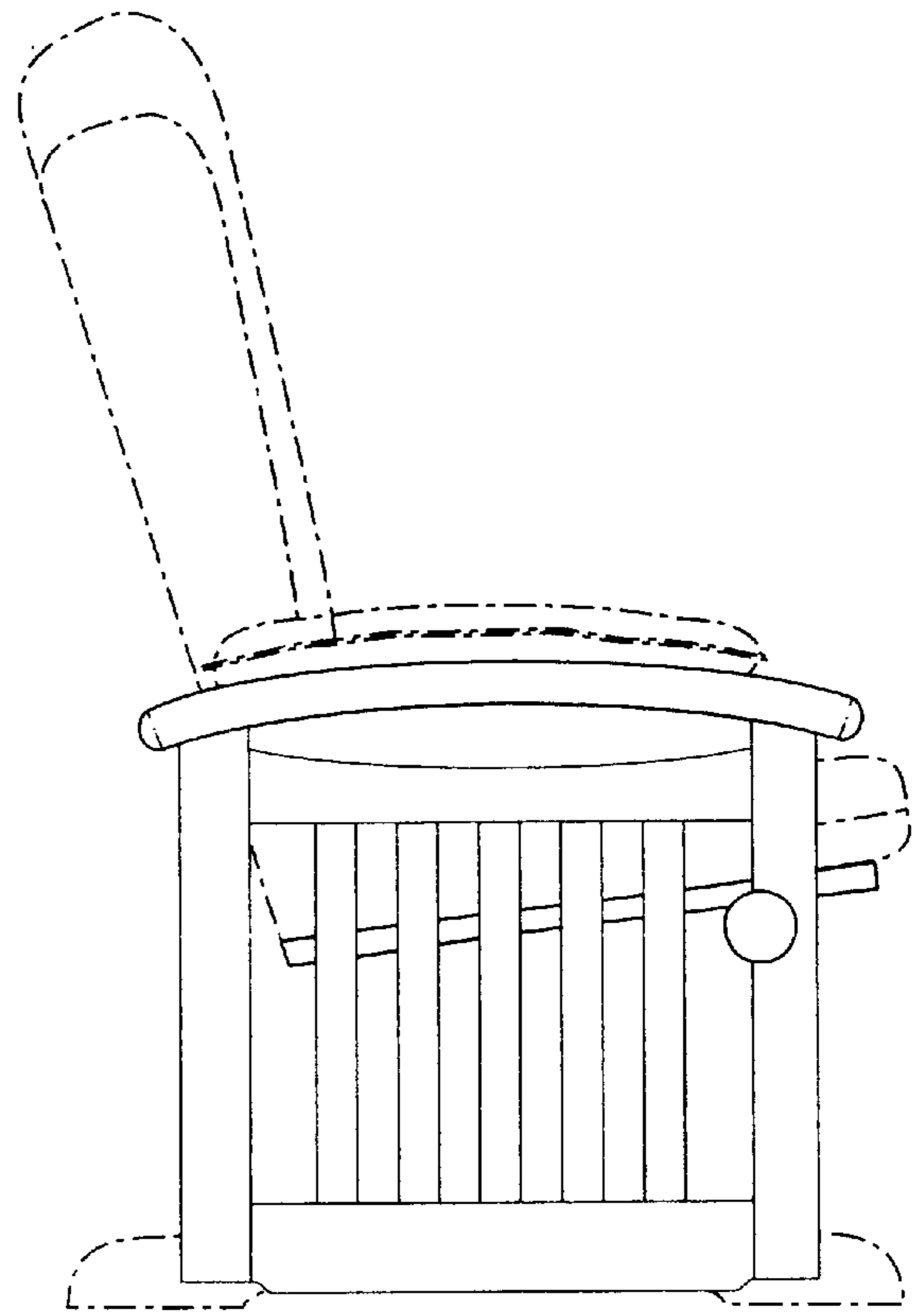


Fig-3

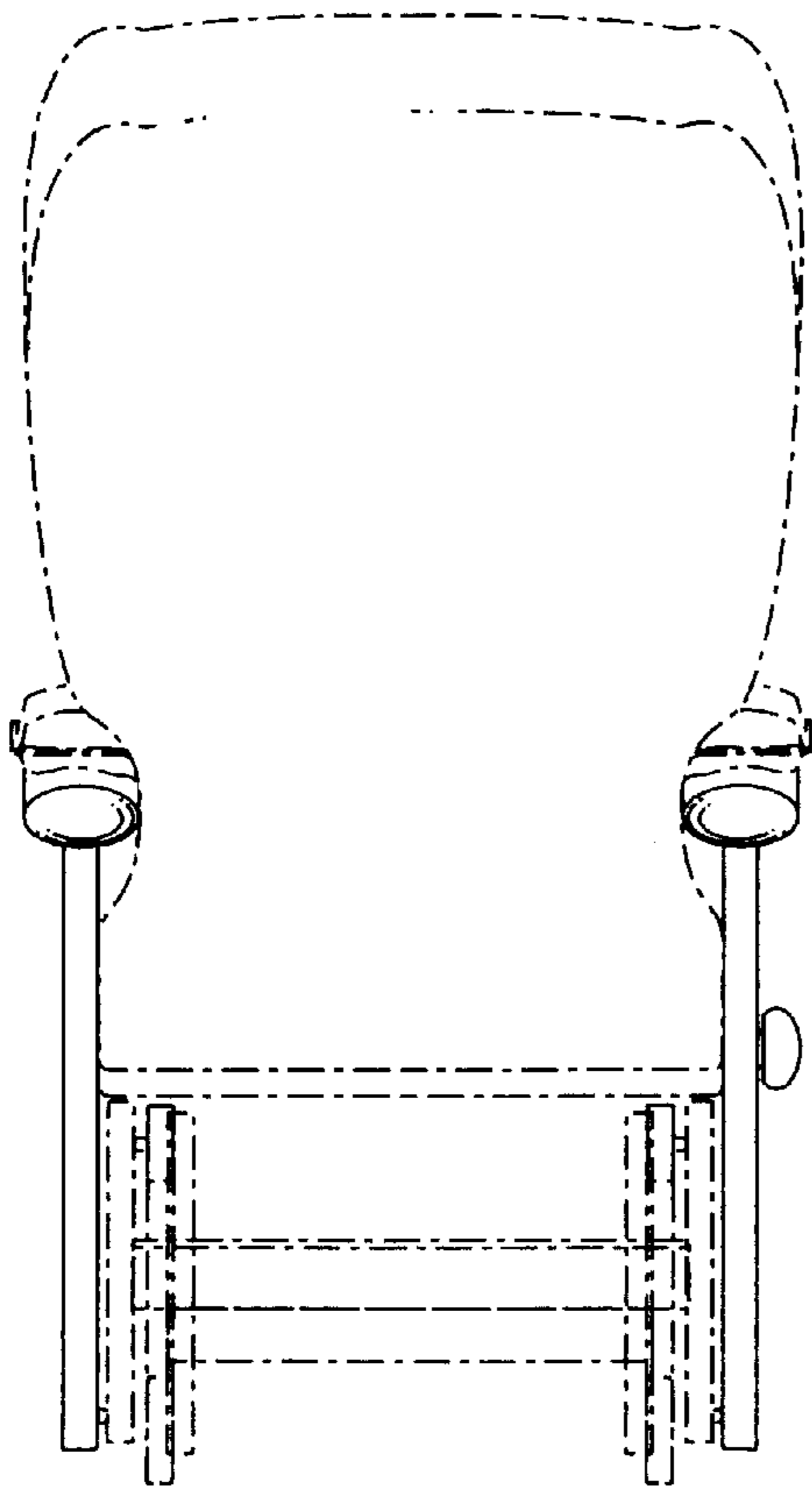


Fig-5

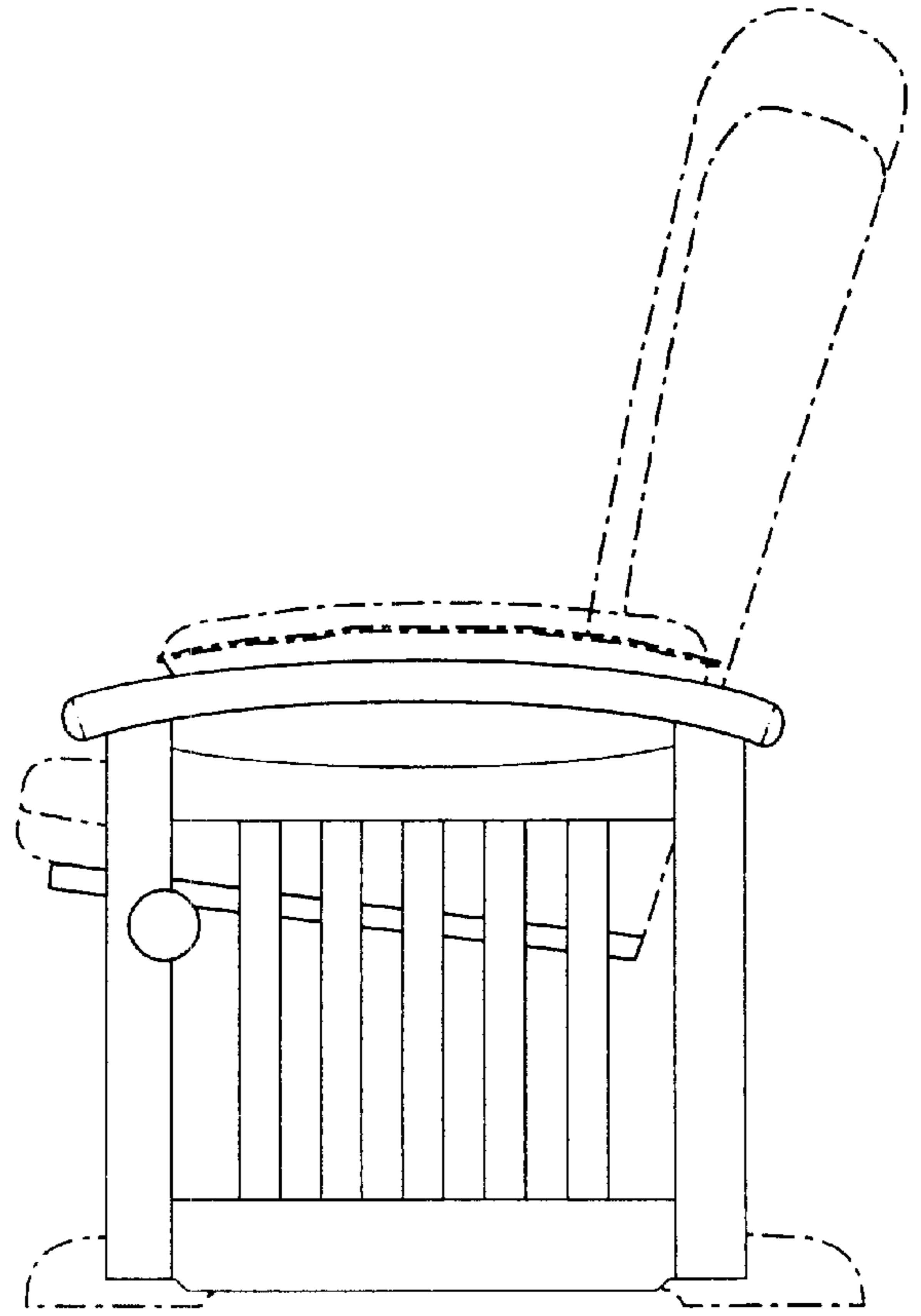


Fig-6