



US00D458774S

(12) **United States Design Patent**
Chao

(10) **Patent No.:** **US D458,774 S**

(45) **Date of Patent:** **** Jun. 18, 2002**

(54) **WATER PISTOL RACK**

(76) Inventor: **Hui-Chen Chao**, 75, Liao Tsuo Hsiang,
Liao Tsuo Li, Lu Kang Chen, Chang
Hua Hsien (TW)

(**) Term: **14 Years**

(21) Appl. No.: **29/136,444**

(22) Filed: **Feb. 1, 2001**

(51) **LOC (7) Cl.** **06-04**

(52) **U.S. Cl.** **D6/469**

(58) **Field of Search** D6/396, 413, 416,
D6/449, 466, 467, 475, 476, 469; D23/403,
407; 211/60.1, 62; 248/75, 79, 80, 89

(56) **References Cited**

U.S. PATENT DOCUMENTS

D233,086 S * 10/1974 Gismondi D6/416

5,617,960 A * 4/1997 Bishop 211/60.1

* cited by examiner

Primary Examiner—Cathron C. Brooks

(74) *Attorney, Agent, or Firm*—Harrison & Egbert

(57) **CLAIM**

I claim the ornamental design for a water pistol rack, as shown and described.

DESCRIPTION

FIG. 1 is an upper perspective view of the water pistol rack showing my design.

FIG. 2 is a front view thereof;

FIG. 3 is a back view thereof;

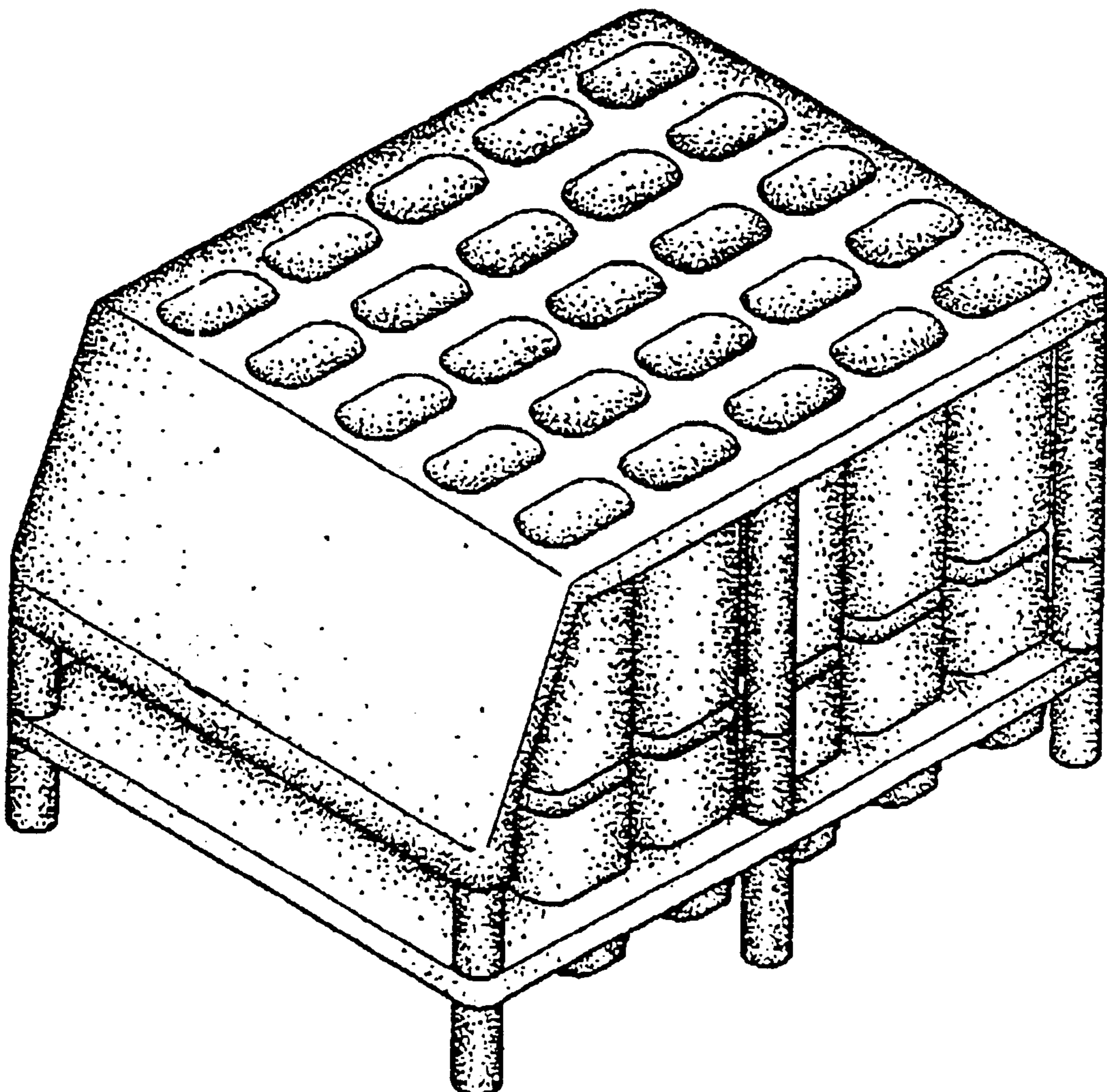
FIG. 4 is a side view thereof;

FIG. 5 is an opposite side view thereof;

FIG. 6 is a top view thereof; and,

FIG. 7 is a bottom view thereof.

1 Claim, 4 Drawing Sheets



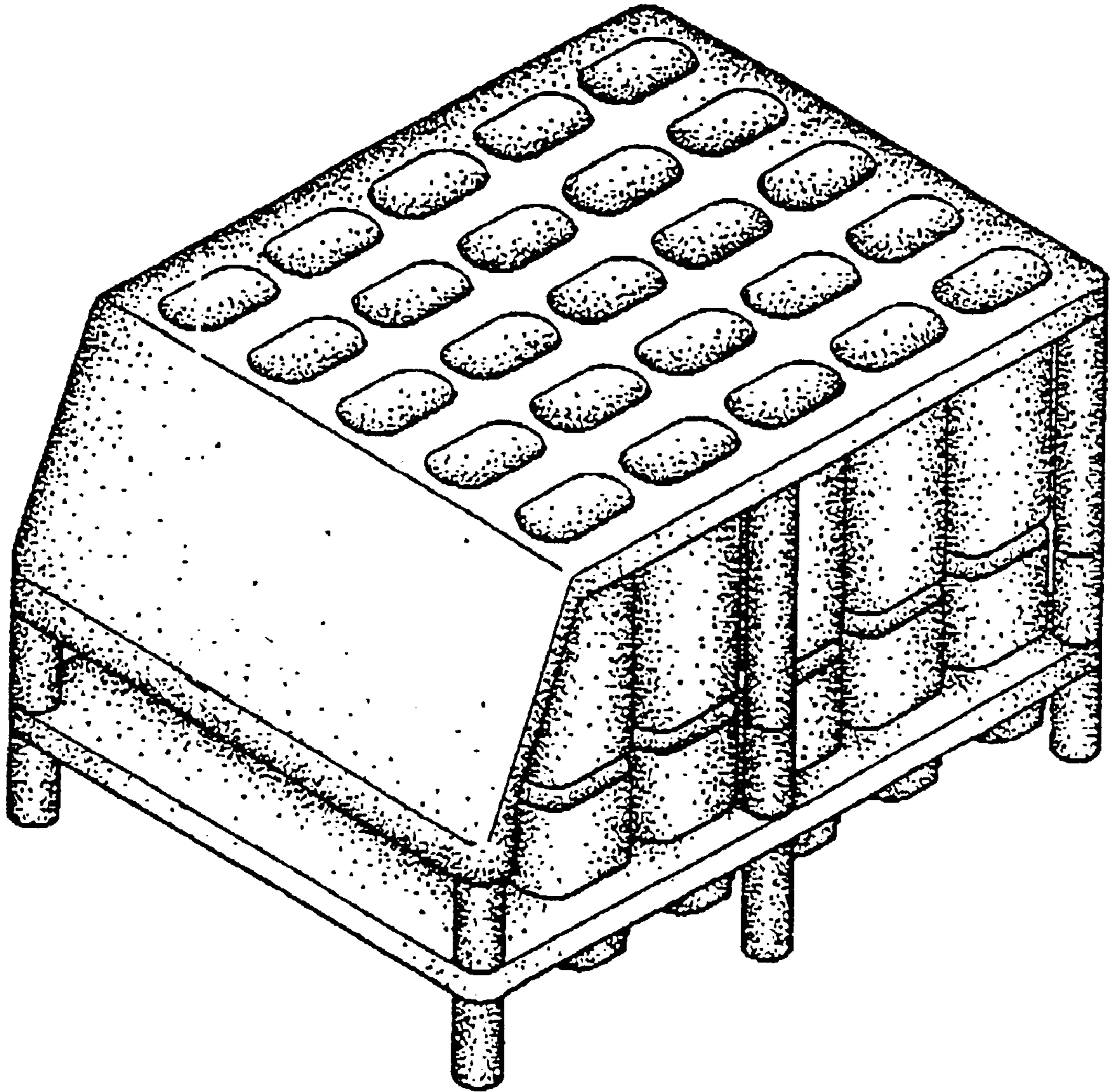


FIG. 1

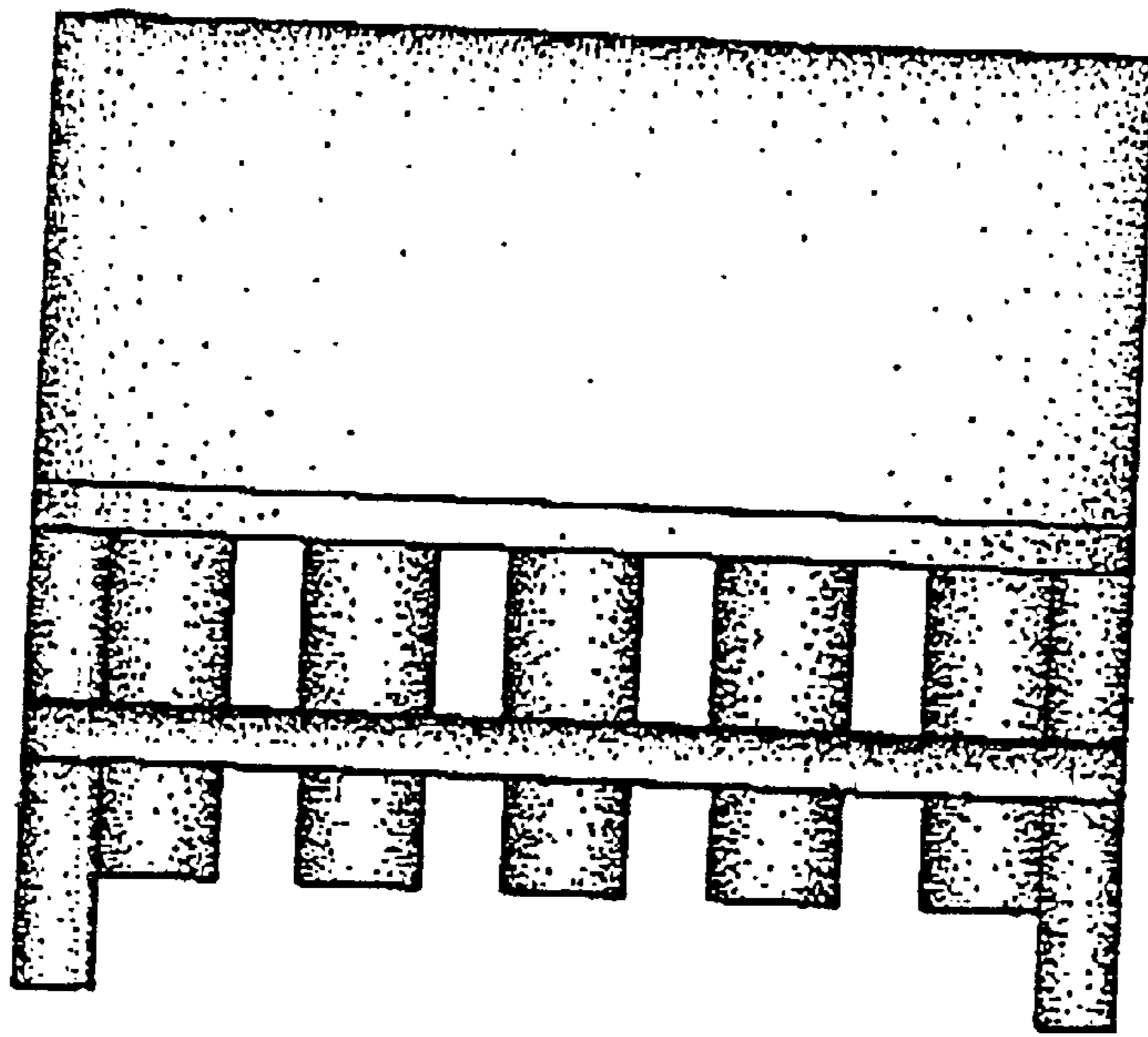


FIG. 2

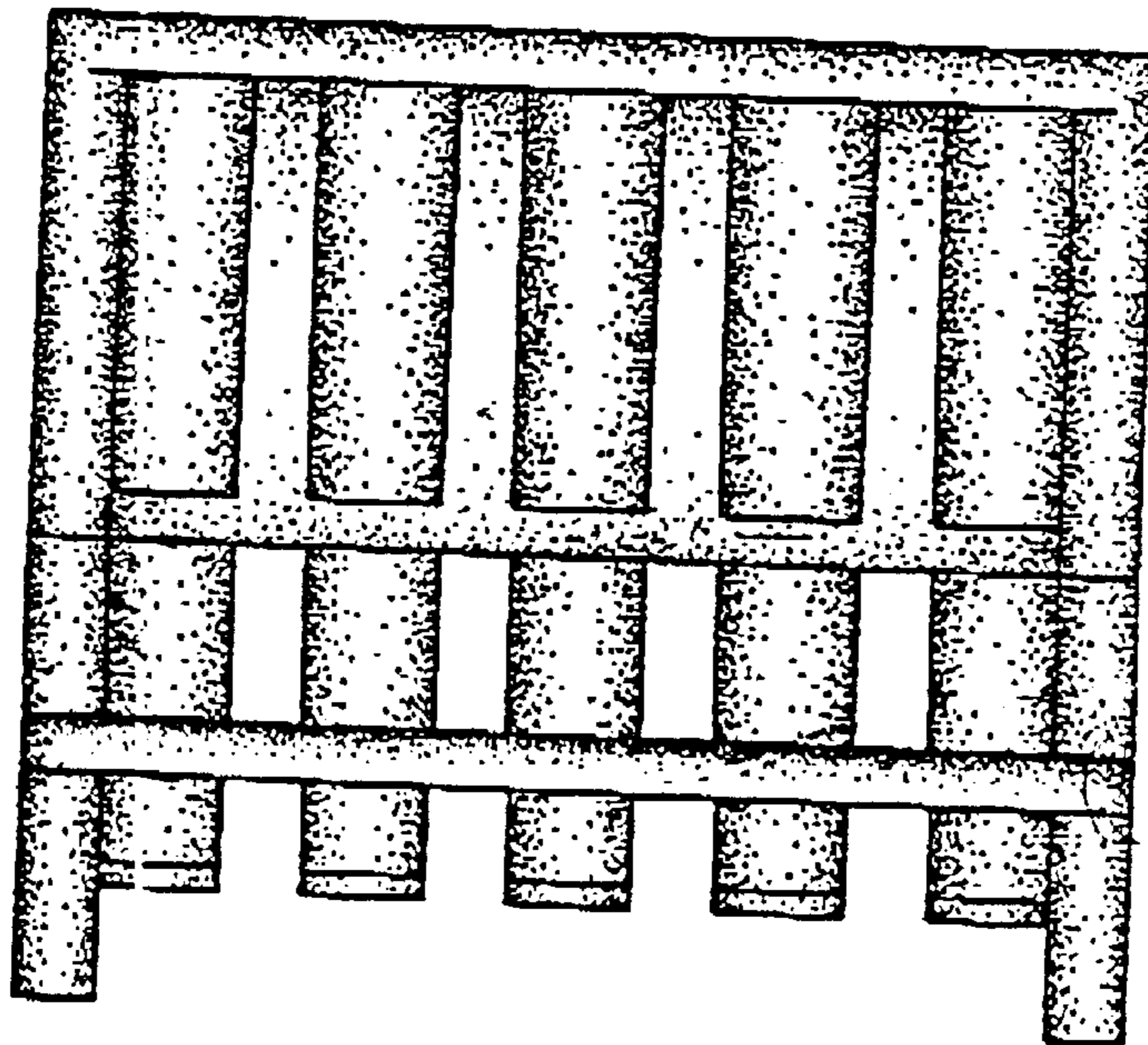


FIG. 3

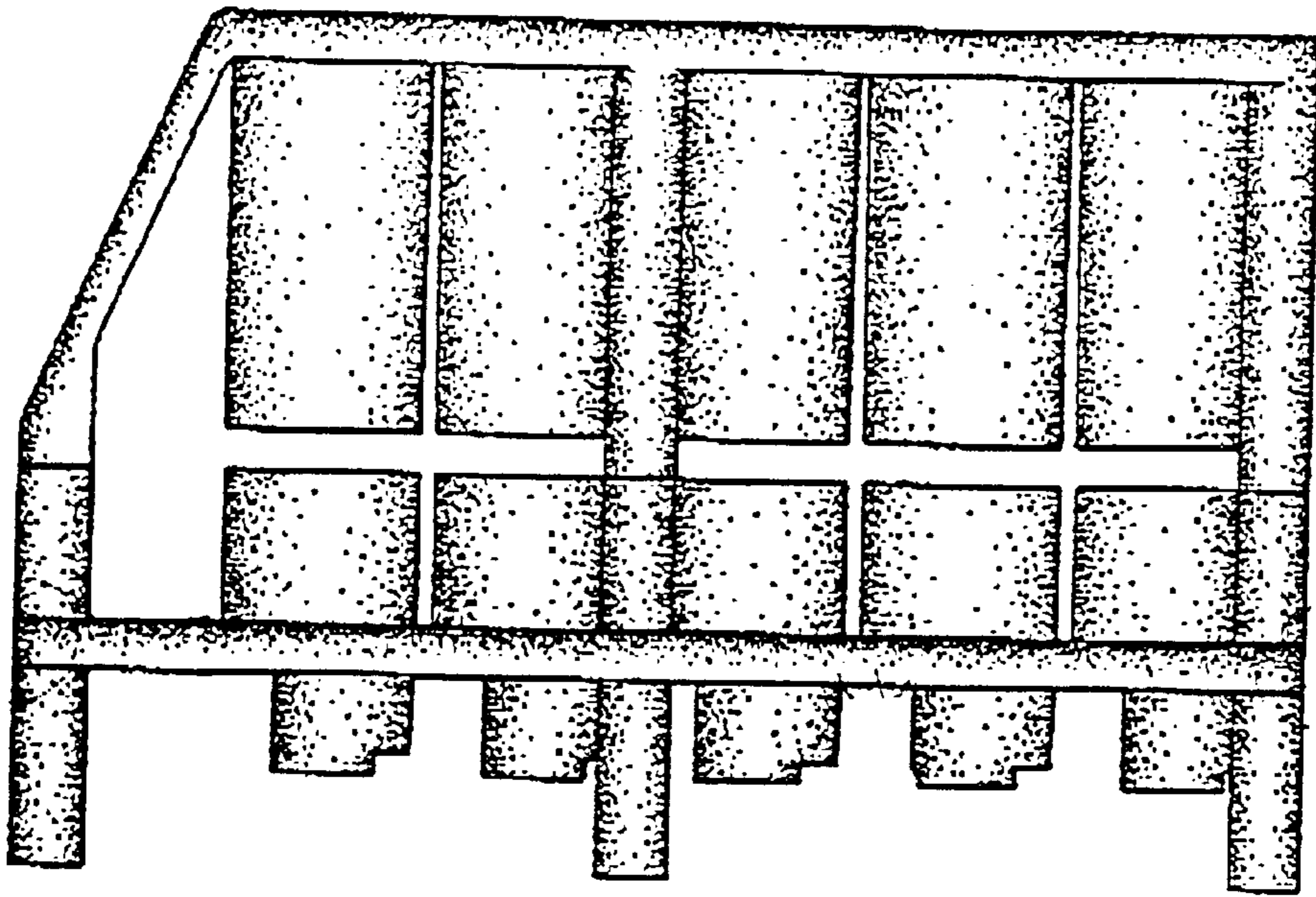


FIG. 4

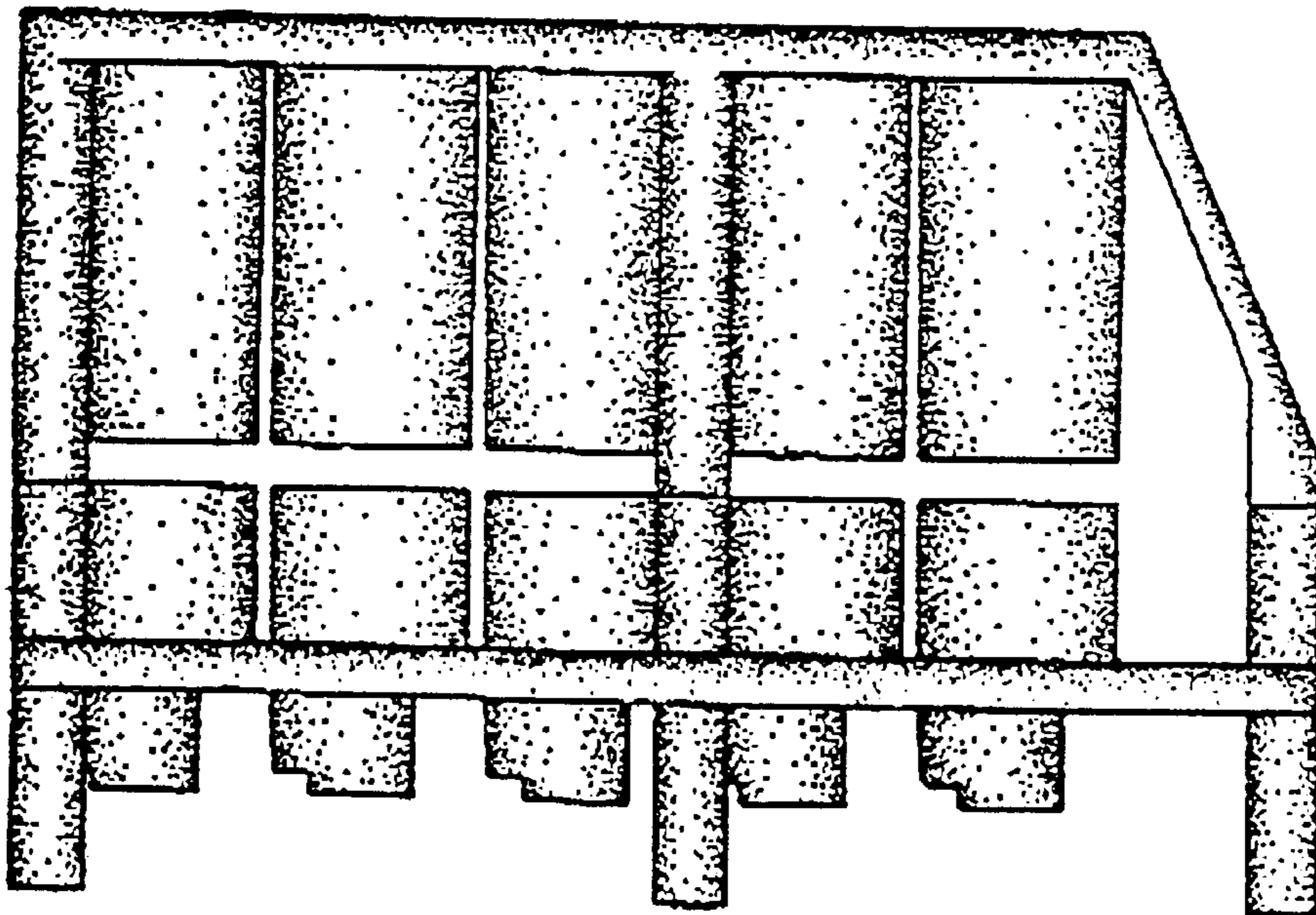


FIG. 5

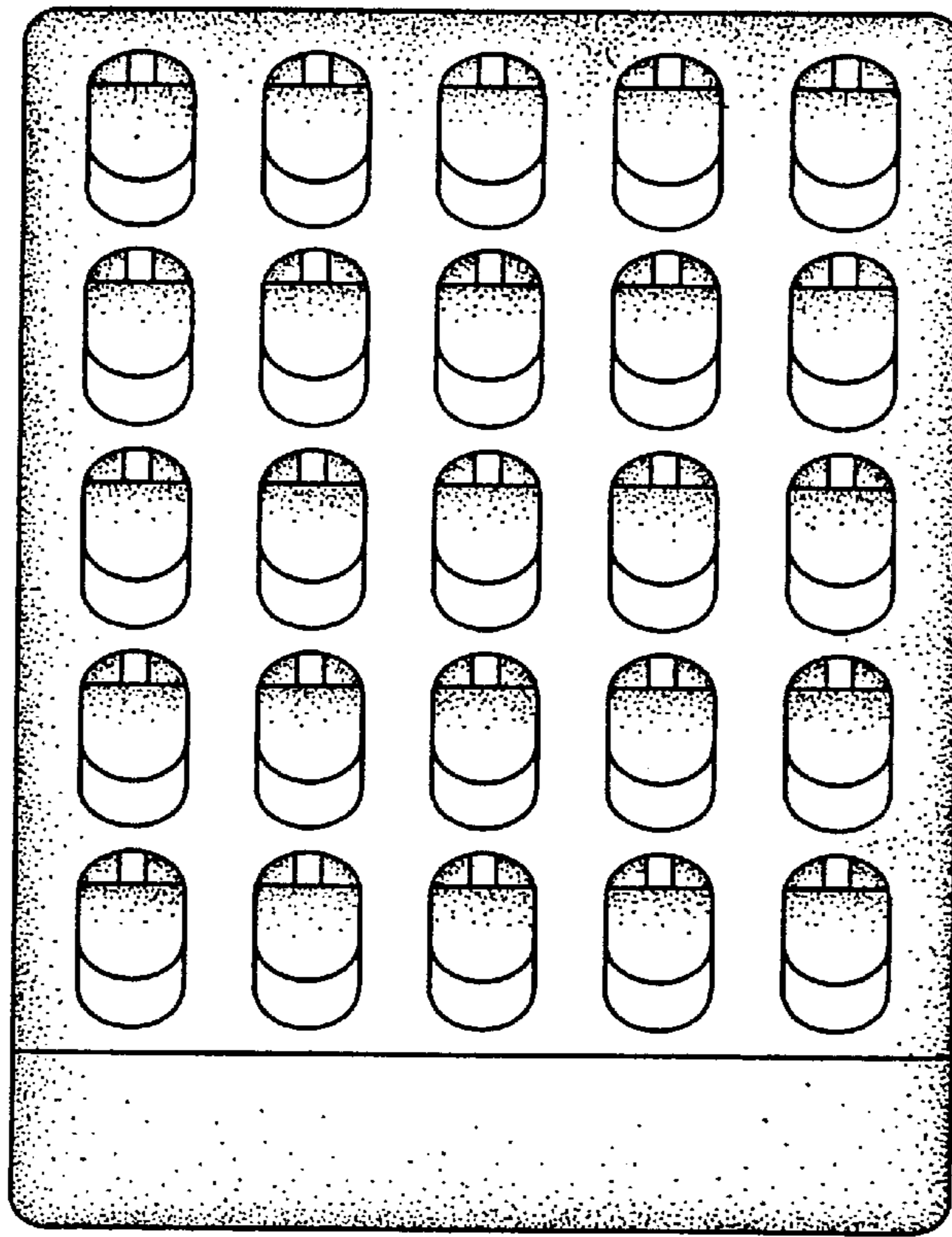


FIG. 6

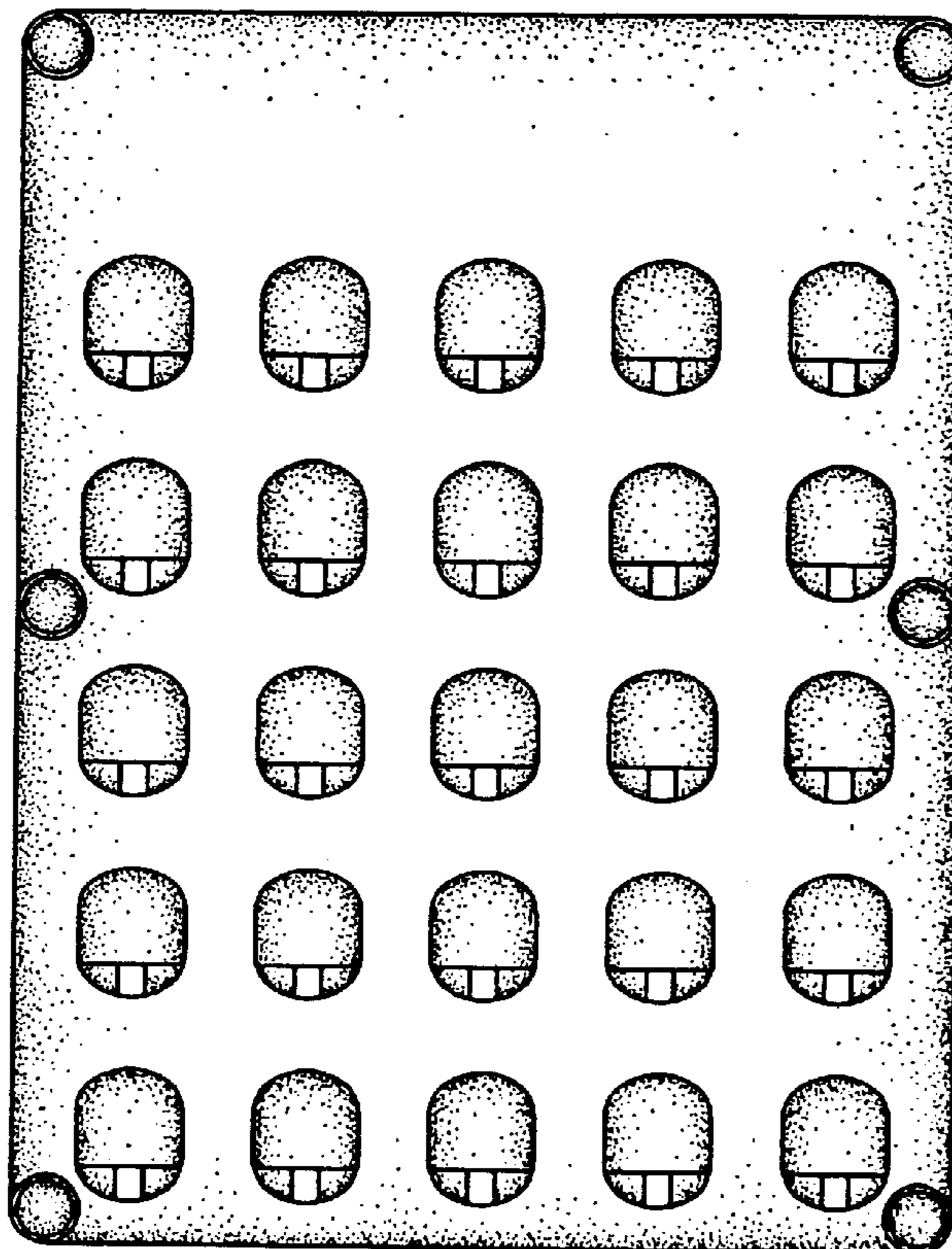


FIG. 7