



US00D458772S

(12) **United States Design Patent**
Klein et al.

(10) **Patent No.:** **US D458,772 S**
(45) **Date of Patent:** **** Jun. 18, 2002**

(54) **SELF STANDING DOUBLE TIER SHOE RACK**
(75) Inventors: **Richard B. Klein**, Overland Park; **John W. Scott**, Lenexa; **Chris Serslev**, Leawood, all of KS (US)

(73) Assignee: **Lynk, Inc.**, Lenexa, KS (US)

(**) Term: **14 Years**

(21) Appl. No.: **29/148,919**

(22) Filed: **Sep. 28, 2001**

(51) **LOC (7) Cl.** **06-04**

(52) **U.S. Cl.** **D6/462**

(58) **Field of Search** D6/407, 629, 630, D6/449, 465, 477, 478, 479, 552, 462; 108/1, 3, 59, 60, 93, 94, 96, 147.11, 147.17, 150; 211/85.3, 34, 36, 42, 50, 70, 90.01, 90.04, 115, 144, 163; 312/9.1, 9.47, 9.48, 9.52, 9.53, 9.54

(56) **References Cited**

U.S. PATENT DOCUMENTS

953,130 A	3/1910	Fellows
1,450,948 A	1/1923	Glidden
1,703,190 A	2/1929	Glidden
1,733,487 A	10/1929	Hackley
D85,502 S	11/1931	Wilhelm
2,090,108 A	8/1937	Cicero
2,152,192 A	3/1939	Hoffman
2,276,141 A	3/1942	Atkinson
D139,415 S	11/1944	Brown
3,695,190 A	10/1972	Bucholz

3,762,573 A	*	10/1973	Collins et al.	211/34
3,888,353 A		6/1975	Leifheit		
5,035,332 A		7/1991	Stravitz		
5,172,816 A		12/1992	Kline et al.		
D341,500 S		11/1993	Klein et al.		
5,415,297 A		5/1995	Klein et al.		
5,617,959 A	*	4/1997	Klein et al.	211/37
D398,787 S		9/1998	Malik		
D403,880 S		1/1999	Malik		
5,992,647 A	*	11/1999	Malik	211/34
D426,977 S	*	6/2000	White	D6/407
D431,954 S	*	10/2000	White	D6/630
D450,199 S	*	11/2001	White	D6/407

* cited by examiner

Primary Examiner—Cathron C. Brooks

(74) *Attorney, Agent, or Firm*—Shook, Hardy & Bacon L.L.P.

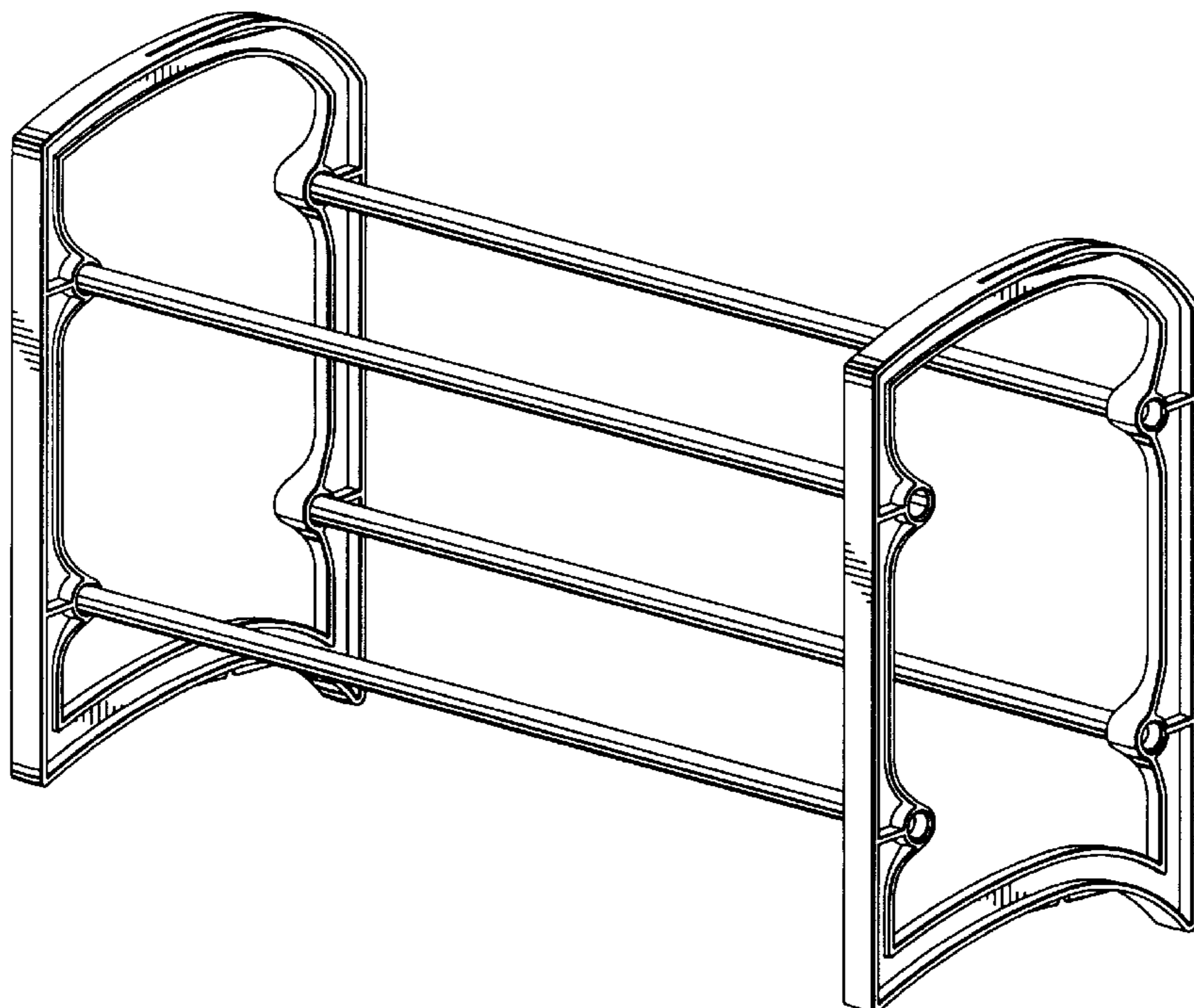
(57) **CLAIM**

The ornamental design for a self standing double tier shoe rack, as shown and described.

DESCRIPTION

FIG. 1 is a perspective view of a self standing double tier shoe rack showing my new design; FIG. 2 is a front elevational view thereof; FIG. 3 is a side elevational view thereof taken from the right side, the opposite side appearing as substantially a mirror image thereof; FIG. 4 is a rear elevational view thereof; FIG. 5 is a top plan view thereof; and, FIG. 6 is a bottom plan view thereof.

1 Claim, 2 Drawing Sheets



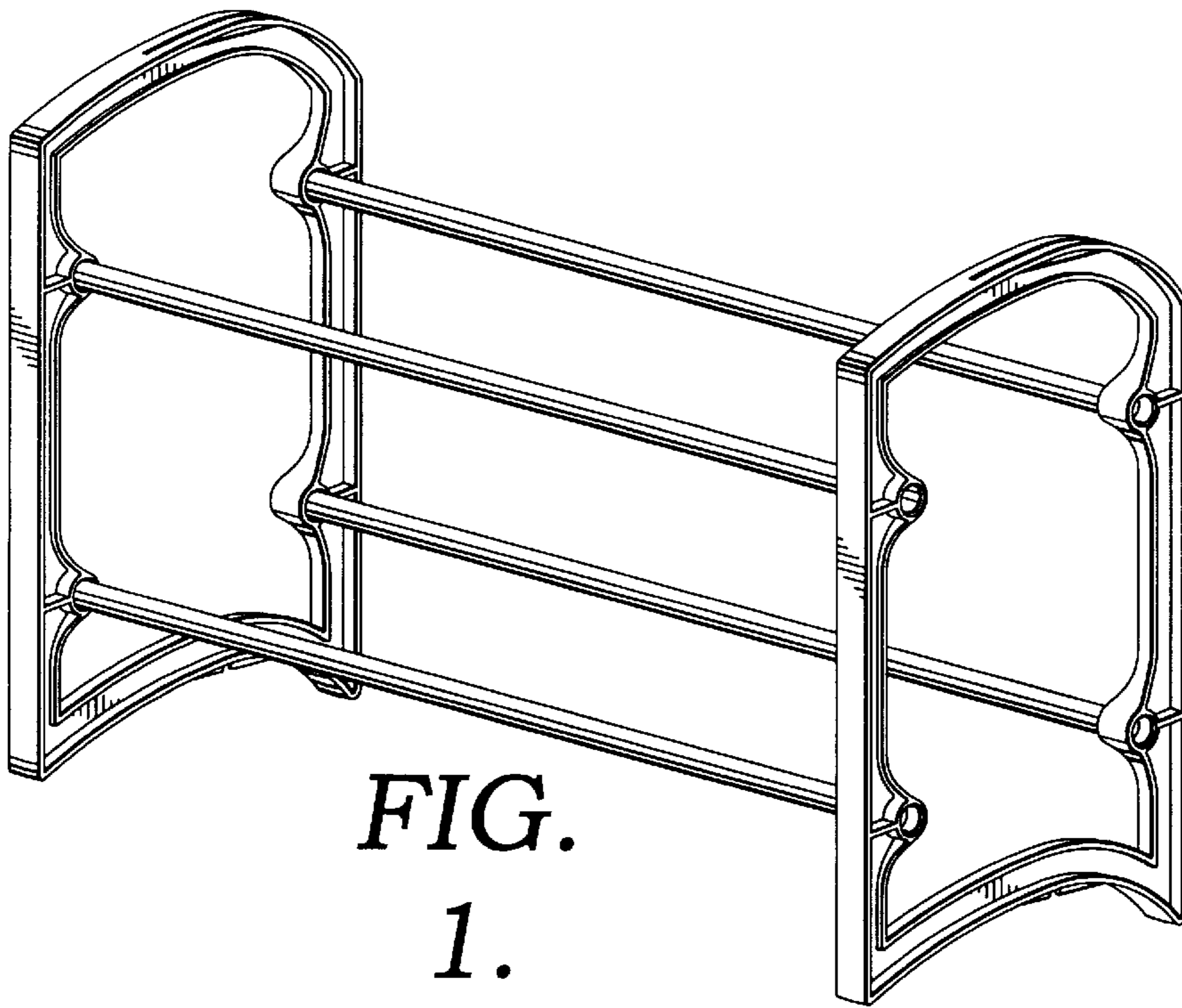


FIG.
1.

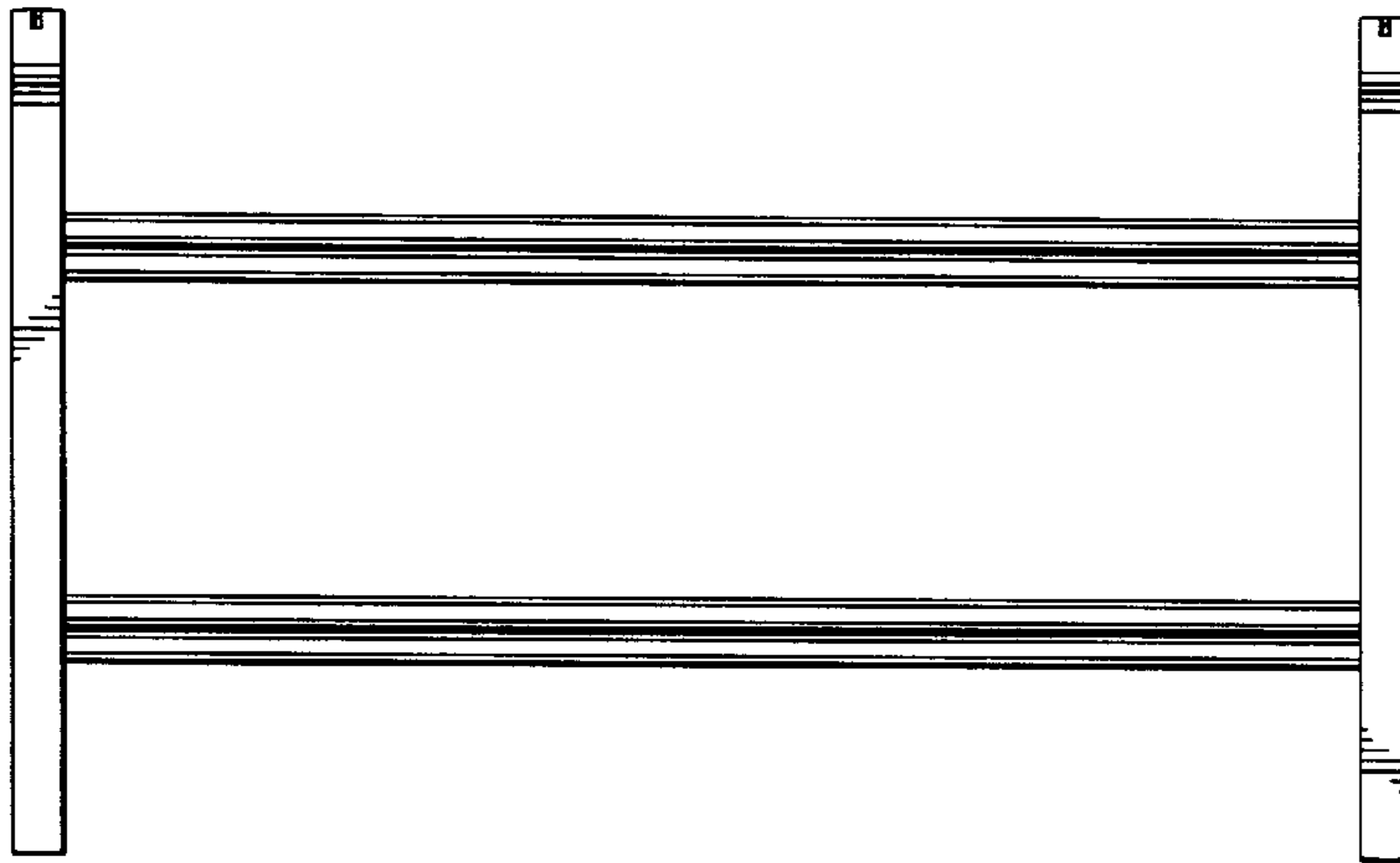


FIG.
2.

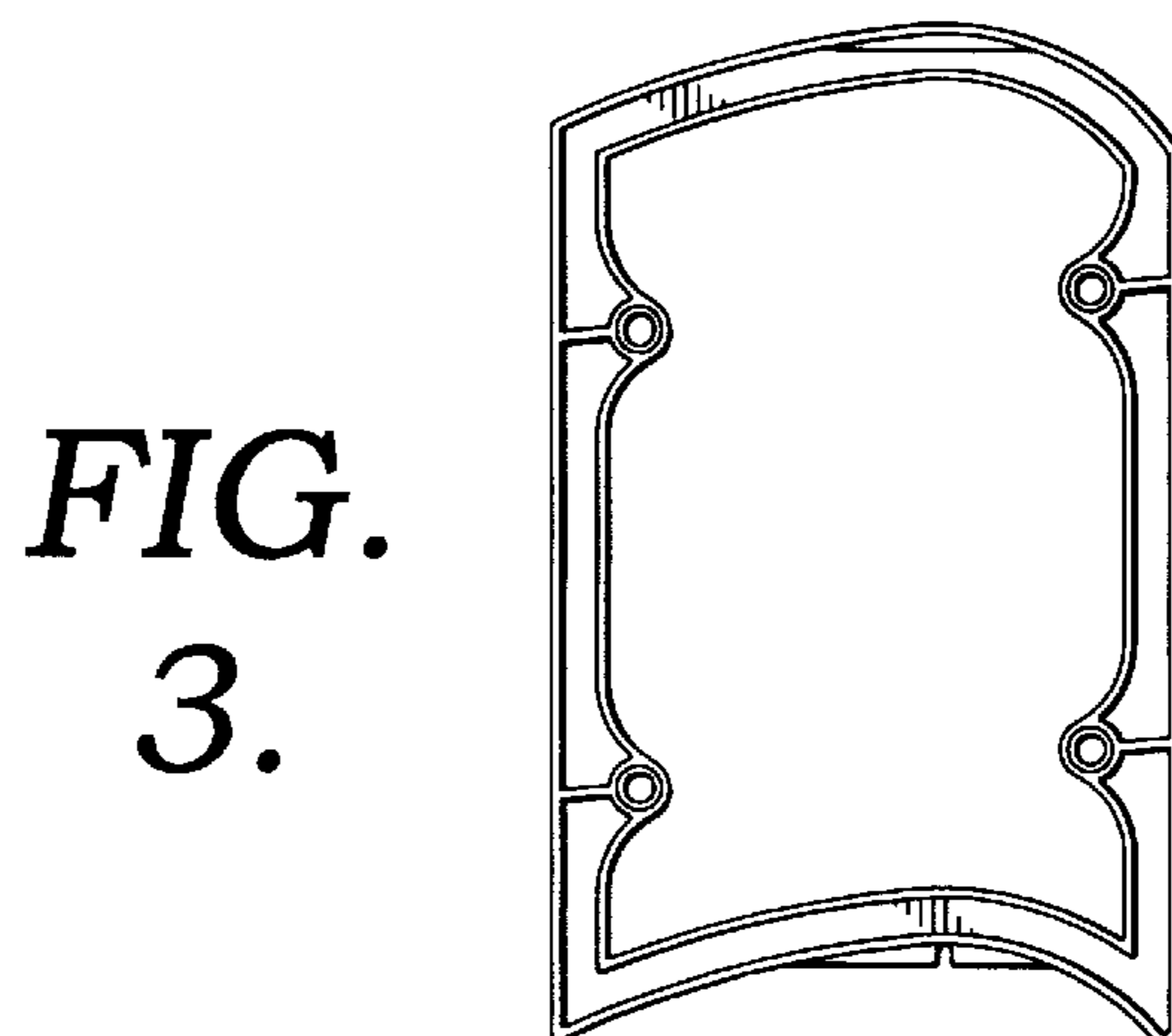


FIG.
3.

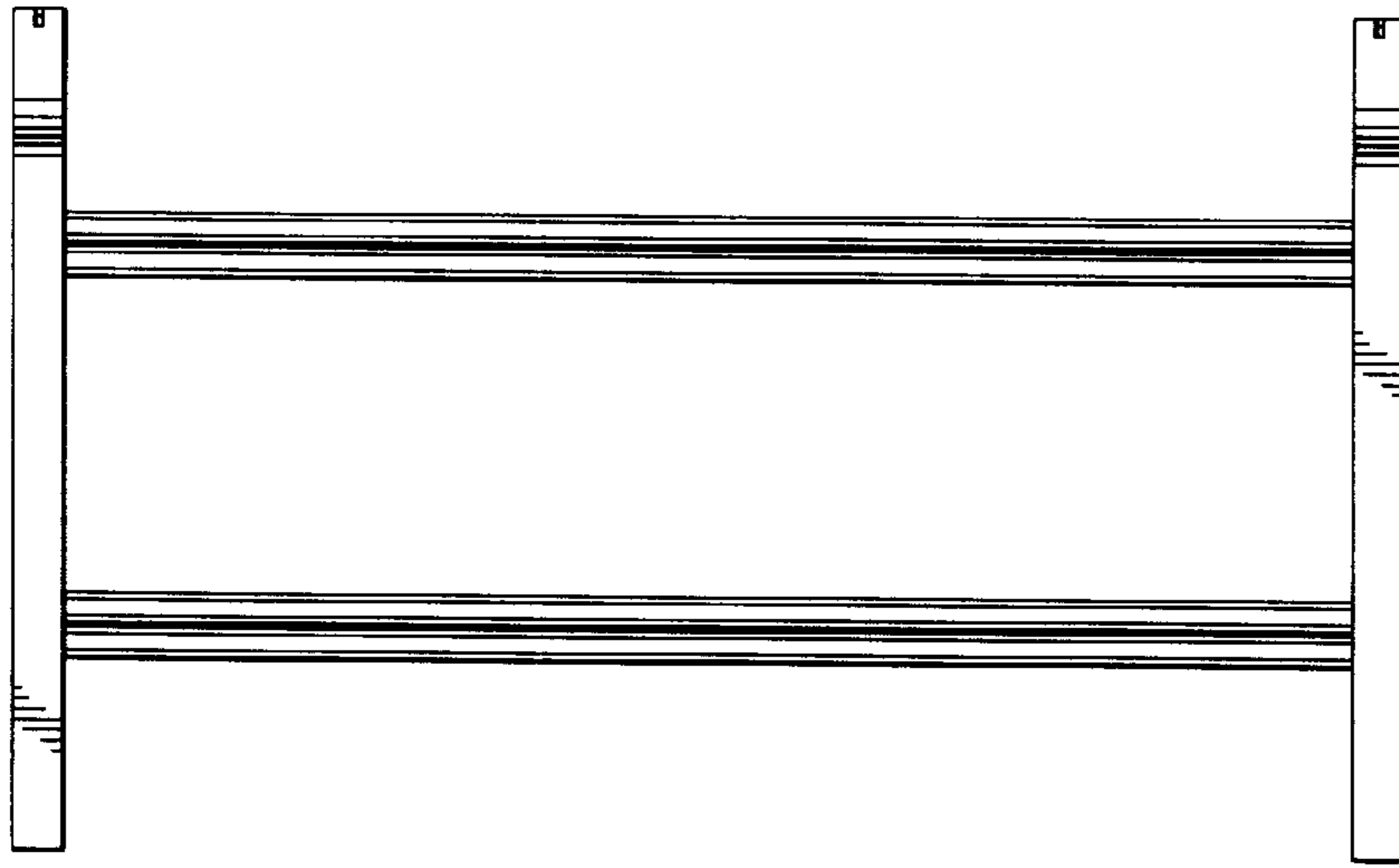


FIG.
4.

FIG.
5.

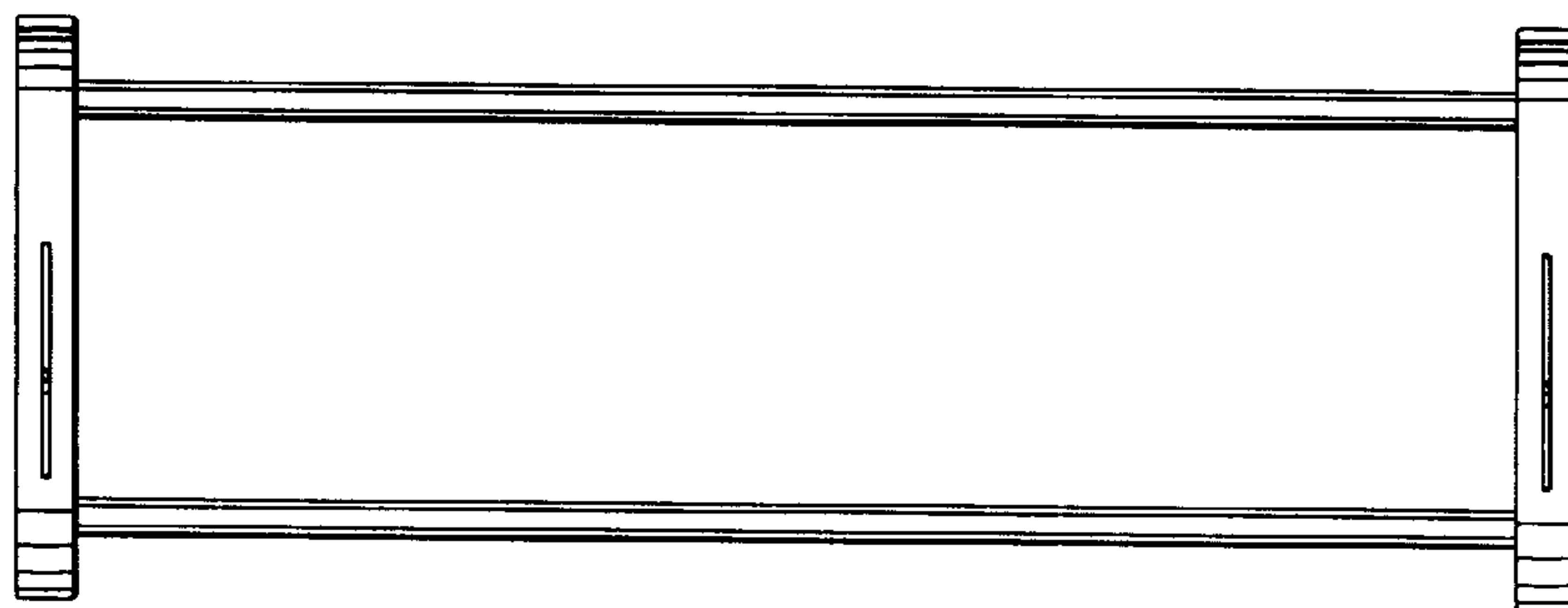
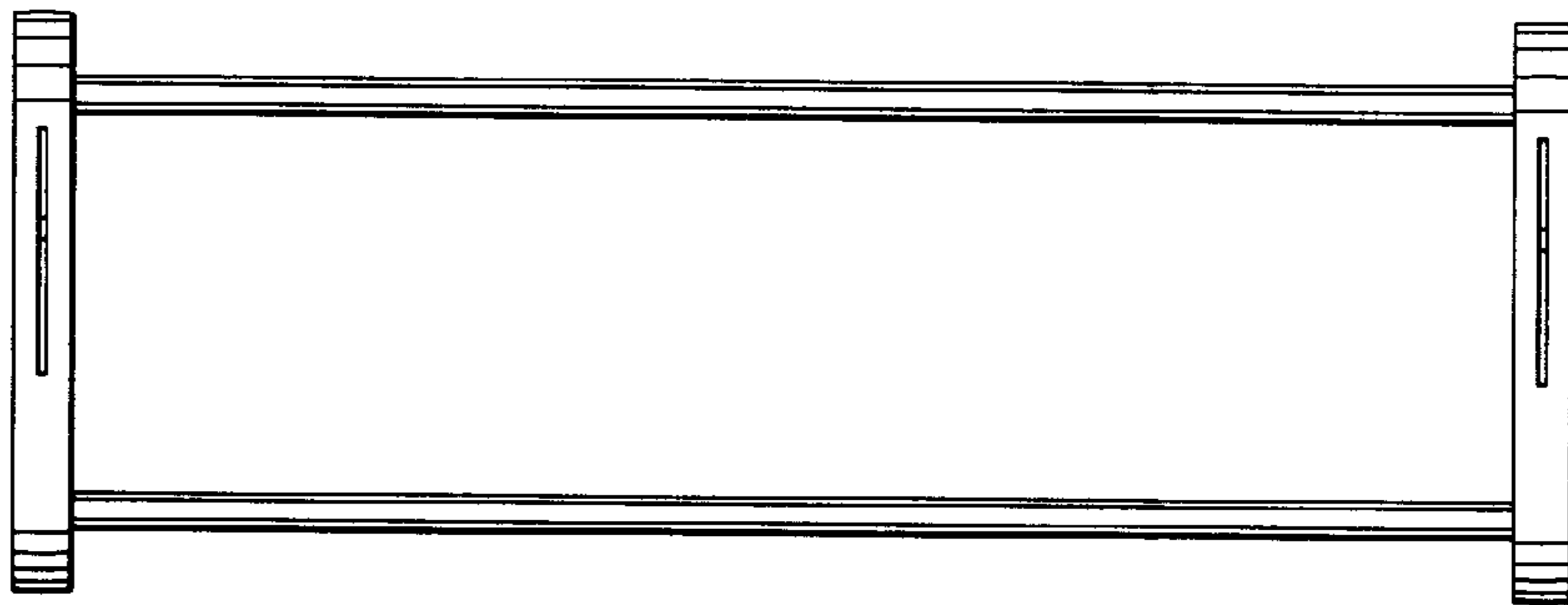


FIG.
6.