



US00D458766S

(12) **United States Design Patent**
Knudsen

(10) **Patent No.:** **US D458,766 S**

(45) **Date of Patent:** **** Jun. 18, 2002**

(54) **FOLDING AND ADJUSTABLE CHAIR**

(76) Inventor: **Morten Knudsen**, Gartnerveien 6b,
N-1394 Nesbru (NO)

(**) Term: **14 Years**

(21) Appl. No.: **29/147,440**

(22) Filed: **Aug. 29, 2001**

(30) **Foreign Application Priority Data**

Mar. 1, 2001 (NO) 2001 0133

(51) **LOC (7) Cl.** **06-01**

(52) **U.S. Cl.** **D6/367; D6/368**

(58) **Field of Search** D6/334, 367, 368,
D6/375, 376, 379, 500-502; 297/18, 24,
25, 351, 391, 411.29

(56) **References Cited**

U.S. PATENT DOCUMENTS

D158,059 S * 4/1950 Favila D6/368
3,154,344 A * 10/1964 Stableford 297/18

4,341,417 A * 7/1982 Deconinck 297/24
D301,944 S * 7/1989 Paing D6/368

* cited by examiner

Primary Examiner—Doris V. Coles

Assistant Examiner—Mimosa De

(74) *Attorney, Agent, or Firm*—Ladas & Parry

(57) **CLAIM**

The ornamental design for a folding and adjustable chair, as shown and described.

DESCRIPTION

FIG. 1 is a front perspective view of the new, folding and adjustable chair.

FIG. 2 is a front perspective view from above and one side of the chair.

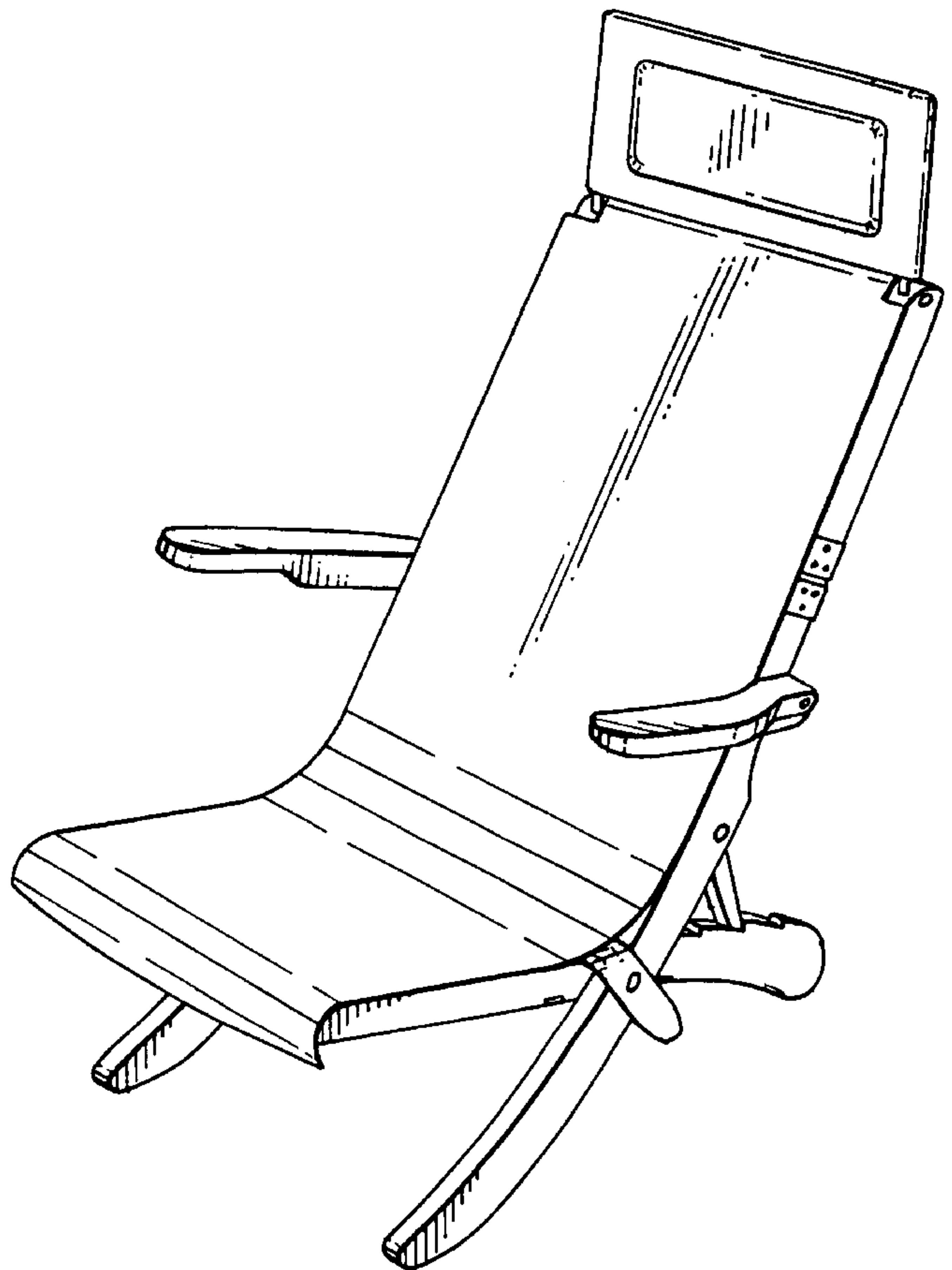
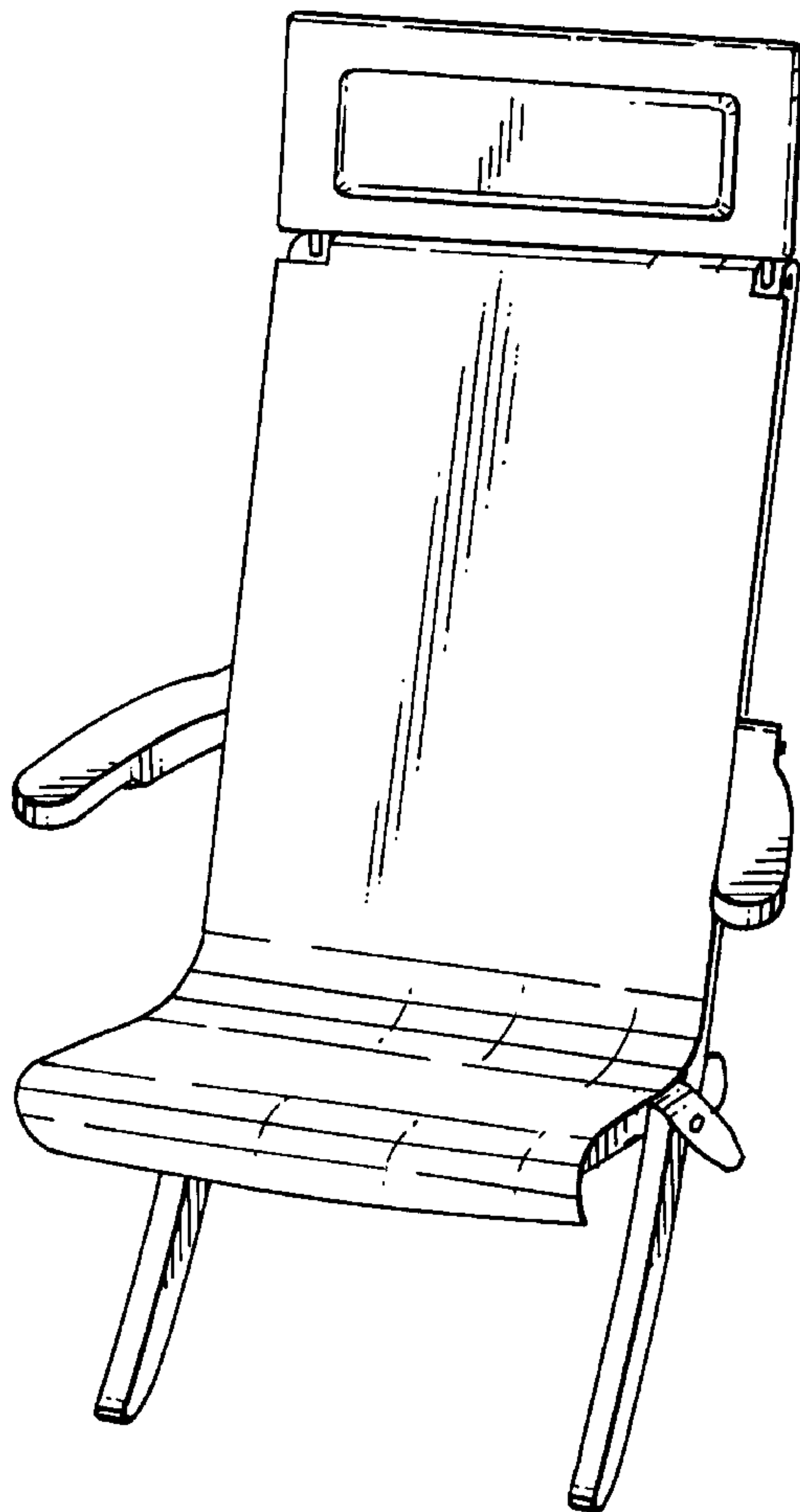
FIG. 3 is a side view from the other side of the chair.

FIG. 4 is a top plan view of the chair.

FIG. 5 is a front elevational view of the chair; and,

FIG. 6 is a rear elevational view of the chair.

1 Claim, 4 Drawing Sheets



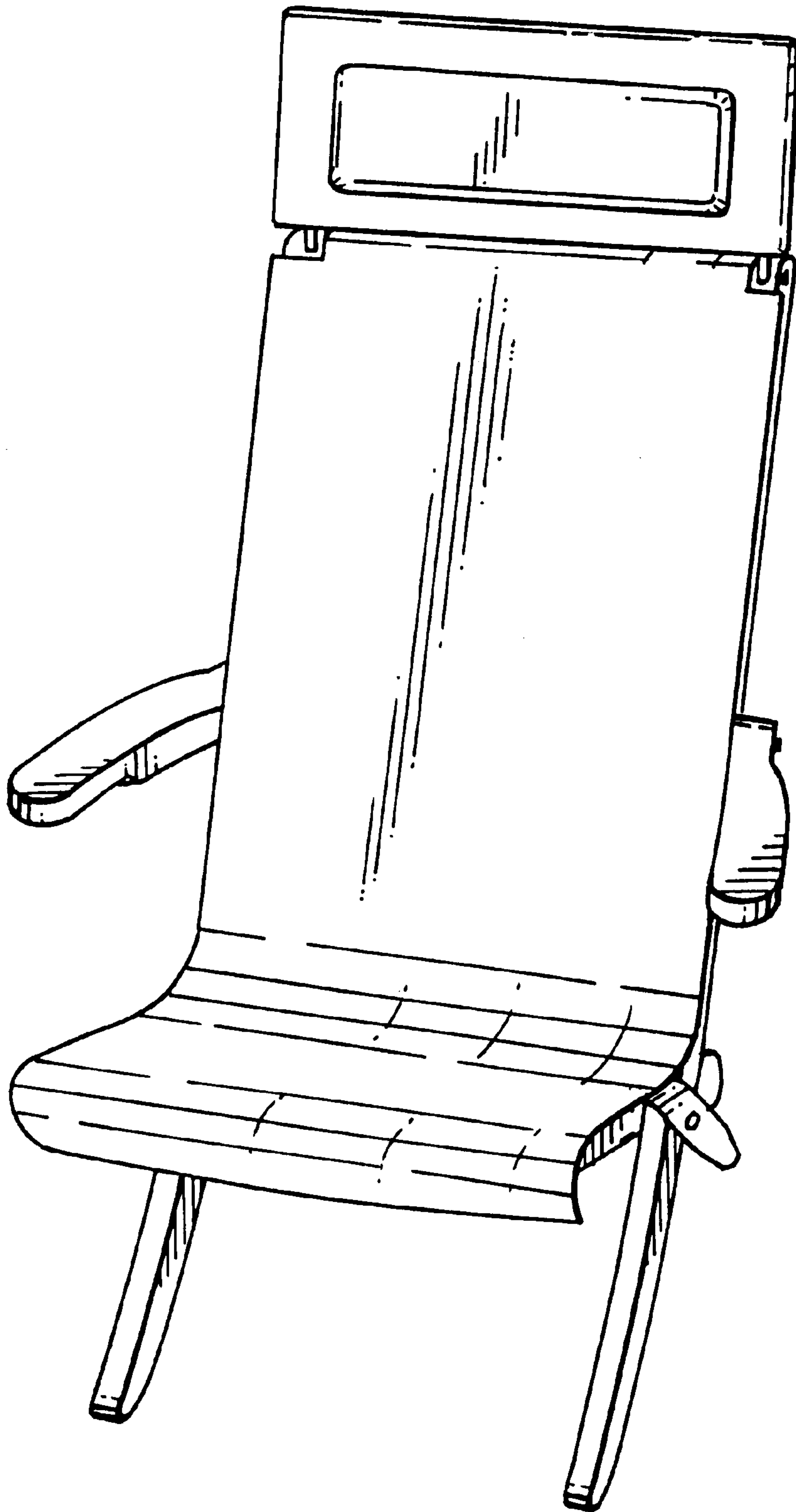


Fig. 1

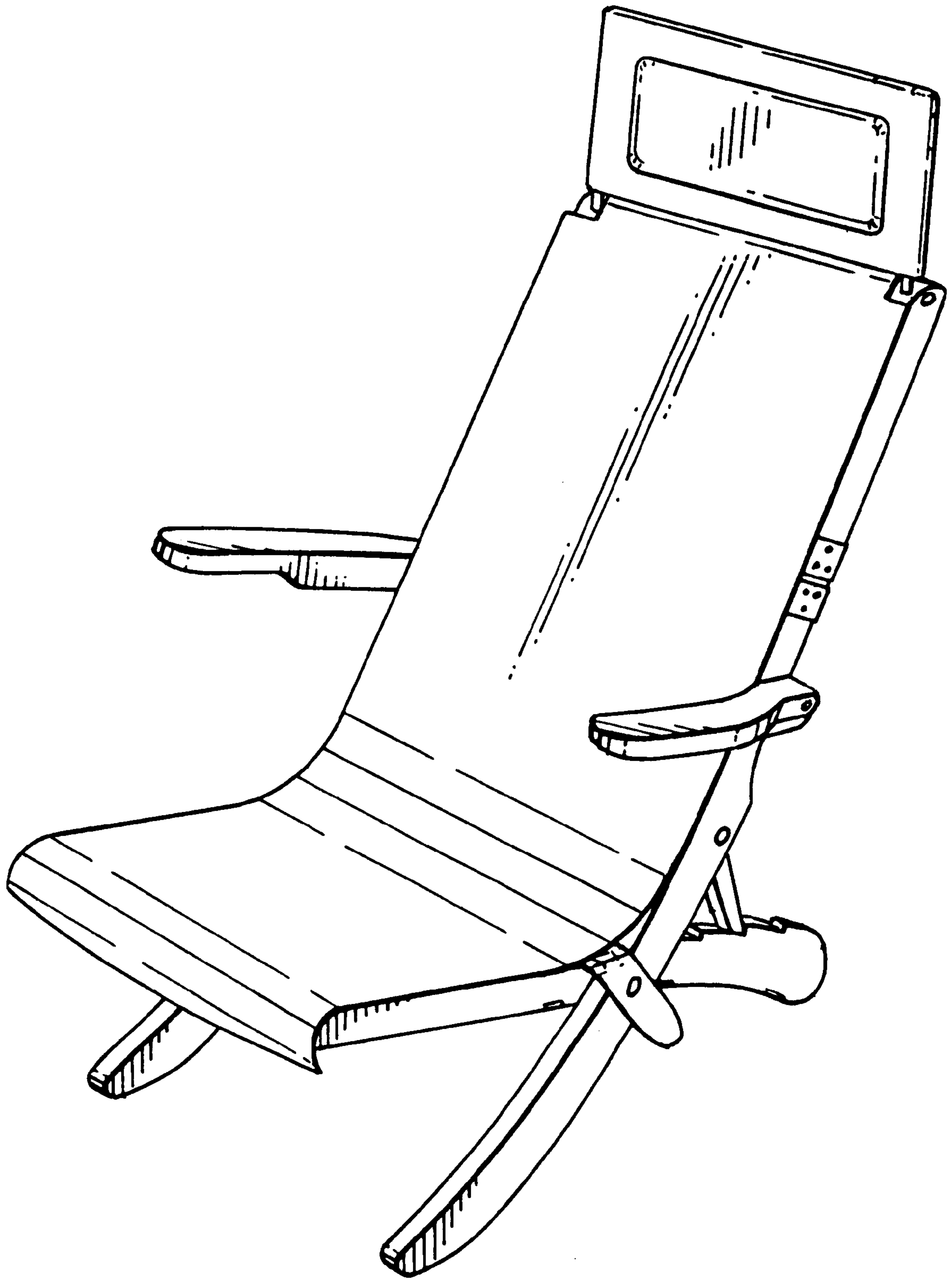


Fig.2

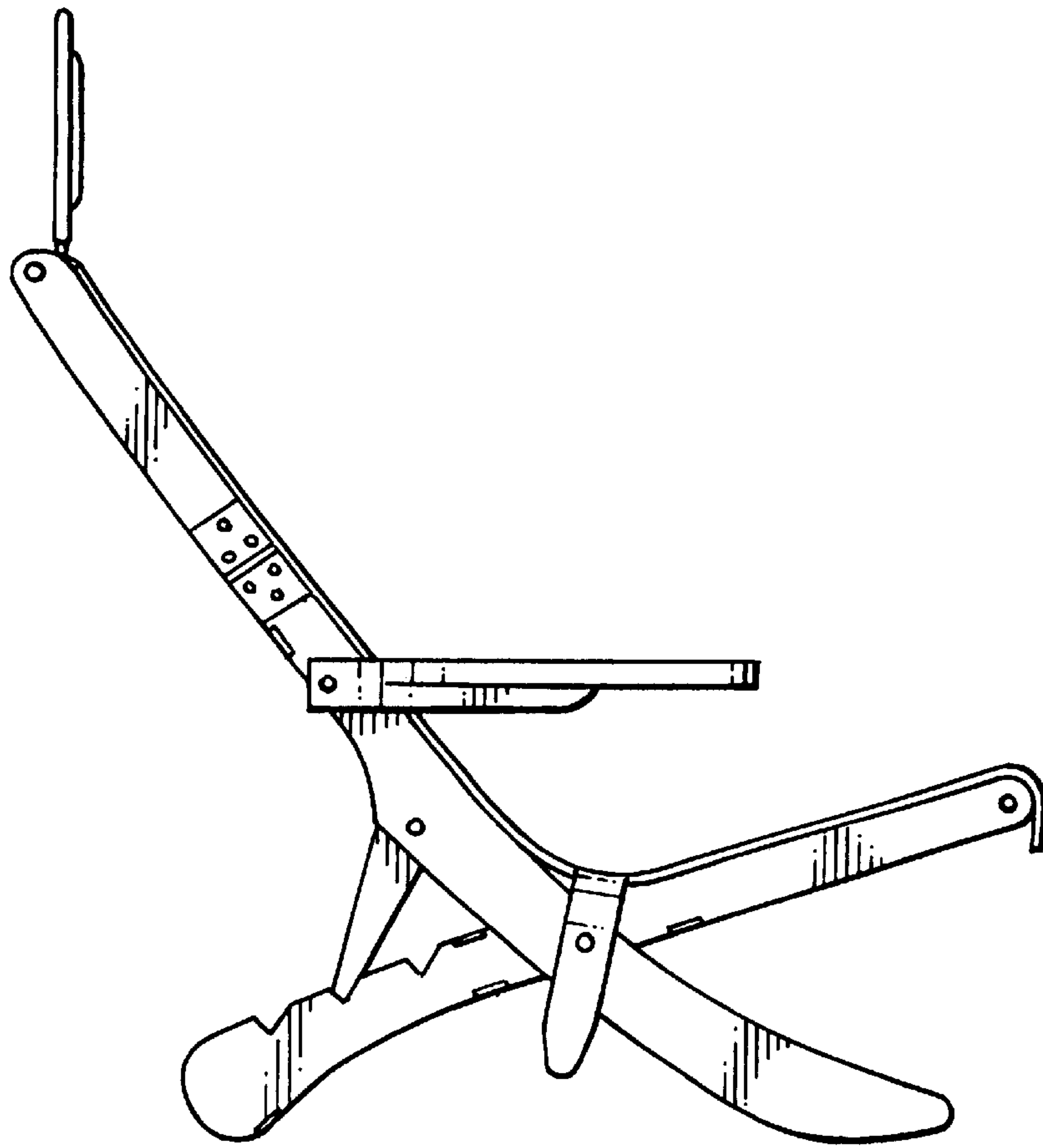


Fig.3

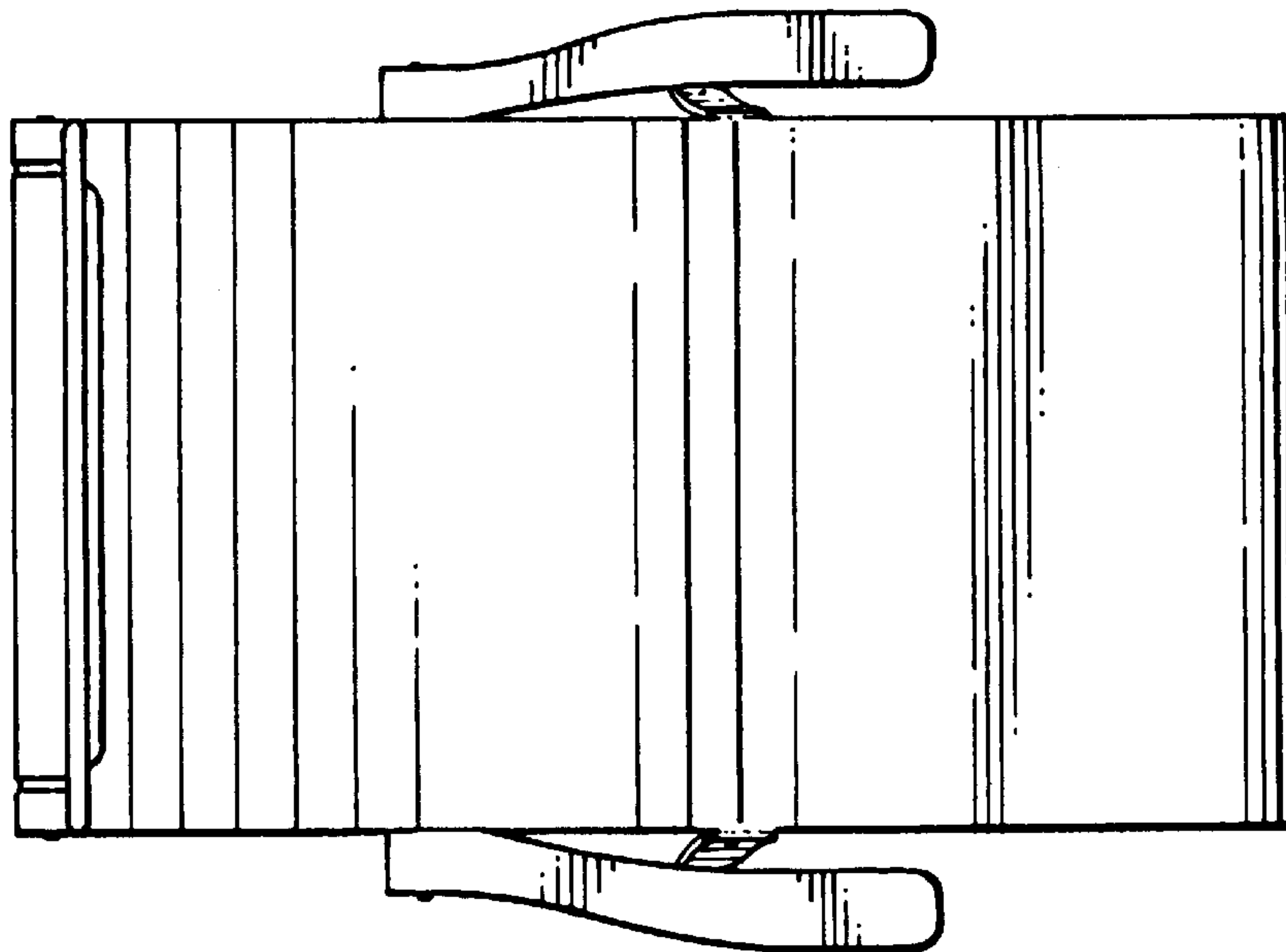


Fig.4

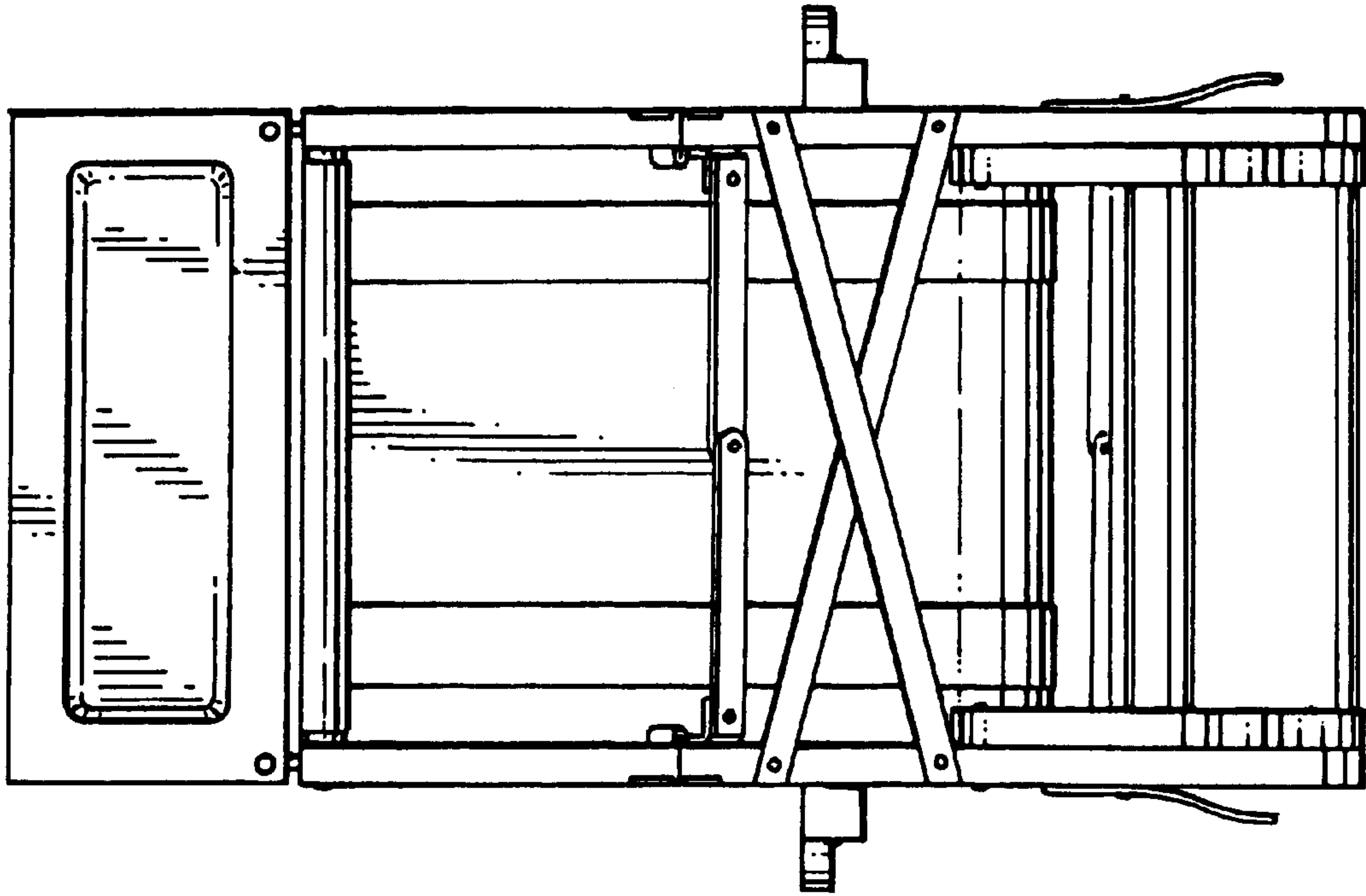


Fig.6

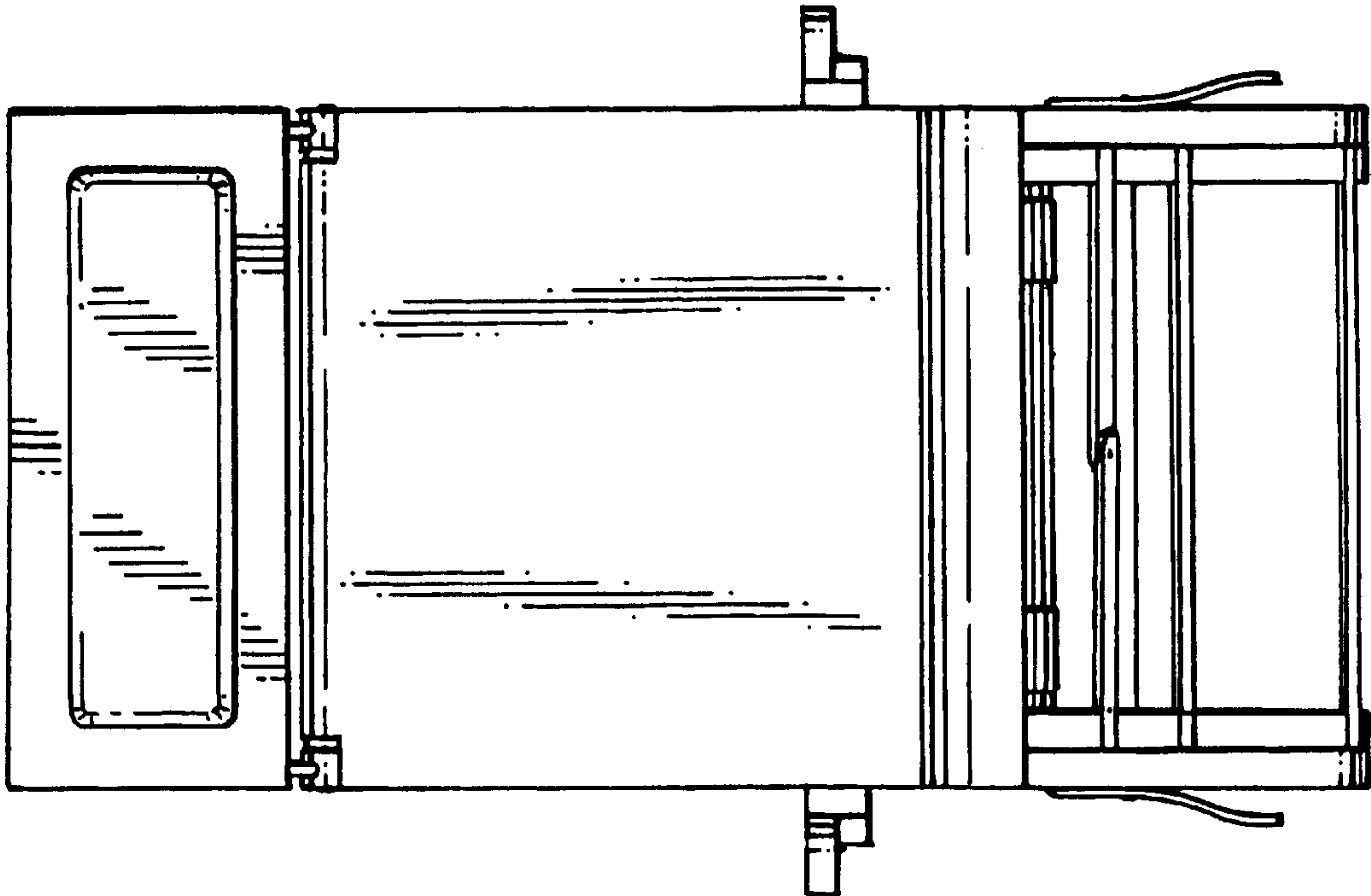


Fig.5