



US00D458765S

(12) **United States Design Patent**  
**Barbieri**

(10) **Patent No.:** **US D458,765 S**

(45) **Date of Patent:** **\*\* Jun. 18, 2002**

(54) **CHAIR HAVING AN ADJUSTABLE HEIGHT**

D433,854 S \* 11/2000 Diffrient ..... D6/502

(76) Inventor: **Raul Barbieri**, Via Pietro Custodi, 14 -  
20136, Milan (IT)

\* cited by examiner

(\*\*) Term: **14 Years**

*Primary Examiner*—Doris V. Coles

*Assistant Examiner*—Mimosa De

(74) *Attorney, Agent, or Firm*—Steinberg & Raskin, P.C.

(21) Appl. No.: **29/143,056**

(22) Filed: **Jun. 6, 2001**

(57) **CLAIM**

(30) **Foreign Application Priority Data**

I claim the ornamental design for a chair having an adjustable height, as shown and described.

Mar. 15, 2001 (XH) ..... DM/055808

**DESCRIPTION**

(51) **LOC (7) Cl.** ..... **06-01**

(52) **U.S. Cl.** ..... **D6/367; D6/349; D6/354**

(58) **Field of Search** ..... D6/334, 335, 340,  
D6/349, 351, 353, 354, 355, 366, 360,  
500-502; 297/195.1, 195.11, 156, 219.11

FIG. 1 is a perspective view of a chair having an adjustable height showing my new design in a lowered position;

FIG. 2 is a right side elevational view of FIG. 1;

FIG. 3 is a rear elevational view of FIG. 1;

FIG. 4 is a left side elevational view of FIG. 1;

FIG. 5 is a front elevational view of FIG. 1;

FIG. 6 is a top plan view of FIG. 1;

FIG. 7 is a bottom plan view of FIG. 1;

FIG. 8 is a perspective view of a chair having an adjustable height showing my new design in a raised position;

FIG. 9 is a right side elevational view of FIG. 8;

FIG. 10 is a rear elevational view FIG. 8;

FIG. 11 is a left side elevational view FIG. 8;

FIG. 12 is a front elevational view FIG. 8;

FIG. 13 is a top plan view FIG. 8; and,

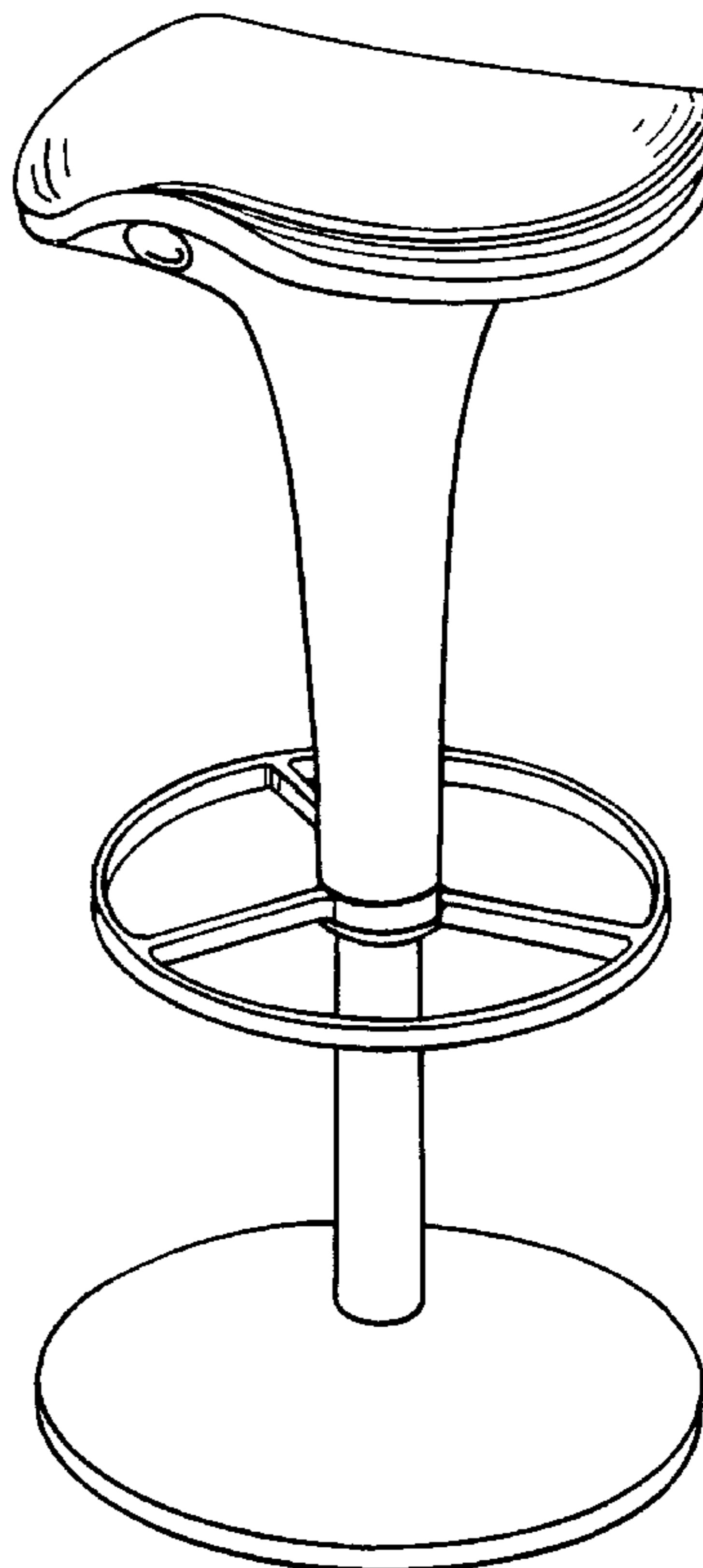
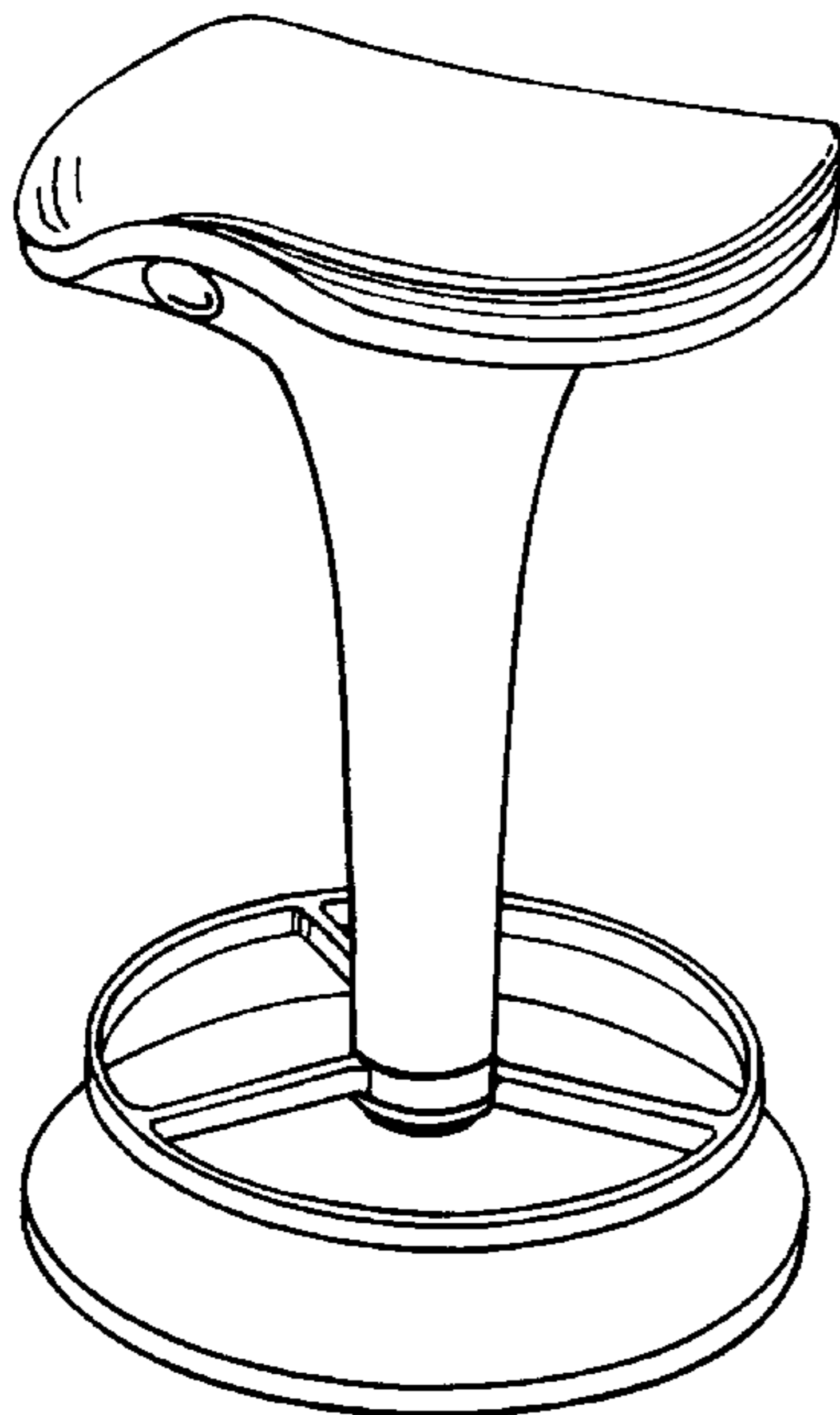
FIG. 14 is a bottom plan view FIG. 8.

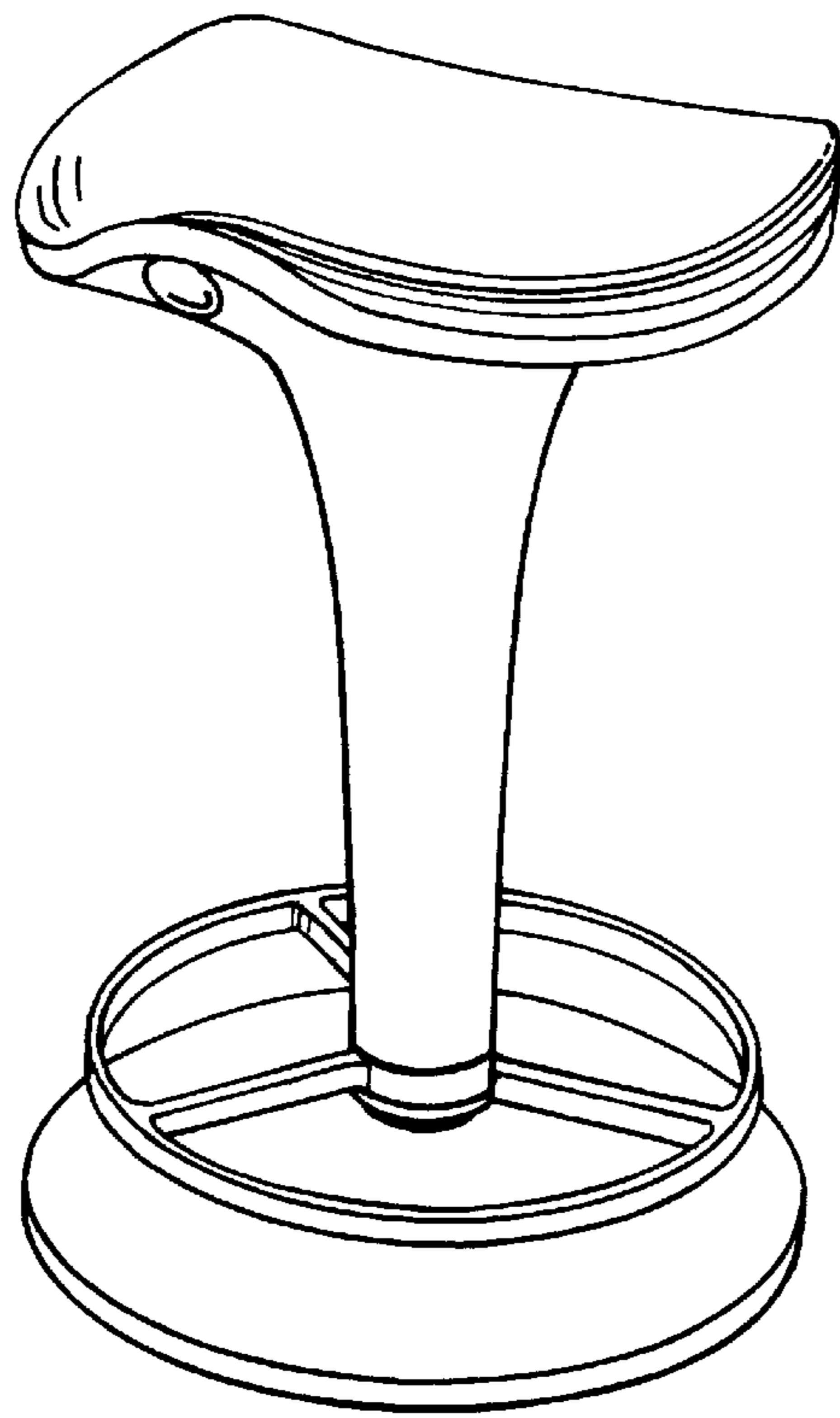
(56) **References Cited**

**U.S. PATENT DOCUMENTS**

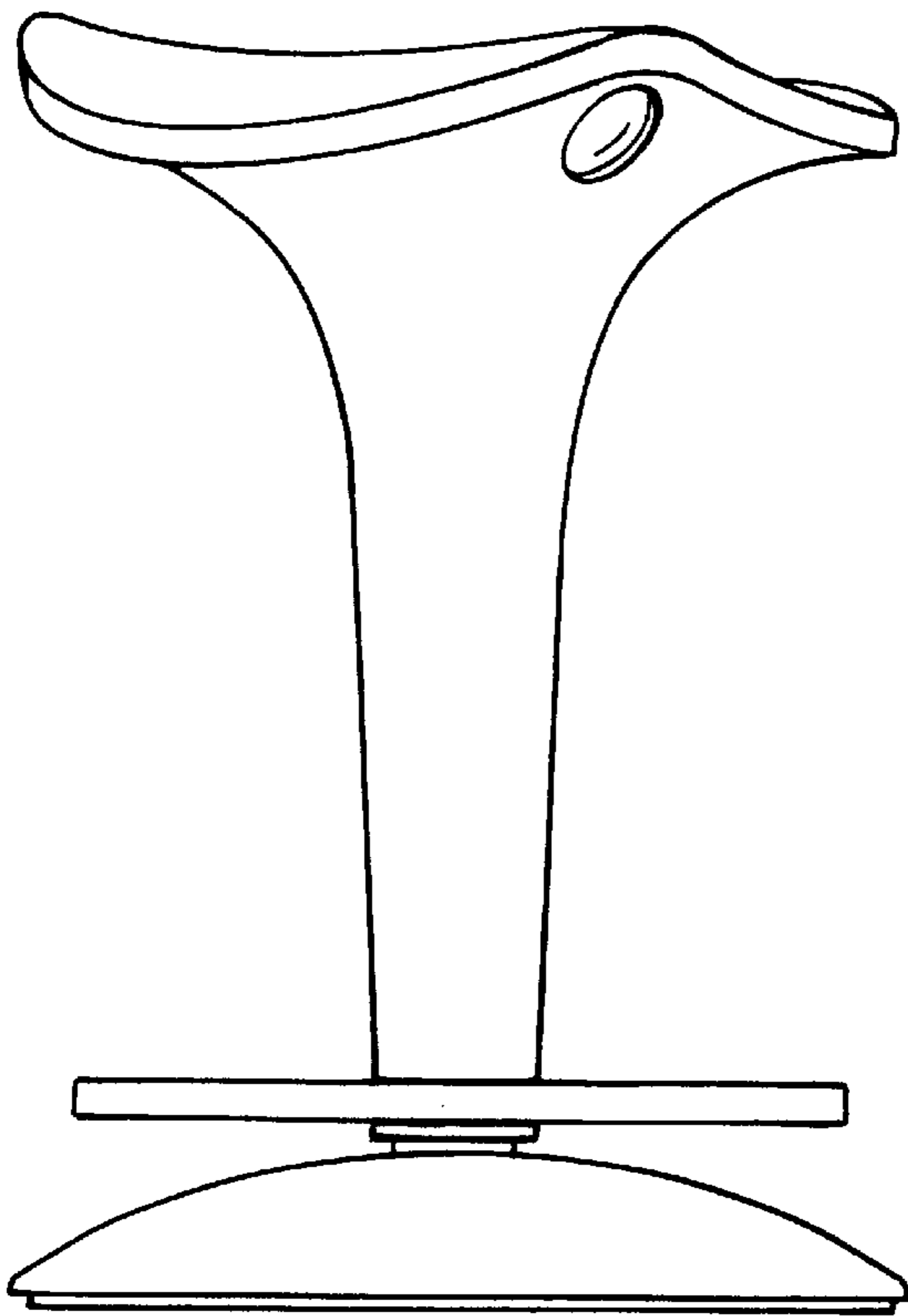
- 635,234 A \* 10/1899 Chance ..... 297/195.11
- D47,966 S \* 10/1915 Reischmann ..... D6/349
- 4,130,263 A \* 12/1978 Roericht ..... 297/195.11
- D261,450 S \* 10/1981 Jenkins ..... D6/354
- D266,037 S \* 9/1982 Helghberger ..... D6/349
- D274,958 S \* 8/1984 Aronowitz et al. .... D6/360
- D275,155 S \* 8/1984 Carlin ..... D6/353
- D275,156 S \* 8/1984 Carlin ..... D6/354
- D283,856 S \* 5/1986 Elmaleh ..... D6/349
- D342,850 S \* 1/1994 Slicker et al. .... D6/502

**1 Claim, 5 Drawing Sheets**

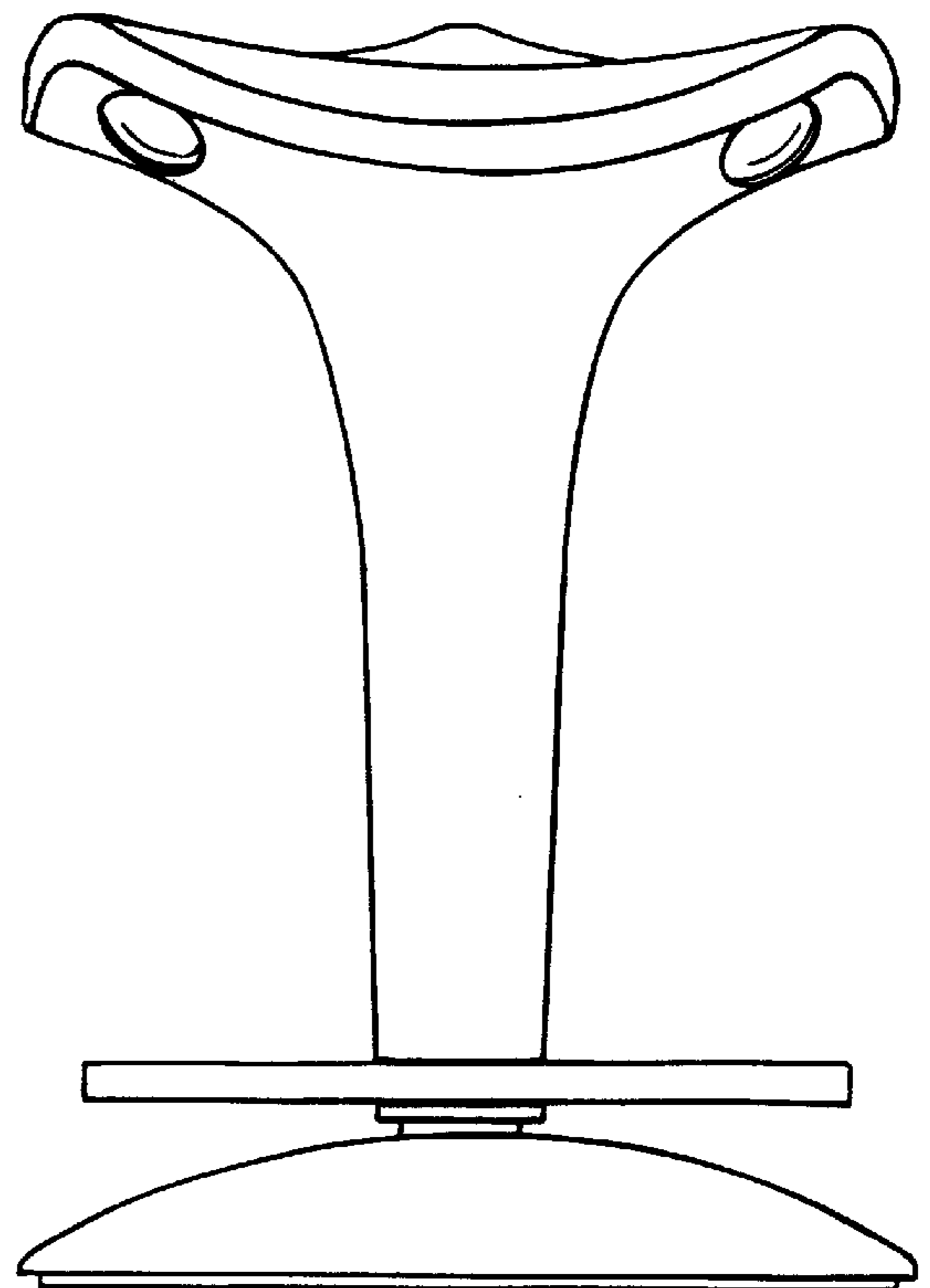




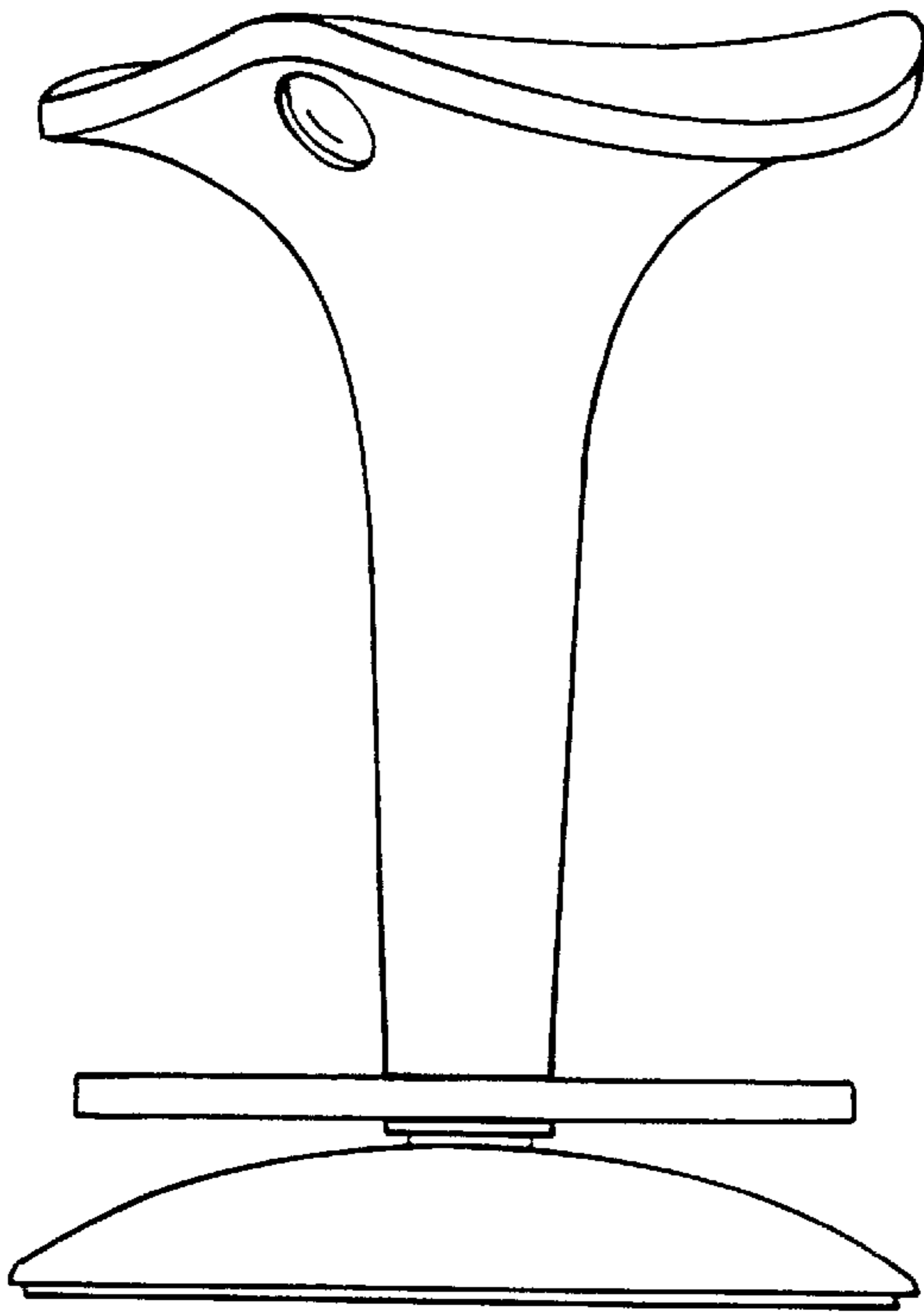
*FIG. 1*



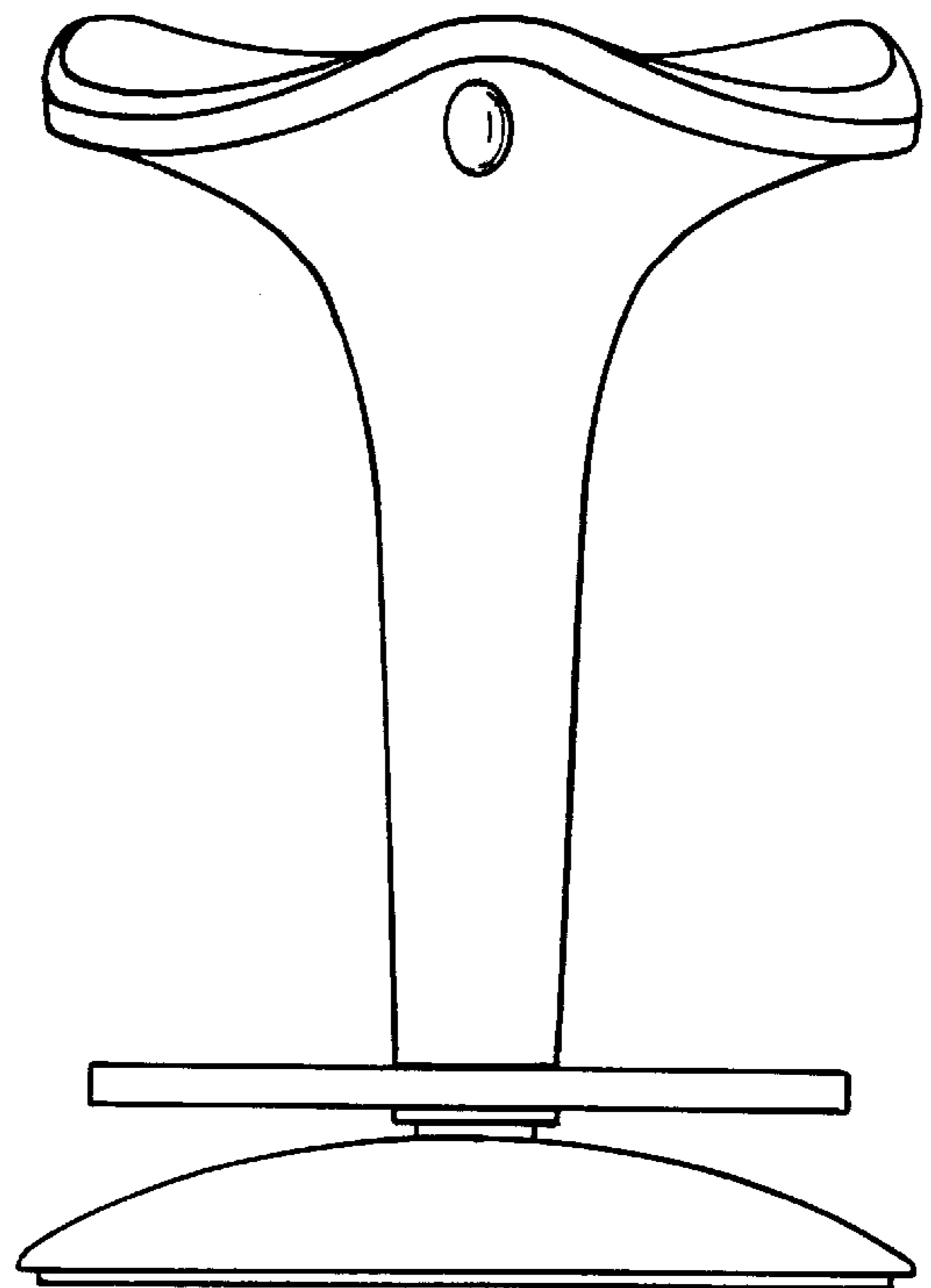
*FIG. 2*



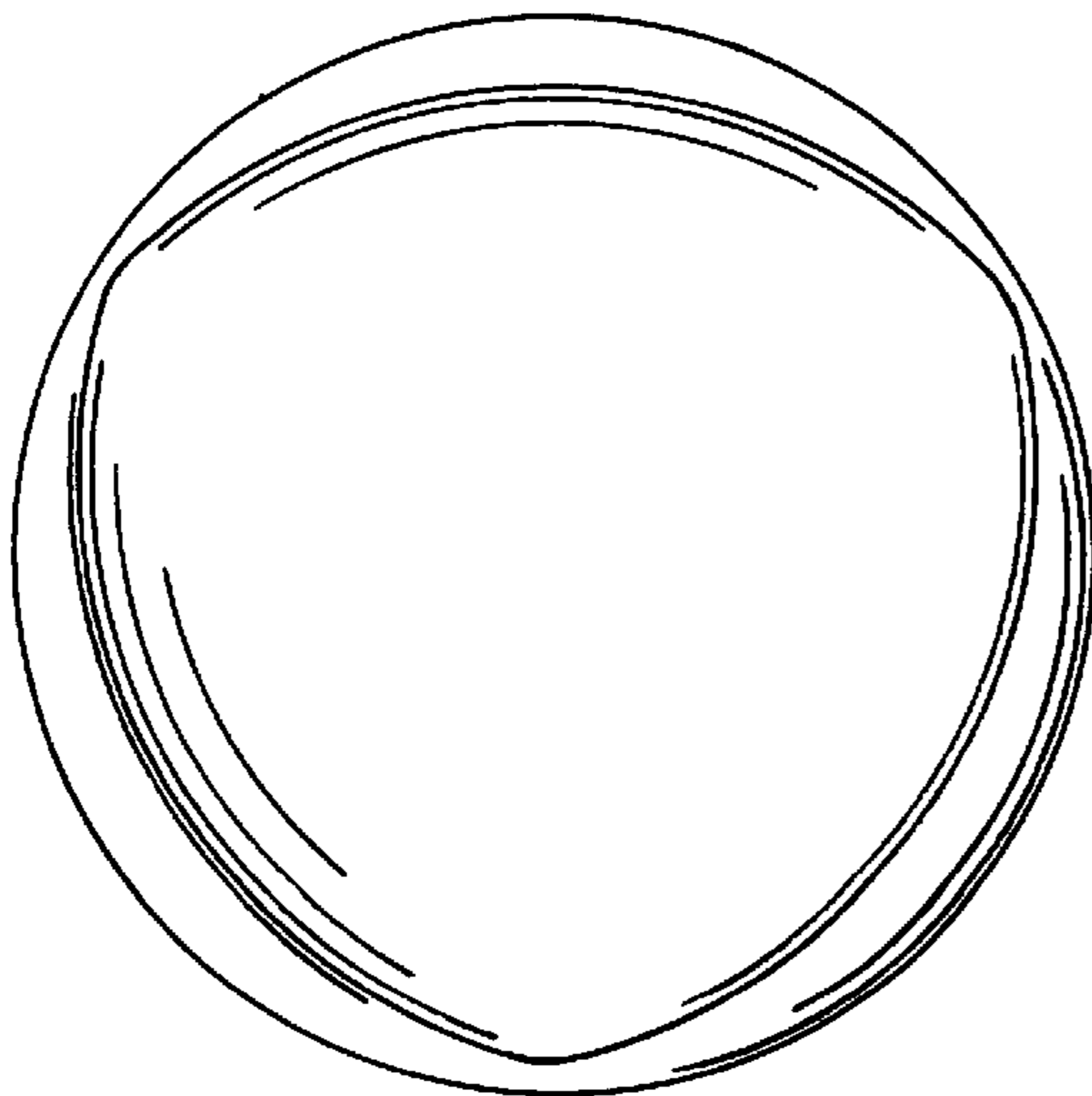
*FIG. 3*



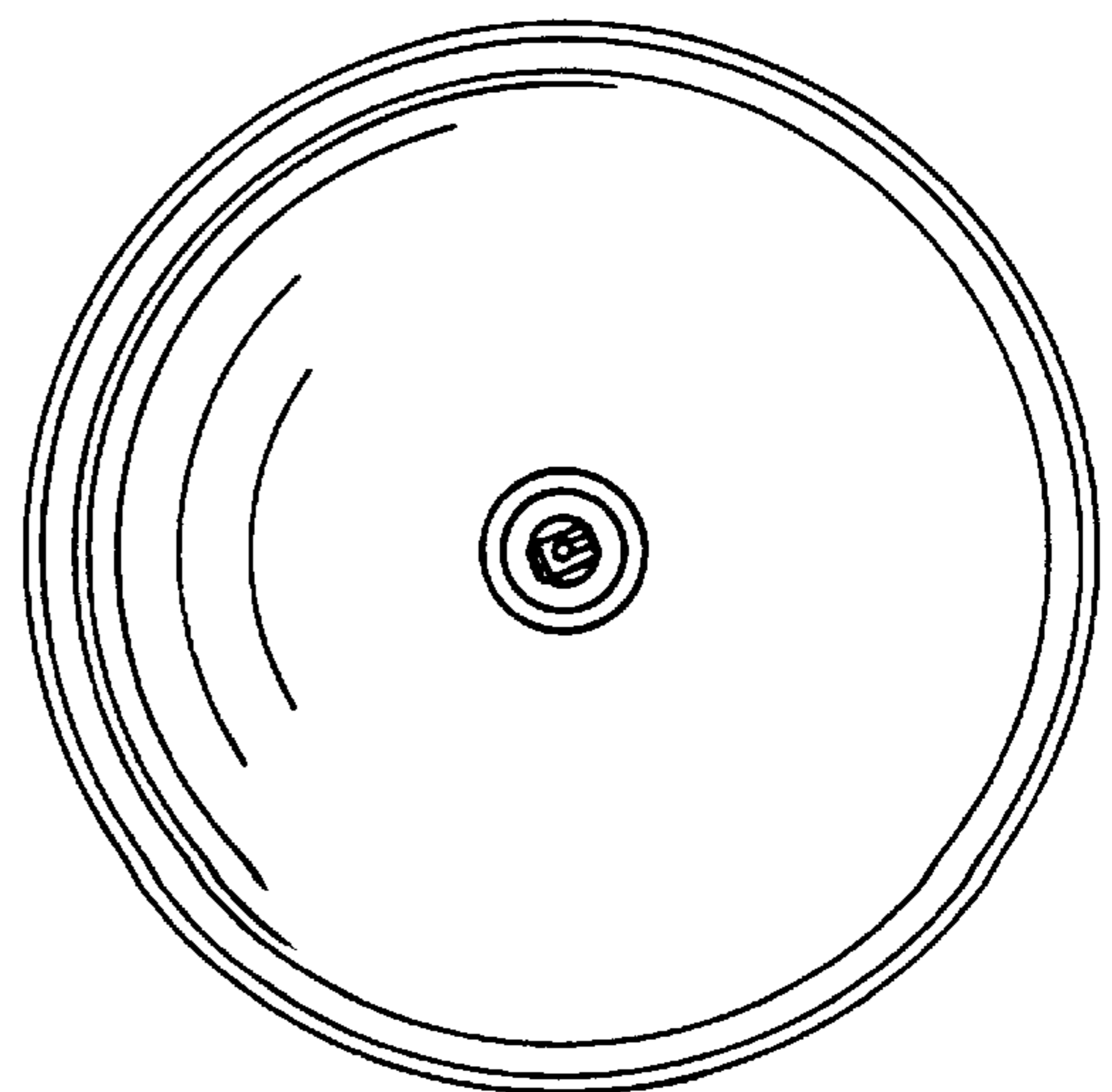
*FIG. 4*



*FIG. 5*

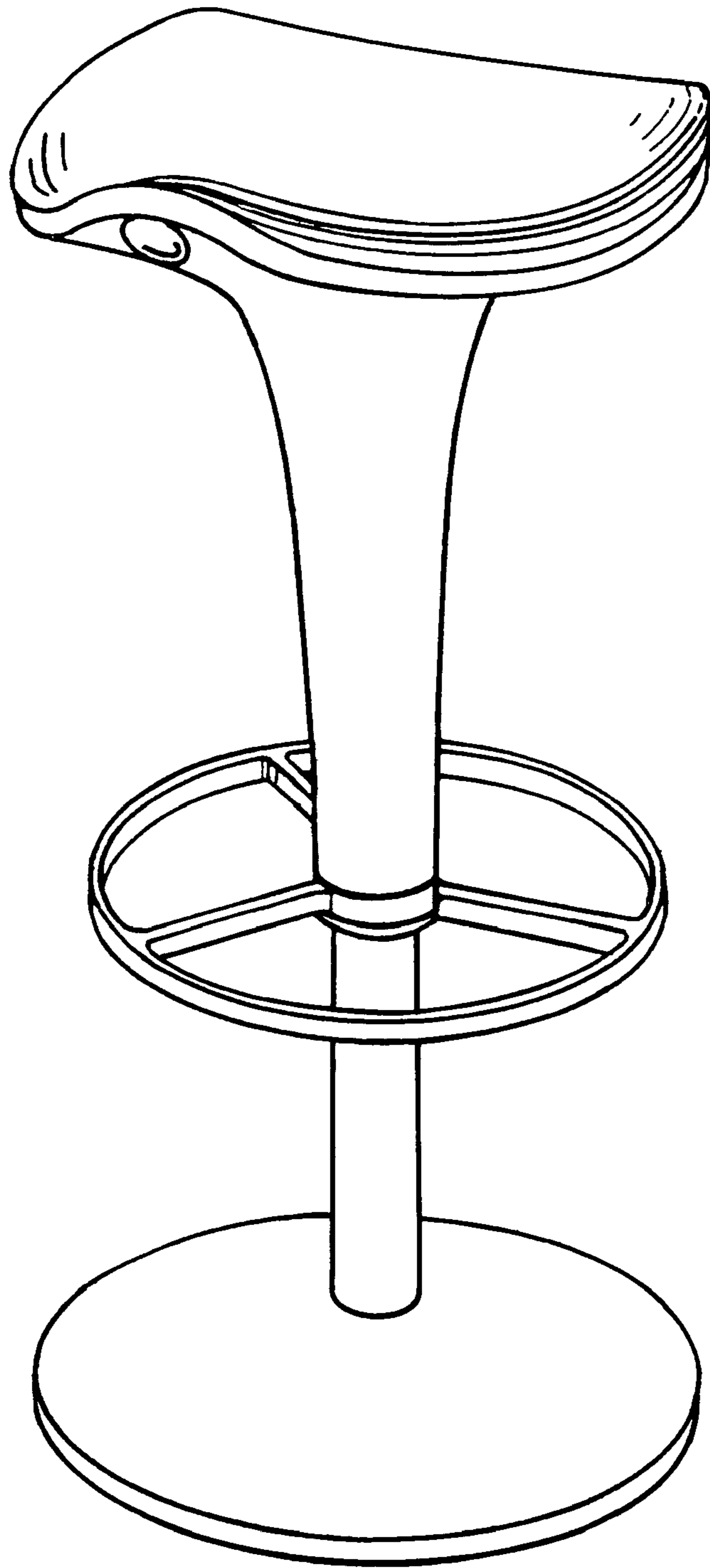


*FIG. 6*

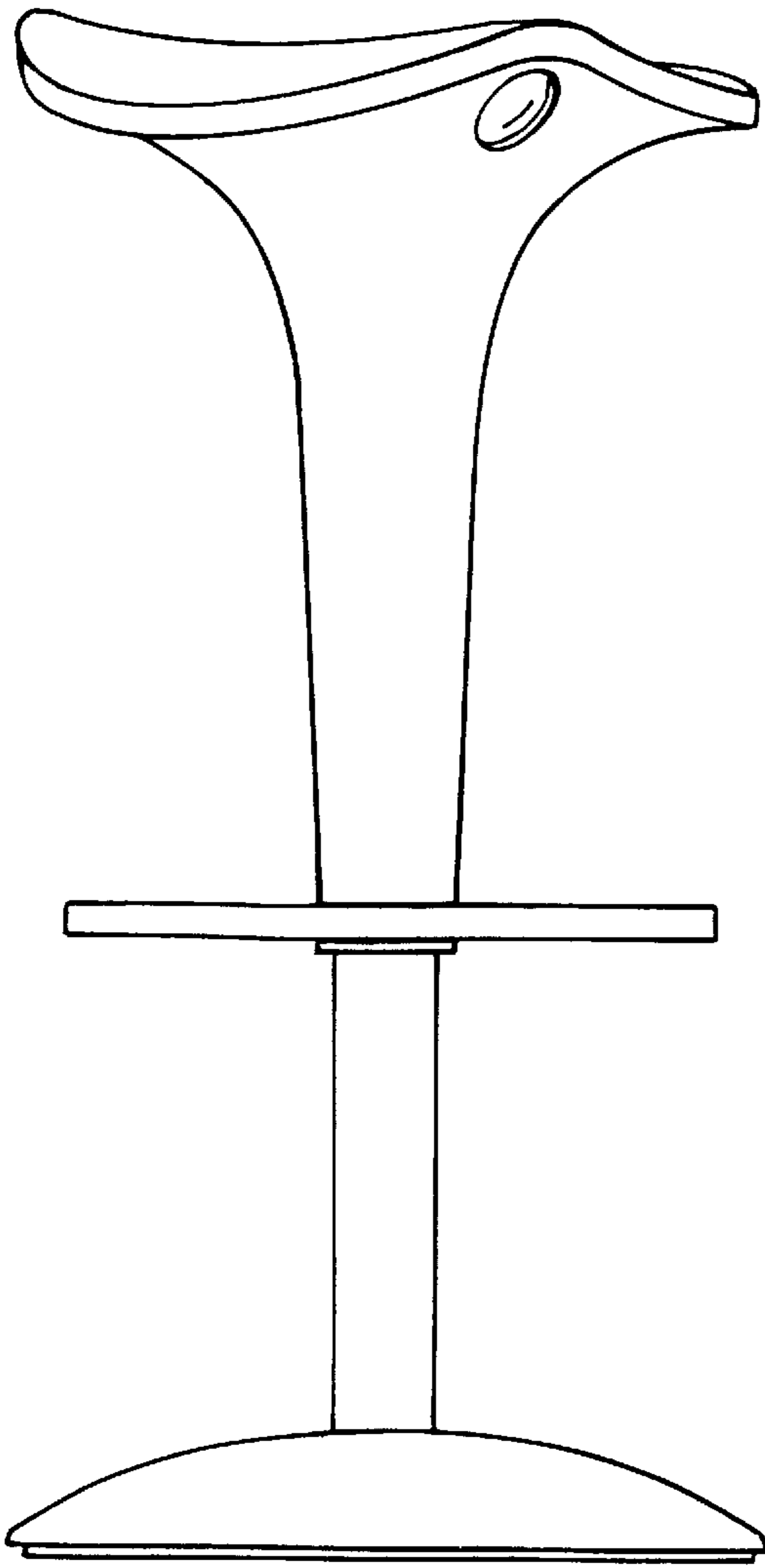


*FIG. 7*

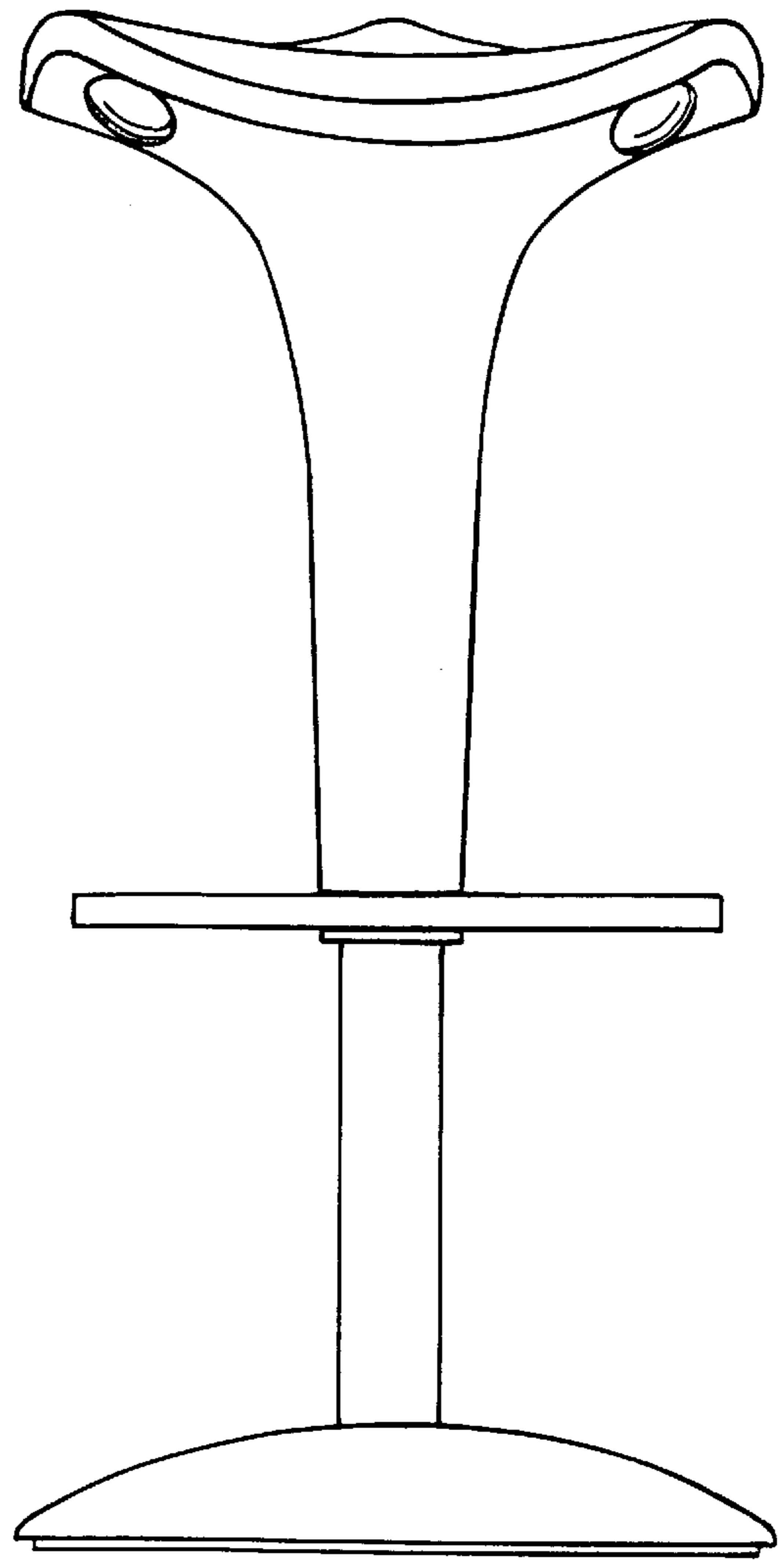
FIG. 4



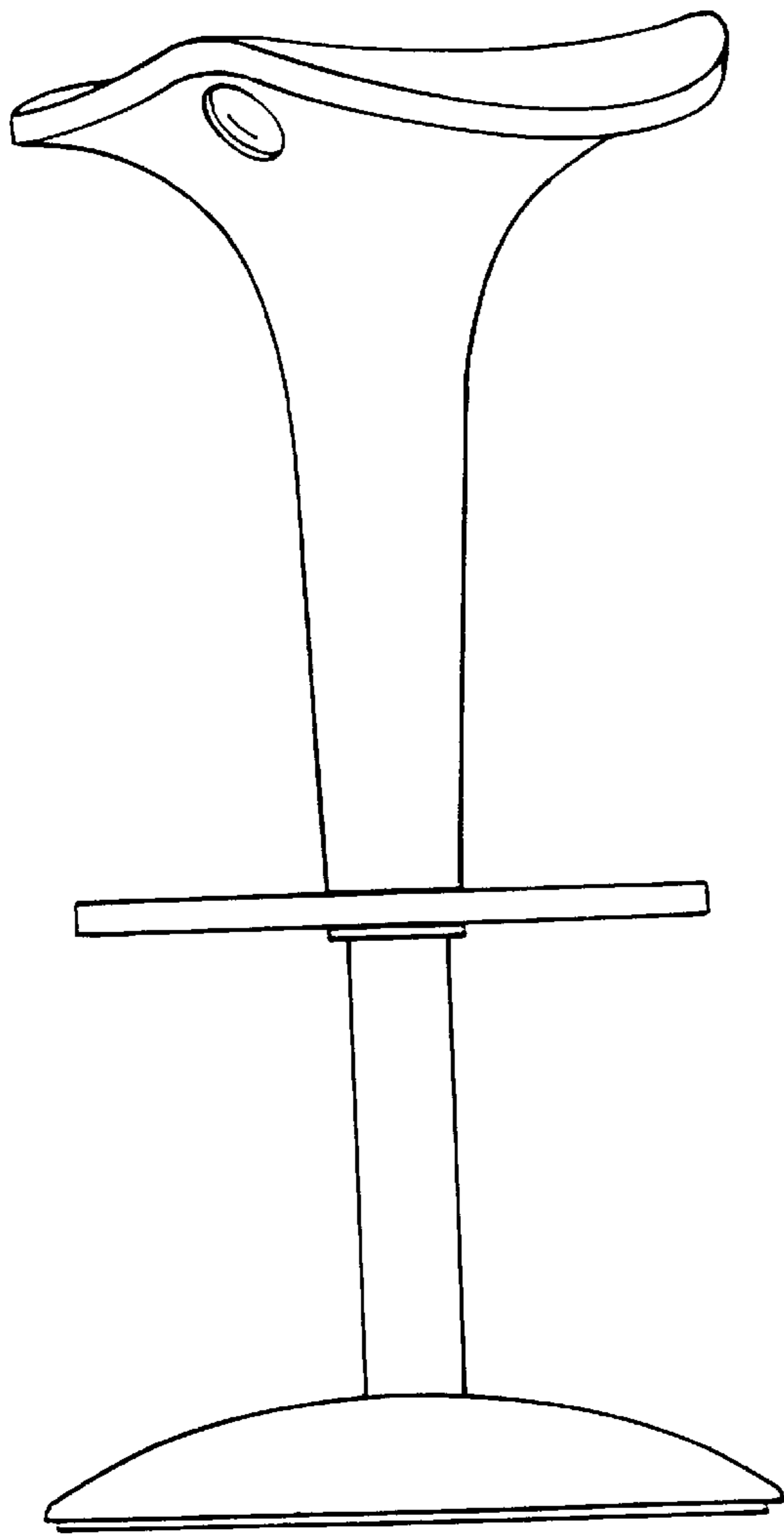
**FIG. 8**



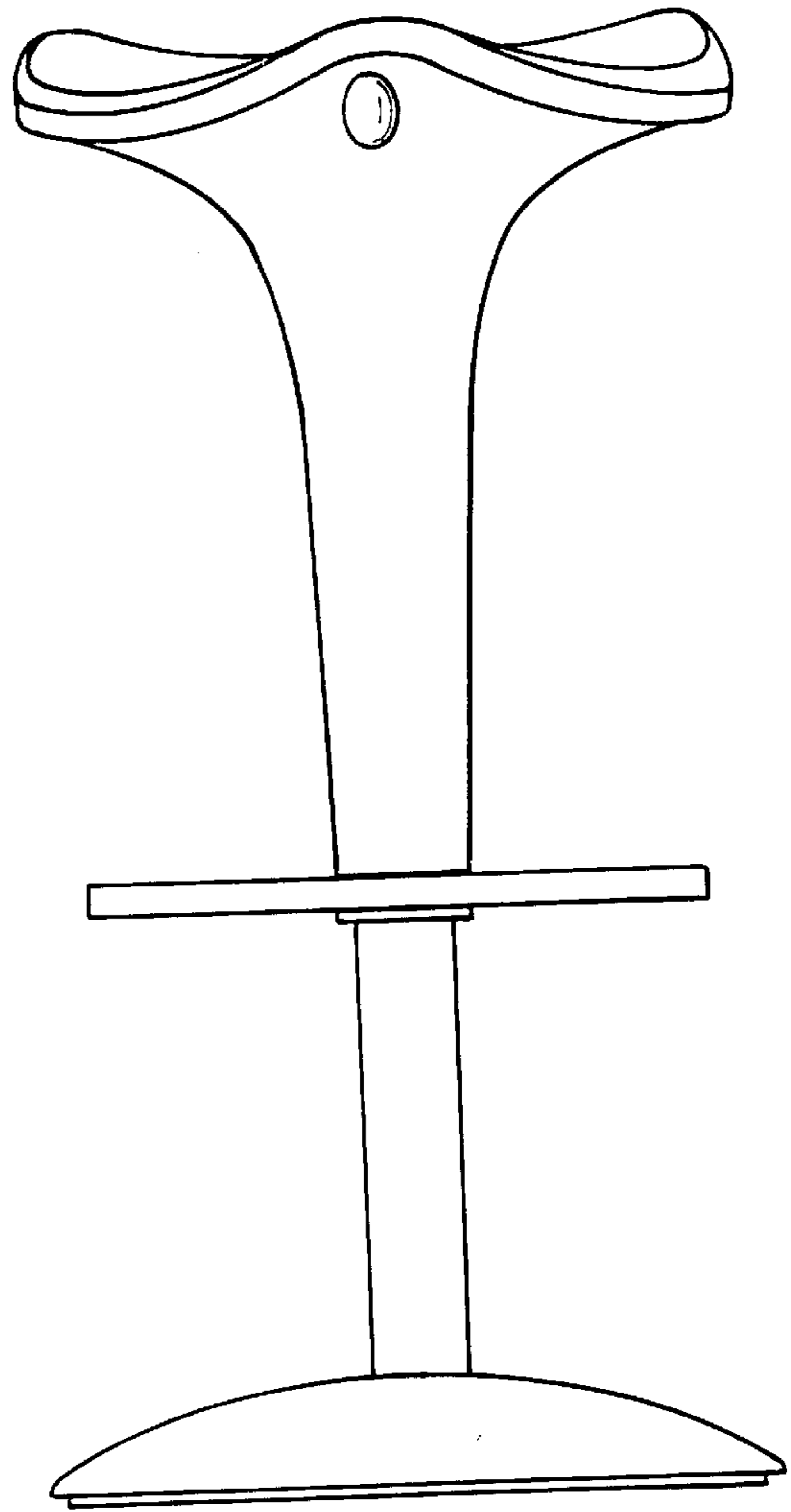
*FIG. 9*



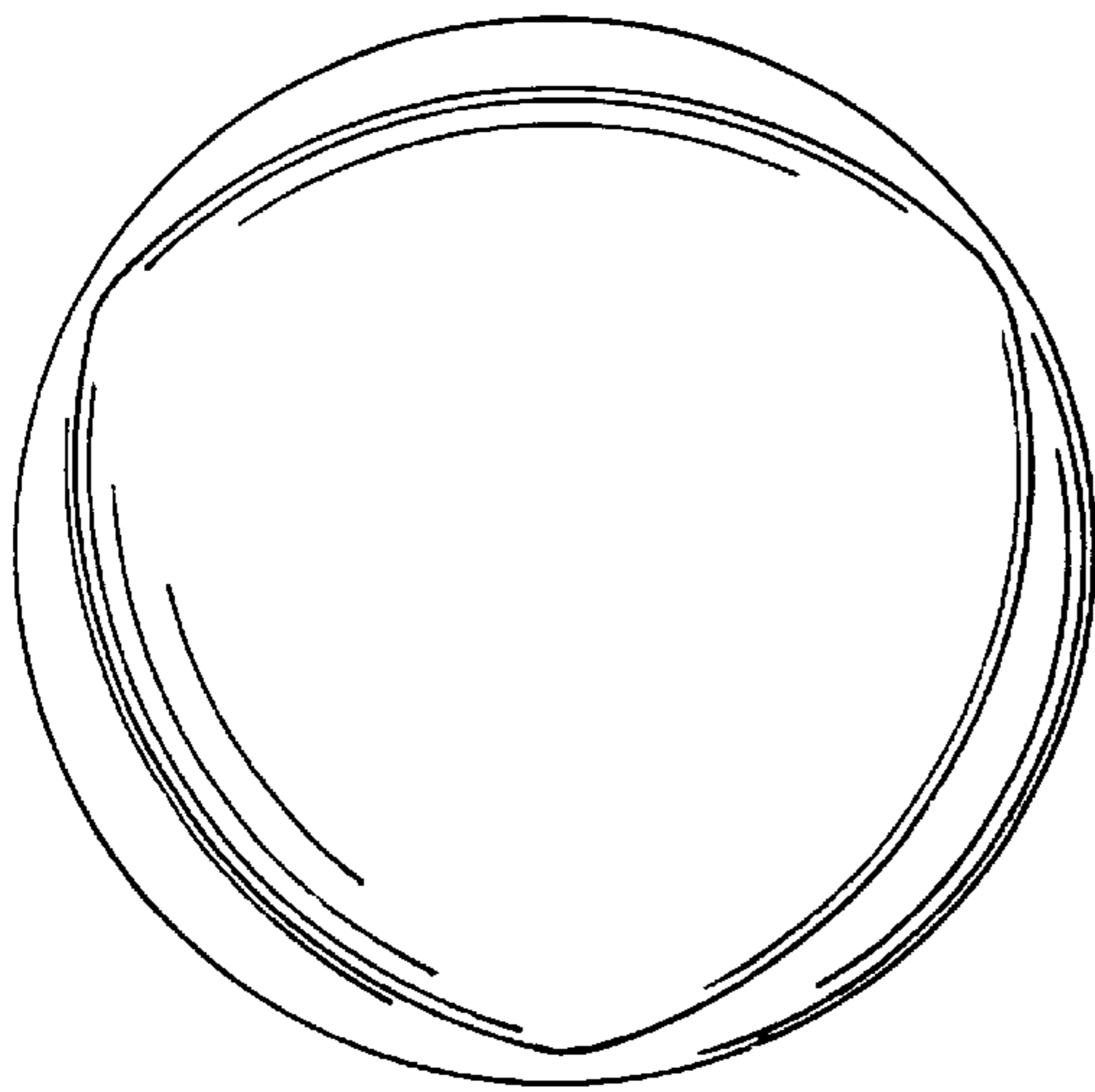
*FIG. 10*



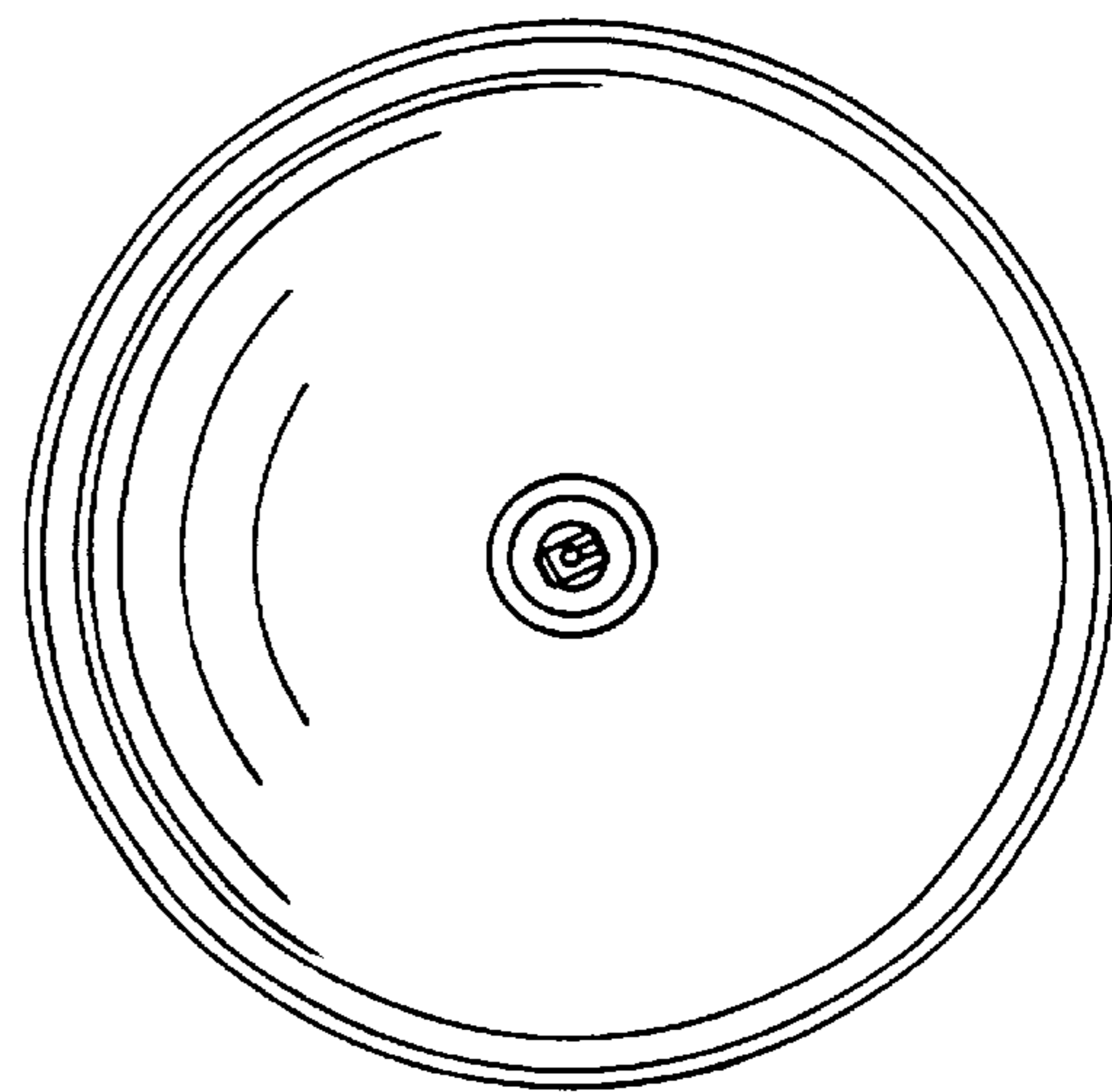
*FIG. 11*



*FIG. 12*



*FIG. 13*



*FIG. 14*